

US00D762191S

(12) **United States Design Patent**
Levine

(10) **Patent No.:** **US D762,191 S**
(45) **Date of Patent:** **** Jul. 26, 2016**

- (54) **EAR COVER FRAME PORTION OF A HEADPHONE DEVICE**
- (71) Applicant: **New Audio LLC**, New York, NY (US)
- (72) Inventor: **Jonathan E. Levine**, New York, NY (US)
- (73) Assignee: **New Audio LLC**, New York, NY (US)
- (**) Term: **14 Years**
- (21) Appl. No.: **29/520,928**
- (22) Filed: **Mar. 18, 2015**

Related U.S. Application Data

- (63) Continuation of application No. 29/481,791, filed on Feb. 10, 2014, now Pat. No. Des. 727,281.
- (51) **LOC (10) Cl.** **14-01**
- (52) **U.S. Cl.**
USPC **D14/205**
- (58) **Field of Classification Search**
USPC D14/205, 204, 216, 192, 188, 215, 219, D14/221, 228, 250; 181/129, 130, 135; 379/430, 432, 440, 428.02; 381/370, 381/371, 374, 377, 186, 384, 386; 455/575.2, 569.2; 2/209
CPC H04R 25/00
See application file for complete search history.

References Cited

U.S. PATENT DOCUMENTS

- 571,399 A * 11/1896 Rowan H04R 21/021
381/180
- 1,127,161 A 2/1915 Baldwin
- 1,483,315 A 2/1924 Saal
- 1,489,978 A 4/1924 Oscar
- 1,555,997 A 10/1925 Tiodolf
- 1,587,409 A 6/1926 Ouilette
- 1,649,551 A 11/1927 Smith
- 1,821,529 A * 9/1931 Spencer H04R 7/122
181/155

- 1,926,688 A * 9/1933 Schaal G10K 9/22
116/137 R
- 2,235,372 A 3/1941 Kalbitz
- 2,373,172 A * 4/1945 Darby H04M 1/19
181/148
- 2,394,374 A 2/1946 Gilman
- 2,413,345 A 12/1946 Gliman
- 2,486,267 A 10/1949 Dulinsky
- D156,329 S * 12/1949 Federico et al. D14/227
- 2,670,807 A * 3/1954 Brown H04R 7/00
381/186
- 2,782,423 A 2/1957 Simon et al.
- 2,924,290 A * 2/1960 Zuerker H04R 7/12
181/165
- 3,440,663 A 4/1969 Beguin
- 3,488,457 A 1/1970 Lahti
- 3,797,045 A 3/1974 Aho
- 3,922,725 A 12/1975 Csiki et al.
- 4,037,064 A * 7/1977 Yasuda H04R 5/027
381/26
- 4,175,217 A * 11/1979 Williams H04M 1/23
379/430
- 4,424,881 A * 1/1984 Hattori H04R 1/025
181/150

(Continued)

Primary Examiner — Paula Greene

(74) *Attorney, Agent, or Firm* — Perkins Coie LLP

(57) **CLAIM**

The ornamental design for an ear-cover frame portion of a headphone device, as shown and described.

DESCRIPTION

FIG. 1 is a perspective view of an ear-cover frame portion of a headphone device showing my new design, as viewed from the top and front.

FIG. 2 is a front elevational view of an ear cover frame portion shown in FIG. 1;

FIG. 3 is a back elevational view thereof;

FIG. 4 is a side elevational view thereof;

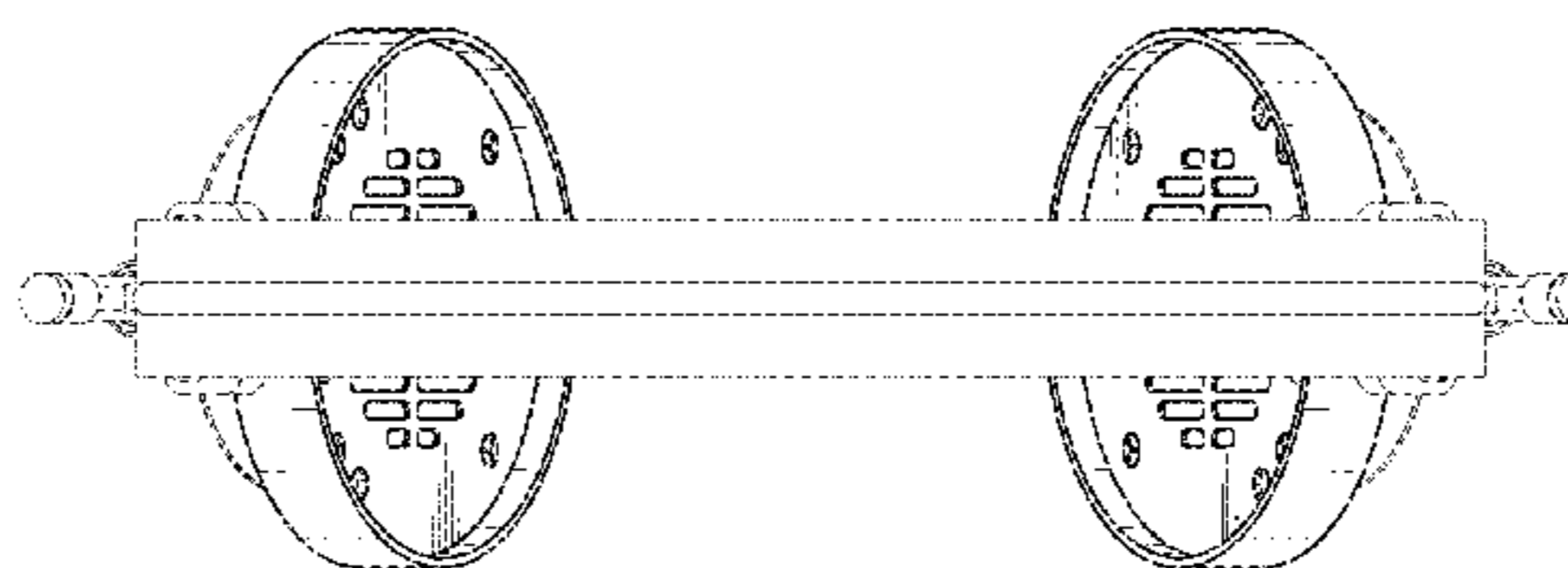
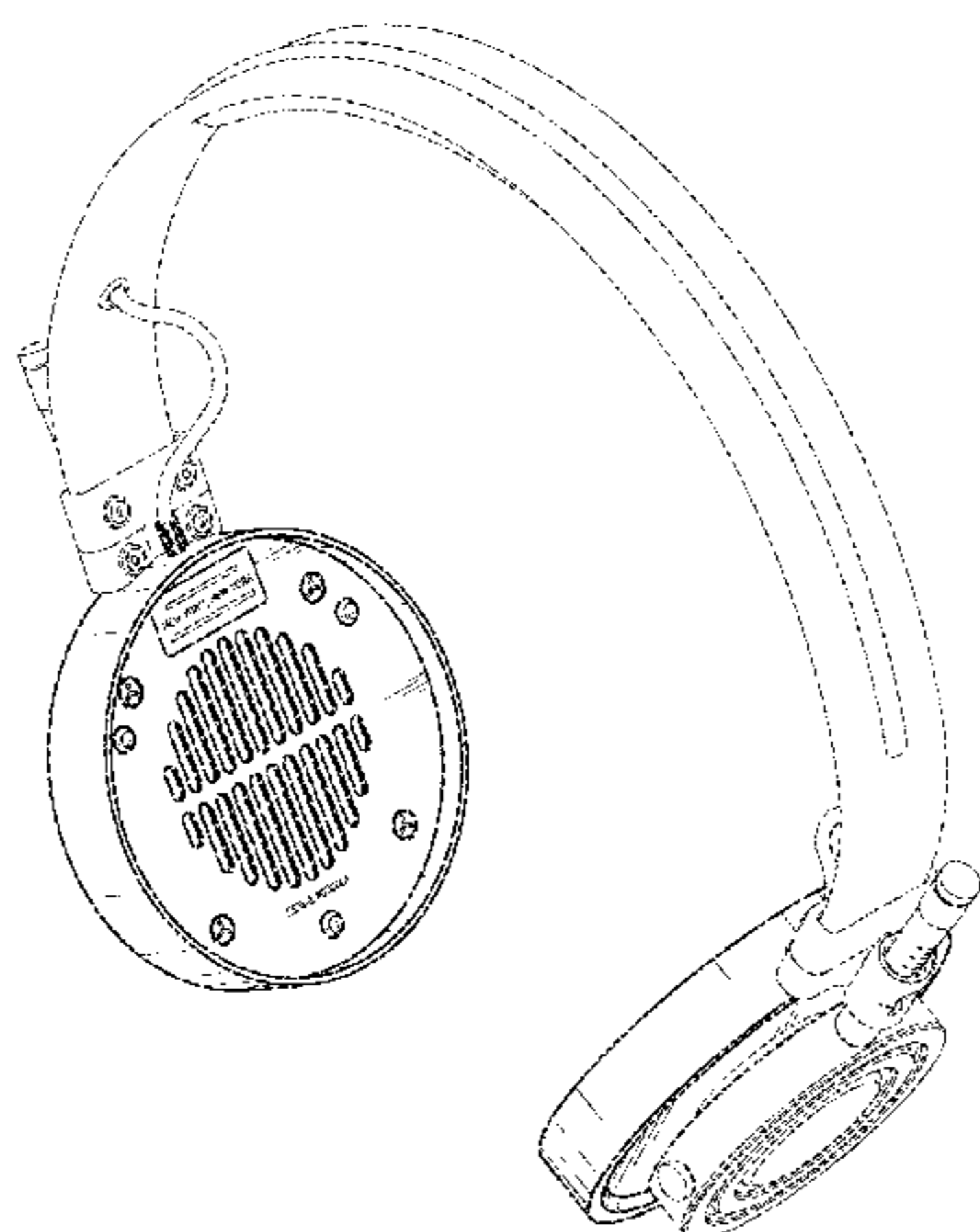
FIG. 5 is a second side elevational view thereof;

FIG. 6 is a top perspective view thereof; and,

FIG. 7 is an inverse perspective view of FIG. 6 thereof.

The details shown in broken lines illustrate features that form no part of the claimed design.

1 Claim, 5 Drawing Sheets



(56)

References Cited

U.S. PATENT DOCUMENTS

4,472,607 A 9/1984 Houg
 4,796,307 A * 1/1989 Vantine A63B 71/10
 2/13
 4,829,571 A 5/1989 Kakiuchi et al.
 5,233,650 A * 8/1993 Chan H04M 1/05
 379/430
 5,293,647 A 3/1994 Mirmilshiteyn et al.
 D410,466 S 6/1999 Mouri
 D413,550 S 9/1999 Otterson et al.
 D422,206 S * 4/2000 Clark D14/219
 D431,550 S 10/2000 Yoneda
 D432,522 S 10/2000 Kieltyka et al.
 6,263,085 B1 * 7/2001 Weffer H04R 5/033
 379/430
 6,392,196 B1 * 5/2002 Lin A61F 11/14
 2/209
 D484,485 S 12/2003 Matsuoka
 D508,483 S 8/2005 Suzuki

D514,087 S 1/2006 Wilson et al.
 D517,527 S 3/2006 Suzuki
 D560,654 S 1/2008 Feng
 D567,215 S 4/2008 Lee
 7,388,960 B2 6/2008 Kuo et al.
 7,457,649 B1 11/2008 Wilson
 D620,474 S 7/2010 Komiyama
 D633,895 S 3/2011 Morimoto
 D635,958 S 4/2011 Ando et al.
 D652,021 S * 1/2012 Miyawaki D14/216
 D652,022 S * 1/2012 Miyawaki D14/216
 D680,999 S * 4/2013 Chan D14/158
 D708,162 S 7/2014 Wenger et al.
 D712,872 S * 9/2014 Yuen D14/205
 D727,280 S 4/2015 Levine
 D727,281 S 4/2015 Levine
 D736,174 S 8/2015 Levine et al.
 D736,175 S 8/2015 Levine et al.
 D741,842 S 10/2015 Levine et al.
 2005/0105755 A1 5/2005 Yueh

* cited by examiner

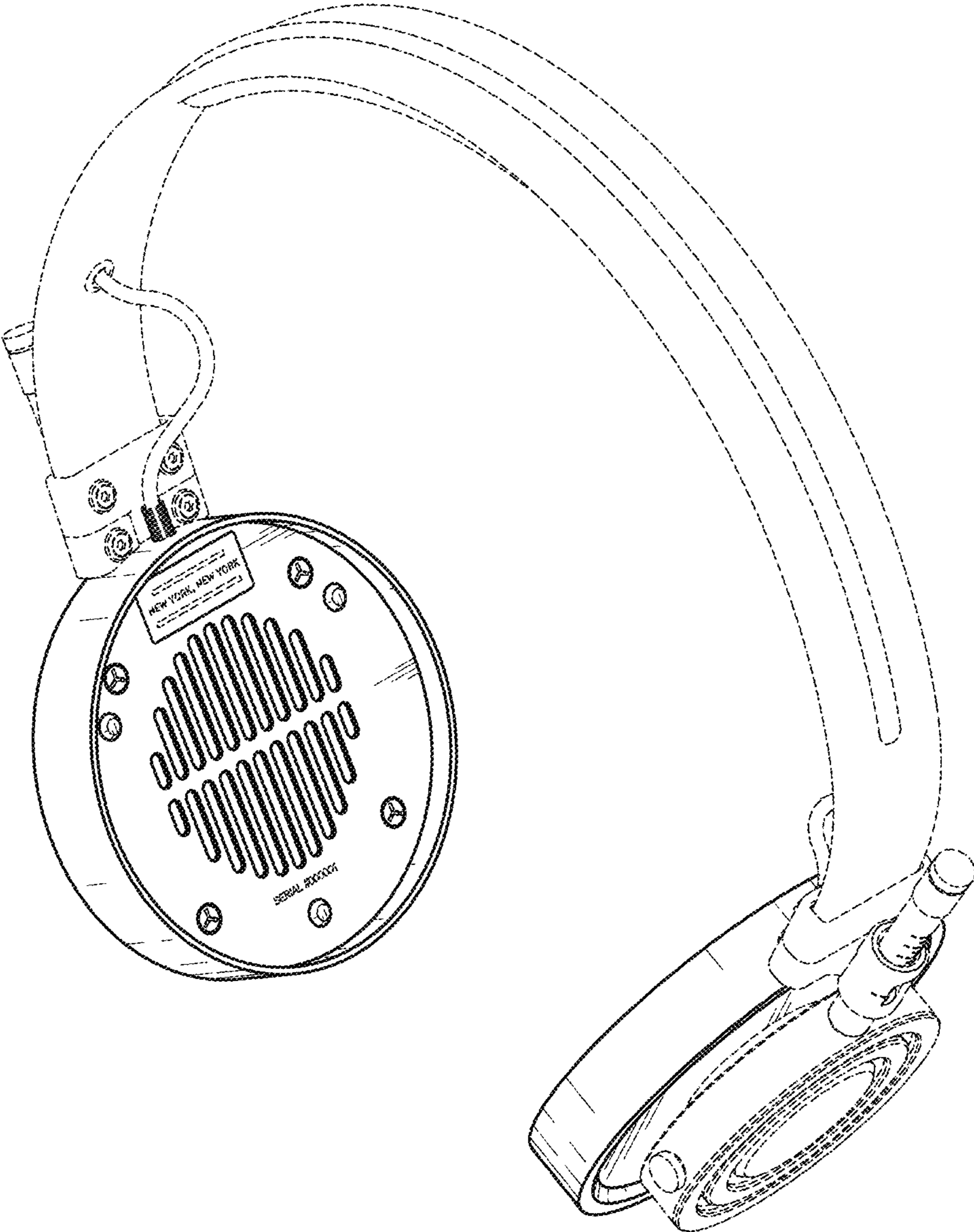


Fig. 1

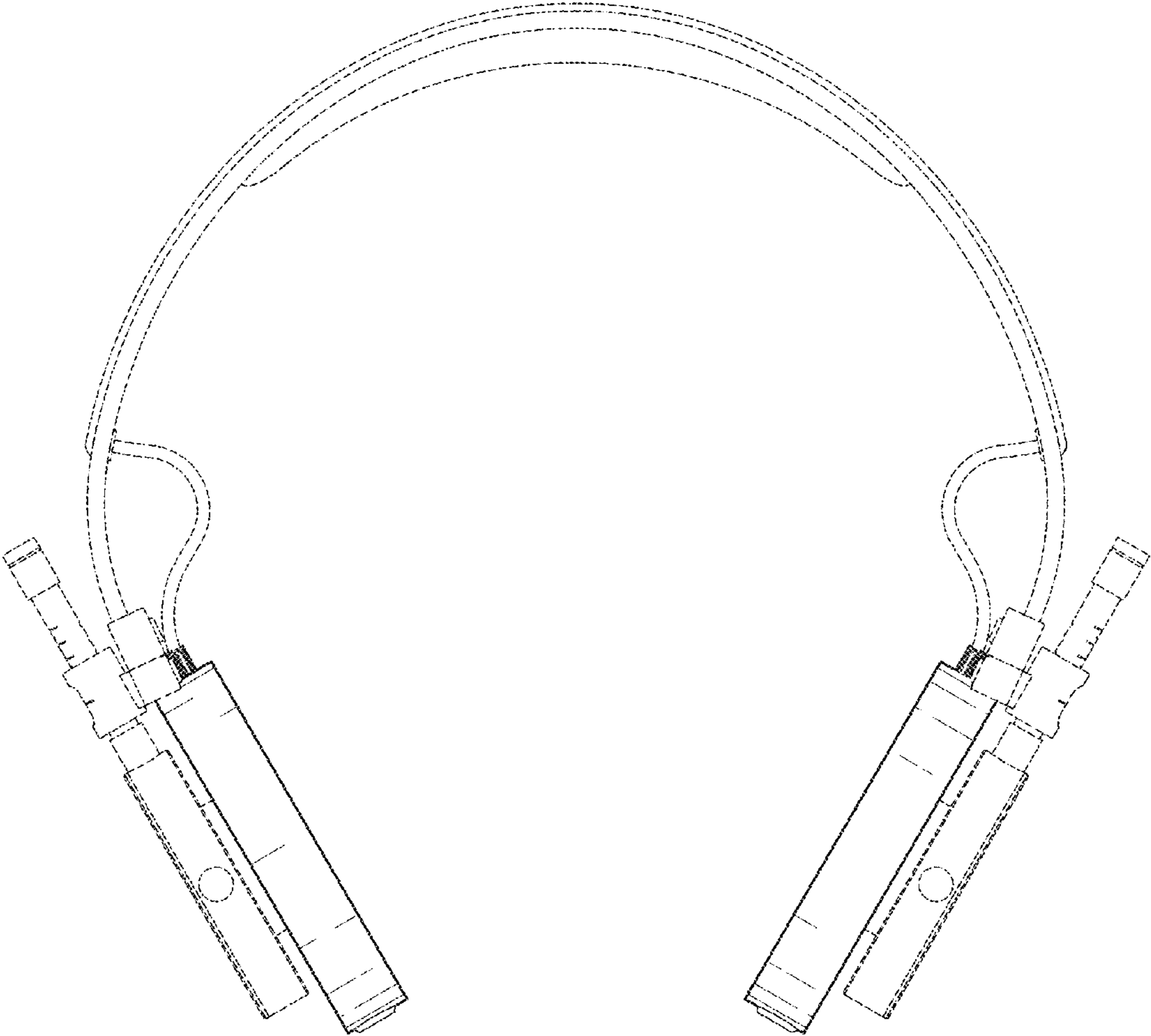


Fig. 2

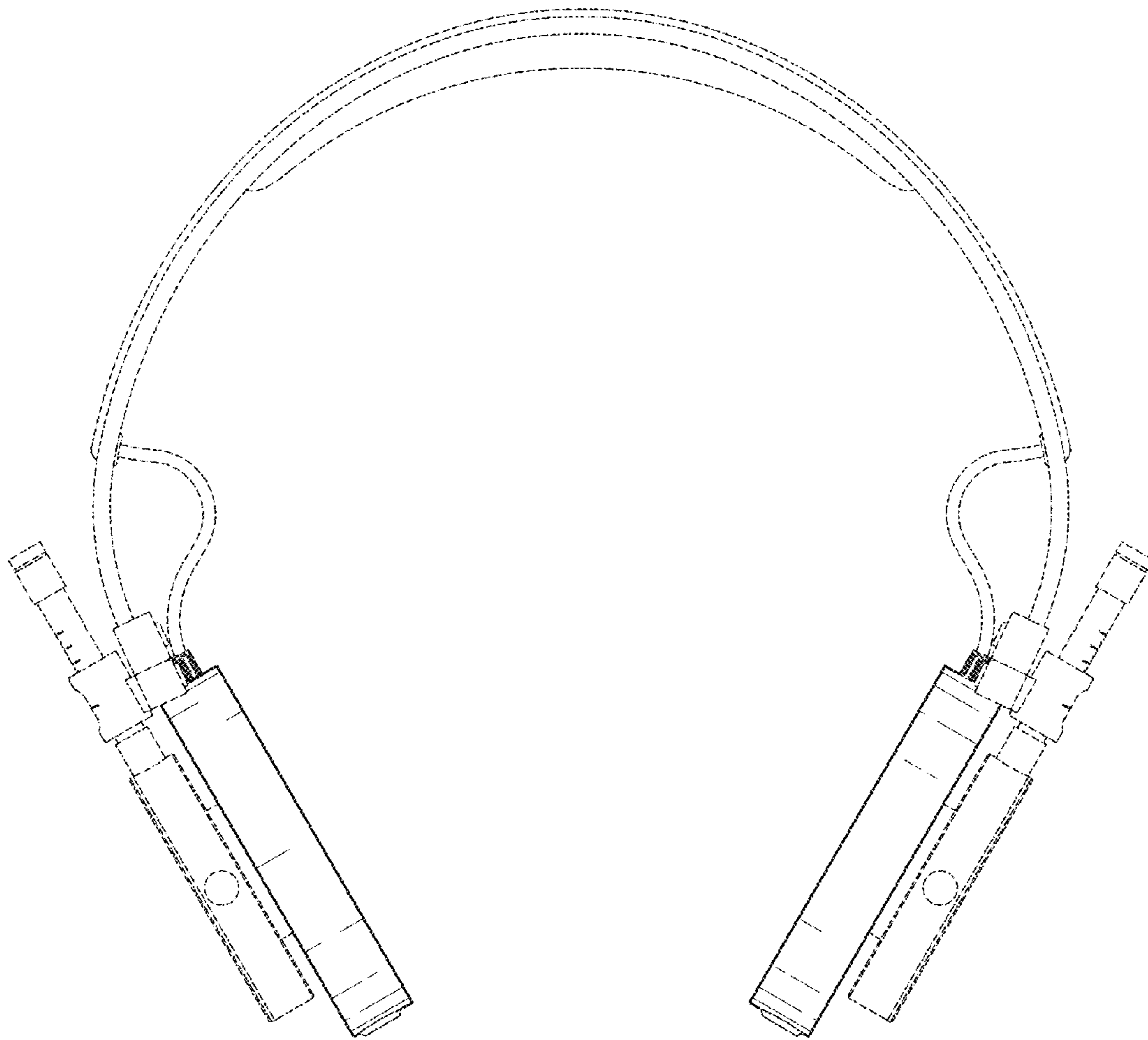


Fig. 3

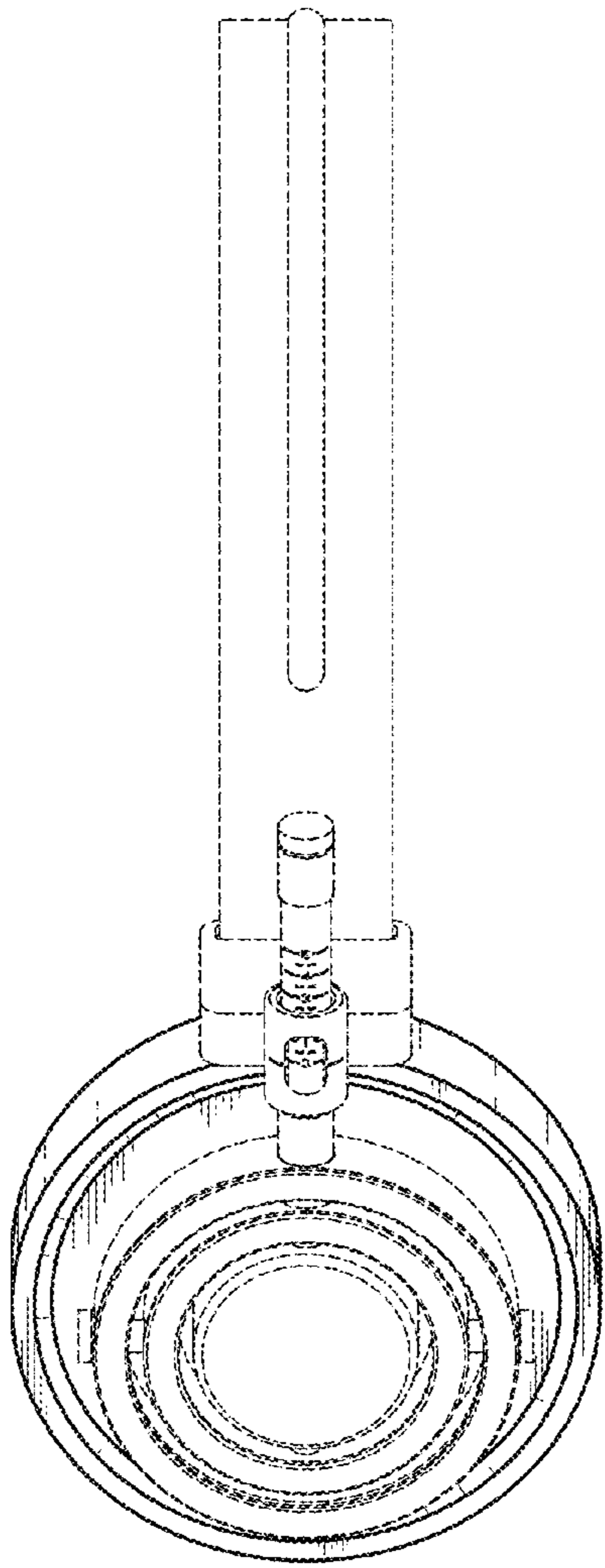


Fig. 4

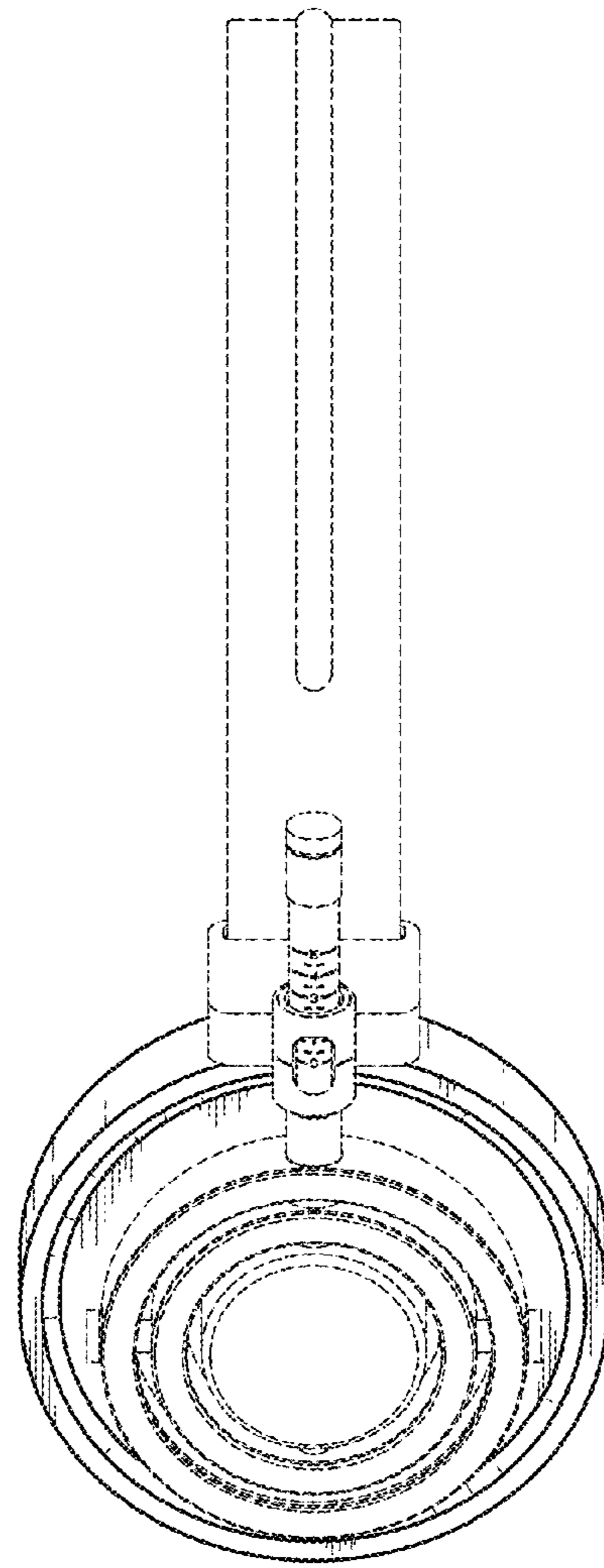


Fig. 5

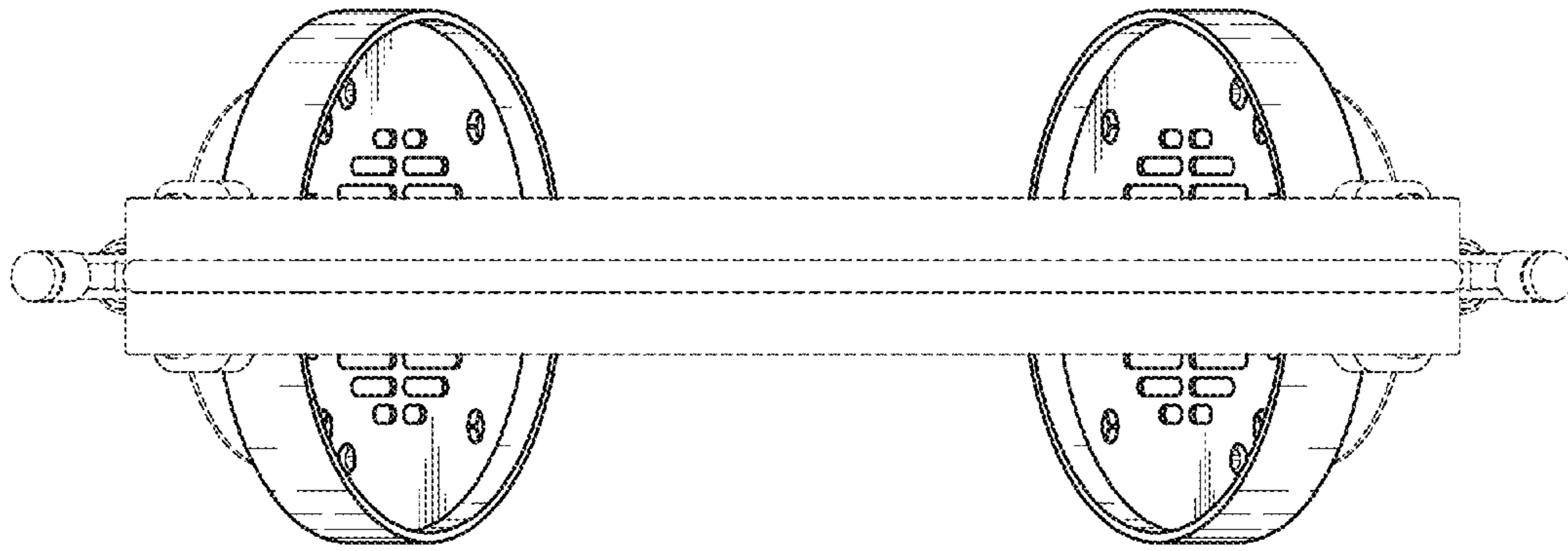


Fig. 6

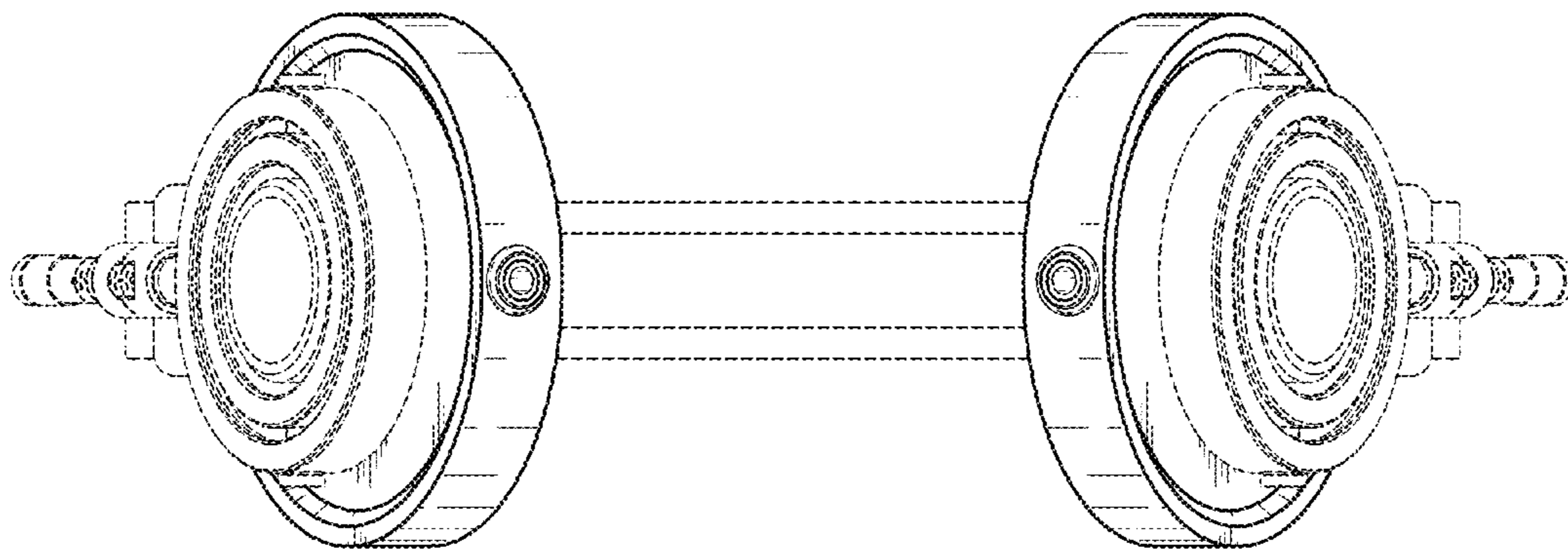


Fig. 7