

US00D762189S

(12) **United States Design Patent**  
**Kitamura et al.**

(10) **Patent No.:** **US D762,189 S**  
(45) **Date of Patent:** **\*\* Jul. 26, 2016**

(54) **IMAGE DISPLAY DEVICE WITH TUNER AND DIGITAL VIDEO DISC PLAYER FOR AUTOMOBILE**

D532,791 S \* 11/2006 Kim ..... D14/203.7  
7,184,802 B2 \* 2/2007 Chadha ..... H04M 1/0208  
379/433.06  
D560,683 S \* 1/2008 Lee ..... D14/496  
D619,560 S \* 7/2010 Ho ..... D14/203.7  
D626,937 S \* 11/2010 Yeo ..... D14/203.3  
D638,395 S \* 5/2011 Finnegan ..... D14/203.3

(71) Applicant: **PIONEER CORPORATION,**  
Kawasaki-shi, Kanagawa (JP)

(Continued)

(72) Inventors: **Meiji Kitamura,** Kawasaki (JP);  
**Takashi Matsumura,** Kawasaki (JP)

**FOREIGN PATENT DOCUMENTS**

(73) Assignee: **PIONEER CORPORATION,**  
Kawasaki-shi, Kanagawa (JP)

JP 1367441 S 8/2009  
JP 1367443 S 8/2009

(Continued)

(\*\*) Term: **14 Years**

**OTHER PUBLICATIONS**

(21) Appl. No.: **29/509,567**

U.S. Appl. No. 29/506,816, Pioneer Corp.

(22) Filed: **Nov. 19, 2014**

*Primary Examiner* — Prabhakar Deshmukh

(30) **Foreign Application Priority Data**

(74) *Attorney, Agent, or Firm* — Drinker Biddle & Reath LLP

Jul. 14, 2014 (JP) ..... 2014-015346

(51) **LOC (10) Cl.** ..... **14-03**

(57) **CLAIM**

(52) **U.S. Cl.**  
USPC ..... **D14/203.7**

The ornamental design for an image display device with tuner and digital video disc player for automobile, as shown and described.

(58) **Field of Classification Search**  
USPC ..... D14/496, 401, 435, 474, 483, 217, 137,  
D14/138, 160, 168, 356, 203.1–203.8, 507;  
345/156, 169, 173–179, 905;  
715/727–729, 864; 710/1, 5, 8; 713/1,  
713/600; 455/1.1, 1.7, 73, 344–347, 93, 95,  
455/3.01–3.06, 550.1, 573.1; 370/342–344;  
369/1, 2, 6–12; 463/43–47; 273/148 B  
CPC ..... H04J 11/00; H04J 13/00; H04J 14/00  
See application file for complete search history.

**DESCRIPTION**

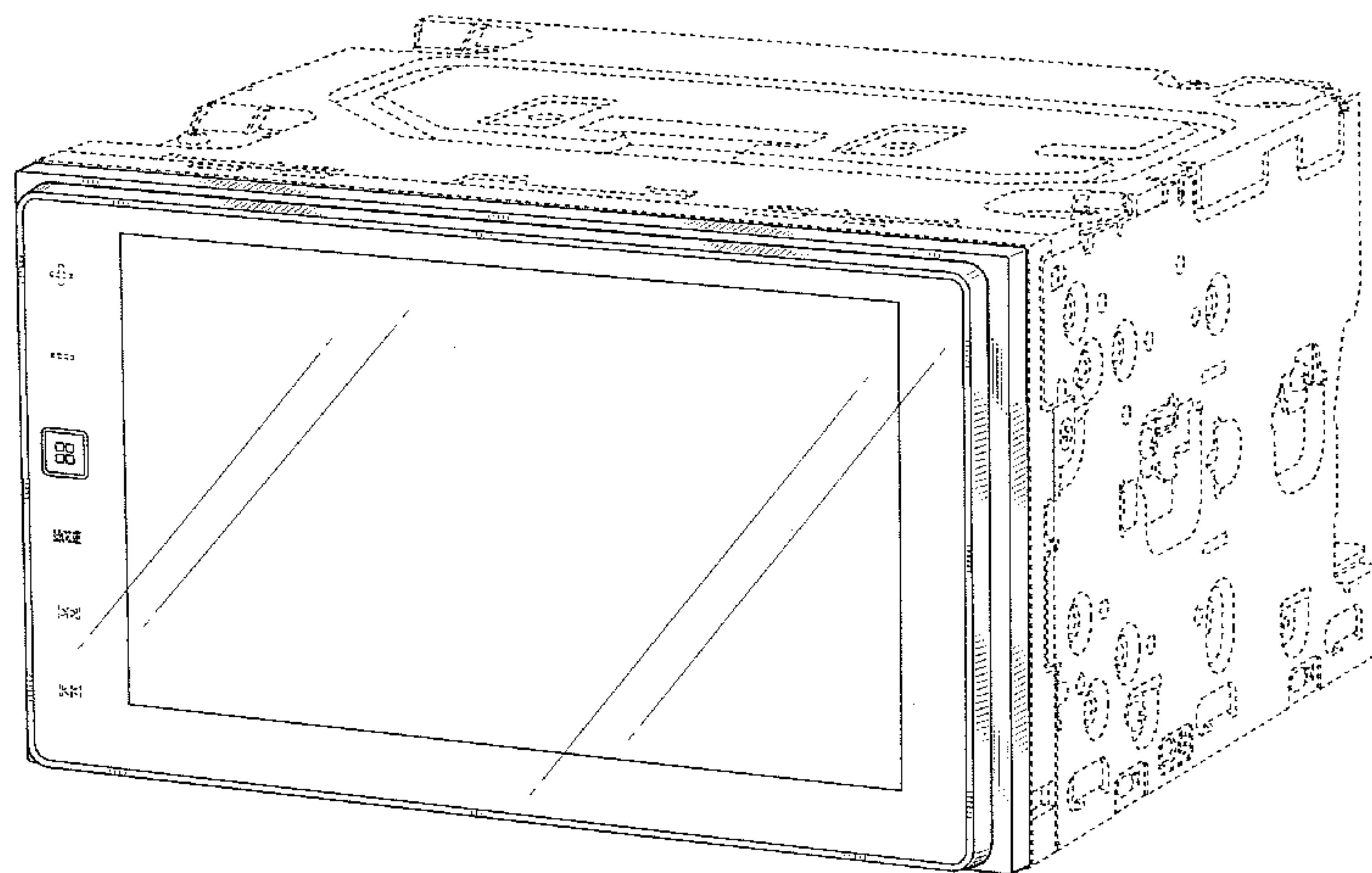
FIG. 1 is a perspective view of front, top and right side of an image display device with tuner and digital video disc player for automobile showing our new design;  
FIG. 2 is a front view thereof;  
FIG. 3 is a left side view thereof;  
FIG. 4 is a right side view thereof;  
FIG. 5 is a top view thereof; and  
FIG. 6 is a bottom view thereof.  
A rear view is omitted because it is unornamental and forms no part of the subject matter of the claimed design.  
The portions of the article in broken lines form no part of the claimed design.

(56) **References Cited**

**U.S. PATENT DOCUMENTS**

6,178,087 B1 \* 1/2001 Cho ..... G06F 1/1626  
312/223.1  
6,977,675 B2 \* 12/2005 Kotzin ..... G06F 1/1626  
345/156

**1 Claim, 6 Drawing Sheets**



(56)

**References Cited**

U.S. PATENT DOCUMENTS

D650,810 S \* 12/2011 Lemelman ..... D14/203.3  
D652,418 S \* 1/2012 Rashid ..... D14/341  
D659,113 S \* 5/2012 Rayn ..... D14/203.3  
D662,489 S \* 6/2012 Yeo ..... D14/203.3

JP	1389482 S	6/2010
JP	1427714 S	11/2011
JP	1437364 S	4/2012
JP	1437365 S	4/2012
JP	1437595 S	4/2012
JP	1445237 S	7/2012
JP	1463061 S	2/2013
JP	1499500 S	6/2014

FOREIGN PATENT DOCUMENTS

JP 1389481 S 6/2010

\* cited by examiner

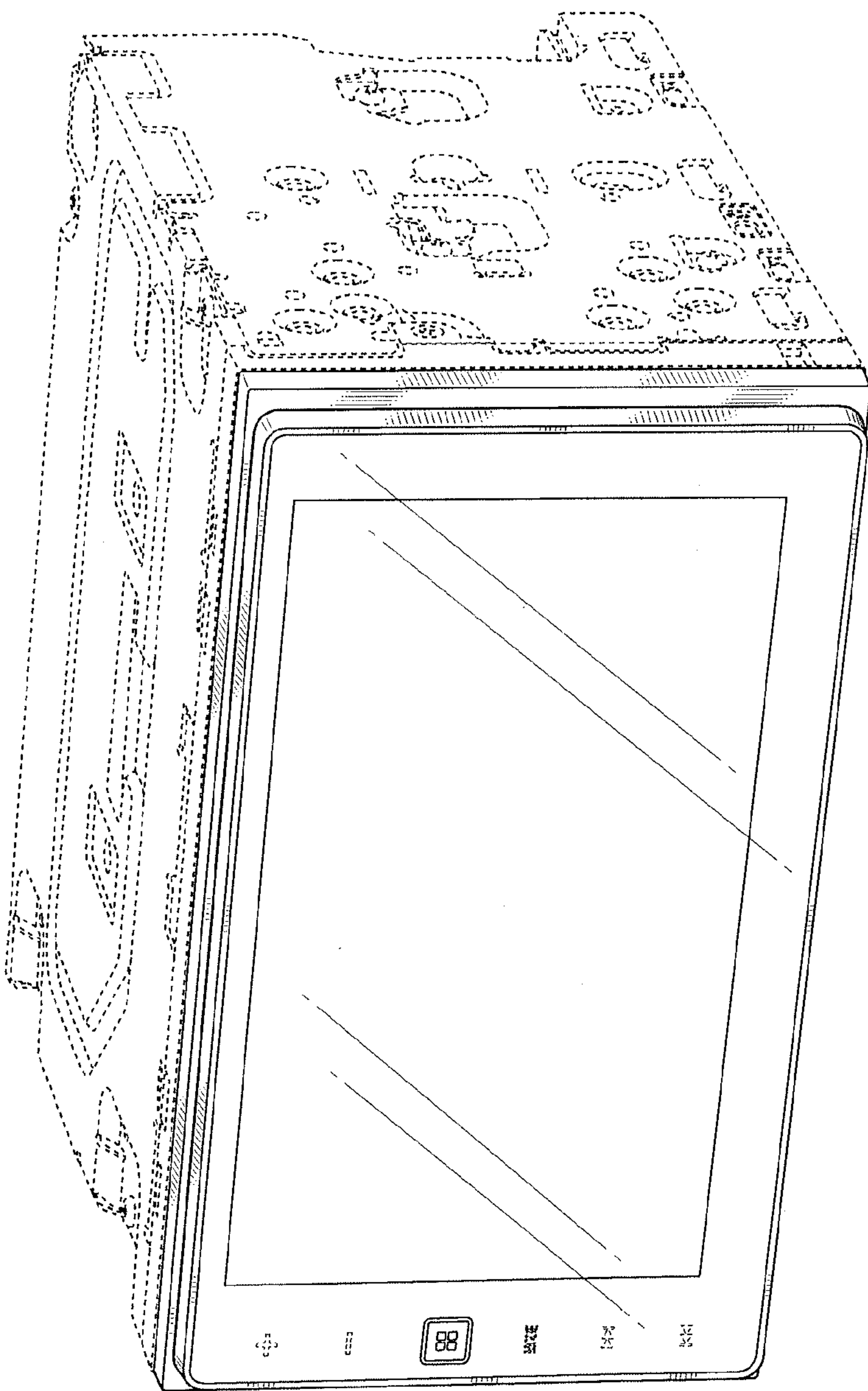


FIG. 1

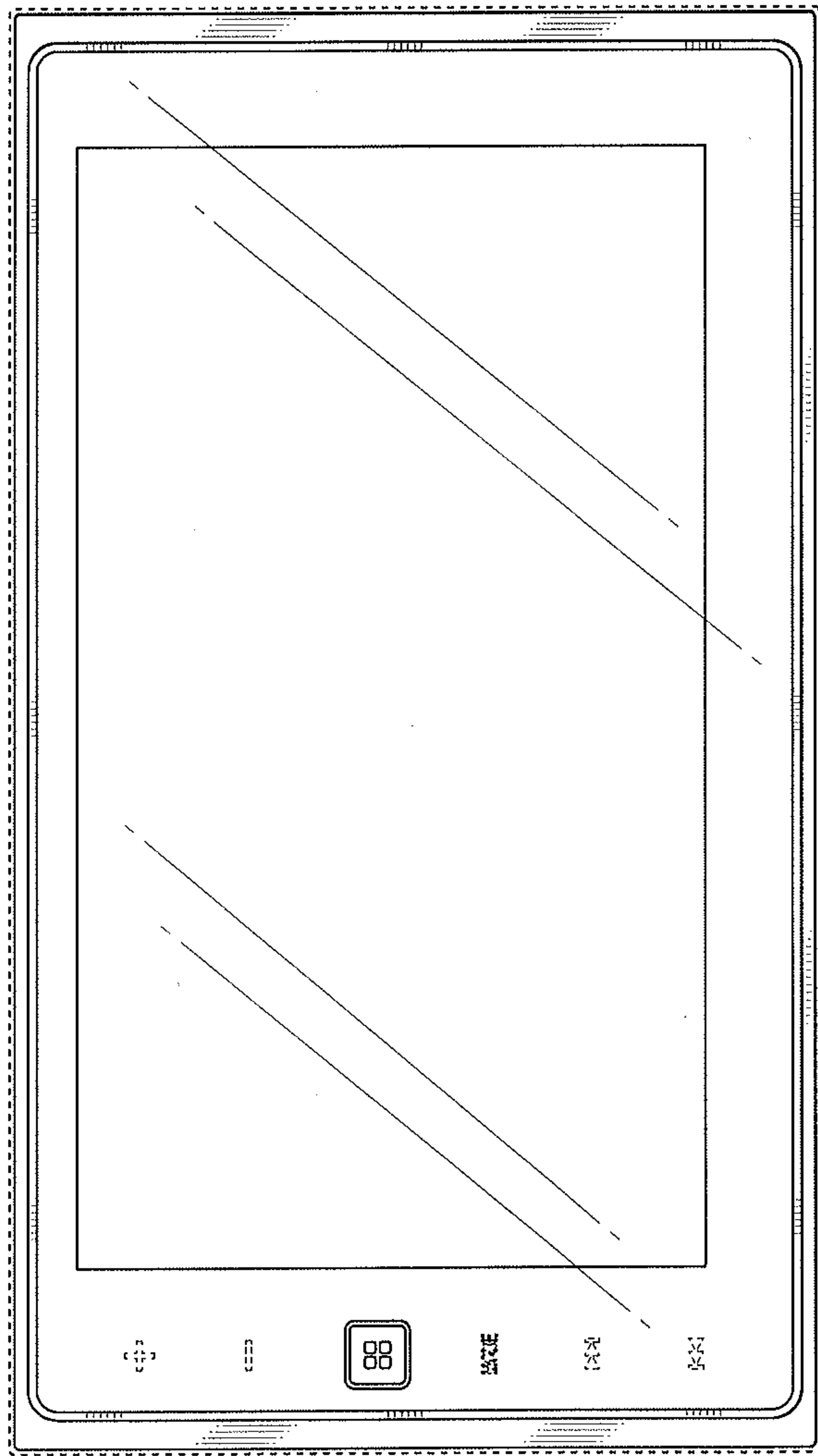


FIG. 2

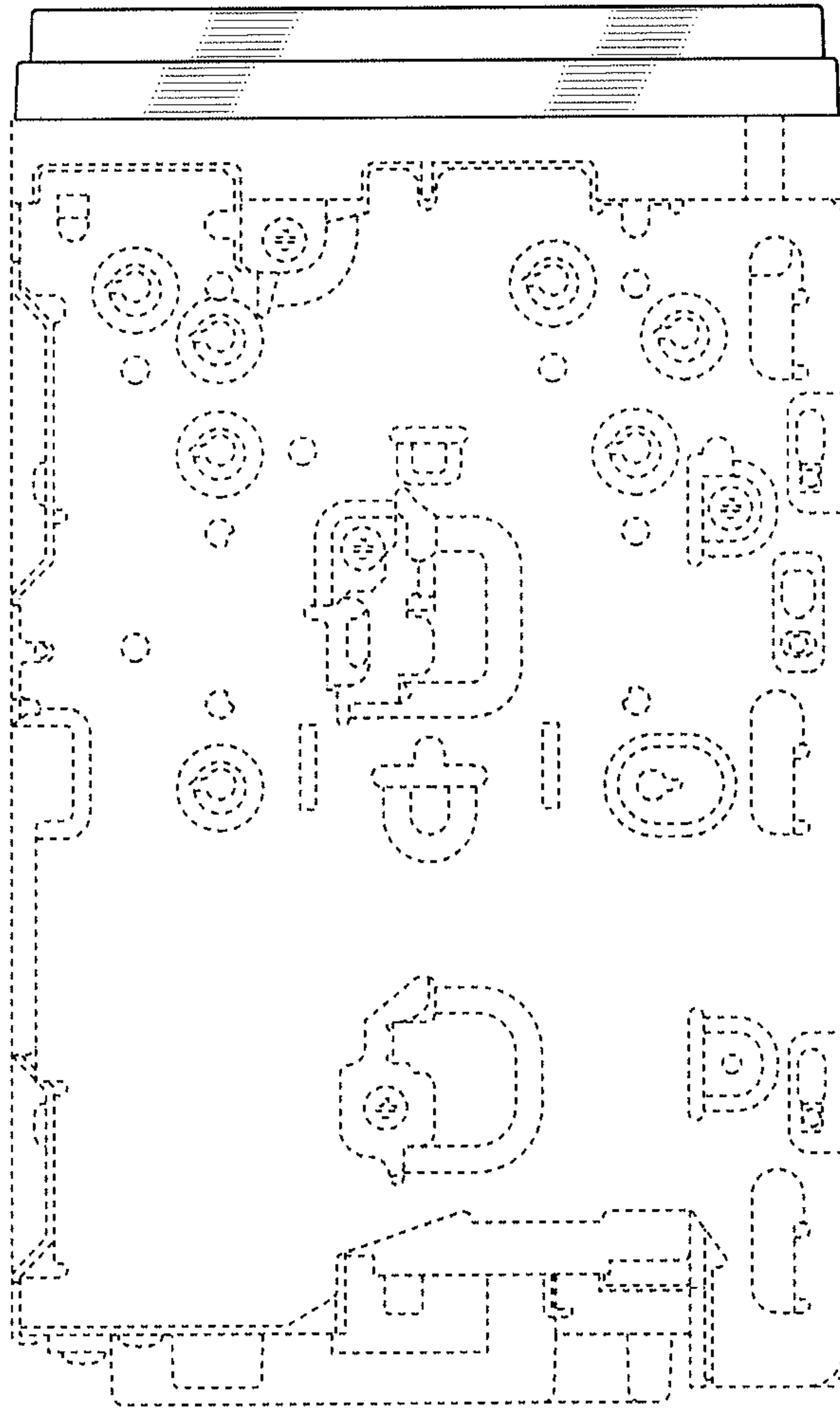


FIG. 3

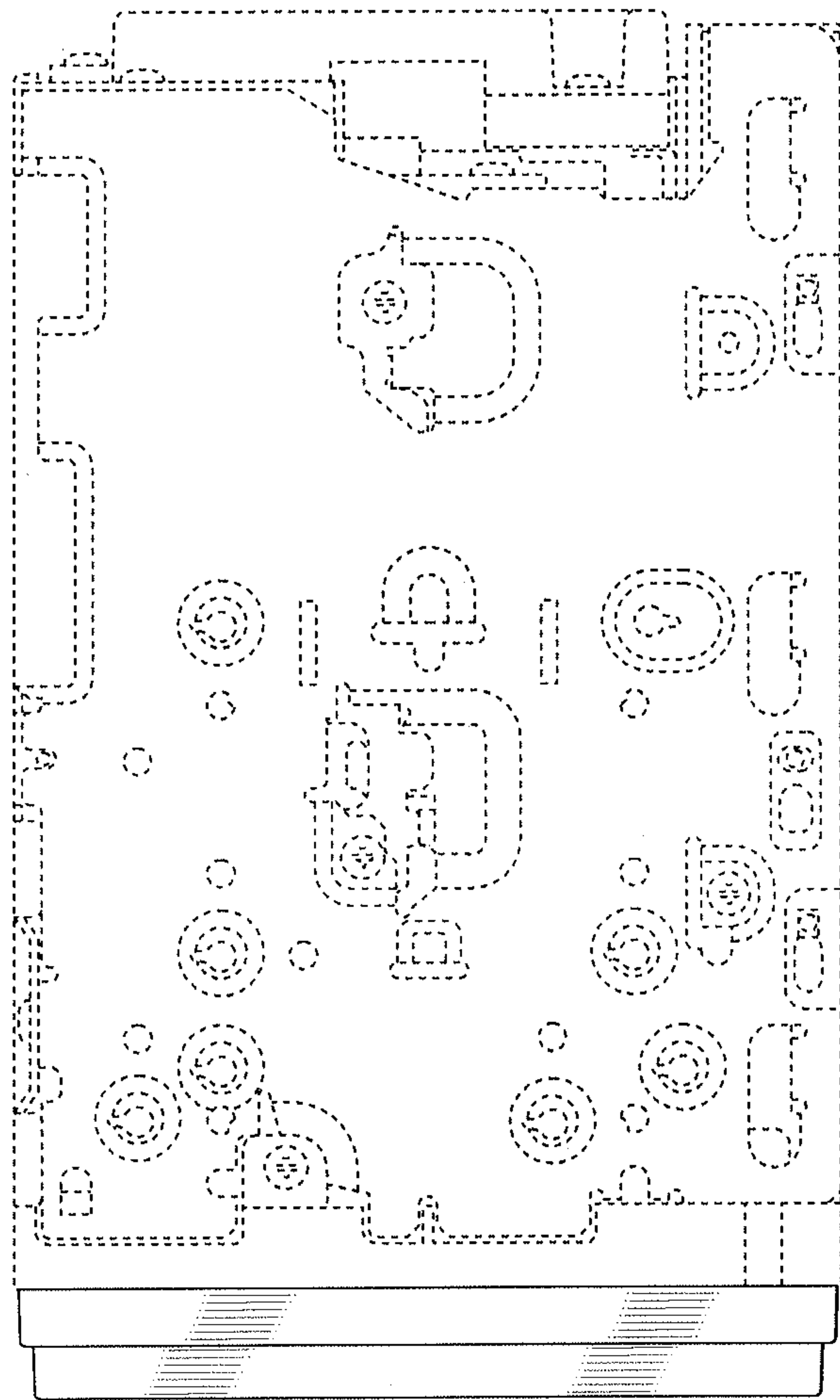


FIG. 4



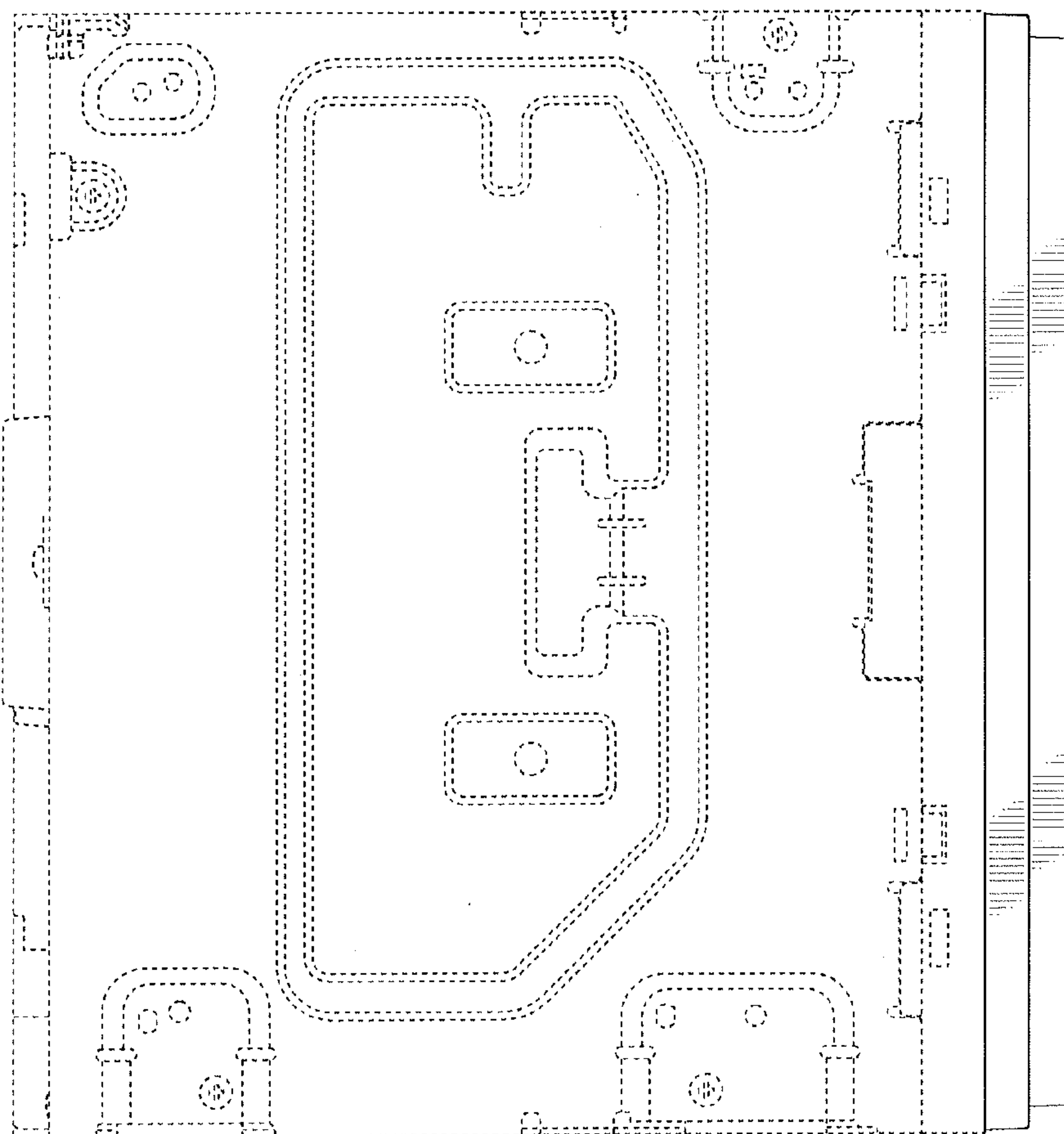


FIG. 5

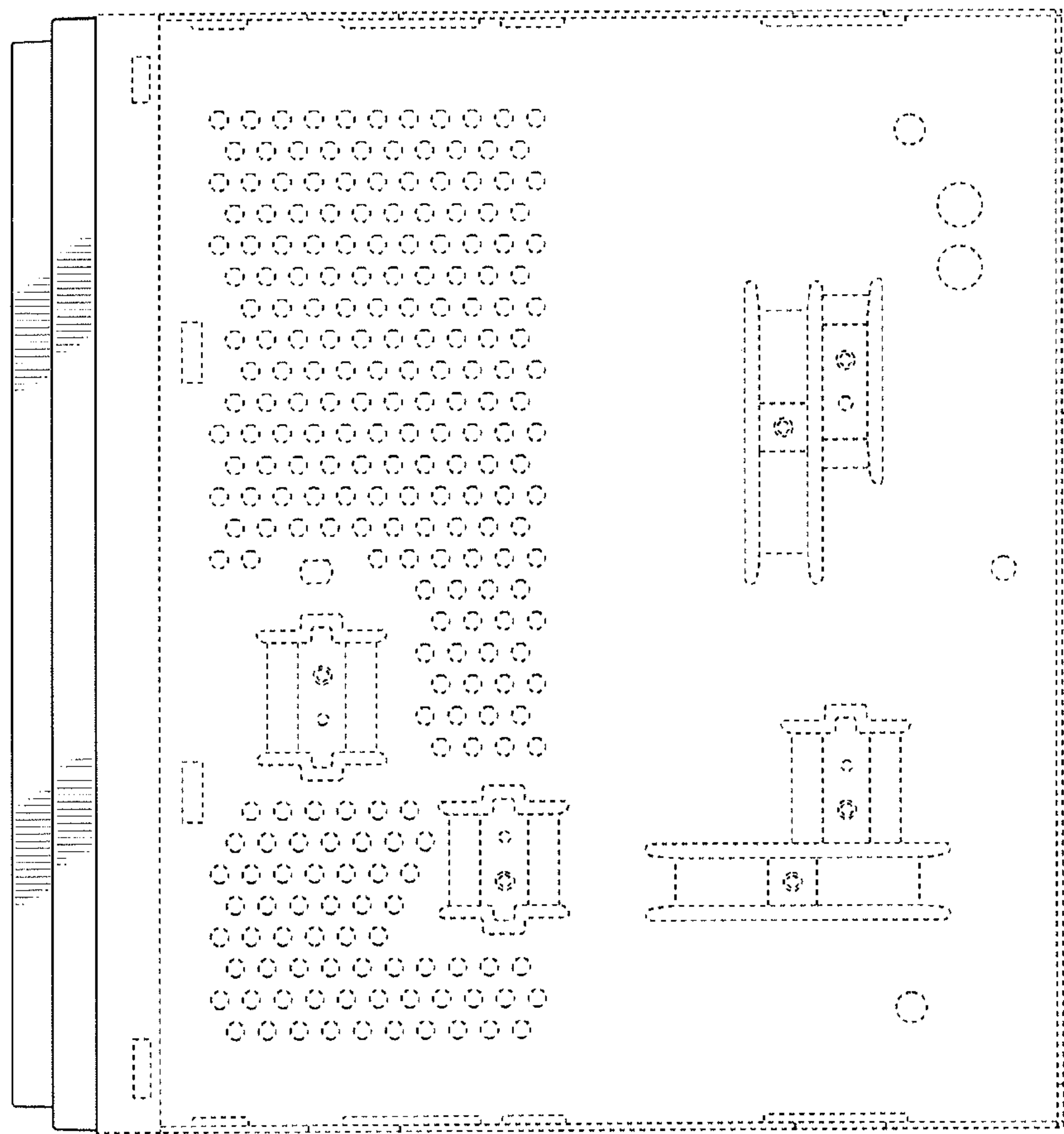


FIG. 6