



US00D762181S

(12) **United States Design Patent**
Lin

(10) **Patent No.:** **US D762,181 S**
(45) **Date of Patent:** **** Jul. 26, 2016**

- (54) **HIGH BAY LED DEVICE**
- (71) Applicant: **Aeonovalite Technologies, Inc.**, New Taipei (TW)
- (72) Inventor: **Chhiu-Tsu Lin**, Sycamore, IL (US)
- (73) Assignee: **Aeonovalite Technologies, Inc.**, New Taipei (TW)
- (**) Term: **14 Years**
- (21) Appl. No.: **29/508,907**
- (22) Filed: **Nov. 12, 2014**

Related U.S. Application Data

- (63) Continuation of application No. 14/503,267, filed on Sep. 30, 2014.
- (51) **LOC (10) CL.** **13-03**
- (52) **U.S. CL.**
USPC **D13/179; D26/74**
- (58) **Field of Classification Search**
USPC D13/179; D26/2, 72, 74, 88, 152; 362/294
CPC F28D 1/0246; F28D 1/0426; F28D 15/02; F28D 15/0266; F28D 15/0275; F28D 15/04; F28F 13/003; F28F 13/12; F28F 1/325; F04D 25/0613; F04D 25/068; F04D 29/281422; F21V 29/2293; F21V 29/2231; G03B 21/16; G06F 1/20; G06F 1/203; H01L 23/34; H01L 23/367; H01L 23/3672; H01L 23/40; H01L 23/4006; H01L 23/4093; H01L 23/427; H01L 23/467; H05K 7/20; H05K 7/20127; H05K 7/20145; H05K 7/20154; H05K 7/20172; H05K 7/20336; F21S 8/026
See application file for complete search history.

(56) **References Cited**

U.S. PATENT DOCUMENTS

D194,787 S * 3/1963 Chadwick D13/179

3,239,003 A * 3/1966 Boudette B21D 53/02
165/185
6,633,484 B1 * 10/2003 Lee H01L 23/3672
165/104.33
6,845,010 B2 * 1/2005 Lee H01L 23/3672
165/104.33
6,851,467 B1 * 2/2005 Bamford H01L 23/3672
165/120
D544,127 S * 6/2007 Posey D26/72
D576,964 S * 9/2008 Shaner D13/179

(Continued)

FOREIGN PATENT DOCUMENTS

CN	201434365	3/2010
CN	202149462	2/2012

(Continued)

OTHER PUBLICATIONS

EarthLED.com, product description "Par38 LED Light Bulbs", found at www.earthled.com/collections/par38-led-light-bulbs-par38-led, 2 pages, printed on Sep. 29, 2014.

(Continued)

Primary Examiner — Selina Sikder

(74) *Attorney, Agent, or Firm* — Evan Law Group LLC

(57) **CLAIM**

The ornamental design for a high bay LED device, as shown and described.

DESCRIPTION

FIG. 1 is a front, top, and side perspective view of the invention.

FIG. 2 is a front elevation view thereof;

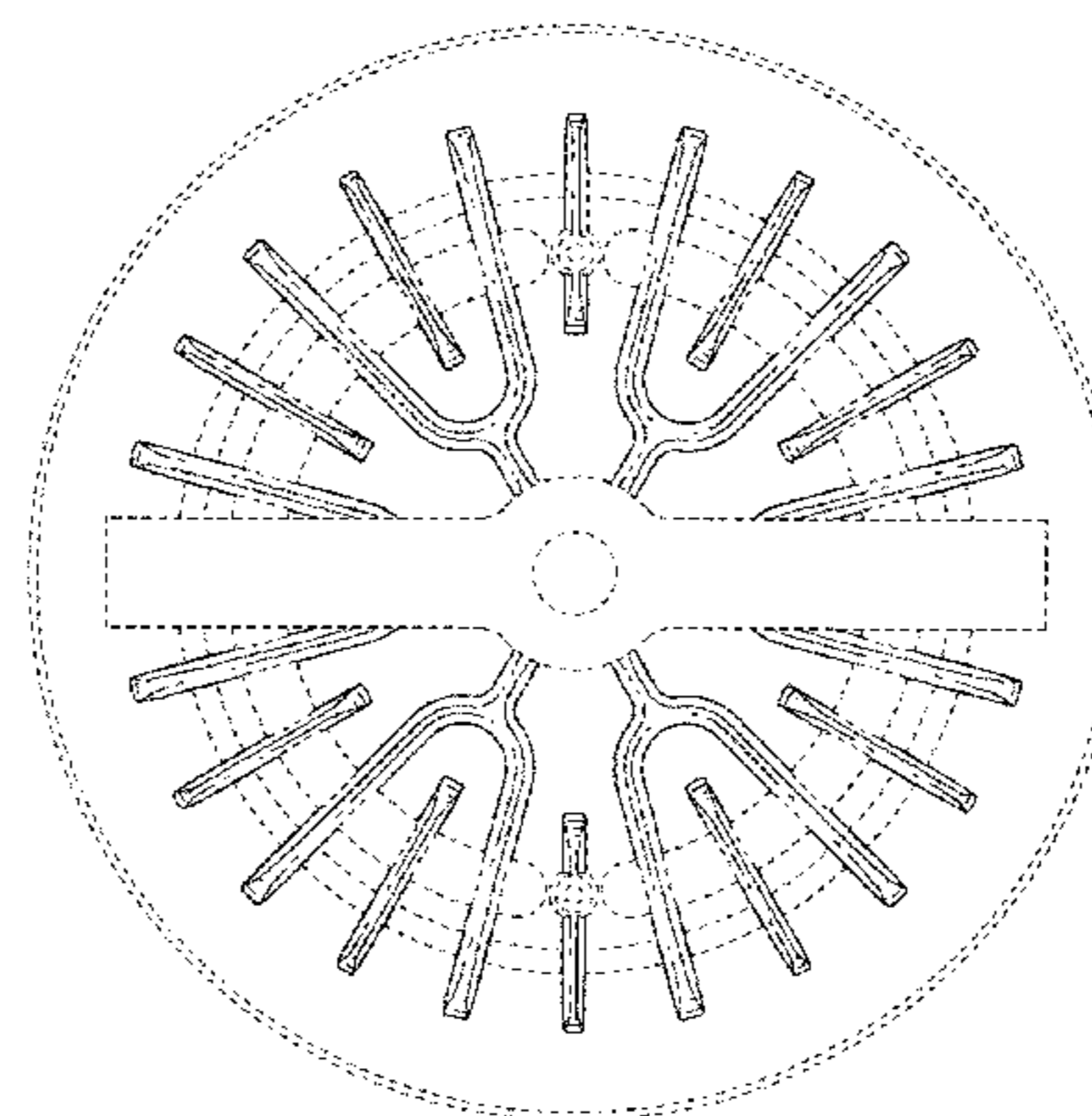
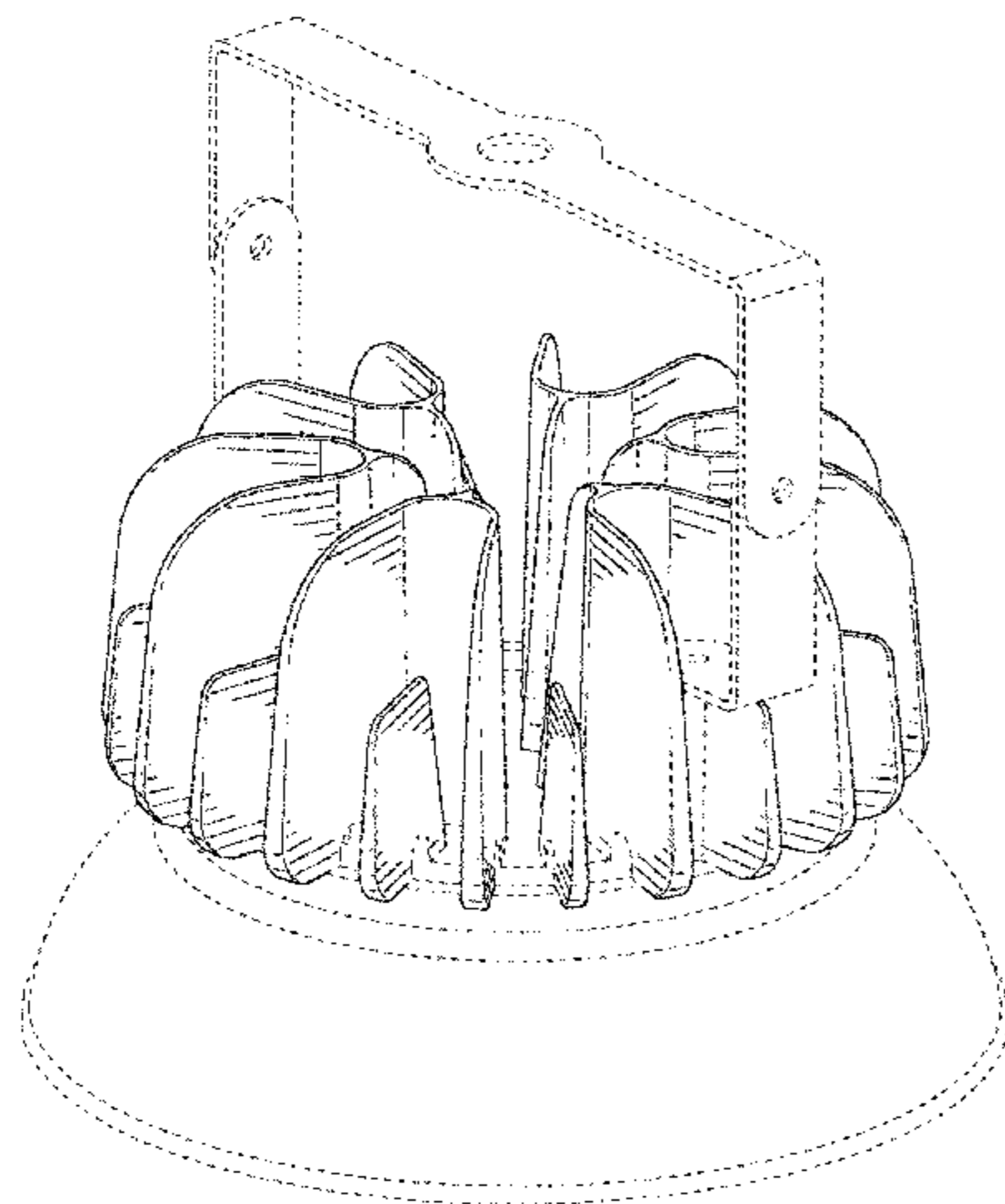
FIG. 3 is a side elevation view thereof;

FIG. 4 is a top plan view thereof; and,

FIG. 5 is a bottom plan view thereof.

The features shown in broken lines are shown for illustrative purposes only and form no part of the claimed design in their respective embodiment.

1 Claim, 5 Drawing Sheets



(56)

References Cited

U.S. PATENT DOCUMENTS

D591,894 S * 5/2009 Flank D26/74
 D603,810 S * 11/2009 Yang D13/179
 D619,551 S * 7/2010 Lin D13/179
 D627,911 S * 11/2010 Mo D26/119
 7,828,464 B2 * 11/2010 Wang F21K 9/00
 257/98
 D634,279 S * 3/2011 Chua D13/179
 7,931,969 B2 4/2011 Lin
 D640,819 S * 6/2011 Pan D26/74
 8,087,456 B2 * 1/2012 Wei B23P 15/26
 165/185
 8,192,049 B2 * 6/2012 Hyun F21S 8/02
 362/241
 D664,291 S * 7/2012 Blincoe D26/152
 8,403,533 B1 * 3/2013 Paulsel F21S 8/026
 362/249.02
 8,403,541 B1 * 3/2013 Rashidi F21S 8/026
 257/712
 8,408,759 B1 * 4/2013 Rashidi F21S 8/026
 362/150
 8,434,907 B2 * 5/2013 Kong F21S 8/026
 362/241
 8,523,409 B1 * 9/2013 Drake F21S 8/02
 362/294
 D691,315 S * 10/2013 Samson D26/74
 D692,175 S * 10/2013 Rashidi D26/74
 8,545,933 B2 10/2013 Lin
 D695,941 S * 12/2013 Rashidi D26/74
 D696,448 S * 12/2013 Huh D26/74
 D707,382 S * 6/2014 Ni D26/72
 8,876,333 B1 * 11/2014 Rashidi F21V 29/2231
 362/294
 D721,845 S * 1/2015 Lui D26/74
 D726,131 S * 4/2015 Zhai D13/179
 D730,302 S * 5/2015 Shum D13/179
 2008/0080190 A1 * 4/2008 Walczak F21V 14/02
 362/294
 2009/0147520 A1 * 6/2009 Liu F21K 9/00
 362/294
 2010/0020553 A1 * 1/2010 Teng F21K 9/00
 362/373
 2010/0026158 A1 * 2/2010 Wu F21K 9/13
 313/46

2010/0046168 A1 2/2010 Liaw
 2010/0149818 A1 * 6/2010 Ruffin F21K 9/13
 362/294
 2010/0296272 A1 * 11/2010 Roos F21S 8/026
 362/147
 2011/0002124 A1 * 1/2011 Chang F21V 19/001
 362/294
 2011/0198979 A1 8/2011 Shum et al.
 2012/0182744 A1 * 7/2012 Santiago F21S 8/026
 362/365
 2013/0294077 A1 11/2013 Gabrius et al.
 2014/0035461 A1 2/2014 McDonald et al.
 2014/0268750 A1 9/2014 Lui et al.
 2015/0117017 A1 * 4/2015 Johnston F21K 9/52
 362/294
 2015/0184837 A1 7/2015 Zhang et al.
 2016/0091192 A1 3/2016 Lin

FOREIGN PATENT DOCUMENTS

CN	202691972	1/2013
CN	203656869	6/2014
CN	203703903	7/2014
TW	M423207	2/2012
TW	D149242	9/2012
TW	D149380	9/2012
TW	D156055	9/2013
TW	201612462	4/2016
WO	2014/015656	1/2014

OTHER PUBLICATIONS

EarthLED.com, product description “MR16 LED Light Bulbs”, found at www.earthled.com/collections/mr16-led-light-bulbs, 2 pages, printed on Sep. 29, 2014.
 Definition of “Heat Sink” printed from Wikipedia, the free encyclopedia on Sep. 23, 2014 found at http://en.wikipedia.org/wiki/Heat_sink#cite_note-Bider-30, pp. 1-18.
 Qpedia, vol. 3, issue 8, Sep. 2009.
 LED Professional Review, issue 13, May/Jun. 2009.
 Taiwan Search Report dated Jun. 23, 2015 for Taiwan application No. 104300627 with translation.

* cited by examiner

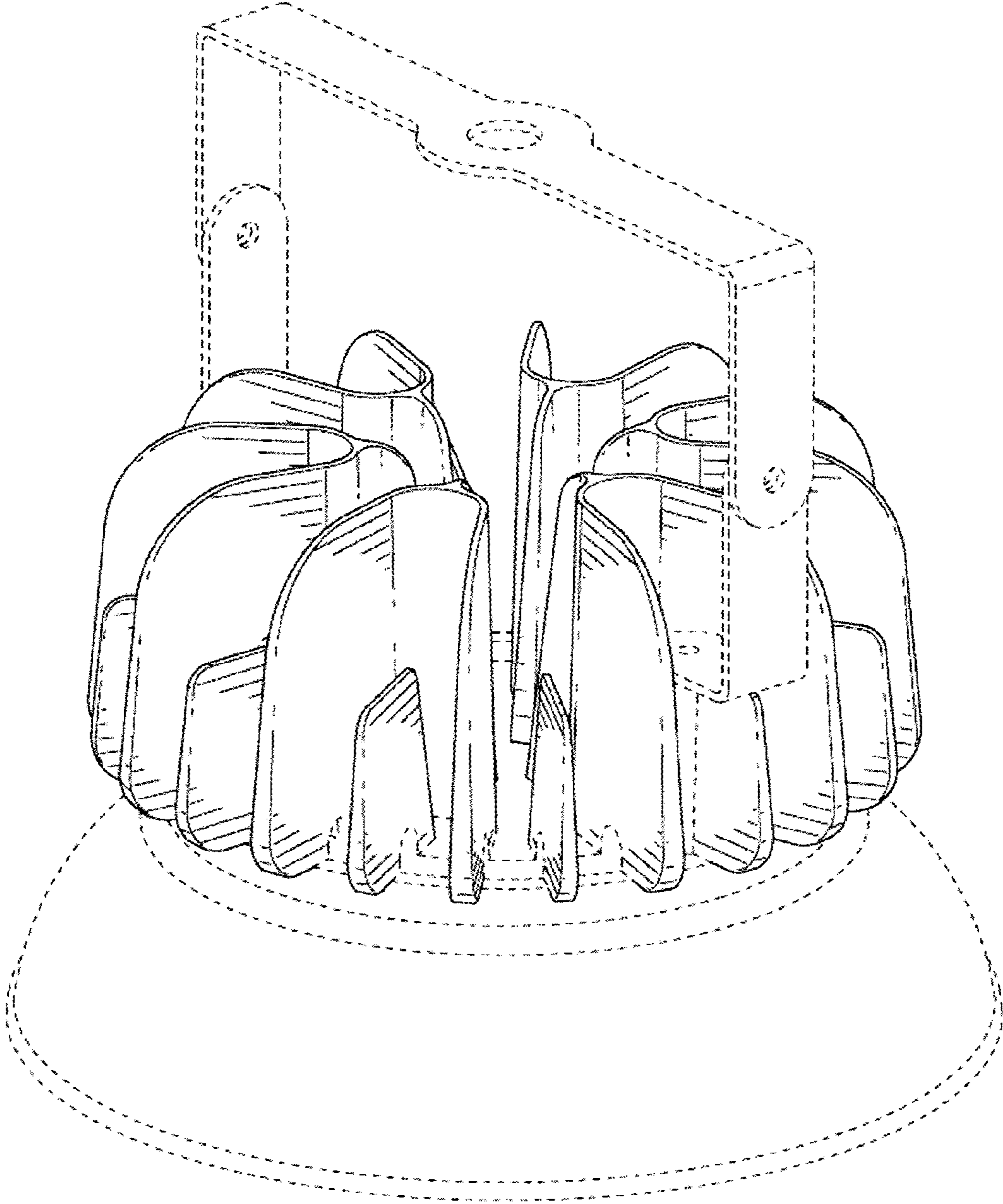


FIG. 1

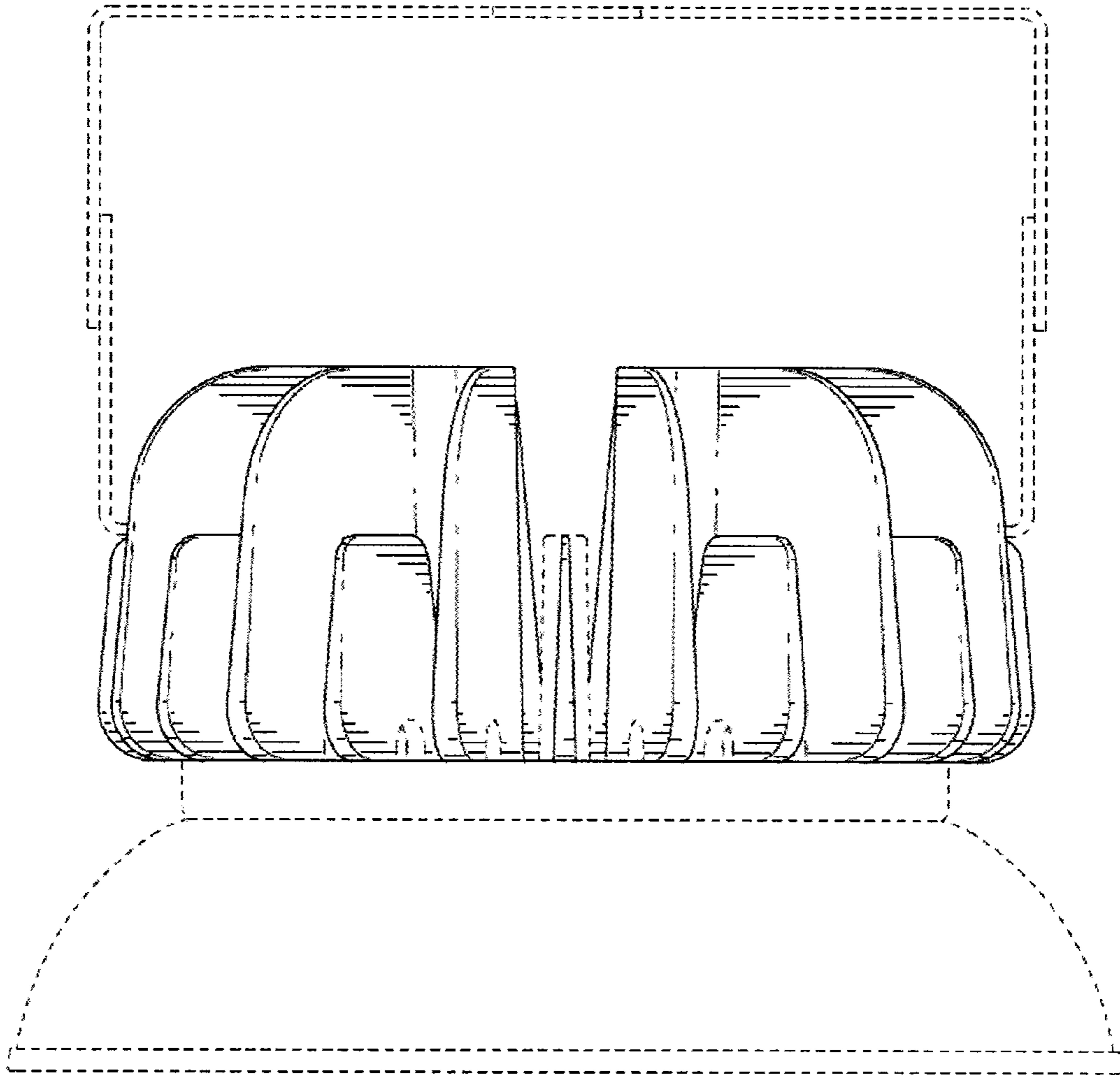


FIG. 2

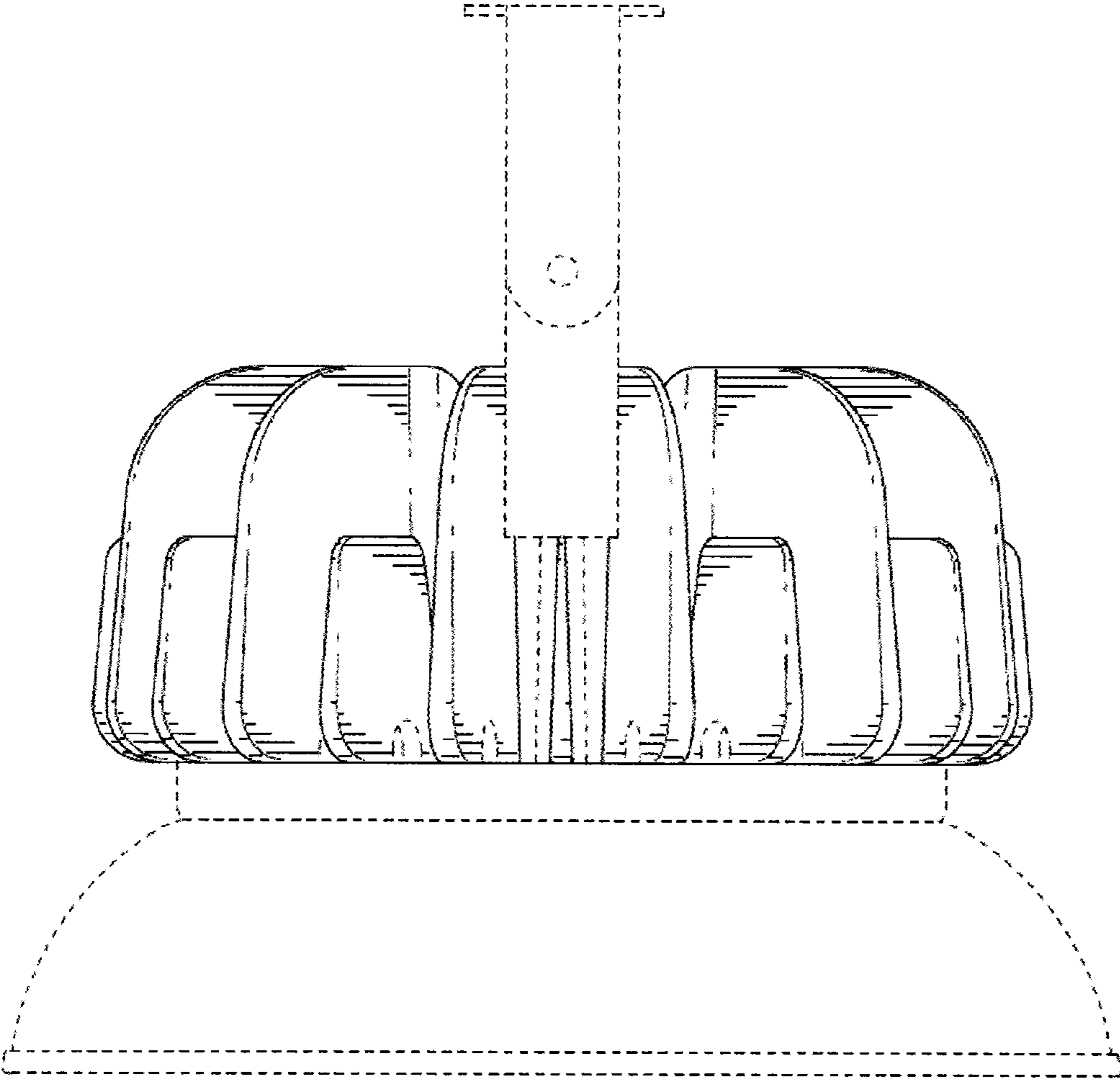


FIG. 3

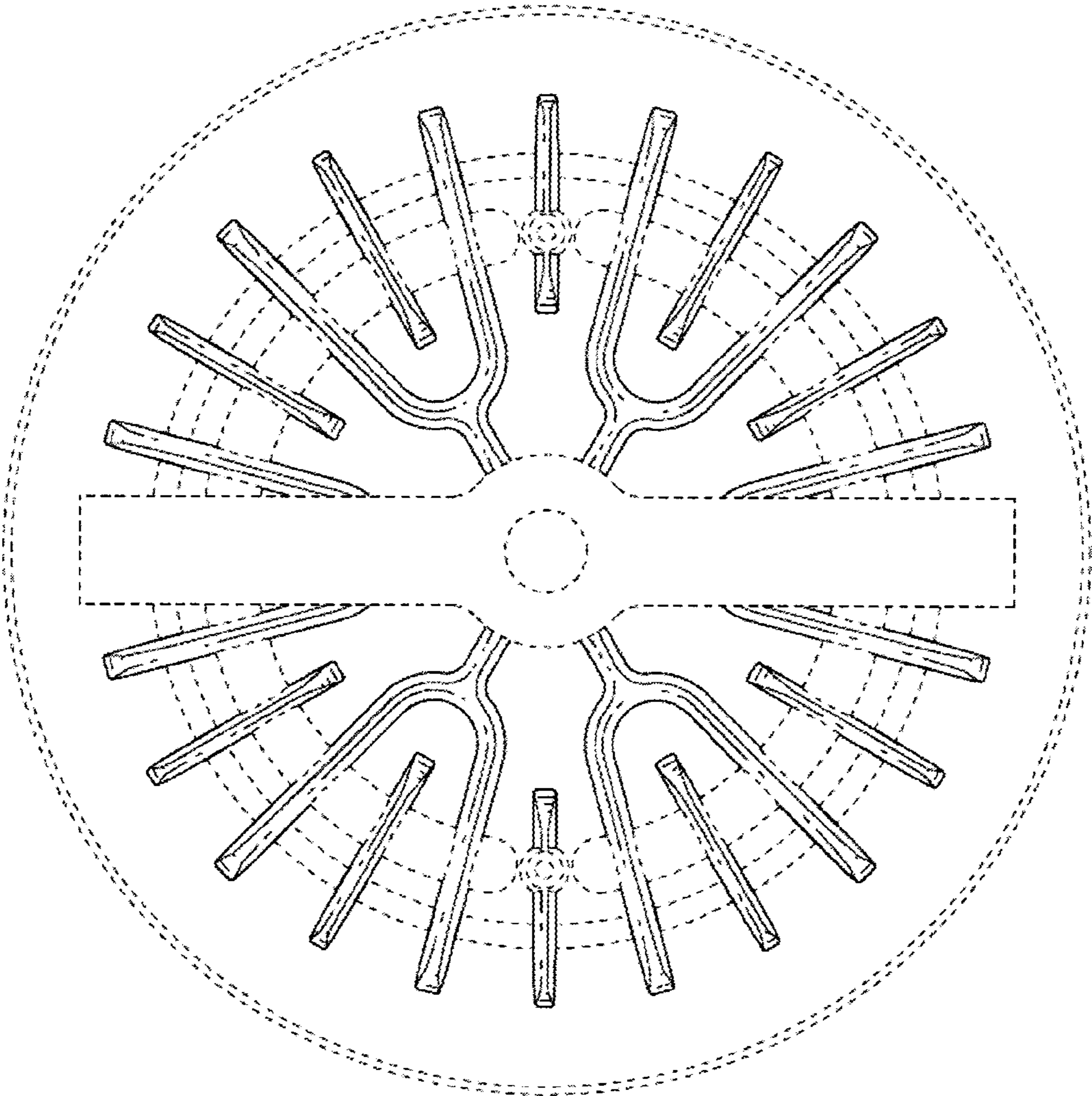


FIG. 4

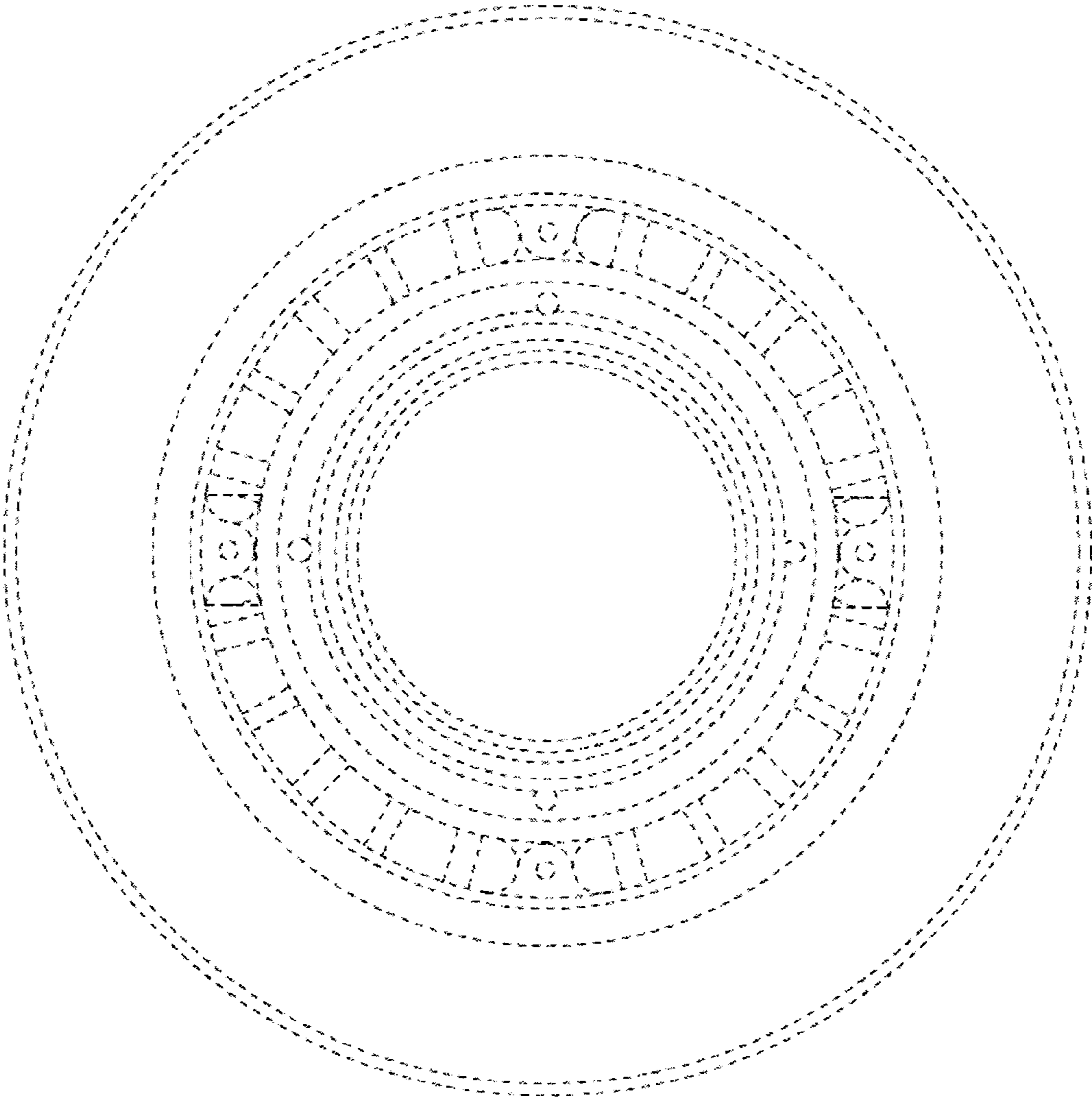


FIG. 5