



US00D762179S

(12) **United States Design Patent**
Wong

(10) **Patent No.:** **US D762,179 S**
(45) **Date of Patent:** **** Jul. 26, 2016**

(54) **REMOTE CONTROL STATION FOR CRANES**

(71) Applicant: **ABB Technology Ltd**, Zurich (DE)

(72) Inventor: **Kenny Wong**, Stockholm (SE)

(73) Assignee: **ABB Technology Ltd**, Zurich (CH)

(**) Term: **14 Years**

(21) Appl. No.: **29/515,076**

(22) Filed: **Jan. 20, 2015**

(51) **LOC (10) Cl.** **14-03**

(52) **U.S. Cl.**
USPC **D13/168**

(58) **Field of Classification Search**
USPC D13/162, 164, 168; D14/217, 400, 413;
D21/333; 212/285; 318/51; 361/679.01
CPC B66C 13/40; B66C 13/44; H03J 9/00;
H03J 9/02; H03J 9/04; H03J 9/06; H03J
1/0025; H04B 1/202; G05B 11/01; G08C
17/00; G08C 17/02; G08C 19/28
See application file for complete search history.

(56) **References Cited**

U.S. PATENT DOCUMENTS

4,508,014 A * 4/1985 Shoff B66C 13/40
137/596.12
D411,530 S * 6/1999 Carter D14/217

D451,529 S * 12/2001 Vasquez D13/164
6,474,922 B2 * 11/2002 Bachman B66C 1/34
212/278
D503,928 S * 4/2005 Obata D13/164
D525,212 S * 7/2006 Kim D13/162
8,350,672 B2 * 1/2013 Munzebrock G08C 17/02
340/12.22
D730,847 S * 6/2015 Weiss D13/168
2010/0322410 A1 * 12/2010 Lin H04M 1/0295
379/428.03
2011/0096473 A1 * 4/2011 Wang H05K 5/061
361/679.01
2015/0316408 A1 * 11/2015 Kroll G01G 23/32
212/285

* cited by examiner

Primary Examiner — Selina Sikder

(74) *Attorney, Agent, or Firm* — Whitmyer IP Group LLC

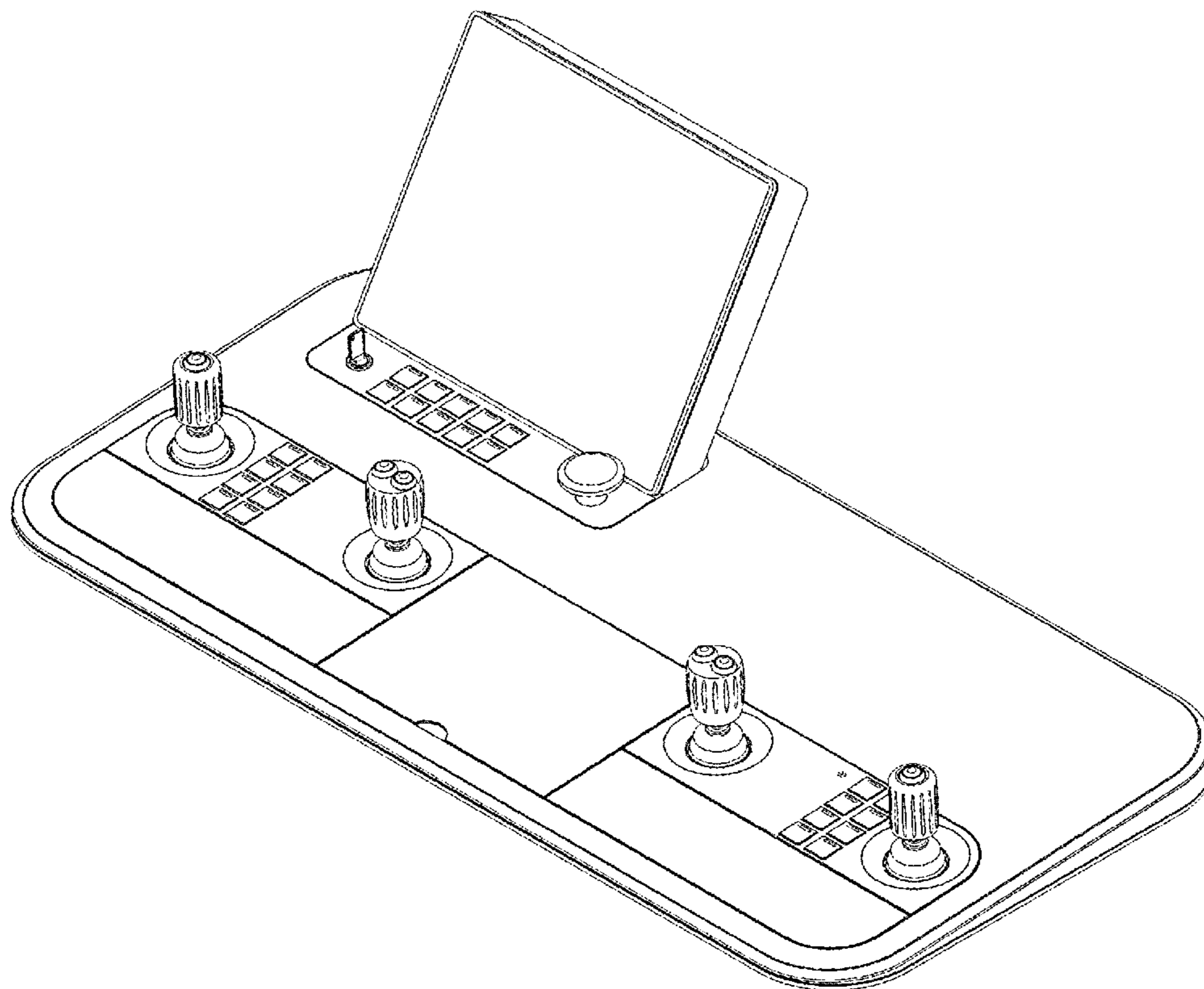
(57) **CLAIM**

The ornamental design for a remote control station for cranes, as shown and described.

DESCRIPTION

FIG. 1 is a front left side isometric view of a remote control station for cranes in accordance with the new design; FIG. 2 is a front right side isometric view thereof; FIG. 3 is a top plan view thereof; FIG. 4 is a front elevational view thereof; FIG. 5 is a rear elevational view thereof; FIG. 6 is a left side elevational view thereof; and, FIG. 7 is a right side elevational view thereof.

1 Claim, 7 Drawing Sheets



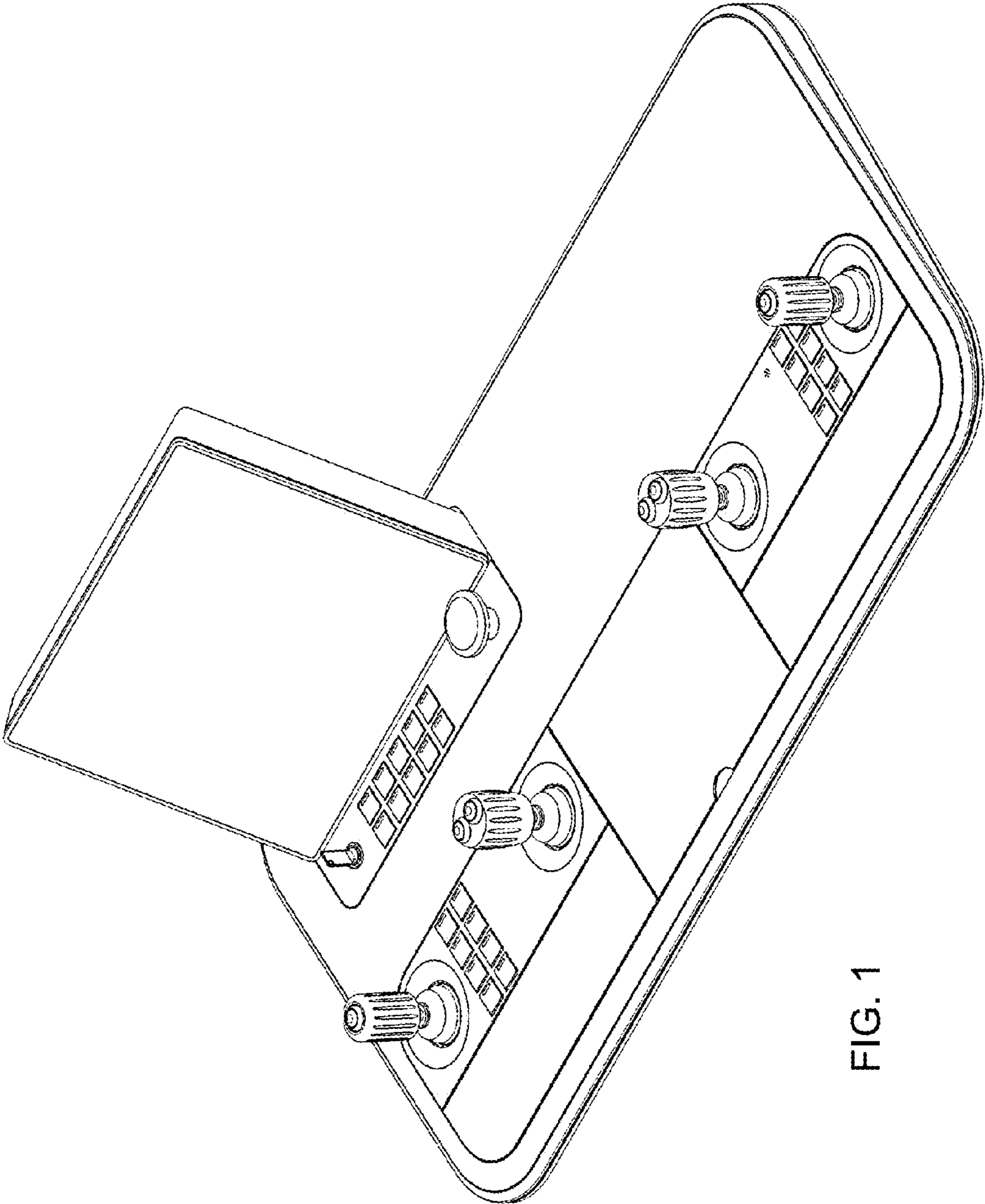


FIG. 1

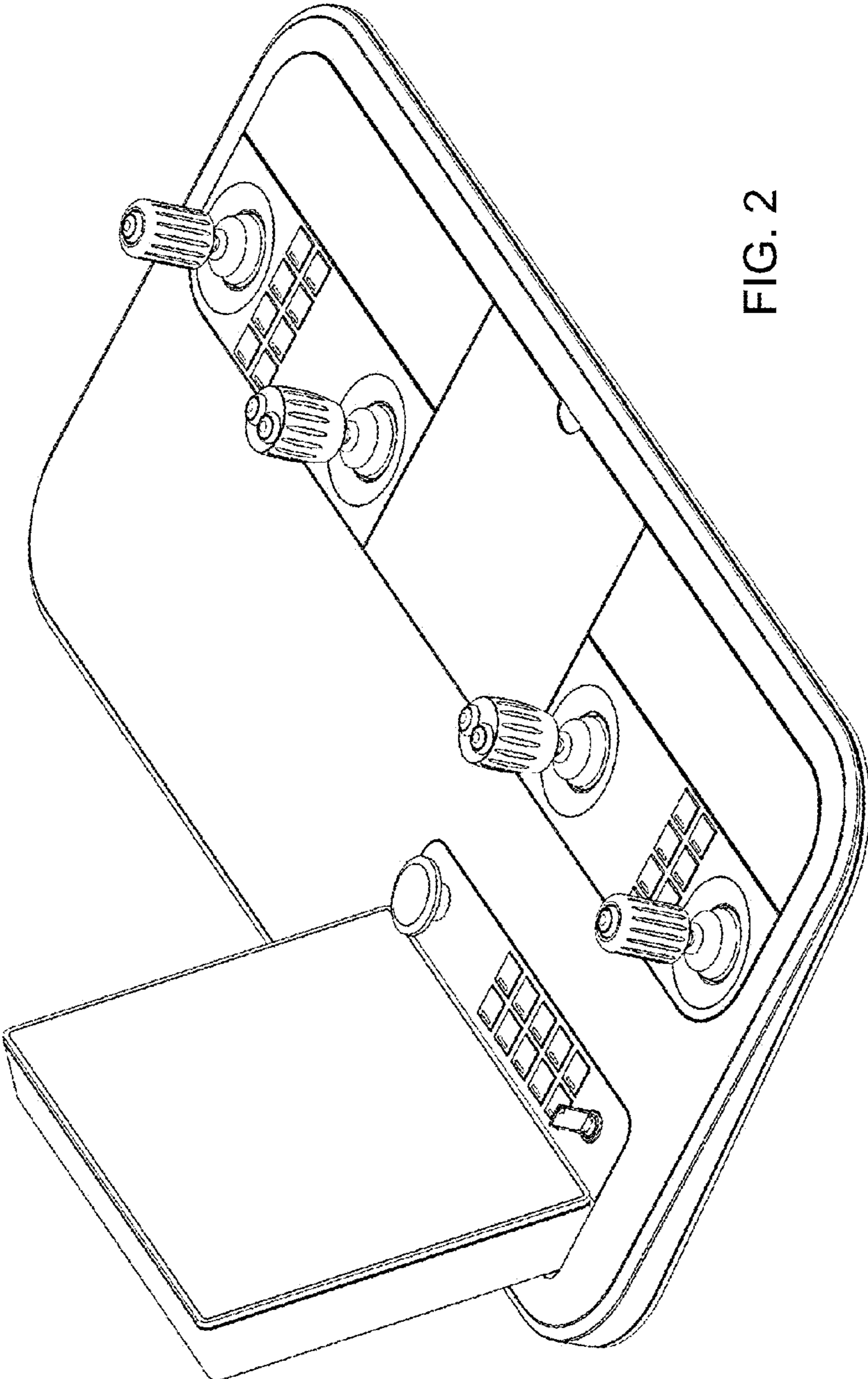


FIG. 2

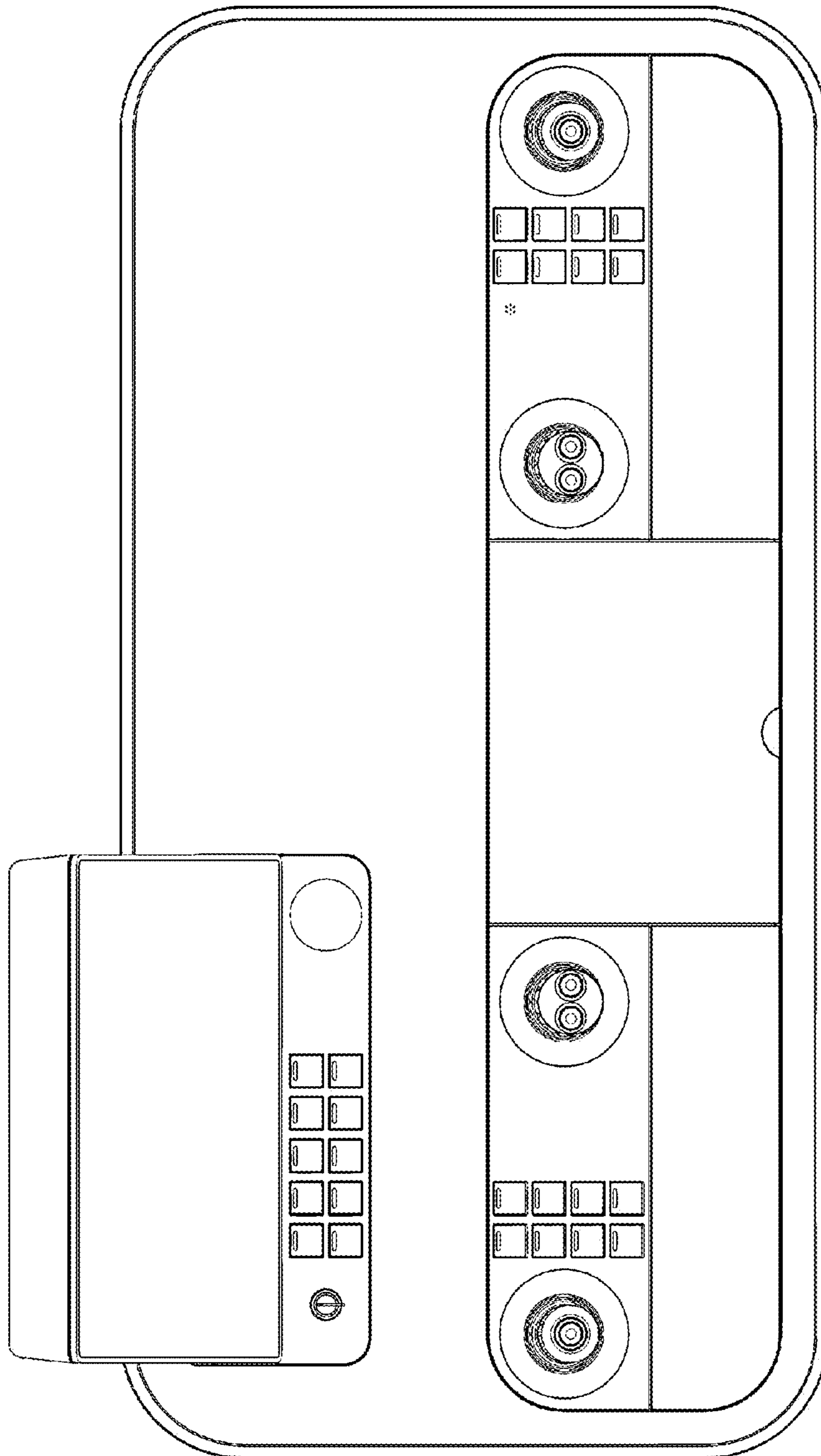


FIG. 3

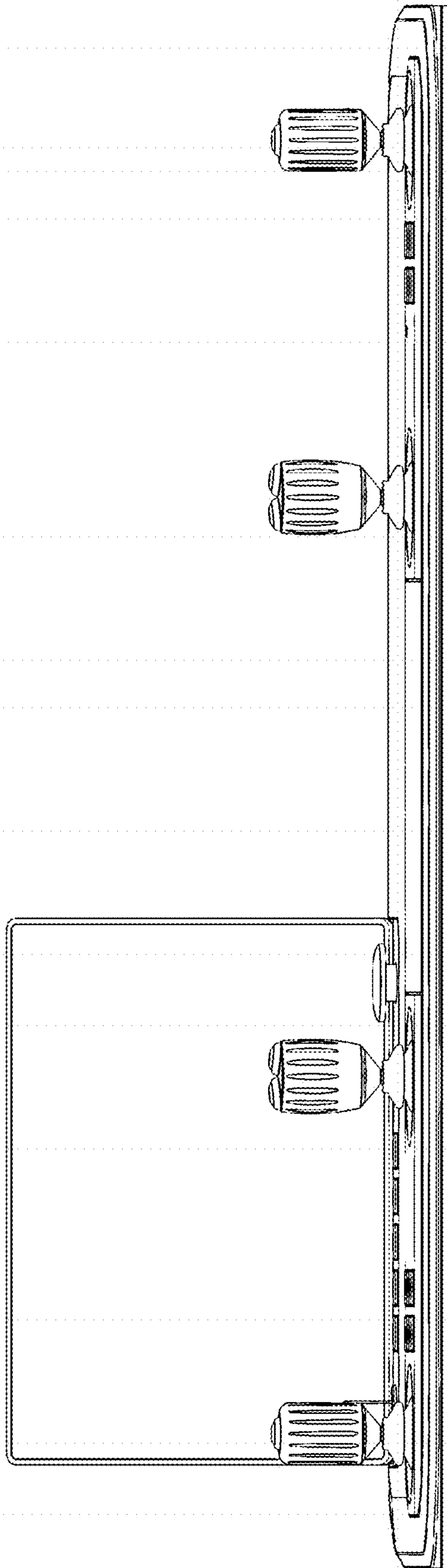


FIG. 4

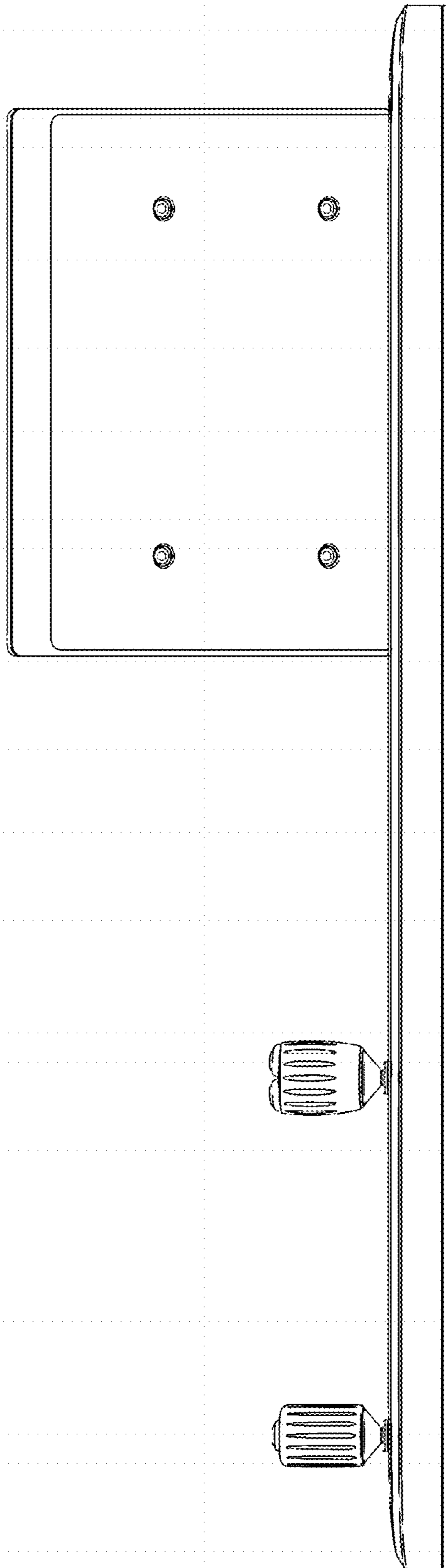


FIG. 5

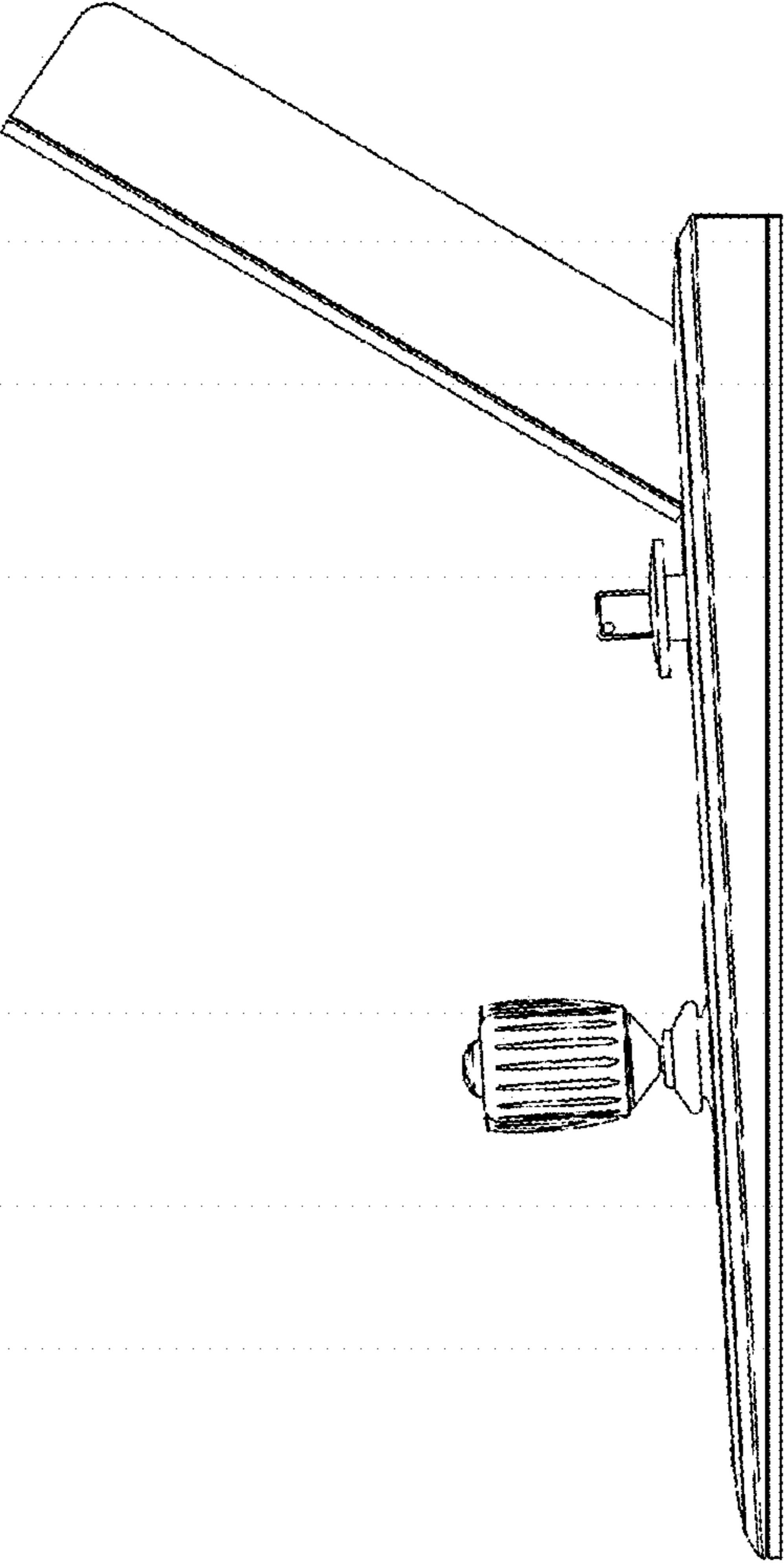


FIG. 6

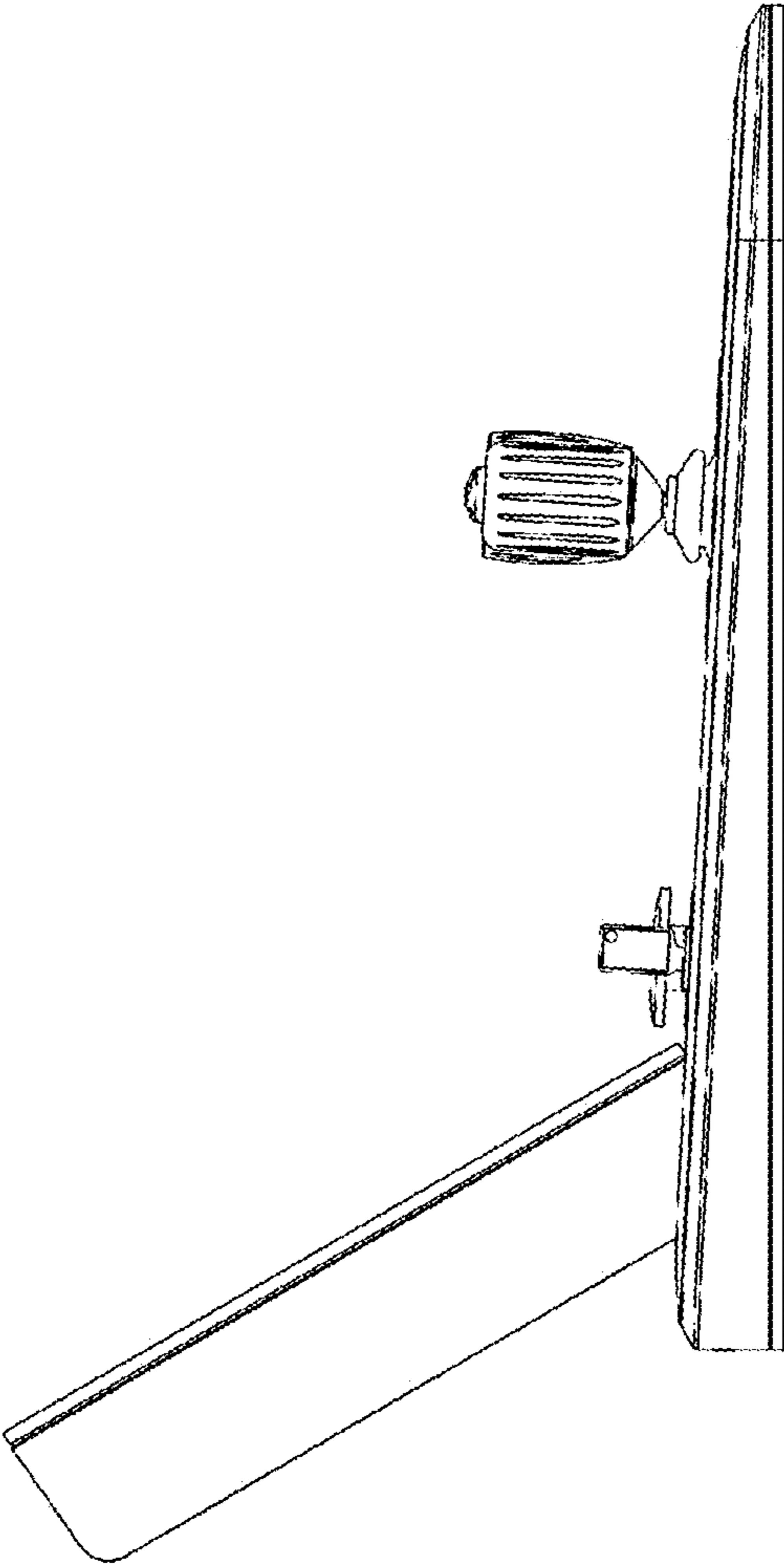


FIG. 7