

US00D762178S

(12) **United States Design Patent**  
**Liu et al.**

(10) **Patent No.:** **US D762,178 S**  
(45) **Date of Patent:** **\*\* Jul. 26, 2016**

(54) **PLUG CONNECTOR**

(56) **References Cited**

(71) Applicant: **Cheng Uei Precision Industry Co., Ltd.**, New Taipei (TW)

U.S. PATENT DOCUMENTS

(72) Inventors: **Feng-Tian Liu**, Dong-Guan (CN);  
**Lin-Kang Li**, Dong-Guan (CN); **Zhi Zhang**, Dong-Guan (CN); **Qiu-Xiang Mi**, Dong-Guan (CN)

D665,754 S *	8/2012	Cobbett	.....	D13/147
D713,350 S *	9/2014	Akana	.....	D13/147
D716,235 S *	10/2014	Tien	.....	D13/147
D733,658 S *	7/2015	Yang	.....	D13/147
2015/0072557 A1 *	3/2015	Kamei	.....	H01R 24/60 439/607.02

\* cited by examiner

(73) Assignee: **CHENG UEI PRECISION INDUSTRY CO., LTD.**, New Taipei (TW)

*Primary Examiner* — Daniel Bui  
(74) *Attorney, Agent, or Firm* — Cheng-Ju Chiang

(57) **CLAIM**  
The ornamental design for a plug connector, as shown and described.

(\*\*) Term: **14 Years**

**DESCRIPTION**

(21) Appl. No.: **29/515,626**

FIG. 1 is a perspective view of a plug connector showing our new design;  
FIG. 2 is a front elevational view thereof;  
FIG. 3 is a rear elevational view thereof;  
FIG. 4 is a left side elevational view thereof;  
FIG. 5 is a right side elevational view thereof;  
FIG. 6 is a top plan view thereof; and  
FIG. 7 is a bottom plan view thereof; and  
FIG. 8 is another perspective view of the plug connector showing our new design.

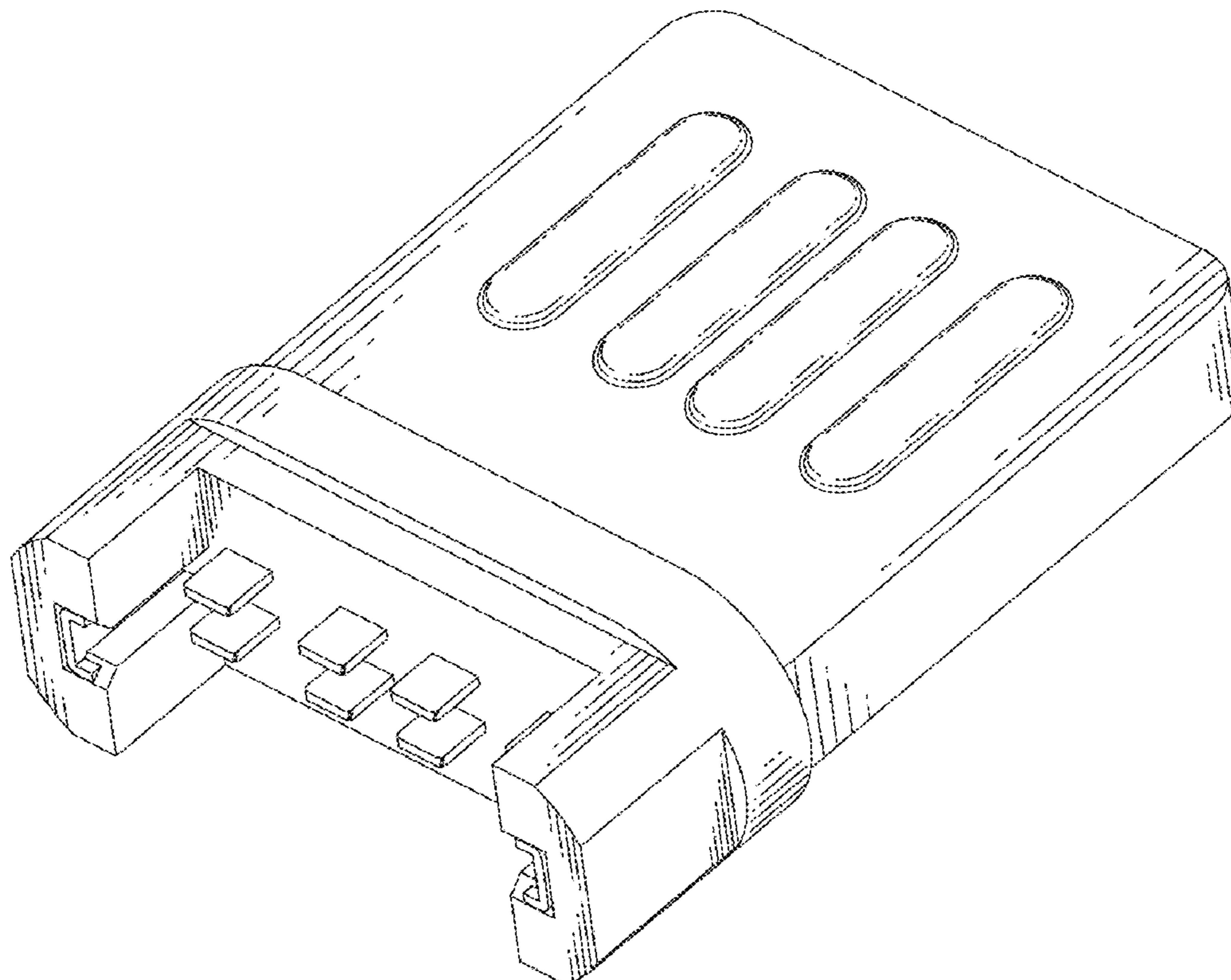
(22) Filed: **Jan. 25, 2015**

(51) **LOC (10) Cl.** ..... **13-03**

(52) **U.S. Cl.**  
USPC ..... **D13/147**

(58) **Field of Classification Search**  
USPC ..... D13/133, 147, 153, 154, 184, 199  
See application file for complete search history.

**1 Claim, 8 Drawing Sheets**



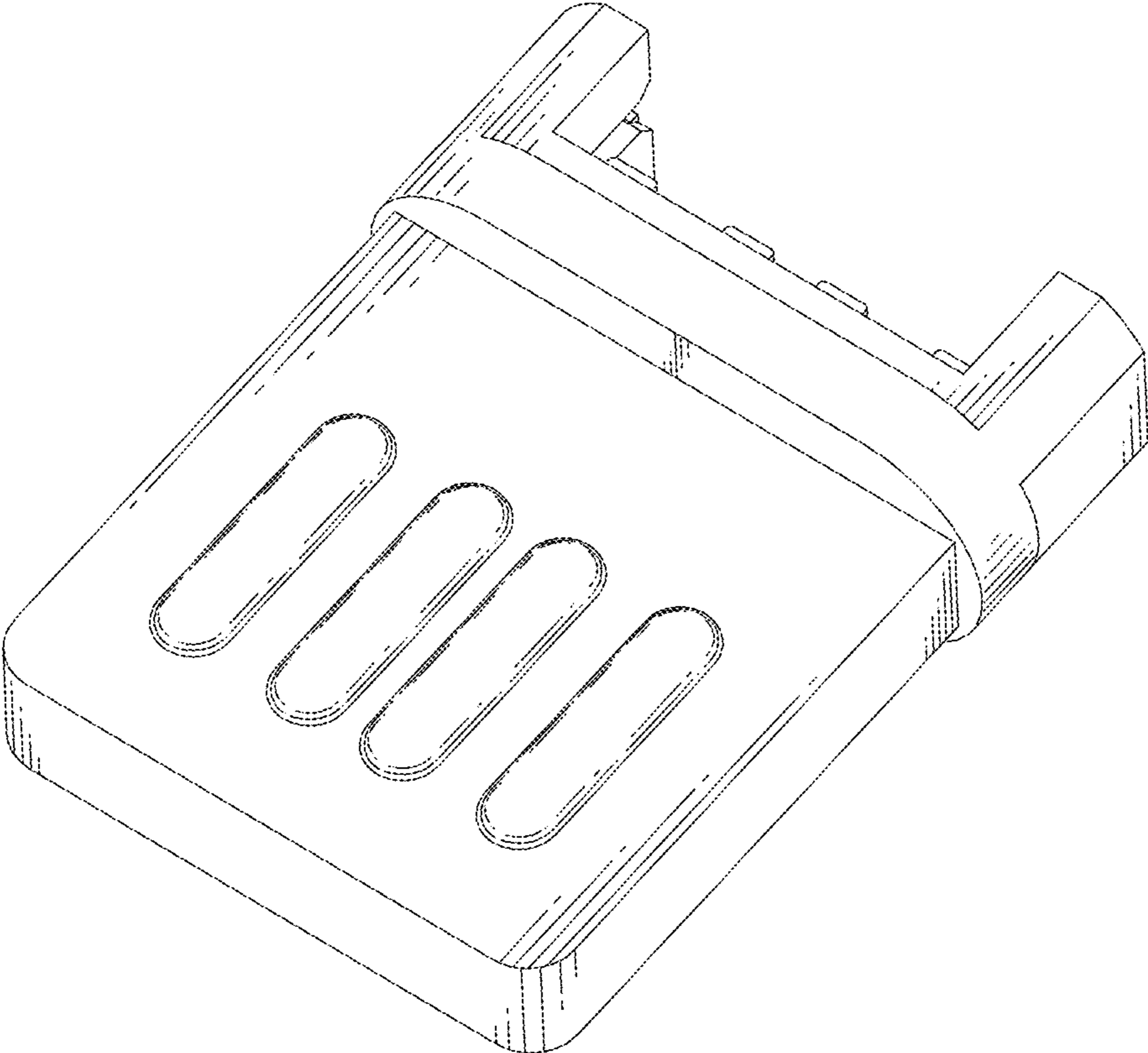


FIG. 1

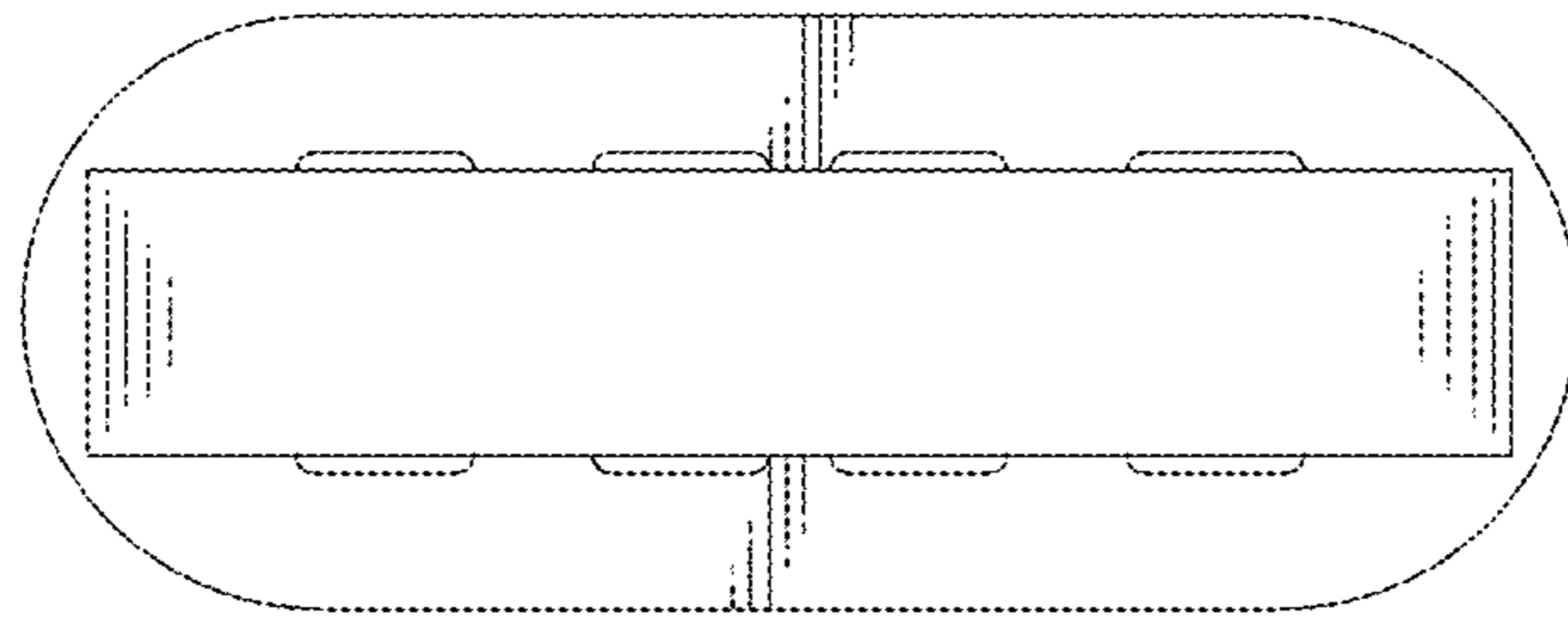


FIG. 2

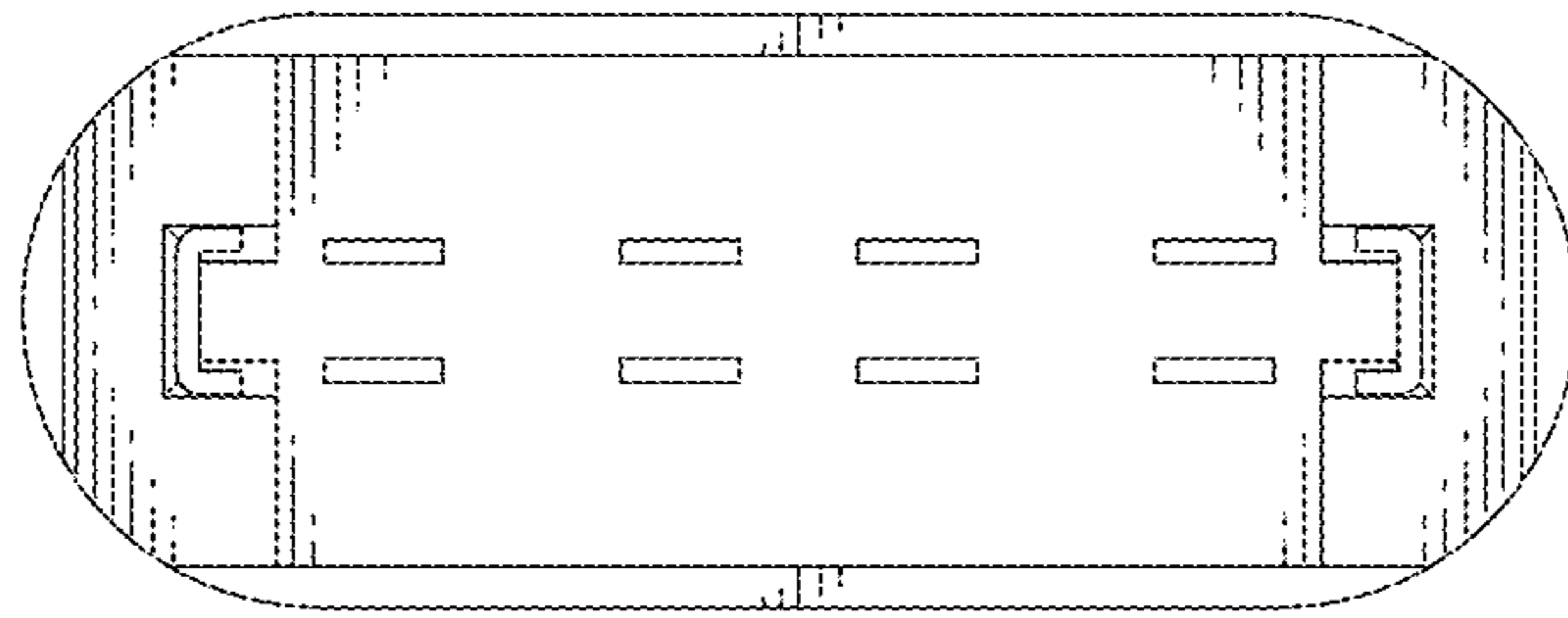


FIG. 3

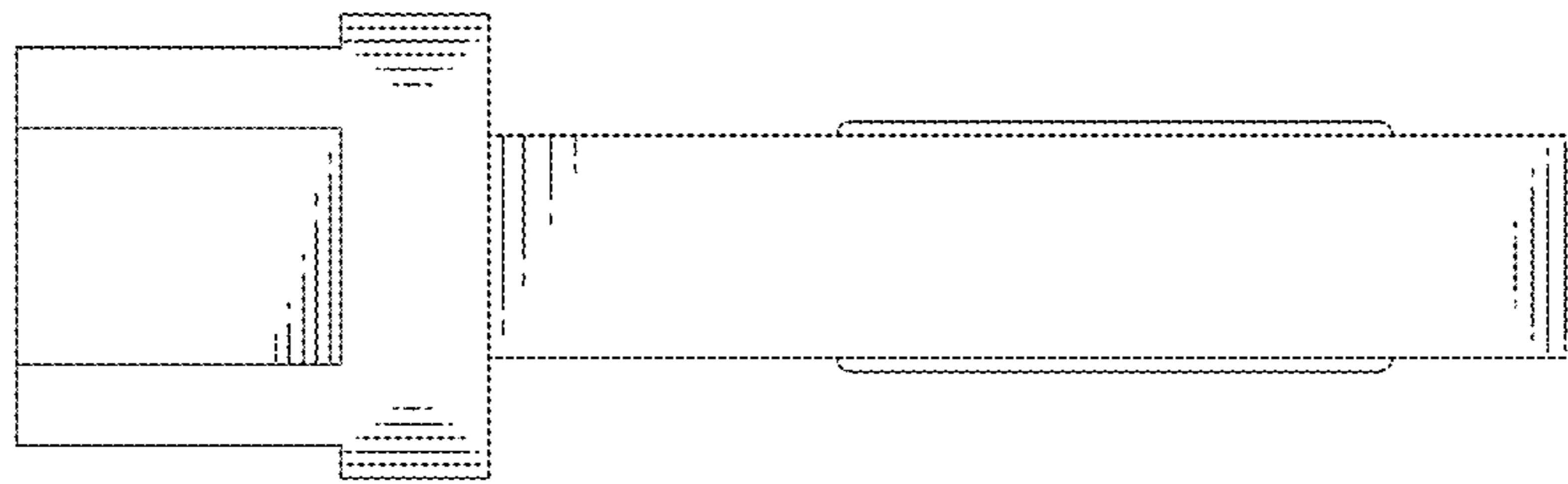


FIG. 4

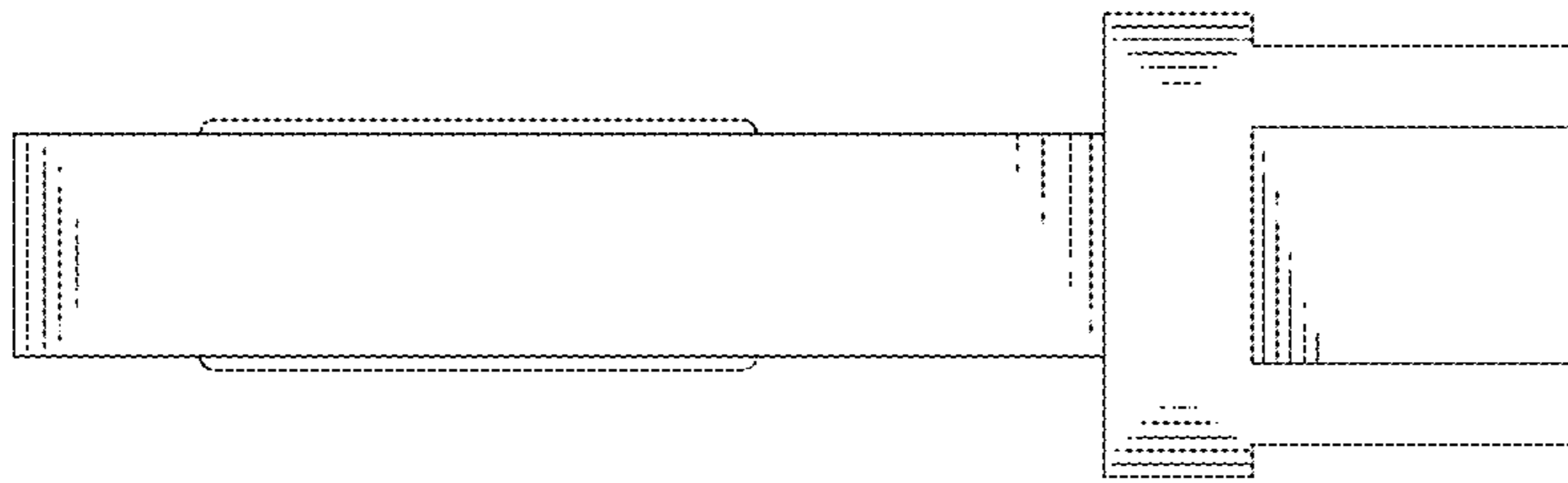


FIG. 5

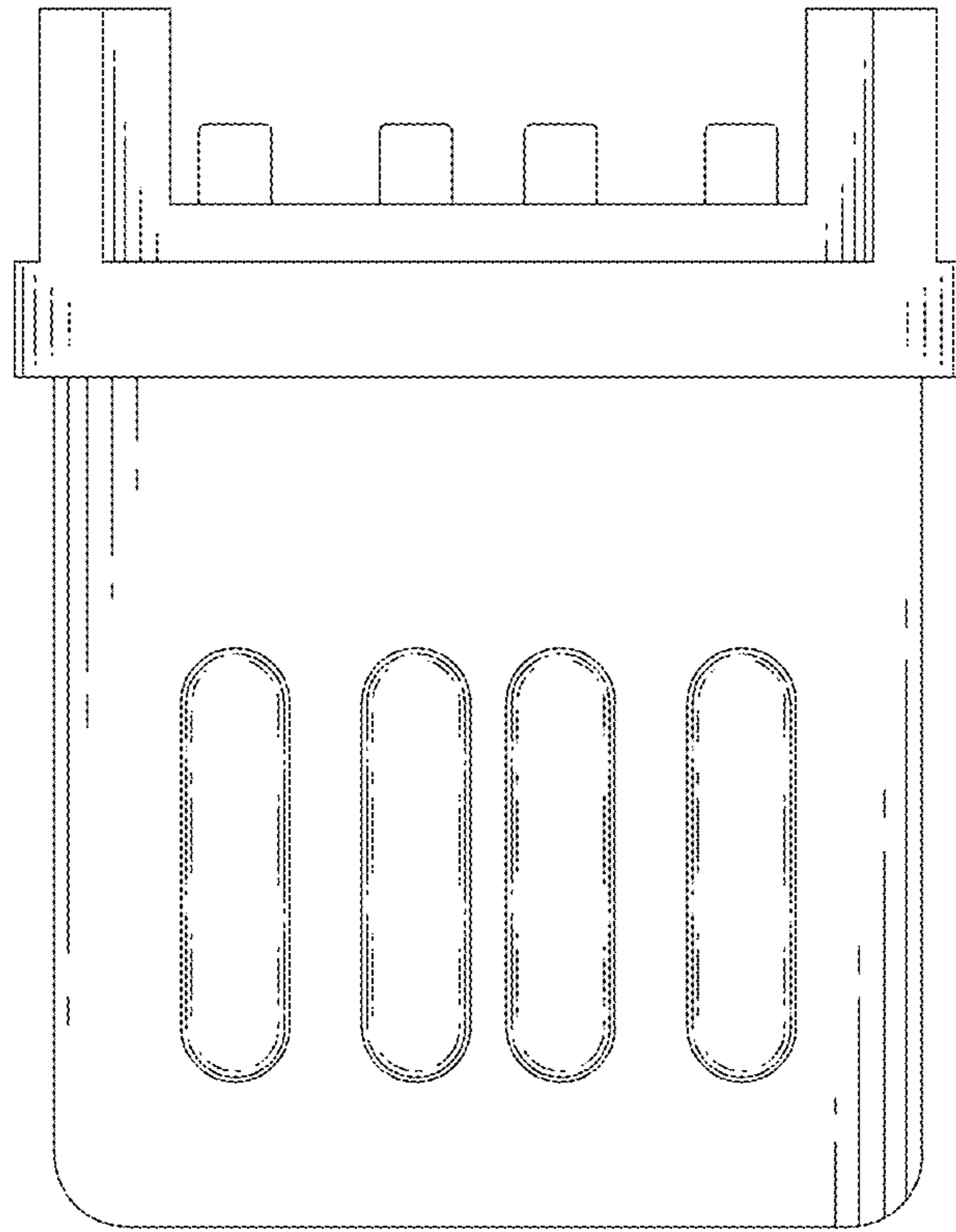


FIG. 6

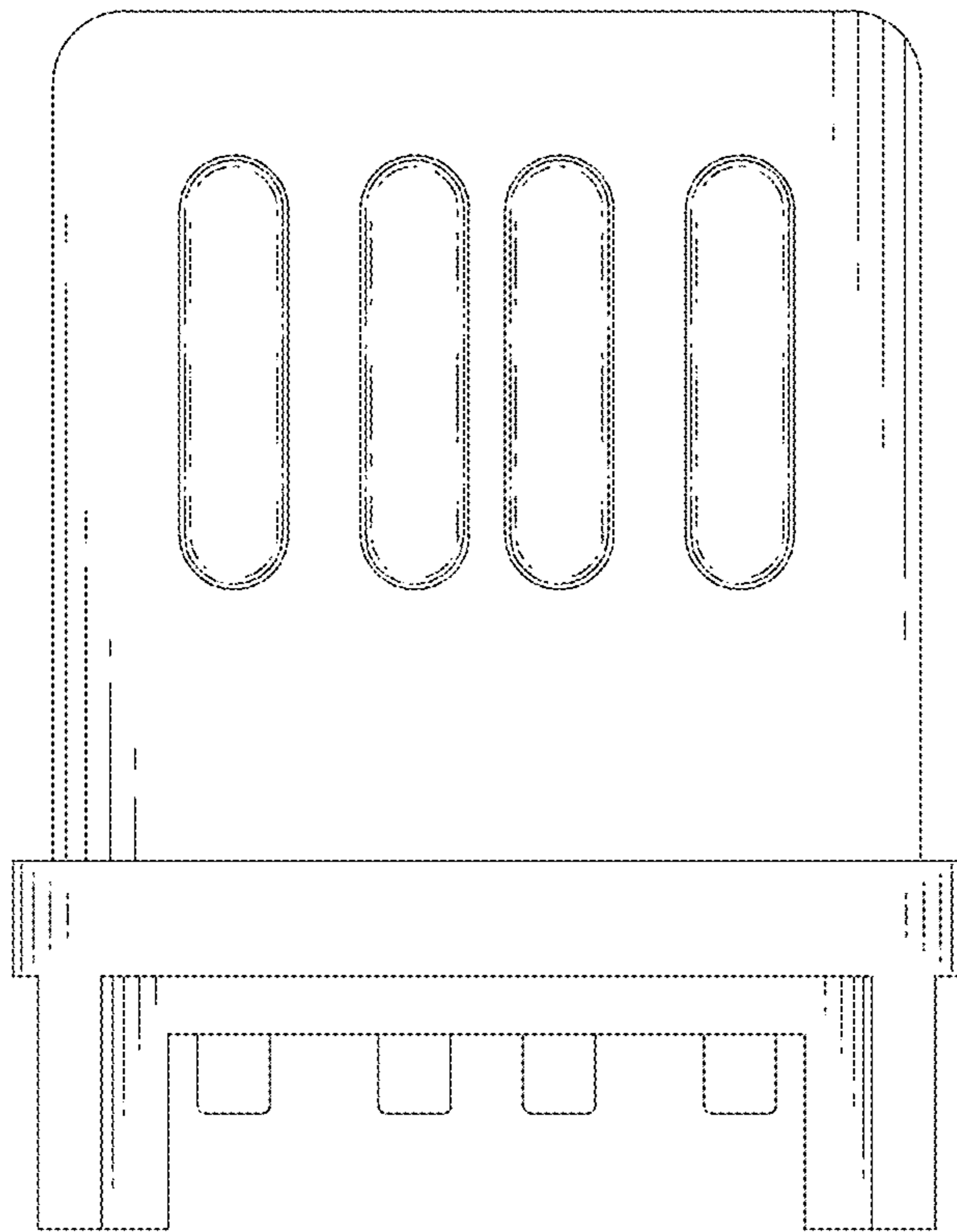


FIG. 7



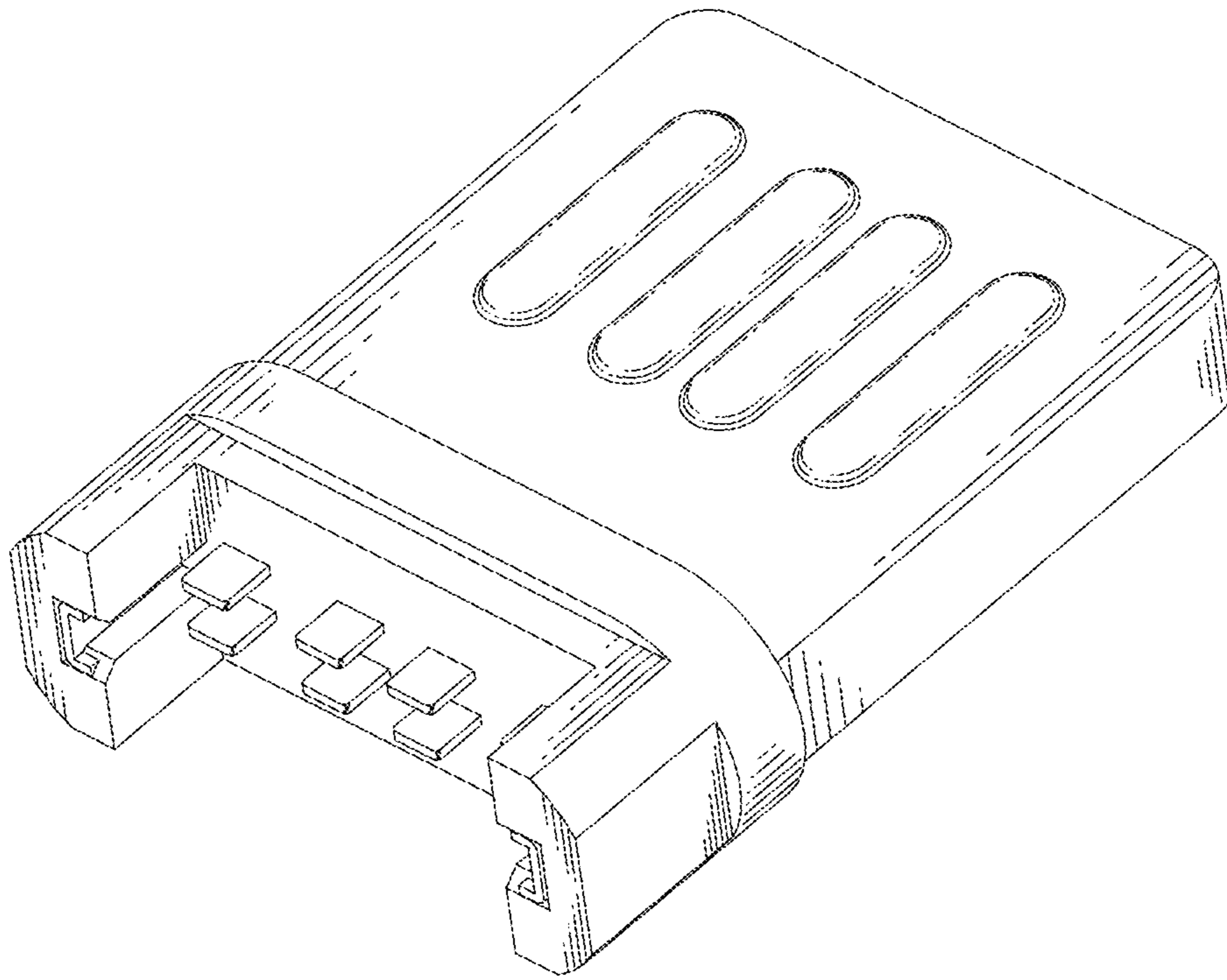


FIG. 8