



US00D762177S

(12) **United States Design Patent**
Sumwalt et al.

(10) **Patent No.:** **US D762,177 S**
(45) **Date of Patent:** **** Jul. 26, 2016**

- (54) **ELECTRICAL HUB**
- (71) Applicant: **Steelcase Inc.**, Grand Rapids, MI (US)
- (72) Inventors: **Andrew Thomas Nelson Sumwalt**, Grand Rapids, MI (US); **Duck Young Kong**, Beaverton, OR (US); **Mark McKenna**, East Grand Rapids, MI (US)
- (73) Assignee: **Steelcase Inc.**, Grand Rapids, MI (US)
- (**) Term: **14 Years**
- (21) Appl. No.: **29/502,155**
- (22) Filed: **Sep. 12, 2014**
- (51) **LOC (10) Cl.** **13-03**
- (52) **U.S. Cl.**
USPC **D13/139.4**
- (58) **Field of Classification Search**
USPC D13/139.4, 199, 139.5, 137.2, 139.1, D13/134; D6/686; 361/622; D14/447; 174/481
CPC H02B 1/26; H02G 3/185
See application file for complete search history.

7,441,924	B1	10/2008	Thames et al.	
7,510,446	B1	3/2009	Yu et al.	
D596,560	S	7/2009	Cutchins et al.	
D597,937	S	8/2009	Haw et al.	
D631,439	S	1/2011	Blain	
D669,856	S *	10/2012	Rosendahl	D13/139.5
D671,545	S *	11/2012	Guran	D14/447
D691,953	S *	10/2013	Chayer	D13/139.4
D692,831	S *	11/2013	Beldock	D13/139.4
D693,307	S *	11/2013	Beldock	D13/139.4
D693,308	S *	11/2013	Beldock	D13/139.4
8,598,453	B2 *	12/2013	Hsiao	H02G 3/185 174/481
D699,202	S *	2/2014	Rose	D13/199
D712,838	S *	9/2014	Beldock	D13/139.5
D715,225	S *	10/2014	Mininger	D13/139.4
D726,654	S *	4/2015	Jung	D13/137.2
2012/0081842	A1 *	4/2012	Ewing	H02B 1/26 361/622

* cited by examiner

Primary Examiner — Holly Baynham
Assistant Examiner — Rhea Shields
(74) *Attorney, Agent, or Firm* — Price Heneveld LLP

(57) **CLAIM**
We claim the ornamental design for an electrical hub, as shown and described.

(56) **References Cited**

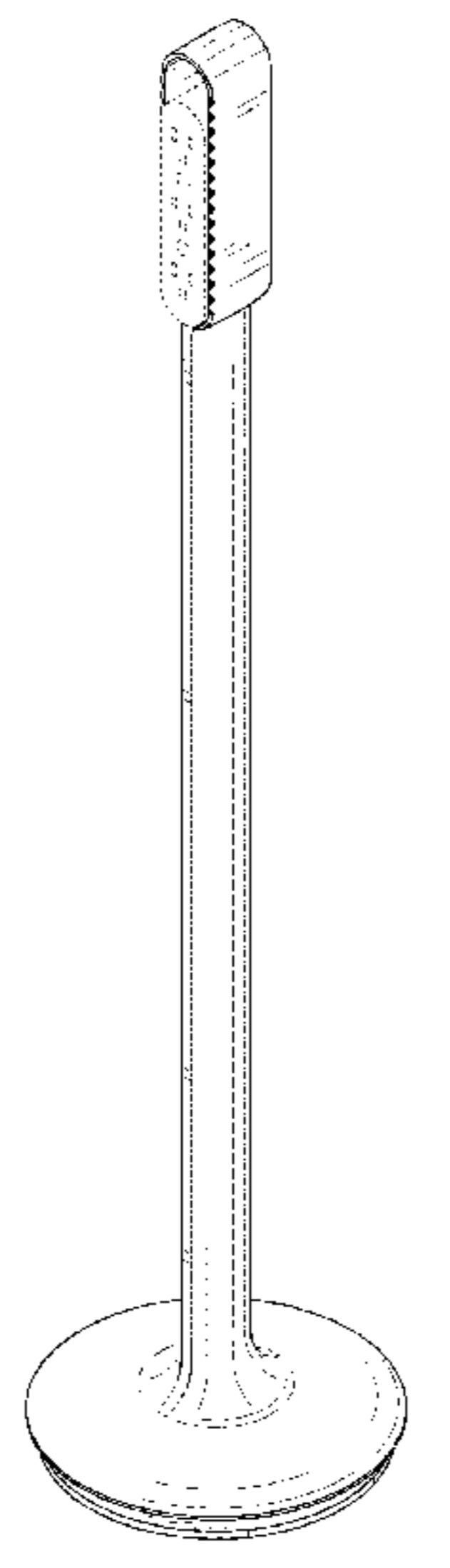
U.S. PATENT DOCUMENTS

D52,628	S *	11/1918	Bissell	D13/134
D126,590	S *	4/1941	Lewin	D13/139.4
D235,555	S *	6/1975	Plummer	D13/139.4
D244,465	S *	5/1977	Stoneman	D13/139.4
5,535,976	A	7/1996	Gruneisen, III	
5,921,795	A	7/1999	Weener et al.	
D426,520	S *	6/2000	Goins	D13/139.1
6,077,109	A	6/2000	Prazoff	
D448,346	S	9/2001	Hellwig et al.	
D472,520	S	4/2003	Genicevitch	
D473,518	S *	4/2003	Hellwig	D13/139.5
6,805,581	B2	10/2004	Love	
D534,869	S *	1/2007	Stekelenburg	D13/139.1
7,158,716	B2	1/2007	Shapiro et al.	
D544,248	S *	6/2007	Parisot	D6/686

DESCRIPTION

FIG. 1 is a front perspective view of an electrical hub embodying the present invention;
FIG. 2 is a rear perspective view of the electrical hub;
FIG. 3 is a front view of the electrical hub;
FIG. 4 is a rear view of the electrical hub;
FIG. 5 is a first side view of the electrical hub;
FIG. 6 is a second side view of the electrical hub;
FIG. 7 is a bottom view of the electrical hub; and,
FIG. 8 is a top view of the electrical hub.
In the drawings, the broken lines are for the purpose of illustrating environment only and form no part of the claimed design.

1 Claim, 3 Drawing Sheets



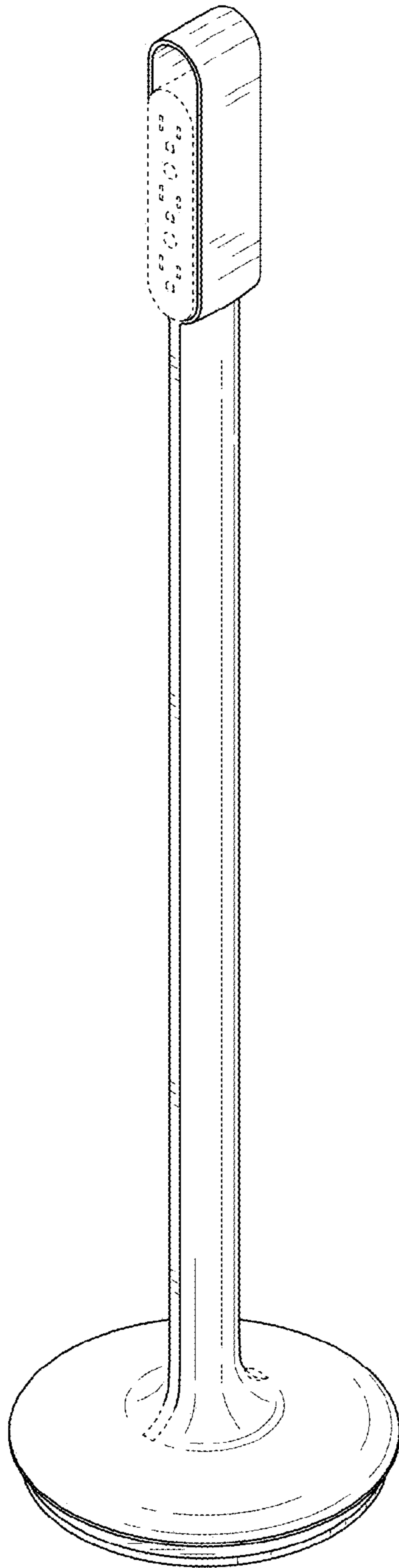


FIG. 1

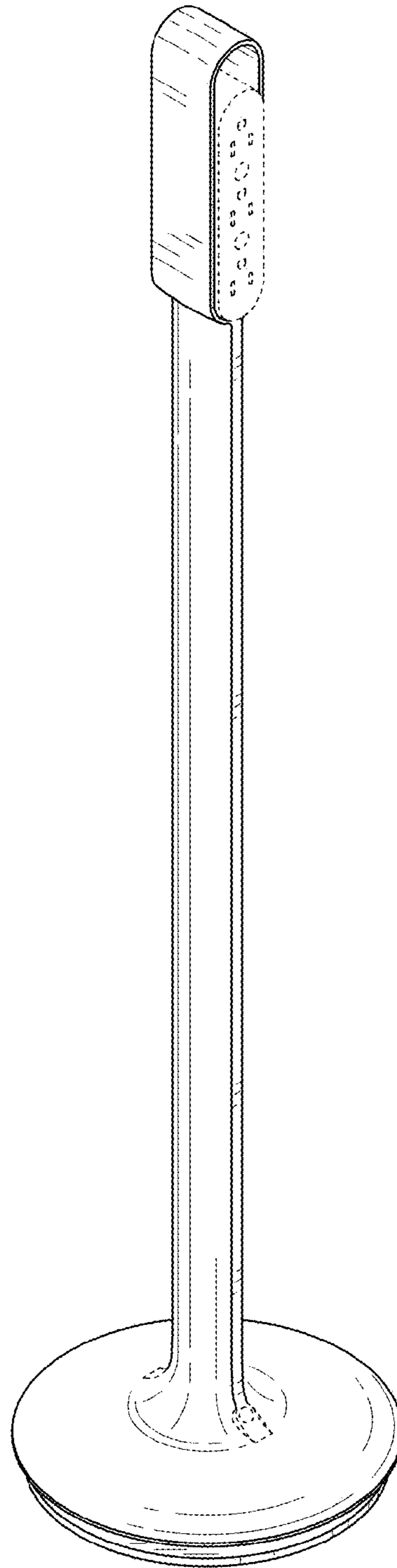


FIG. 2

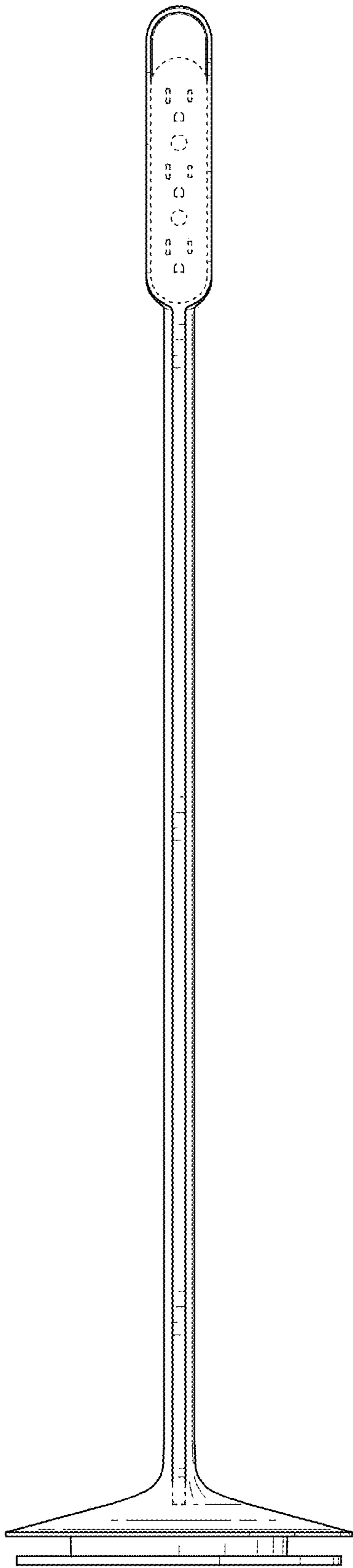


FIG. 3

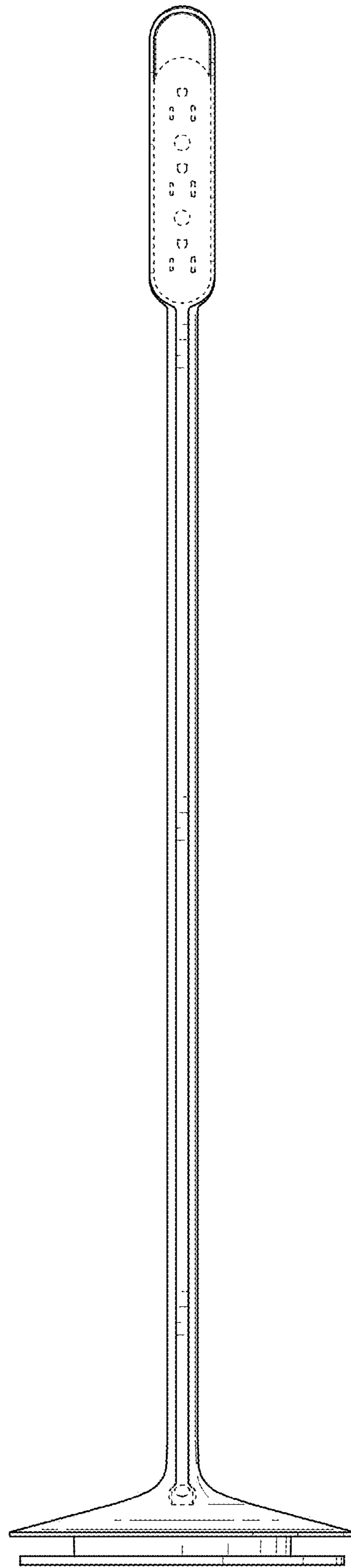


FIG. 4

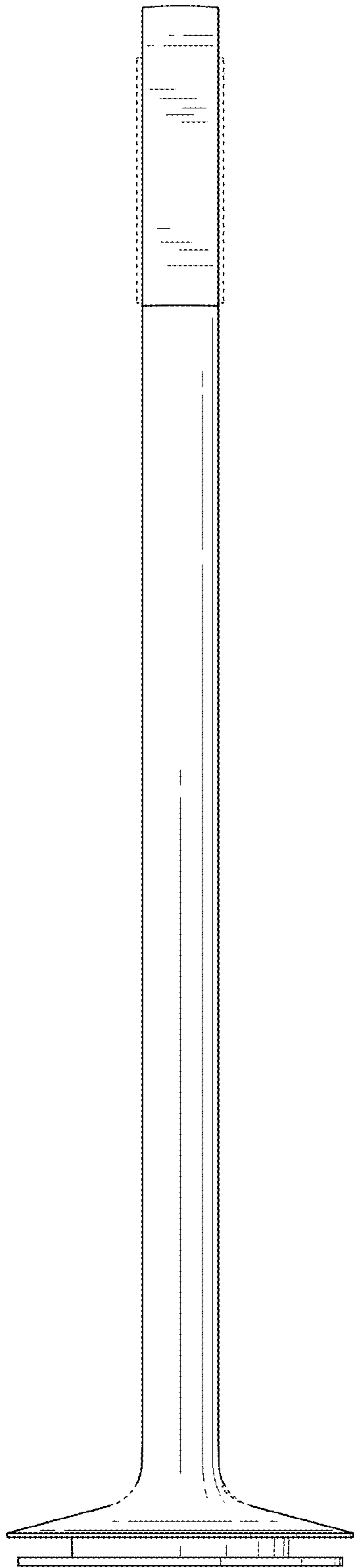


FIG. 5

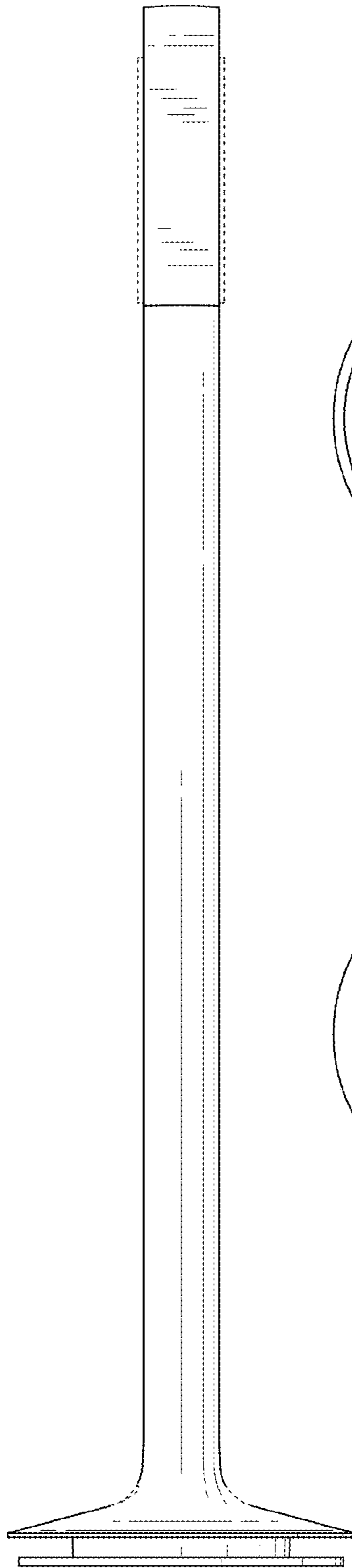


FIG. 6

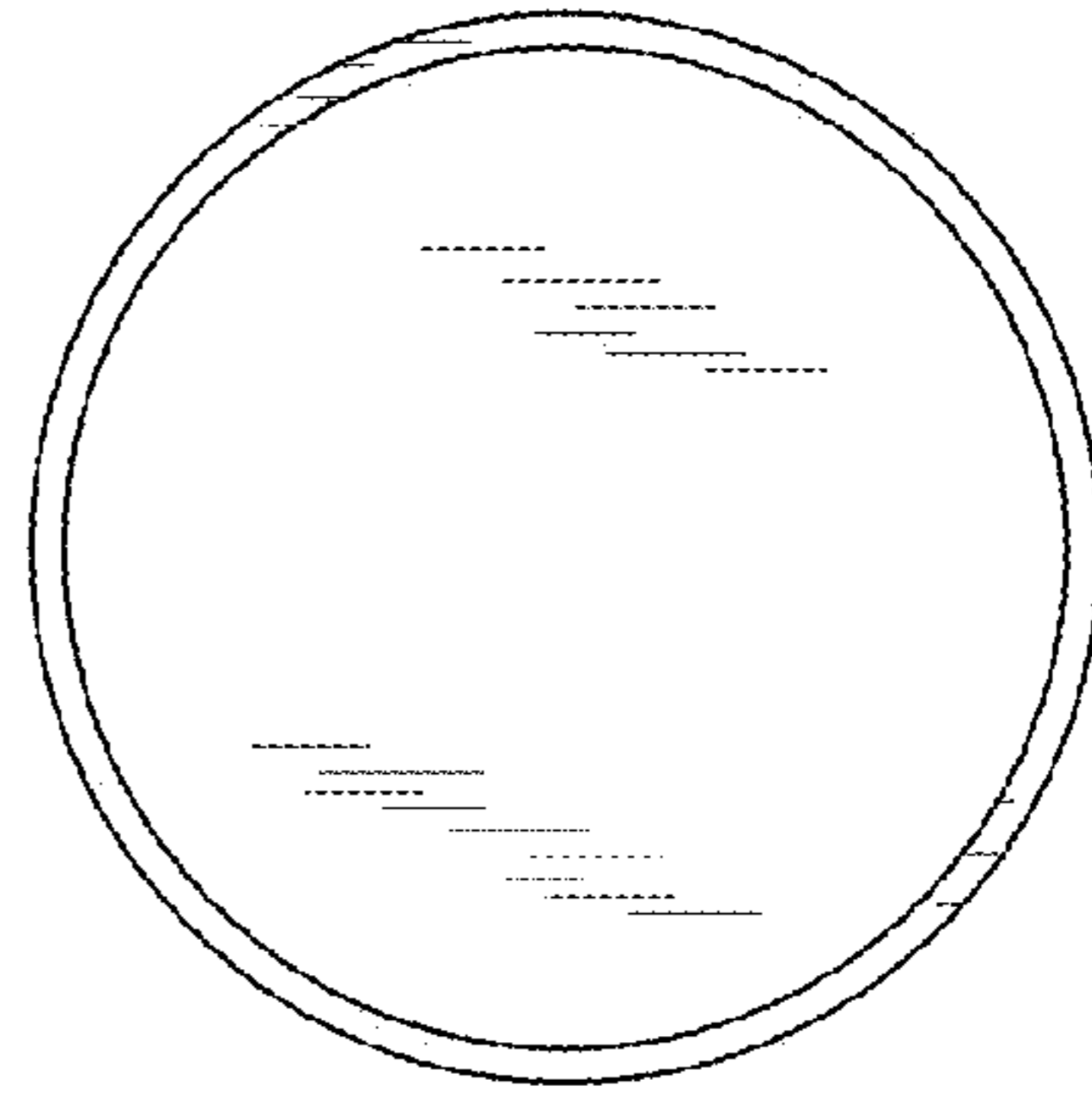


FIG. 7

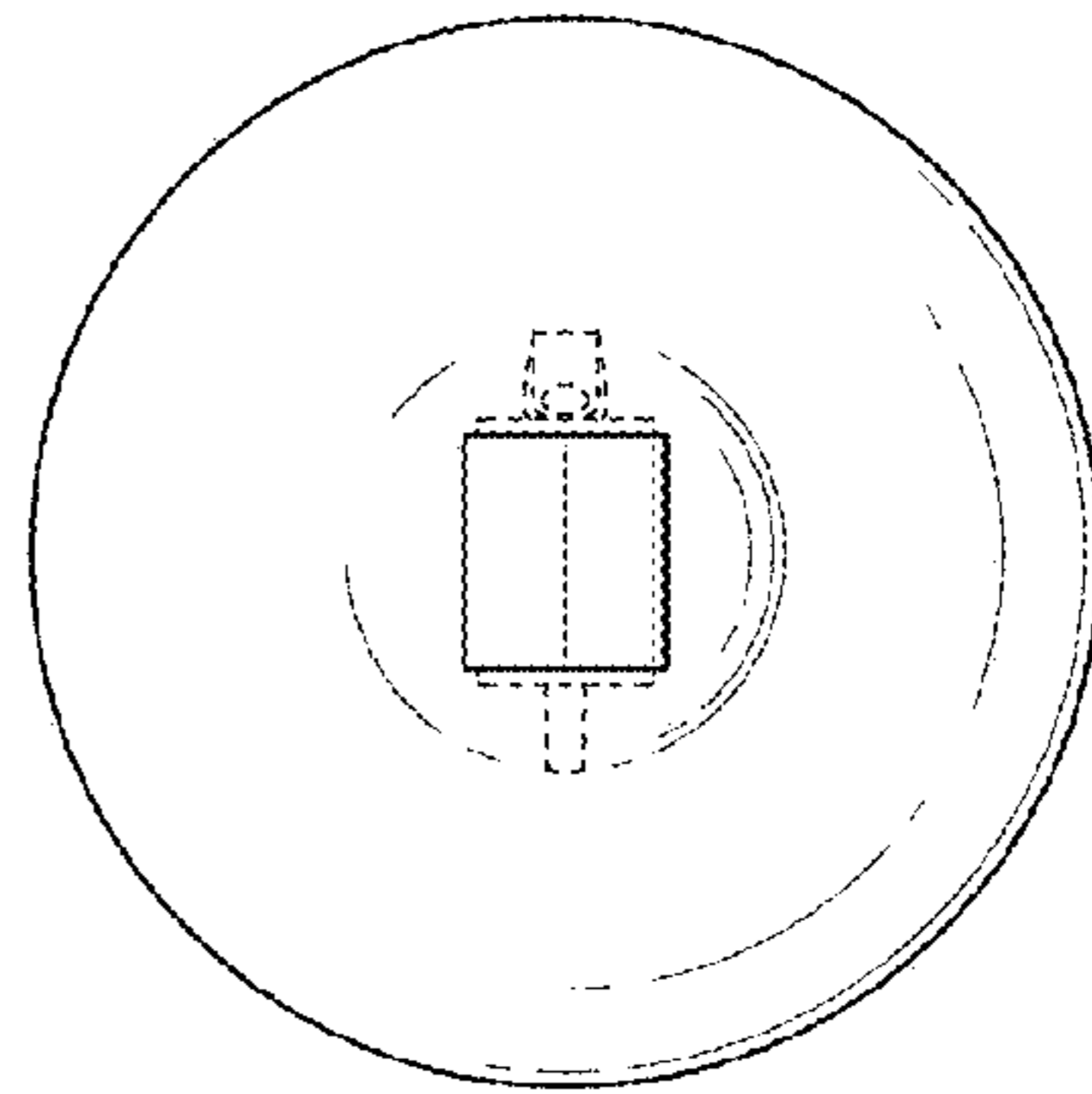


FIG. 8