

US00D762176S

(12) **United States Design Patent**
Byrne et al.

(10) **Patent No.:** **US D762,176 S**
(45) **Date of Patent:** **** Jul. 26, 2016**

(54) **ELECTRICAL POWER UNIT FOR A WORK SURFACE**

5,575,668 A 11/1996 Timmerman
5,647,751 A 7/1997 Shulman et al.
D389,459 S 1/1998 Byrne

(71) Applicants: **Norman R. Byrne**, Ada, MI (US);
Thomas A. Petersen, Sand Lake, MI (US)

(Continued)

OTHER PUBLICATIONS

Heyco datasheet entitled "Preassembled Cordset Components: Tri-Tap Premold-NEMA 5-15R," available at http://www.heyco.com/Power_Components/pdf/8-21-114.pdf, identified prior to Jan. 15, 2013.

(Continued)

(72) Inventors: **Norman R. Byrne**, Ada, MI (US);
Thomas A. Petersen, Sand Lake, MI (US)

(**) Term: **14 Years**

(21) Appl. No.: **29/519,621**

Primary Examiner — Holly Baynham
Assistant Examiner — Rhea Shields

(22) Filed: **Mar. 6, 2015**

(74) *Attorney, Agent, or Firm* — Gardner, Linn, Burkhart & Flory, LLP

(51) **LOC (10) Cl.** **13-03**

(52) **U.S. Cl.**
USPC **D13/139.1**

(57) **CLAIM**

The ornamental design for an electrical power unit for a work surface, as shown and described.

(58) **Field of Classification Search**
USPC D13/137.1–137.4, 138.1–138.2,
D13/139.1–139.8, 110, 152, 171; D24/186;
363/143, 146; 439/131, 137
CPC .. H01R 13/6675; H01R 13/44; H01R 31/065;
H01R 13/4534
See application file for complete search history.

DESCRIPTION

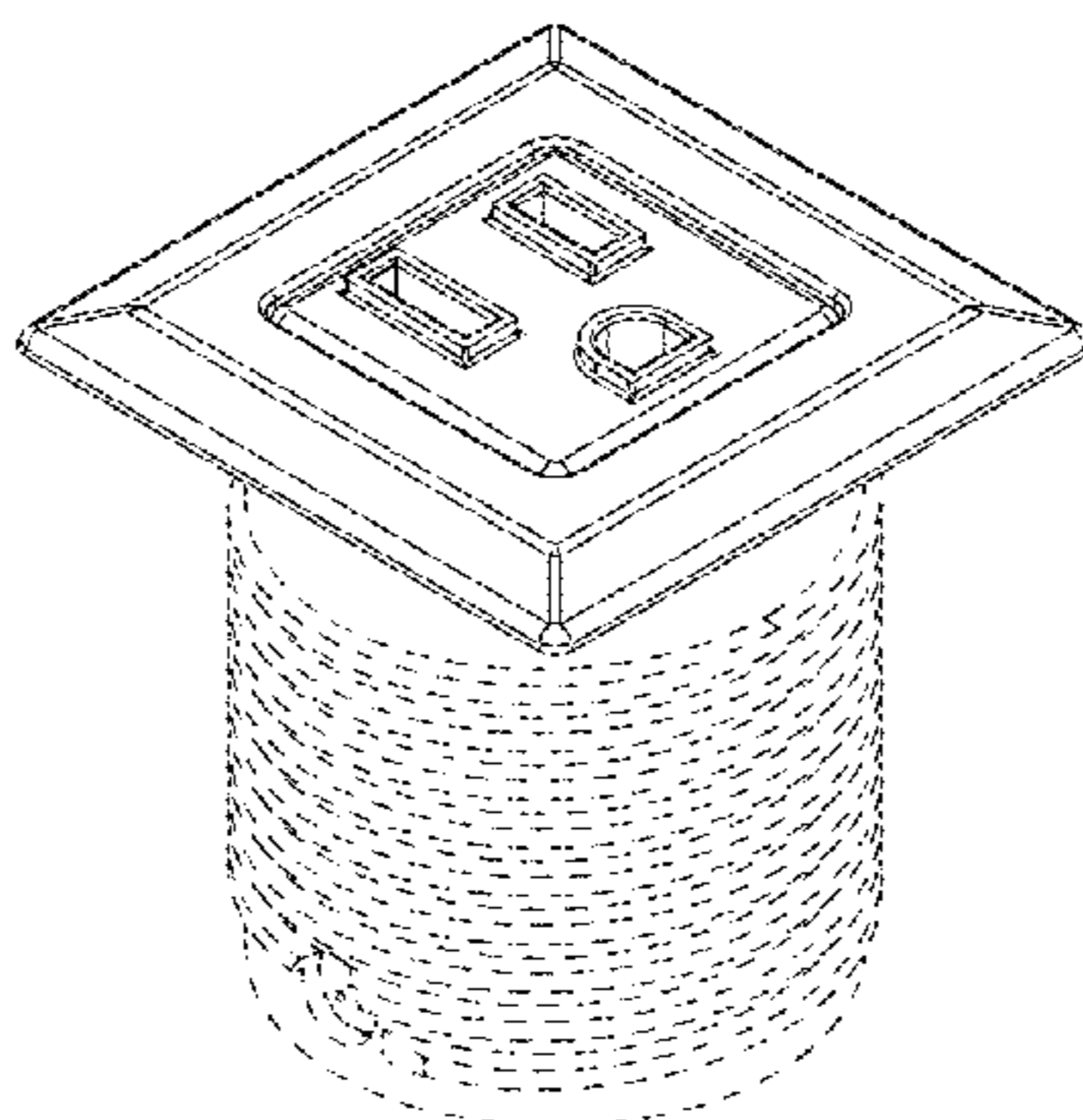
FIG. 1 is a top perspective view of an electrical power unit for a work surface showing our new design;
FIG. 2 is a bottom perspective view thereof;
FIG. 3 is a top plan view thereof;
FIG. 4 is a bottom plan view thereof;
FIG. 5 is a rear elevation thereof;
FIG. 6 is a front elevation thereof;
FIG. 7 is a right side elevation thereof;
FIG. 8 is a left side elevation thereof;
FIG. 9 is a top perspective view of another electrical power unit for a work surface showing our new design;
FIG. 10 is a bottom perspective view thereof;
FIG. 11 is a top plan view thereof;
FIG. 12 is a bottom plan view thereof;
FIG. 13 is a rear elevation thereof;
FIG. 14 is a front elevation thereof;
FIG. 15 is a right side elevation thereof; and,
FIG. 16 is a left side elevation thereof.
In the drawings, the broken lines depict unclaimed subject matter only and form no part of the claimed design.

(56) **References Cited**

U.S. PATENT DOCUMENTS

D78,966 S	7/1929	Conner	
2,249,827 A	7/1941	Herman	
3,611,257 A	10/1971	Carkhuff	
3,850,496 A	11/1974	Hague	
4,372,629 A	2/1983	Propst	
4,453,059 A	6/1984	Fukushima	
D295,622 S *	5/1988	Good D13/137.3
4,747,788 A	5/1988	Byrne	
4,984,982 A	1/1991	Brownlie	
D325,723 S	4/1992	Gary et al.	
5,234,355 A	8/1993	Sosinski et al.	
D342,937 S	1/1994	Angel, Jr. et al.	
D350,727 S	9/1994	Landry et al.	
D375,292 S	11/1996	D'Amato	

1 Claim, 4 Drawing Sheets



(56)

References Cited

U.S. PATENT DOCUMENTS

5,705,772 A 1/1998 Brown
 5,709,156 A 1/1998 Gevaert
 D399,826 S 10/1998 Byrne
 D405,416 S 2/1999 Byrne
 5,888,093 A 3/1999 Polgar et al.
 D409,980 S 5/1999 Byrne
 5,922,993 A 7/1999 Ide et al.
 D418,815 S 1/2000 Byrne
 6,024,599 A 2/2000 Stathis et al.
 6,081,356 A 6/2000 Branc et al.
 D430,539 S 9/2000 Leopold et al.
 6,290,512 B1 9/2001 Mullen, Jr.
 6,307,152 B1 10/2001 Bonilla et al.
 6,488,540 B2 12/2002 Coyle et al.
 6,492,591 B1 12/2002 Metcalf
 D479,825 S 9/2003 Hung
 6,923,684 B2 8/2005 Strayer
 6,981,896 B2 1/2006 Su
 D514,518 S 2/2006 Strayer
 7,053,296 B2 5/2006 Drane et al.
 D534,495 S 1/2007 Gershfeld
 D537,039 S 2/2007 Pincek
 7,244,128 B2 7/2007 Byrne
 7,258,564 B1 8/2007 Su
 D553,306 S 10/2007 Hansen
 D558,676 S 1/2008 Fort et al.
 D568,816 S 5/2008 Micheals
 D573,950 S 7/2008 Schwartz
 7,559,795 B2 7/2009 Byrne
 D601,503 S 10/2009 Gribble et al.
 D614,574 S 4/2010 Tommes
 7,806,723 B2 10/2010 Chong et al.
 7,833,037 B2 11/2010 Reusche et al.
 D633,870 S 3/2011 Thommes
 D647,853 S 11/2011 Kan
 D653,215 S 1/2012 Lam
 D670,248 S 11/2012 Chen
 D674,754 S 1/2013 Zanoni et al.

D677,630 S 3/2013 Zien et al.
 D681,554 S 5/2013 Nelson et al.
 D682,212 S 5/2013 Udagawa et al.
 8,480,415 B2 7/2013 Byrne
 8,512,065 B2 8/2013 Byrne et al.
 D698,314 S * 1/2014 Byrne D13/139.3
 D701,836 S 4/2014 Byrne
 8,736,106 B2 5/2014 Byrne
 D707,626 S 6/2014 Atkinson et al.
 D711,323 S 8/2014 Wardenburg
 D714,726 S 10/2014 Byrne et al.
 D721,330 S 1/2015 Byrne
 D722,563 S 2/2015 Byrne
 8,987,642 B2 3/2015 Byrne
 D730,834 S 6/2015 Byrne
 D739,821 S 9/2015 Byrne et al.
 D741,266 S 10/2015 Byrne et al.
 D741,267 S 10/2015 Byrne et al.
 D744,951 S * 12/2015 Oosterman D13/139.1
 2006/0258195 A1 11/2006 Schwartz et al.
 2007/0275594 A1 11/2007 Greenberg
 2010/0068908 A1 3/2010 Byrne
 2011/0244700 A1 10/2011 Byrne
 2015/0037989 A1 * 2/2015 Byrne H01R 13/4534
 439/137

OTHER PUBLICATIONS

<http://www.grainger.com/Grainger/Plug-Adaptor-11K293?Pid=search>, identified May 2, 2013.
http://www.zingearpc.en.ec21.com/Zing_Ear_Snap_In_Receptacle--5769349_5769674.html, identified May 2, 2013.
 "Leviton 120V . . .", reference dated Sep. 17, 2014, found on the internet at: http://www.auberins.com/index.php?main_page=product_info&products_id=409.
 "Wholesale 1-7/8 . . .", referenced dated Jan. 19, 2010, found on the internet at; <http://www.wellpromo.com/Wholesale/Power-Supplies-Inverters/1-7-8-x3-1-4--Giftcor-Universal-Power-Adaptor-Plug-86799.htm>.

* cited by examiner

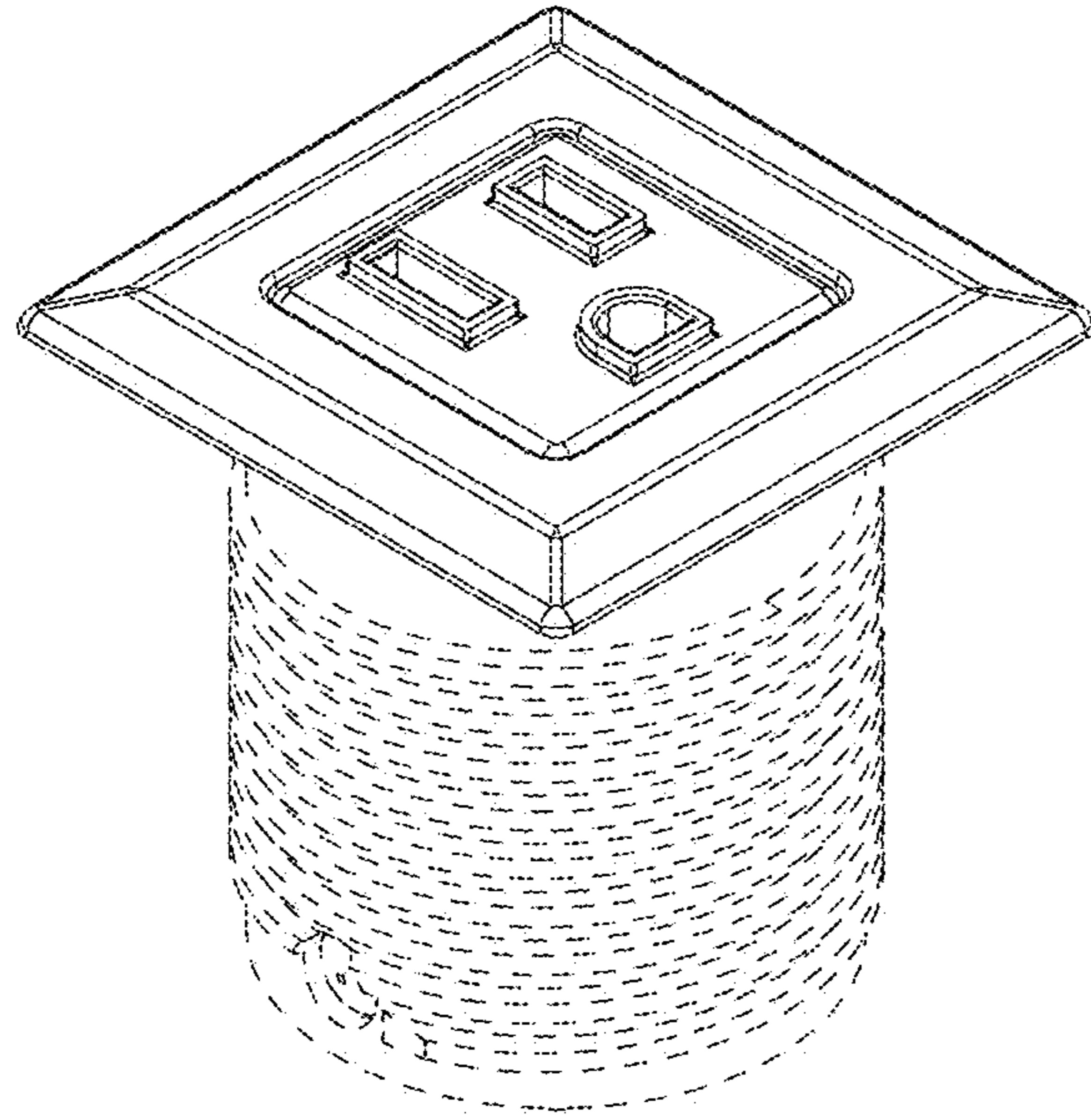


FIG. 1

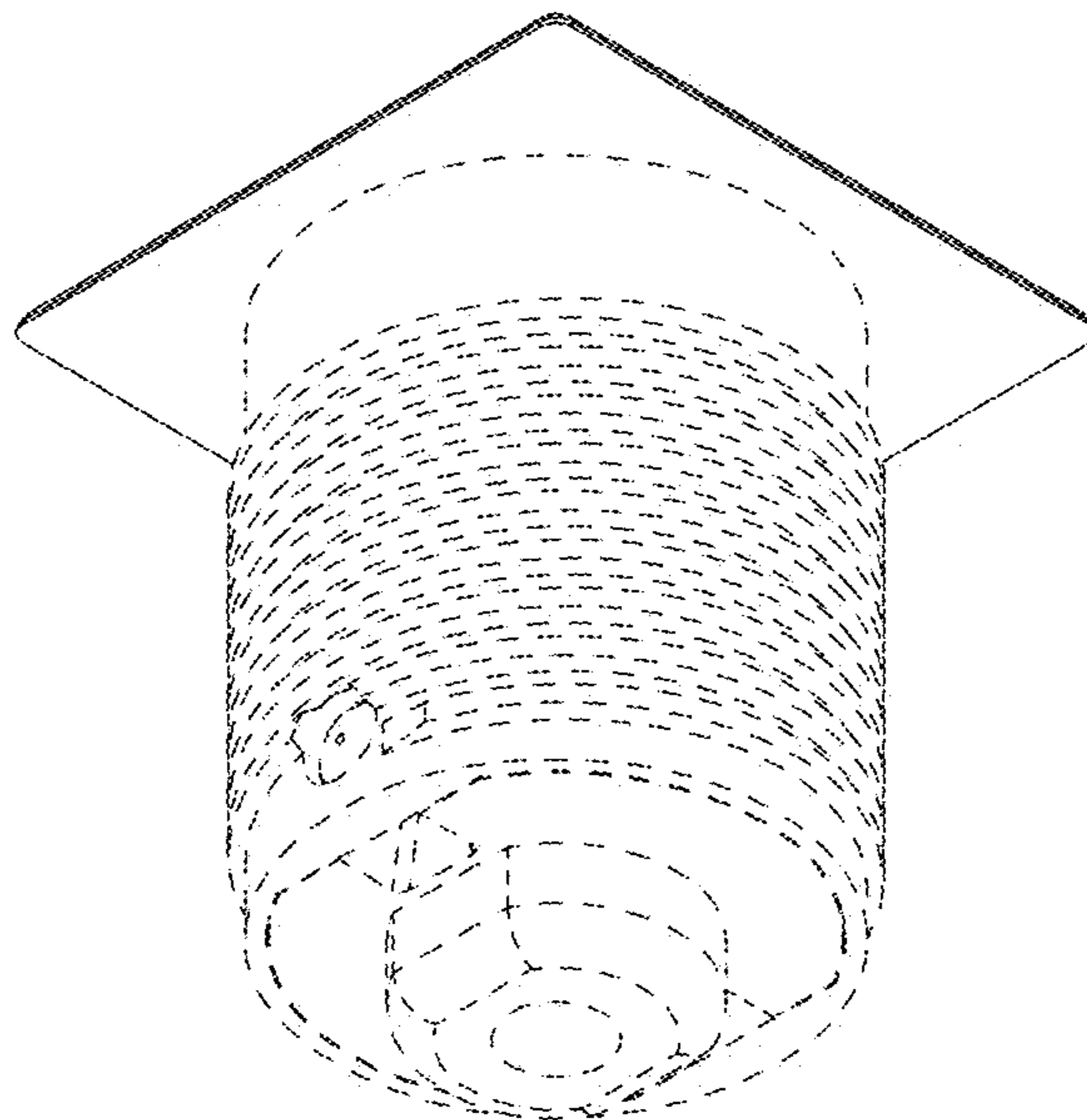


FIG. 2

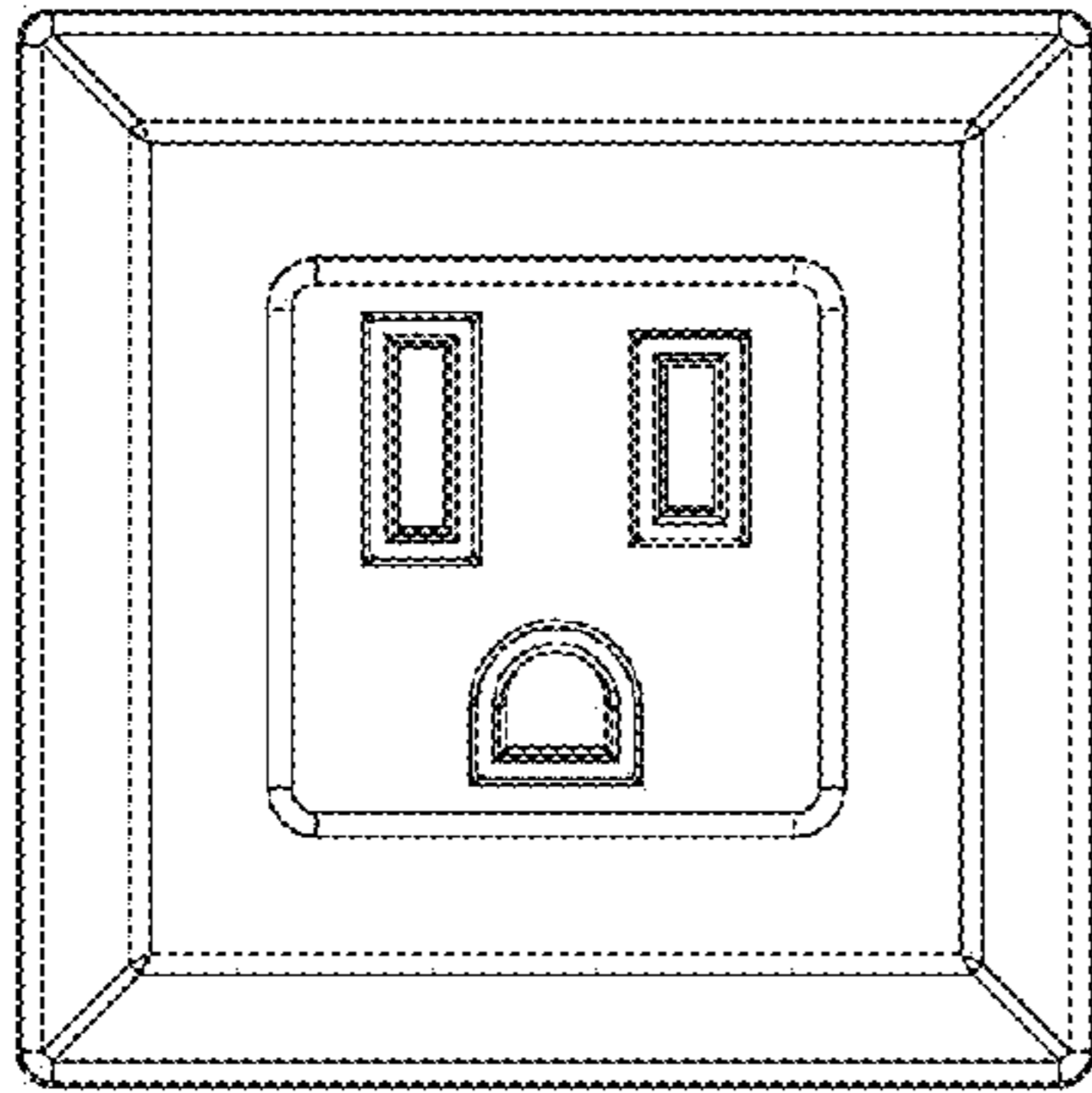


FIG. 3

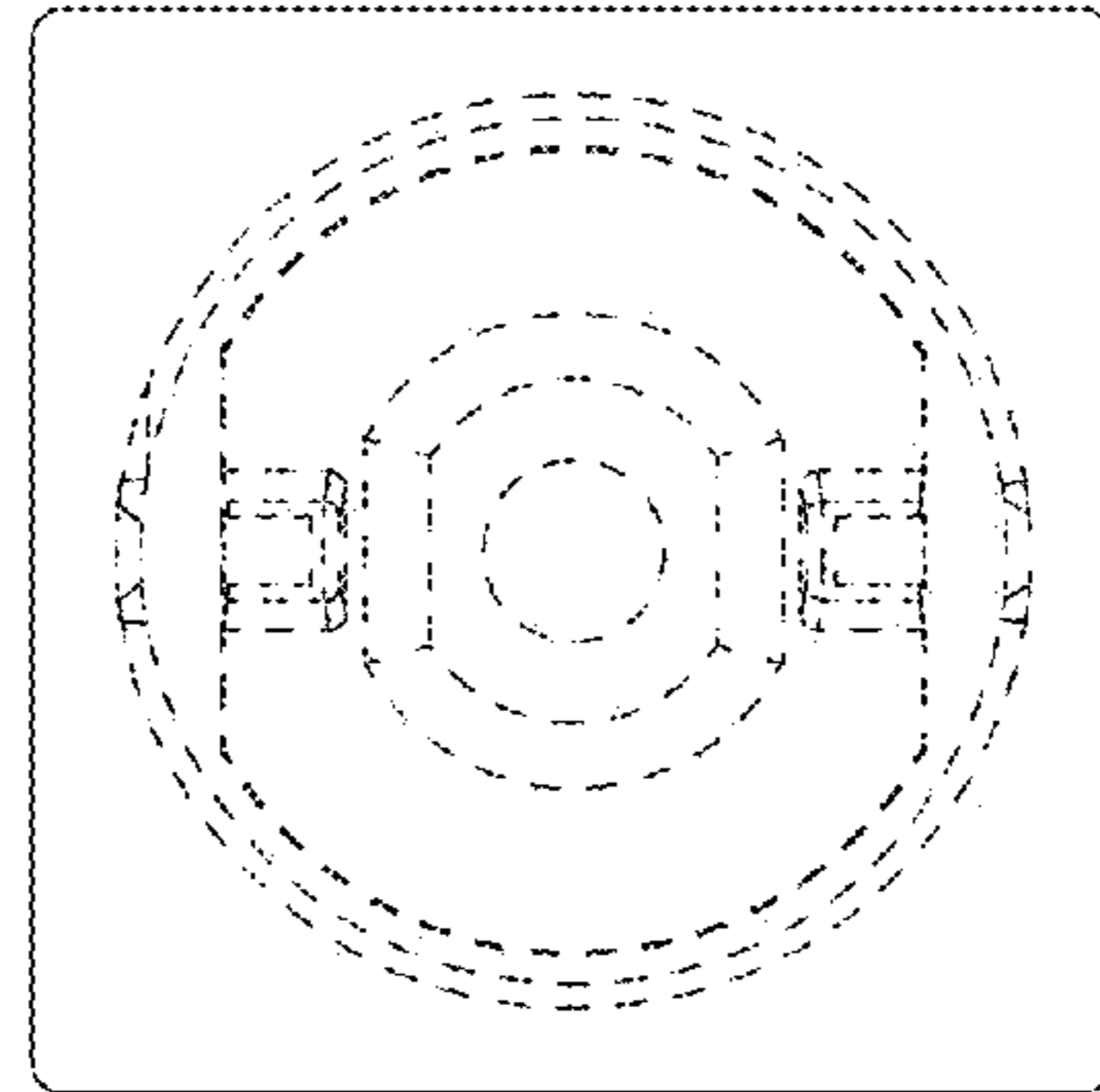


FIG. 4

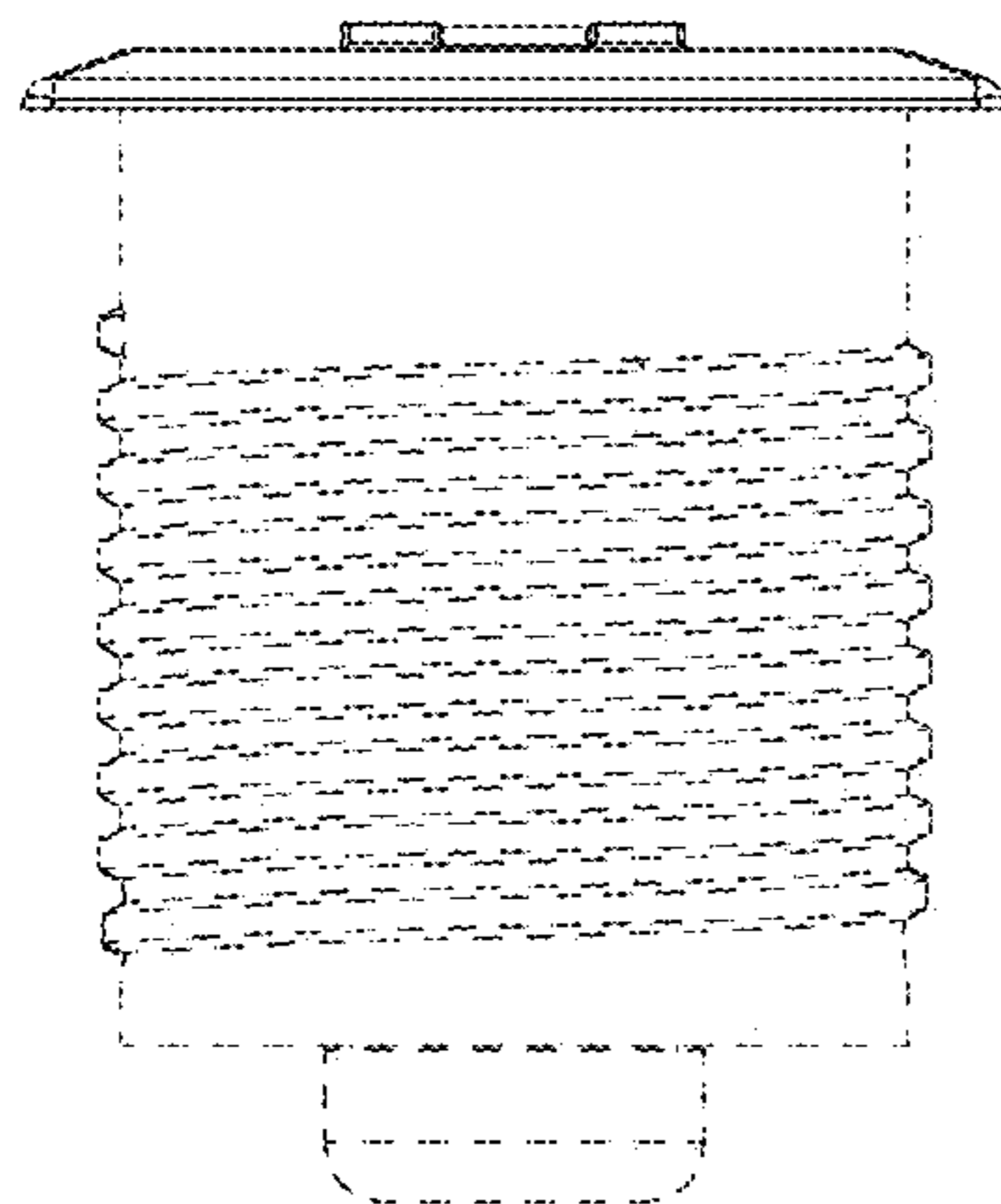


FIG. 5

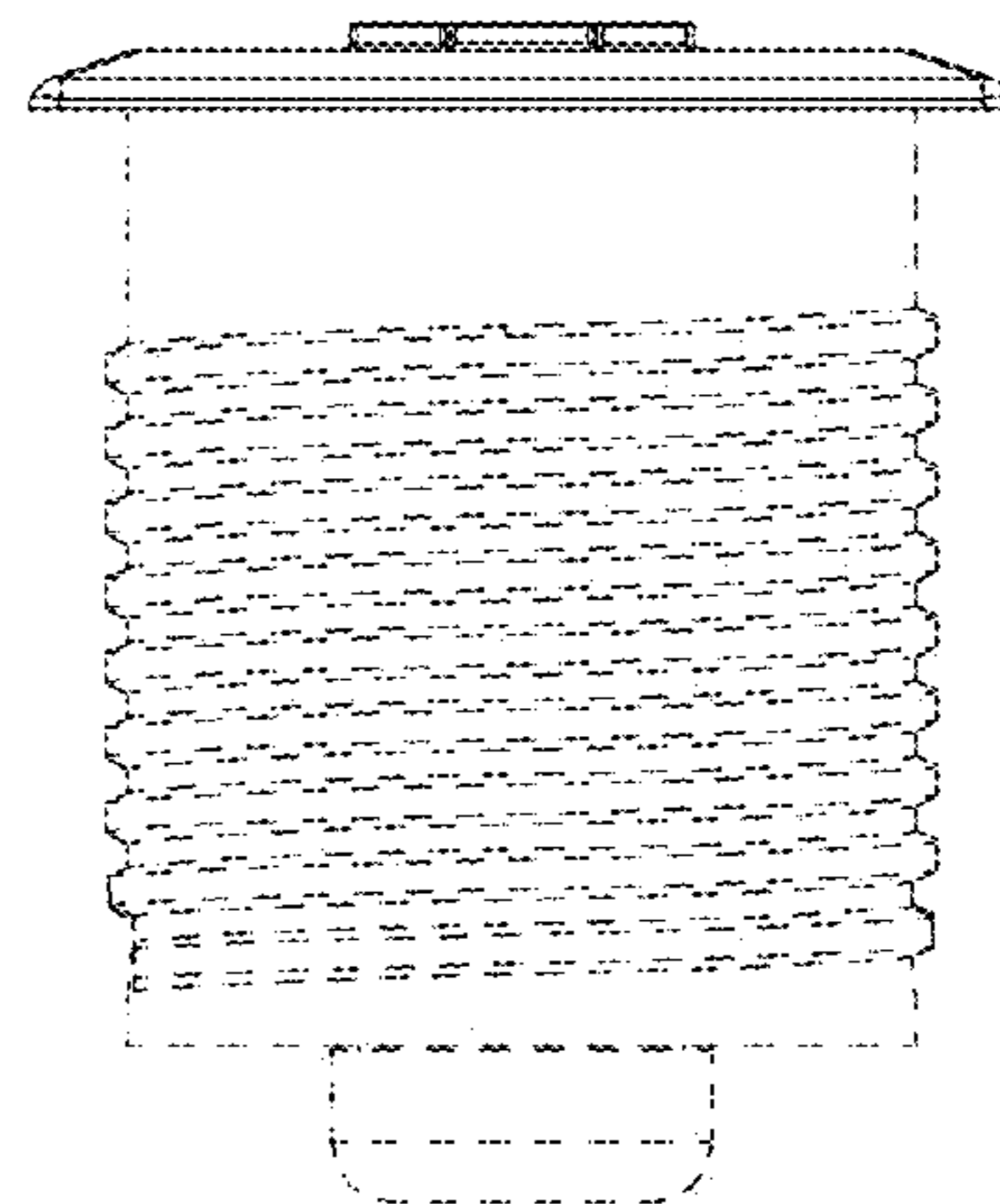


FIG. 6

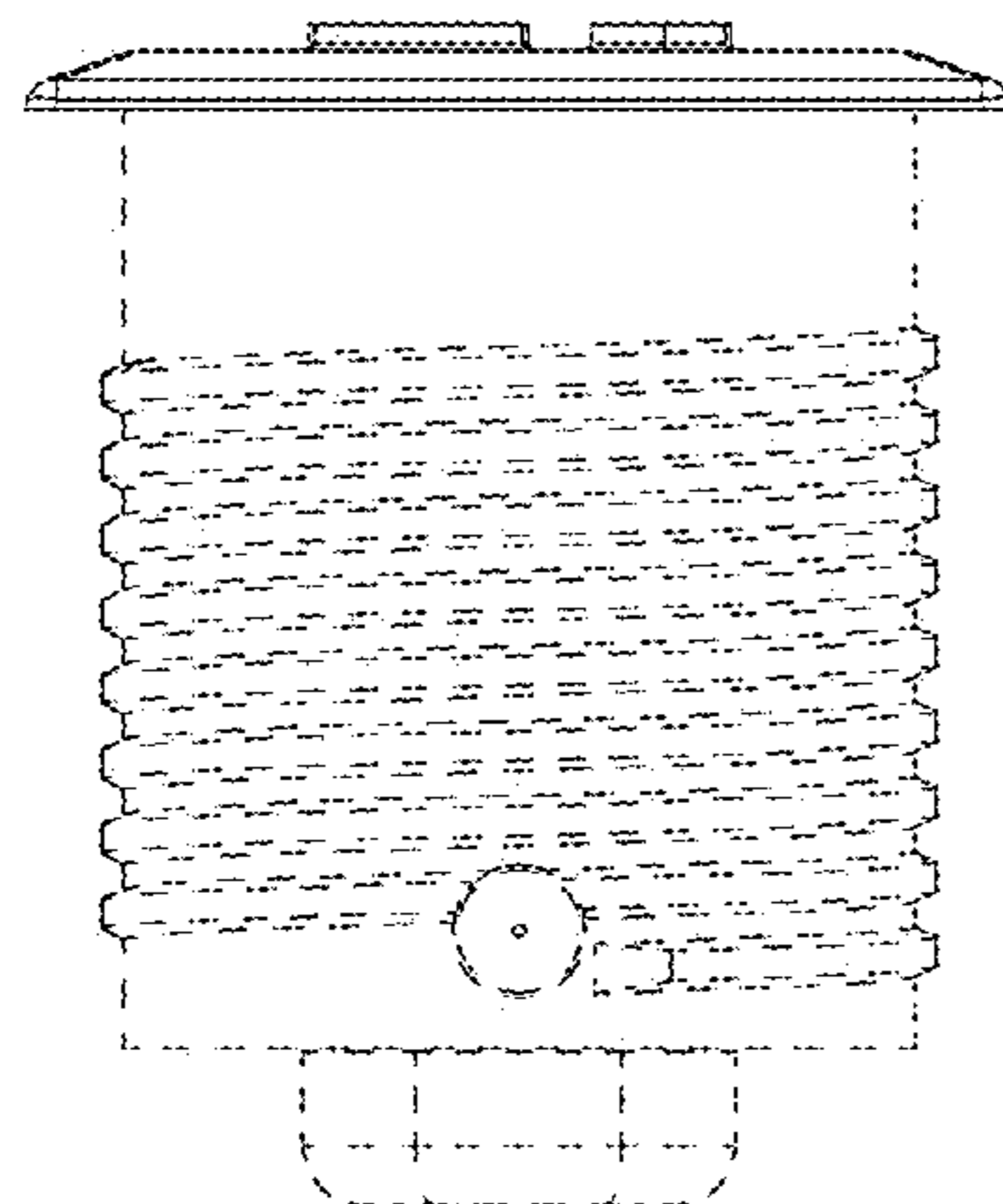


FIG. 7

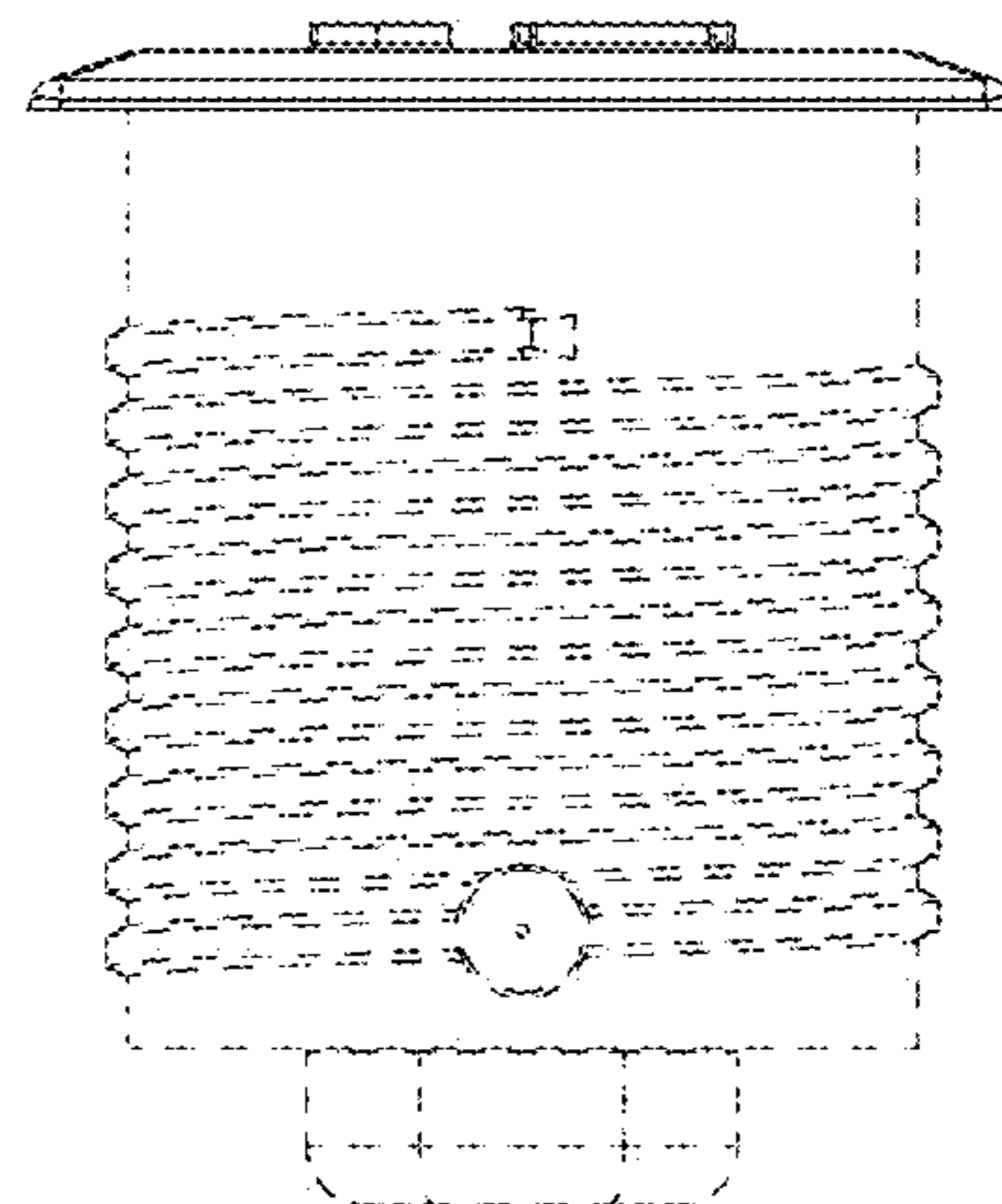


FIG. 8

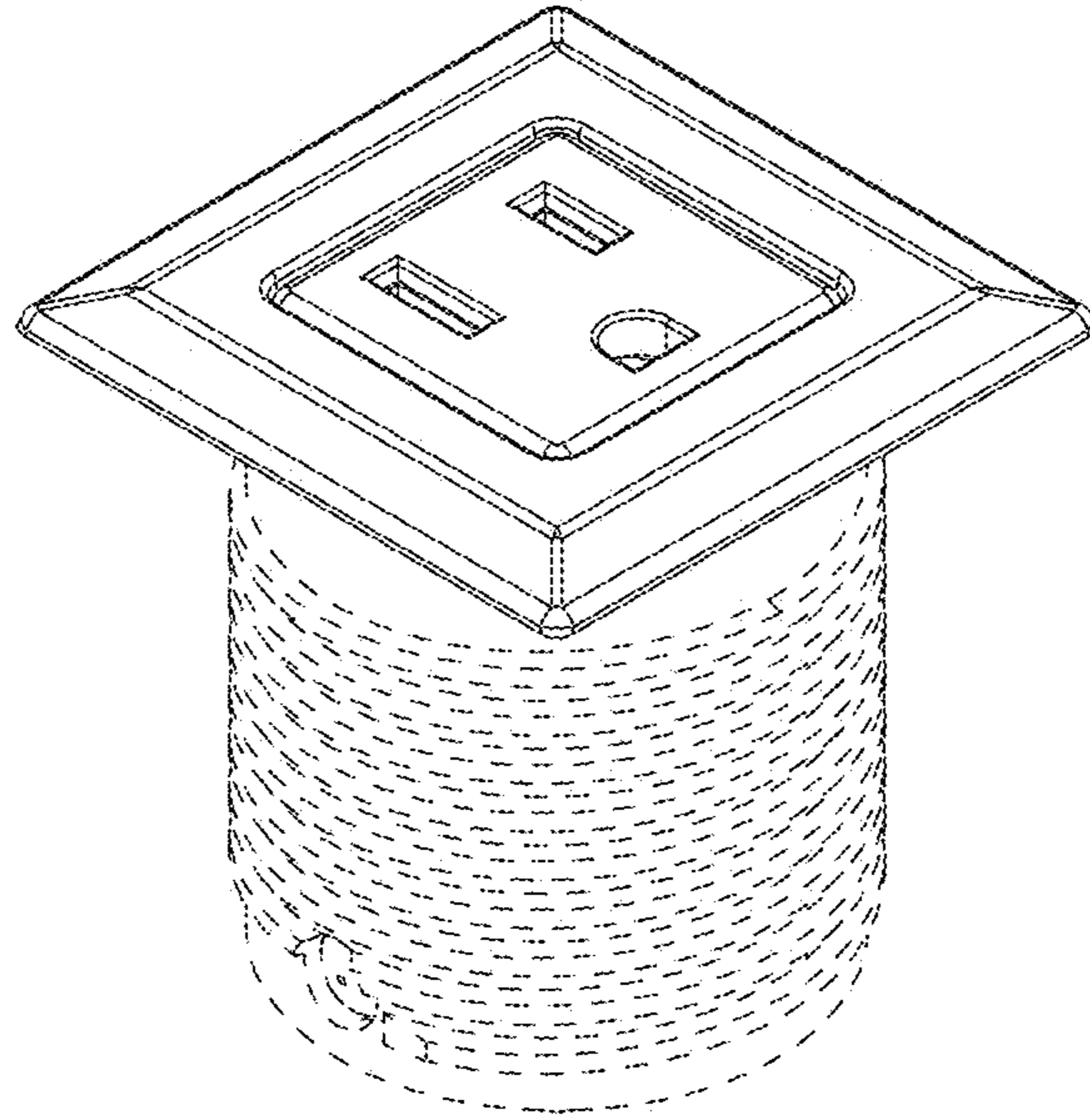


FIG. 9

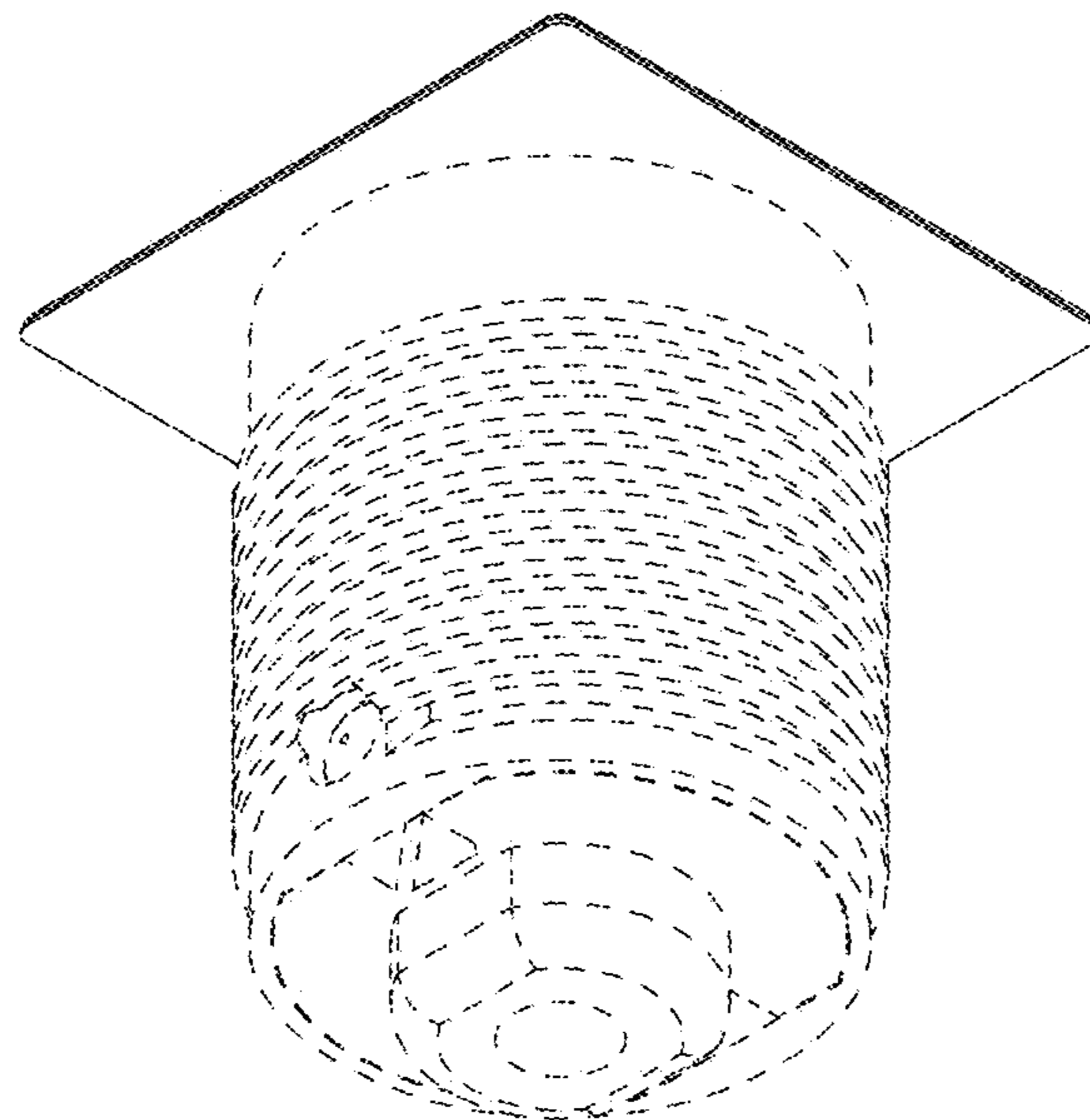


FIG. 10

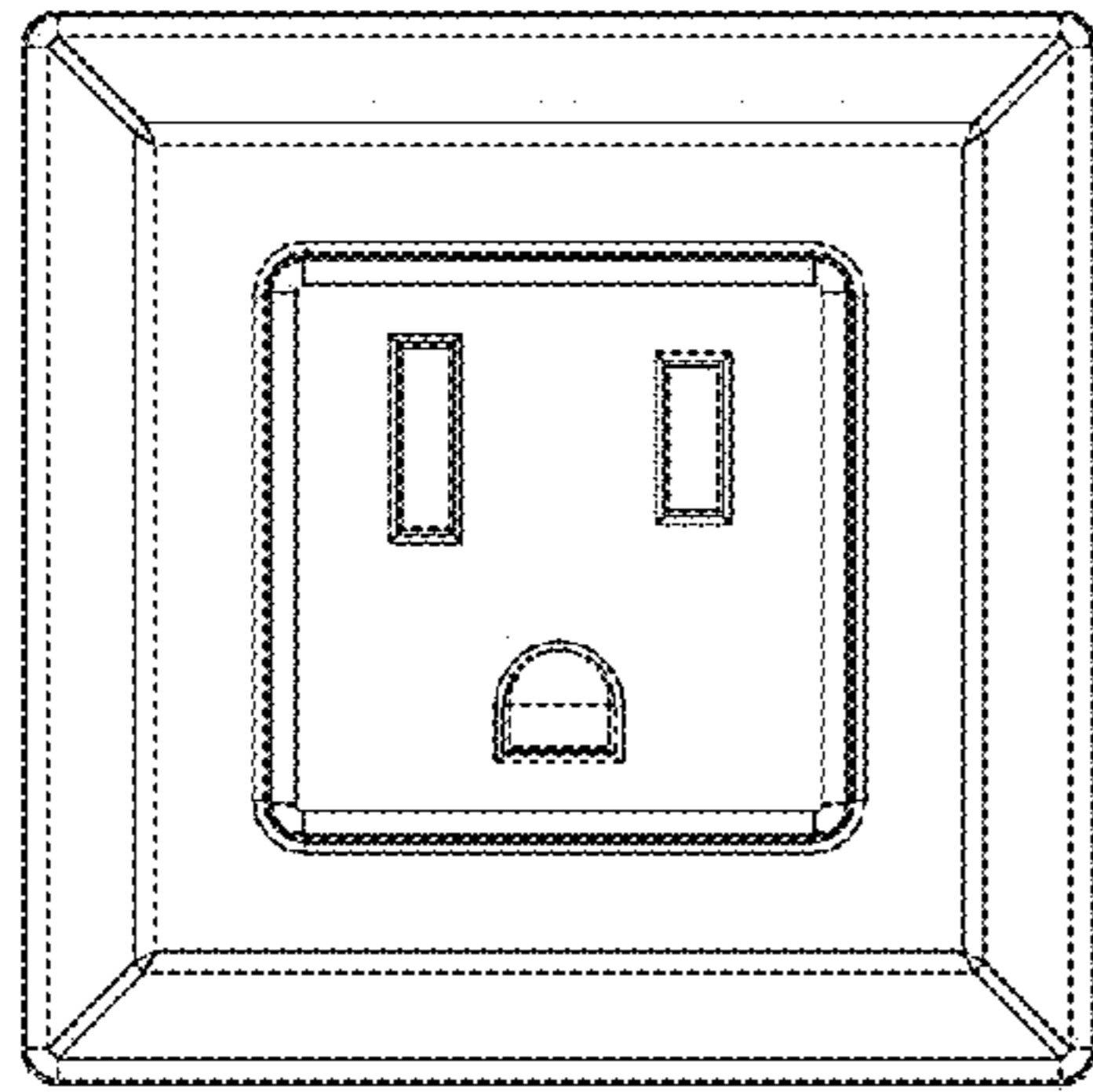


FIG. 11

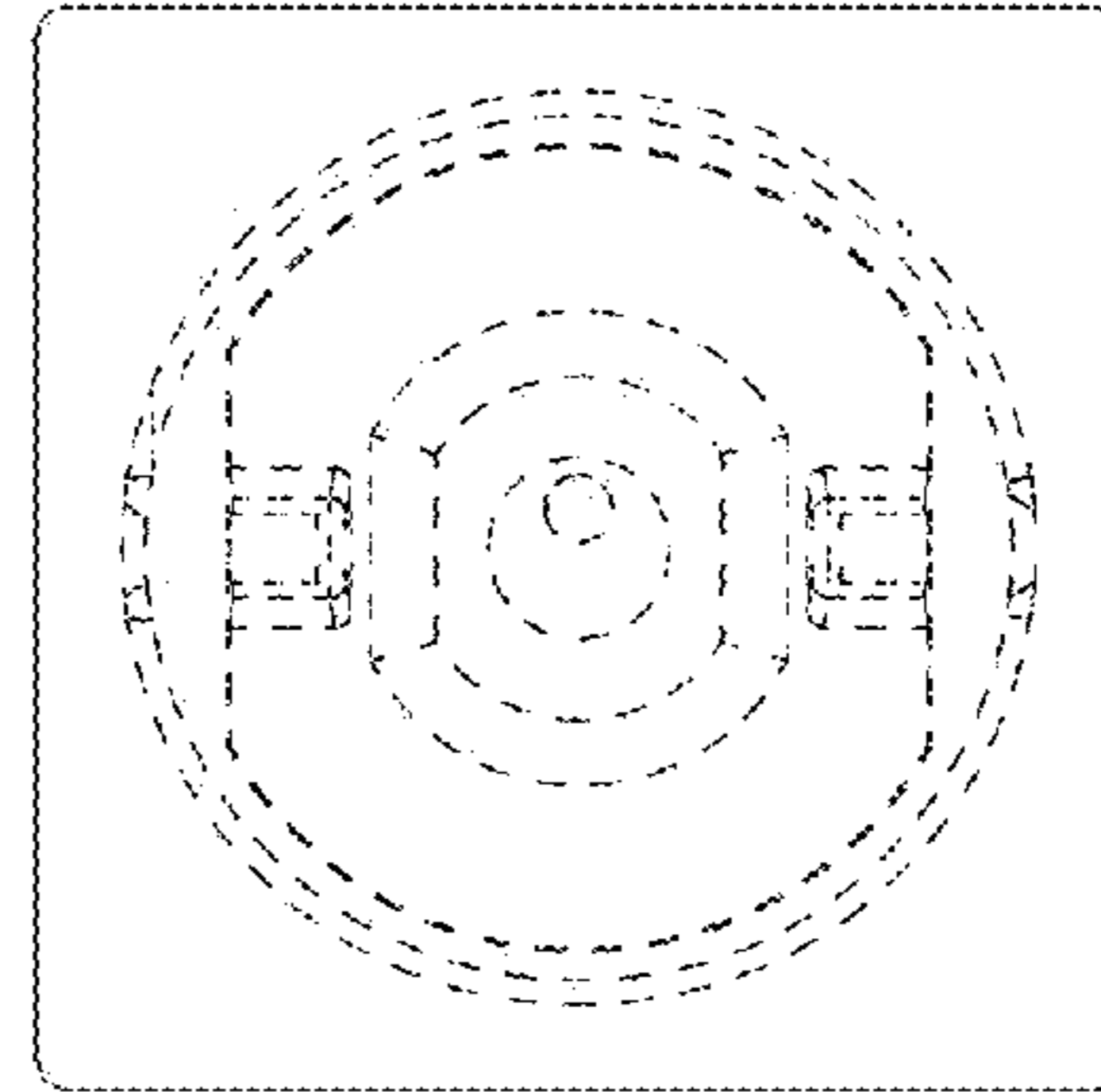


FIG. 12

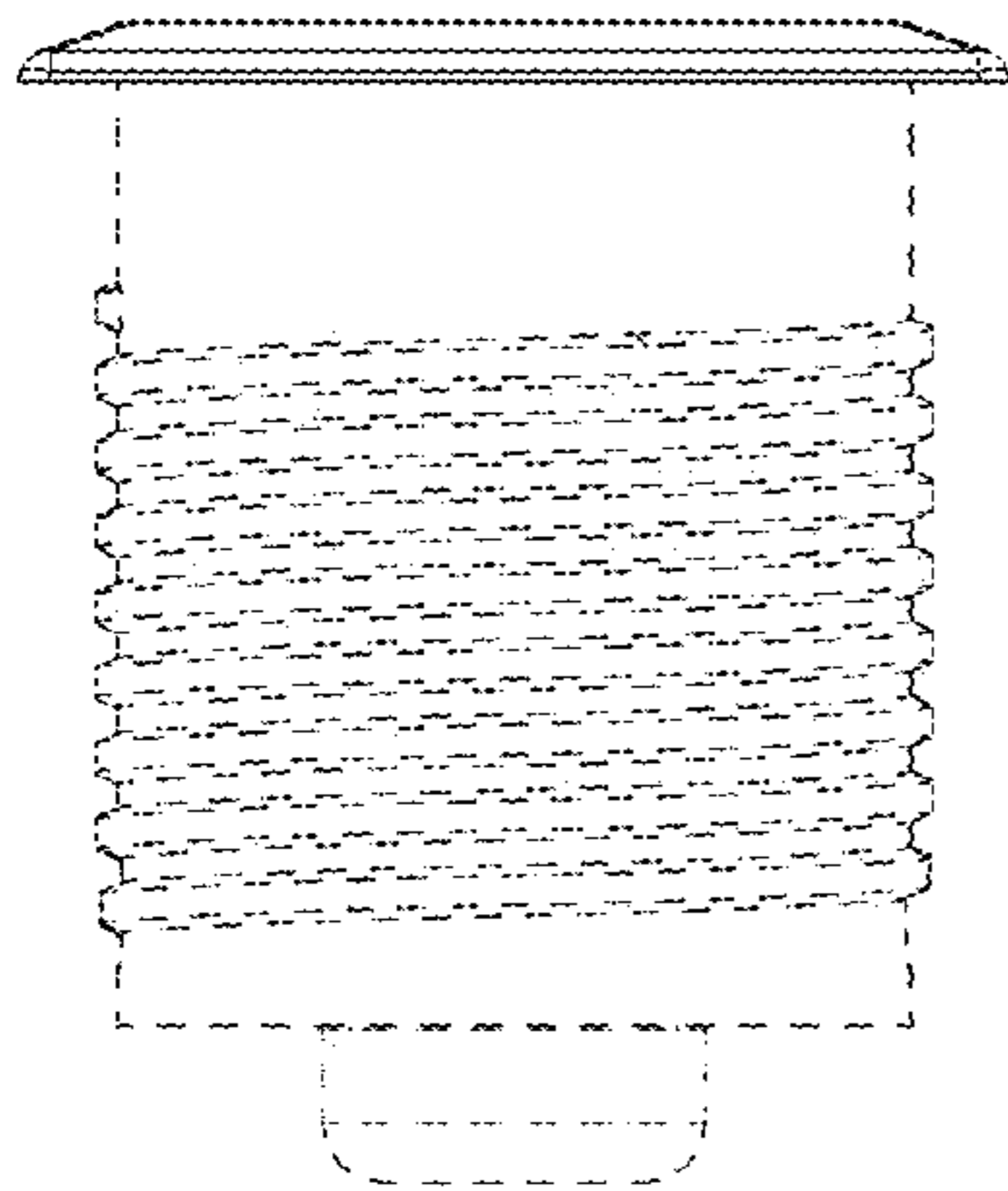


FIG. 13

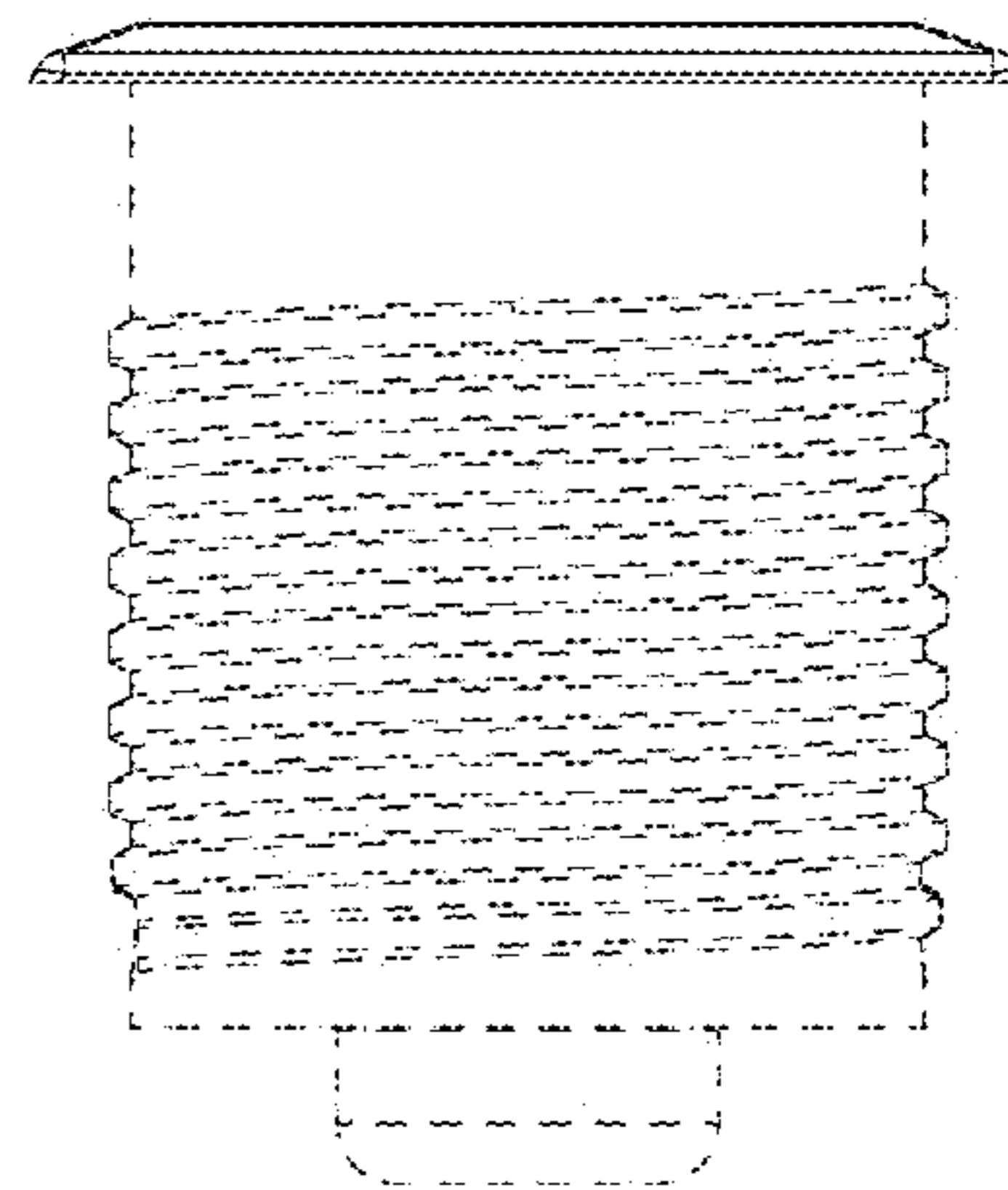


FIG. 14

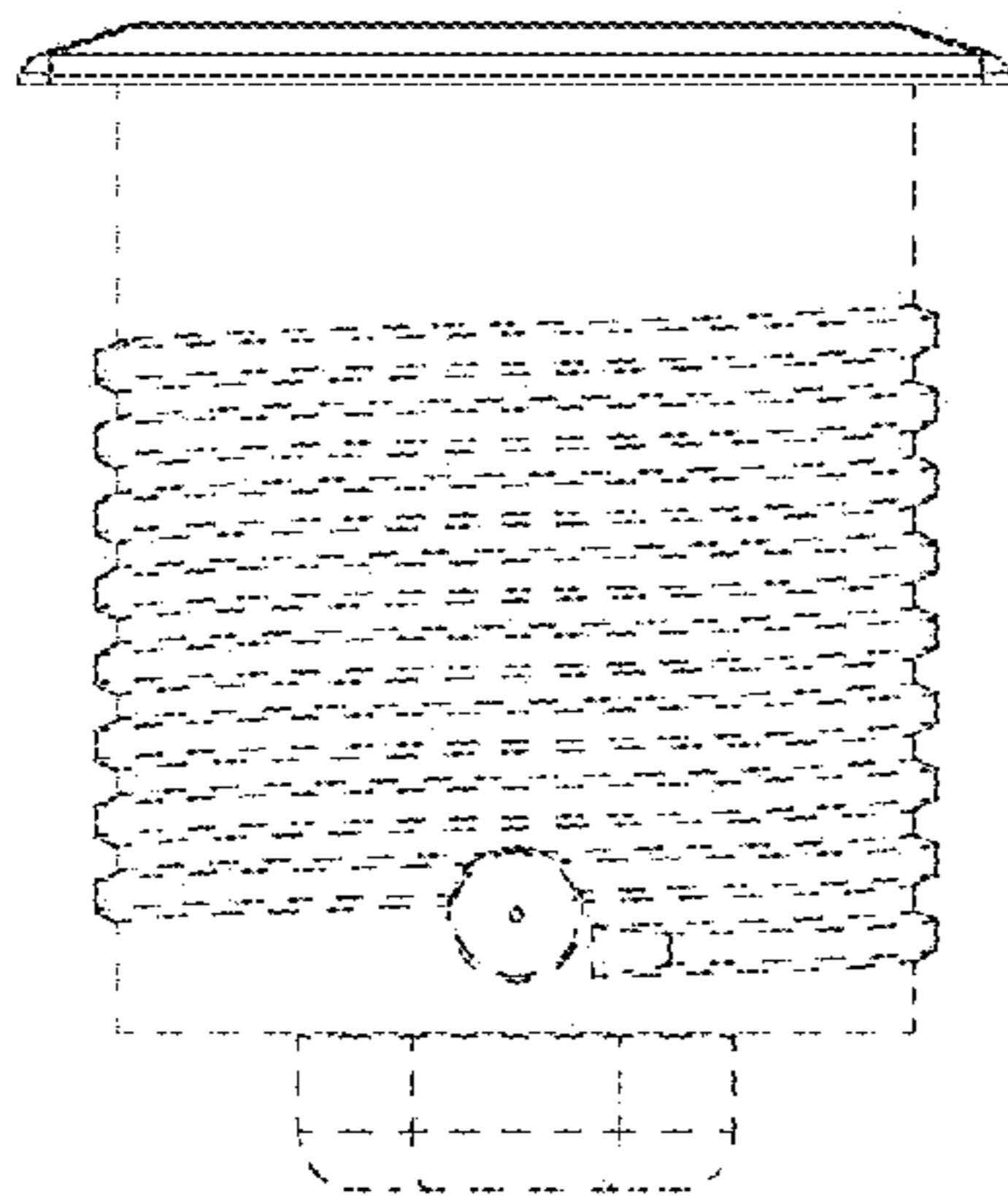


FIG. 15

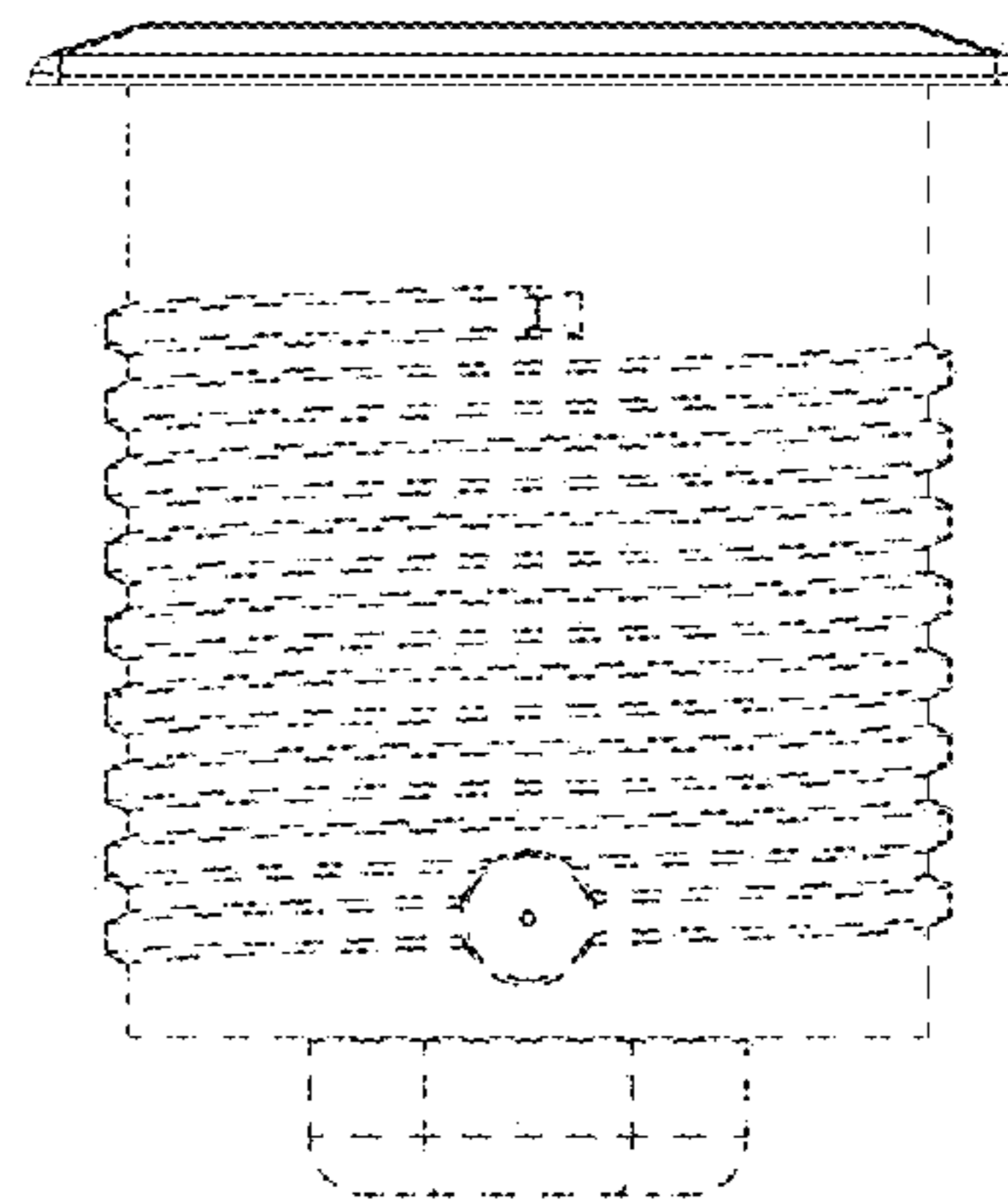


FIG. 16