



US00D762174S

(12) **United States Design Patent**
Ewing et al.

(10) **Patent No.:** **US D762,174 S**
(45) **Date of Patent:** **** Jul. 26, 2016**

(54) **RETAIL DISPLAY COMPONENT**

(71) Applicants: **Brent Ewing**, Roscoe, IL (US); **Ho Koon Man Peter**, Tseung Kwan O (HK); **Mike Bosco**, Chicago, IL (US)

(72) Inventors: **Brent Ewing**, Roscoe, IL (US); **Ho Koon Man Peter**, Tseung Kwan O (HK); **Mike Bosco**, Chicago, IL (US)

(73) Assignee: **Southern Imperial, Inc.**, Rockford, IL (US)

(**) Term: **14 Years**

(21) Appl. No.: **29/506,107**

(22) Filed: **Oct. 13, 2014**

(51) **LOC (10) Cl.** **13-03**

(52) **U.S. Cl.**
USPC **D13/133**

(58) **Field of Classification Search**
USPC D13/133, 134, 146, 147, 153, 154, 184, D13/199

See application file for complete search history.

(56) **References Cited**

U.S. PATENT DOCUMENTS

D388,395 S	*	12/1997	Henrici	D13/134
D647,852 S	*	11/2011	Yang	D13/134
D648,273 S	*	11/2011	Spilker	D13/133
D648,274 S	*	11/2011	Spilker	D13/133

* cited by examiner

Primary Examiner — Daniel Bui

(74) *Attorney, Agent, or Firm* — Reinhart Boerner Van Deuren P.C.

(57) **CLAIM**

We claim the ornamental design for a retail display component, as shown and described.

DESCRIPTION

FIG. 1 is a front, top, and side perspective view of a first embodiment of a retail display component showing our new design;

FIG. 2 is a side view thereof;

FIG. 3 is a front view thereof;

FIG. 4 is a side view thereof showing the side opposite that shown in FIG. 2;

FIG. 5 is a back view thereof;

FIG. 6 is a bottom view thereof;

FIG. 7 is a top view thereof;

FIG. 8 is a front, top, and side perspective view of a second embodiment of a retail display component showing our new design;

FIG. 9 is a side view thereof;

FIG. 10 is a front view thereof;

FIG. 11 is a side view showing the side opposite that shown in FIG. 9;

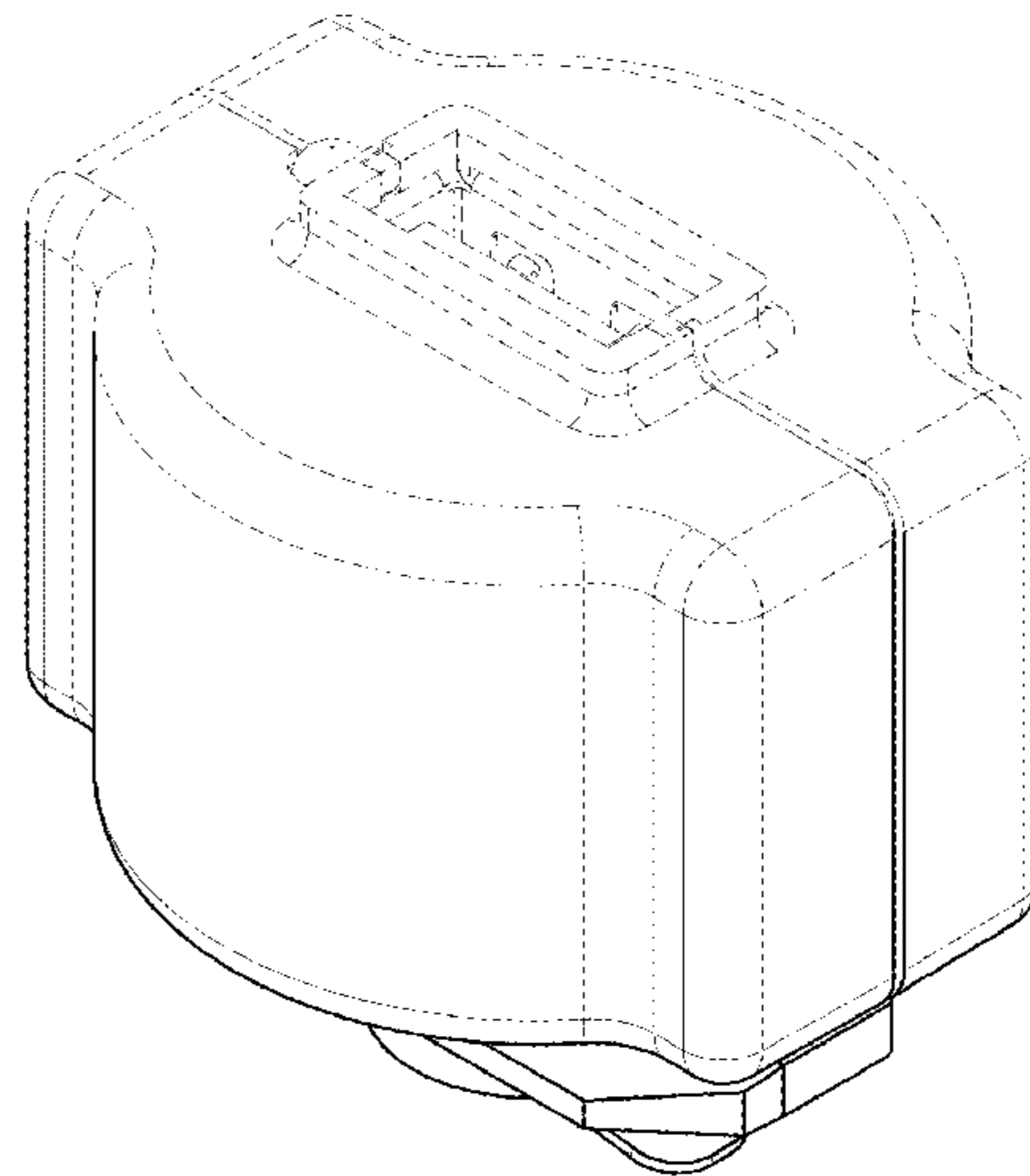
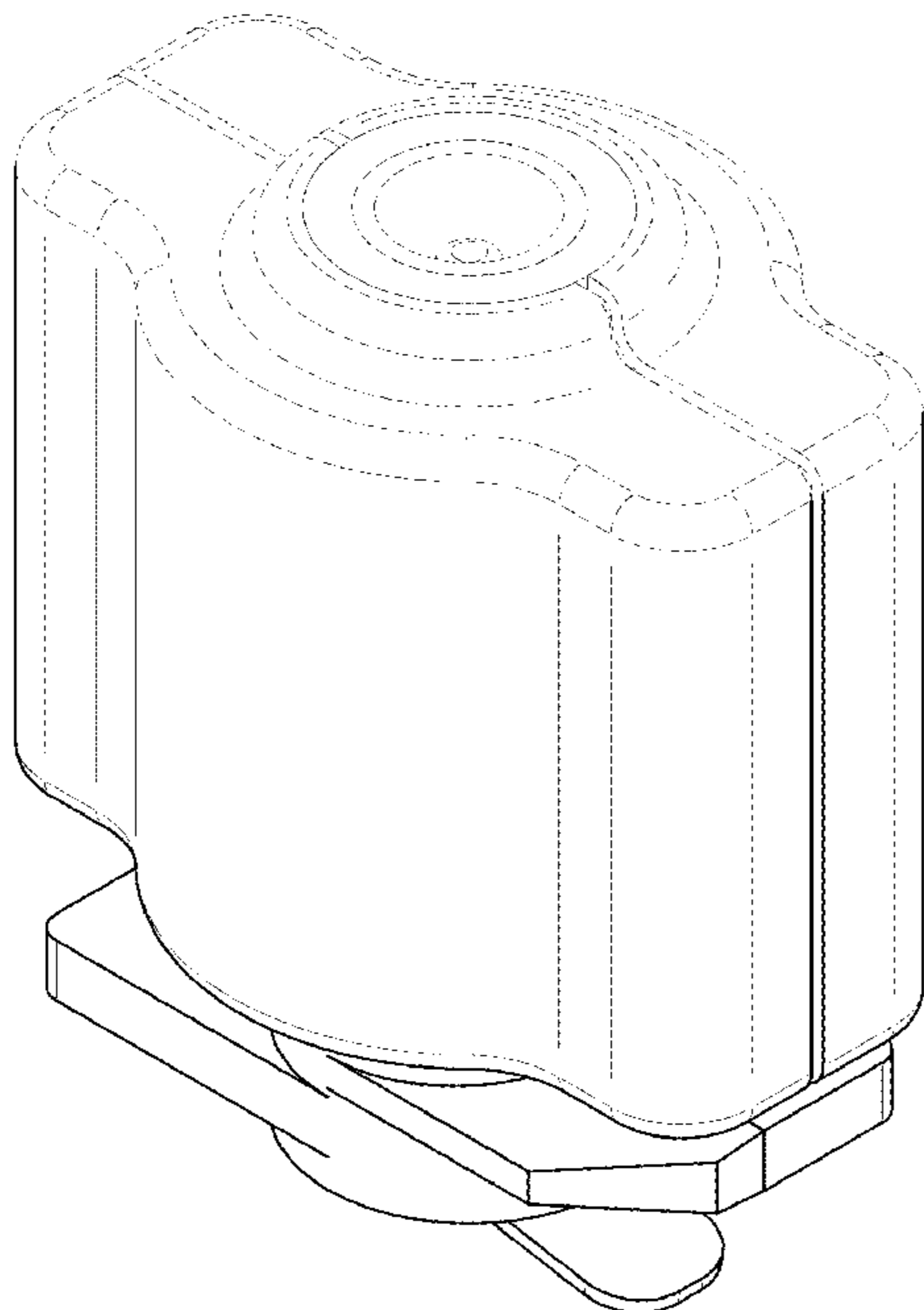
FIG. 12 is a back view thereof;

FIG. 13 is a bottom view thereof; and,

FIG. 14 is a top view thereof.

The broken line in the drawing is included for the purpose of illustrating unclaimed environment only and forms no part of the claimed design.

1 Claim, 8 Drawing Sheets



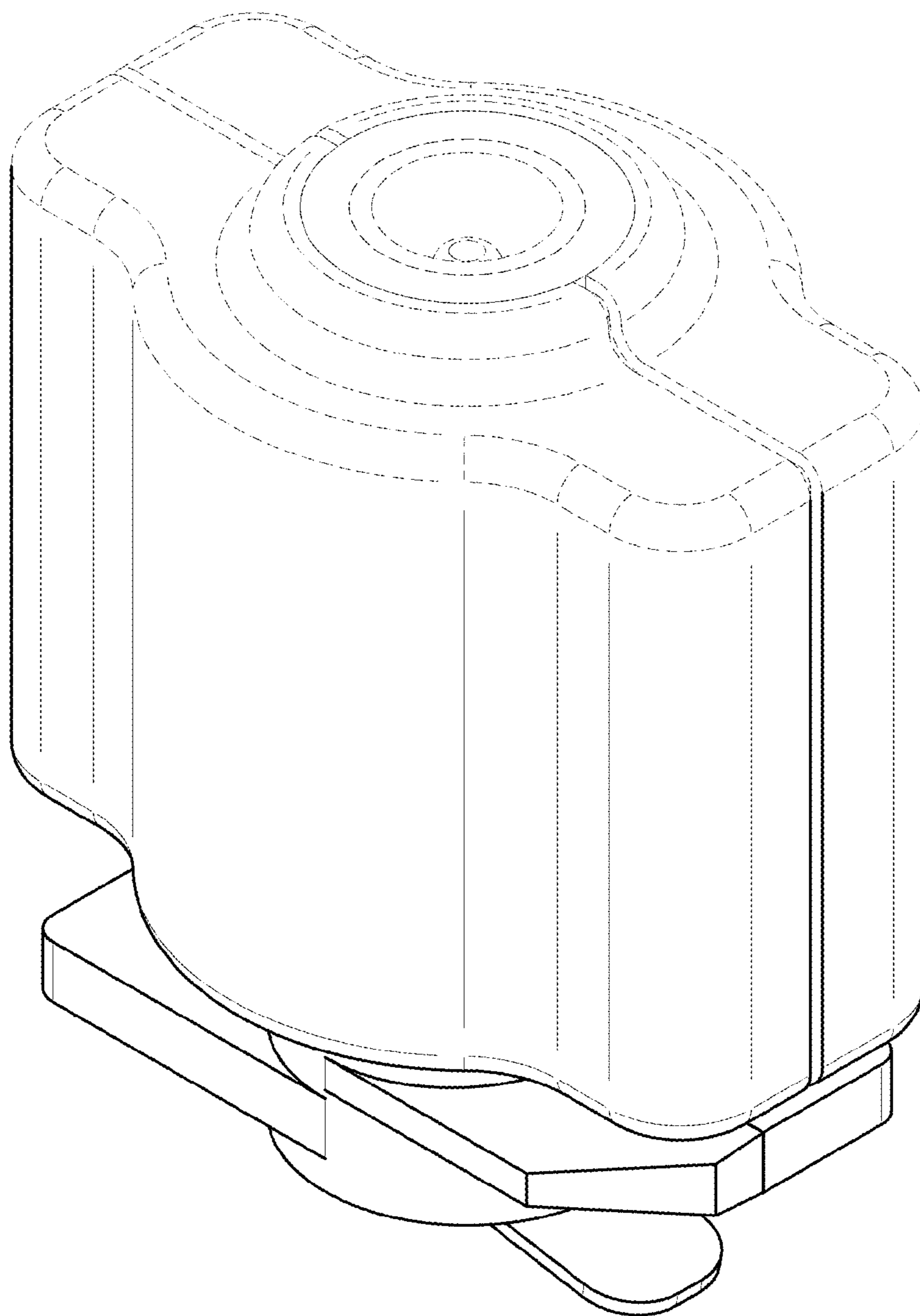


FIG. 1

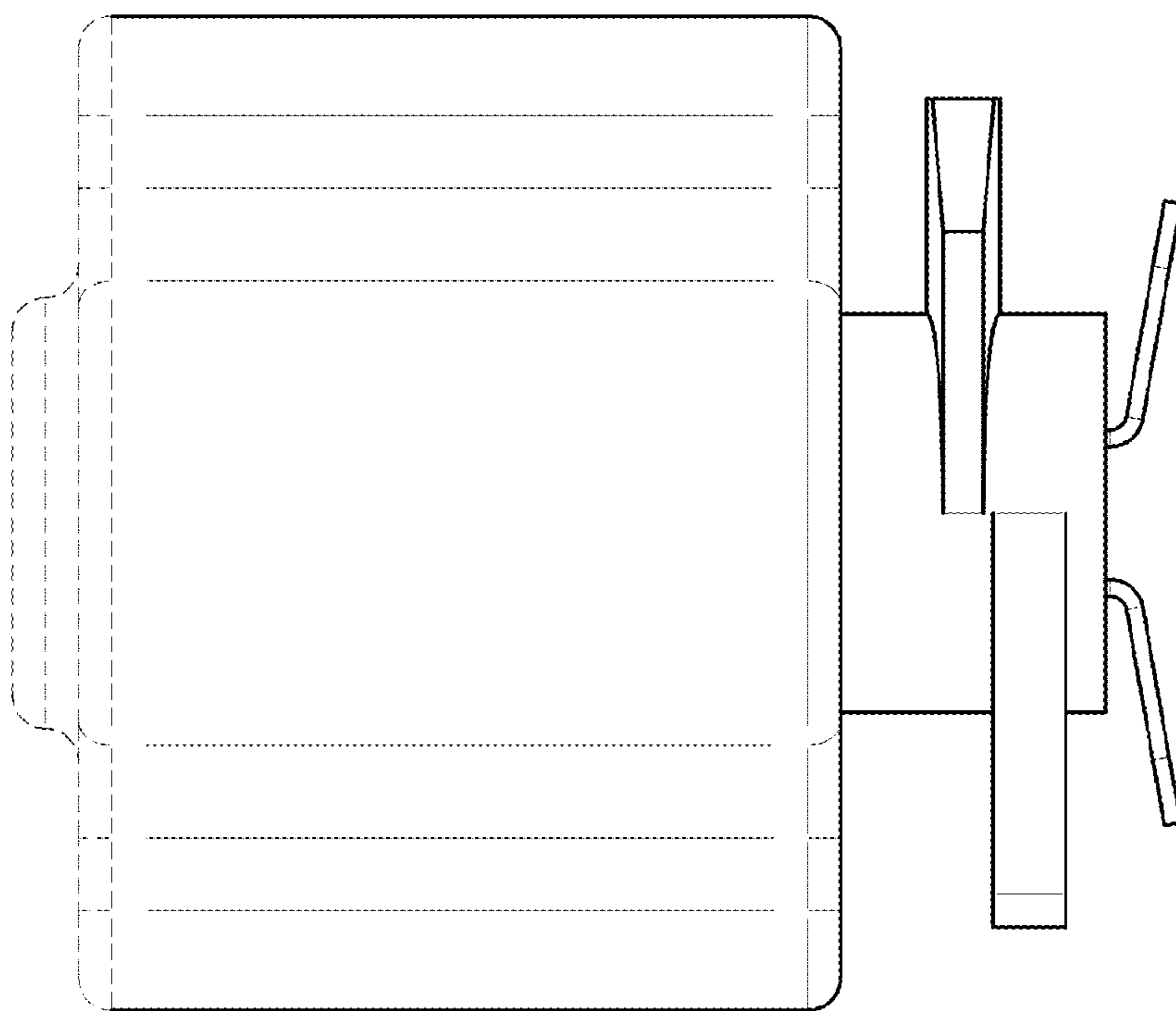


FIG. 2

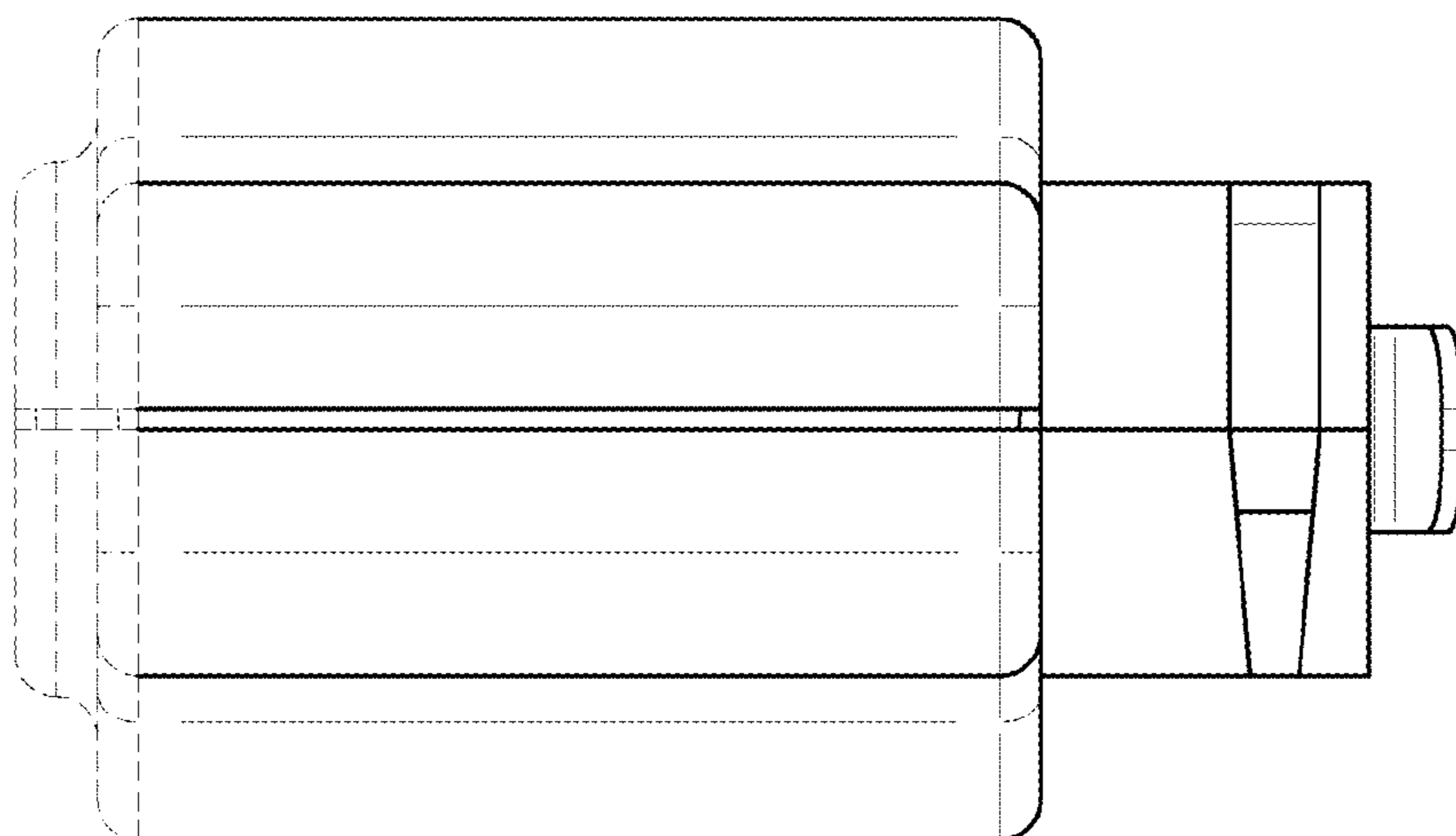


FIG. 3

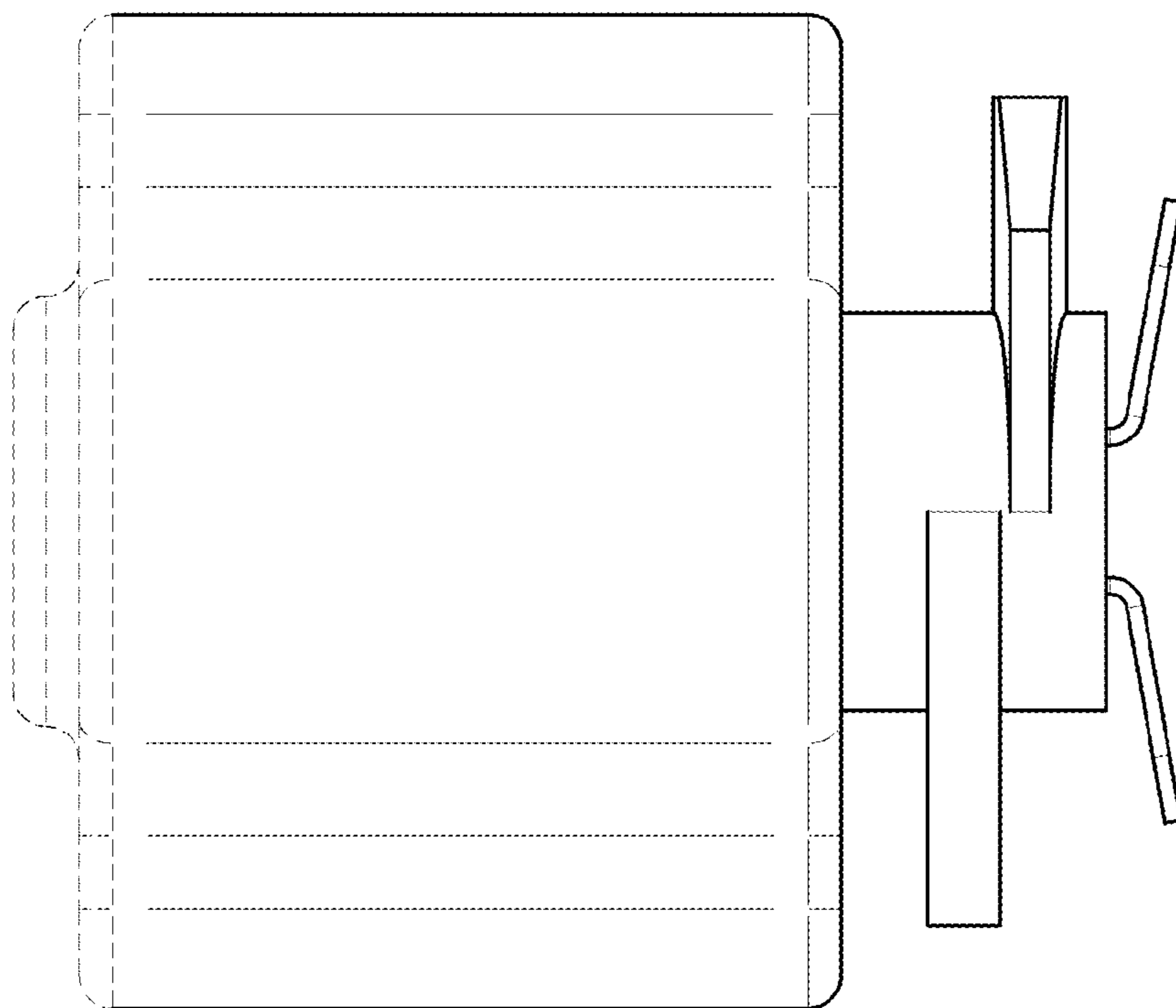


FIG. 4

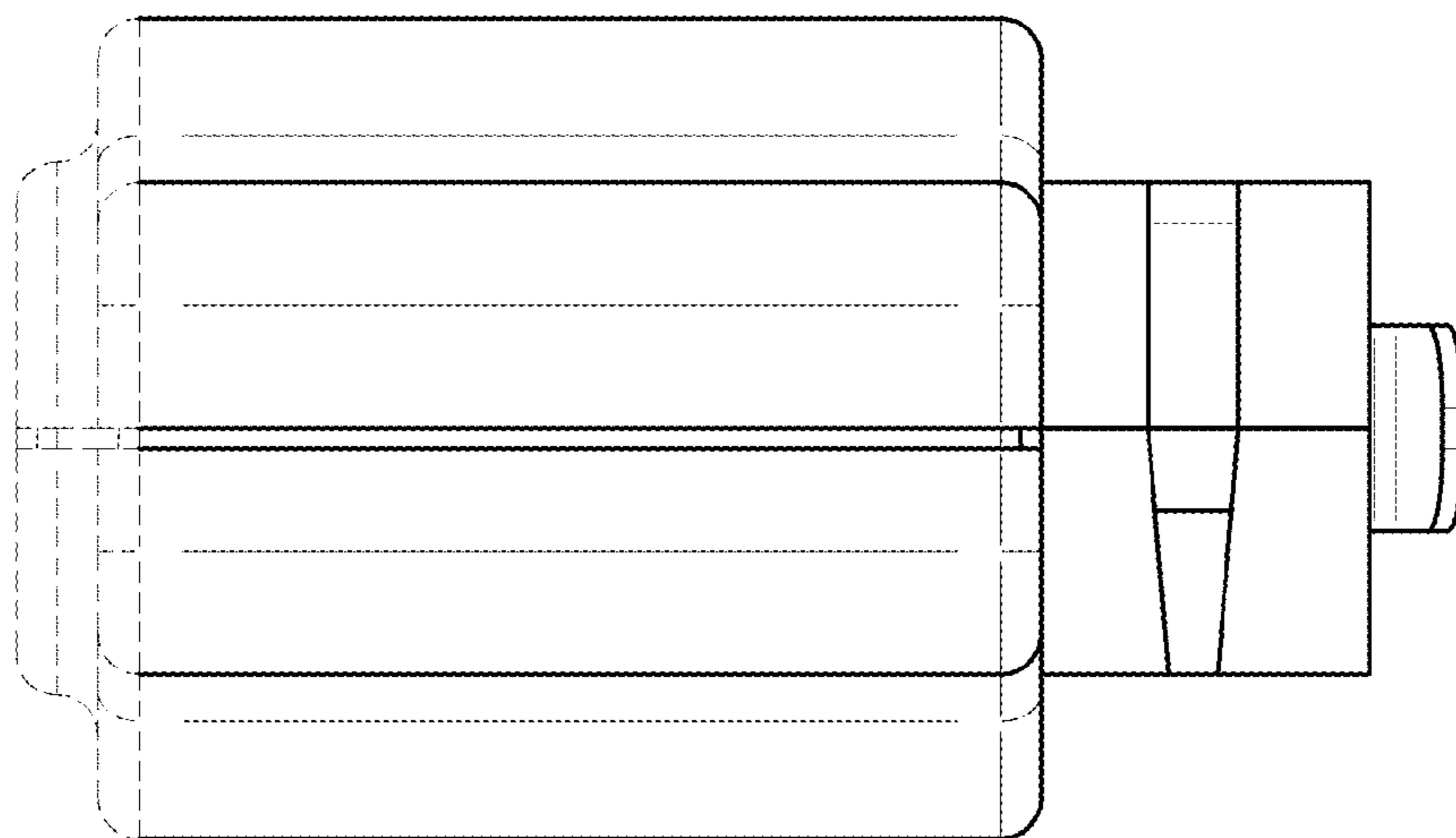


FIG. 5

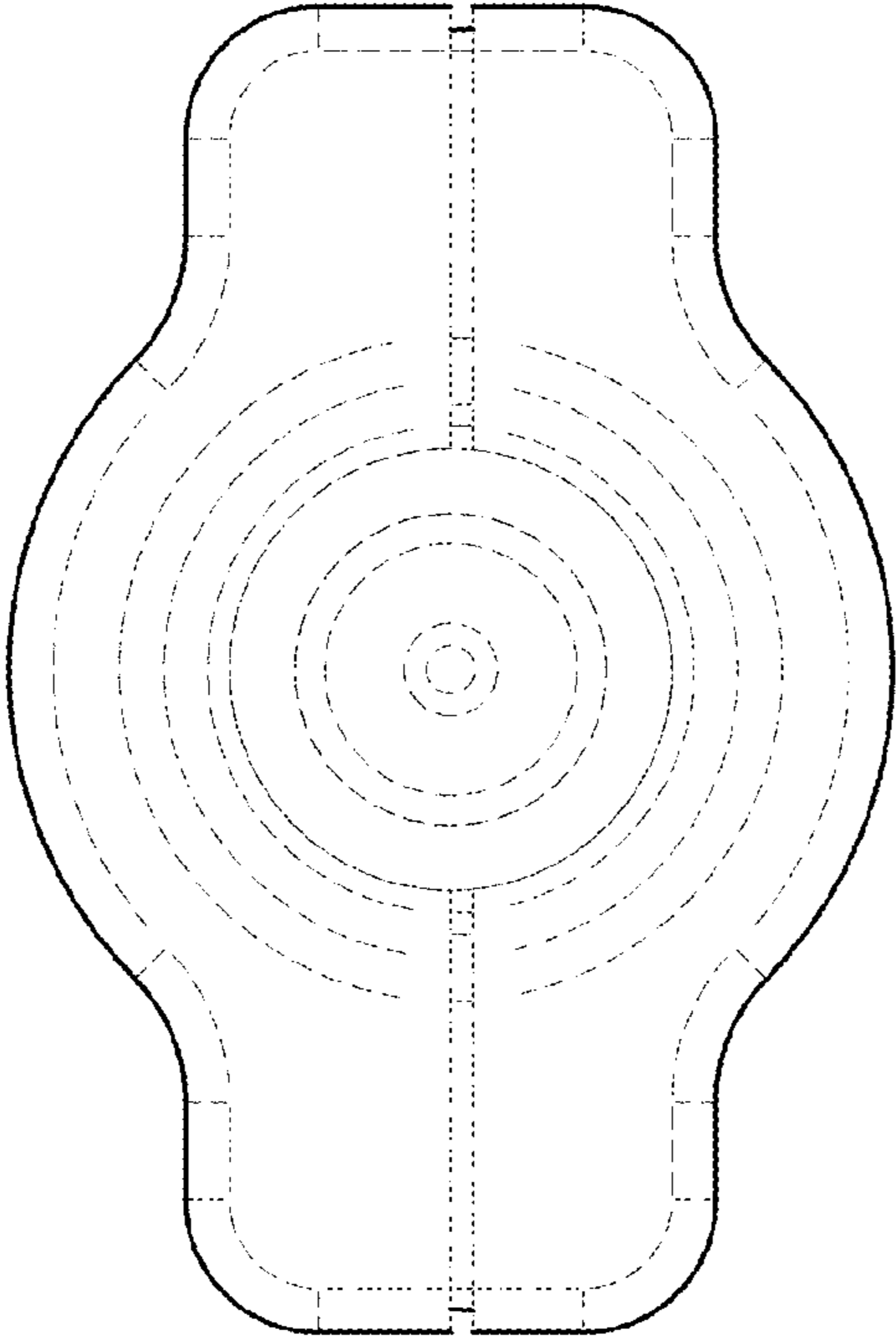


FIG. 7

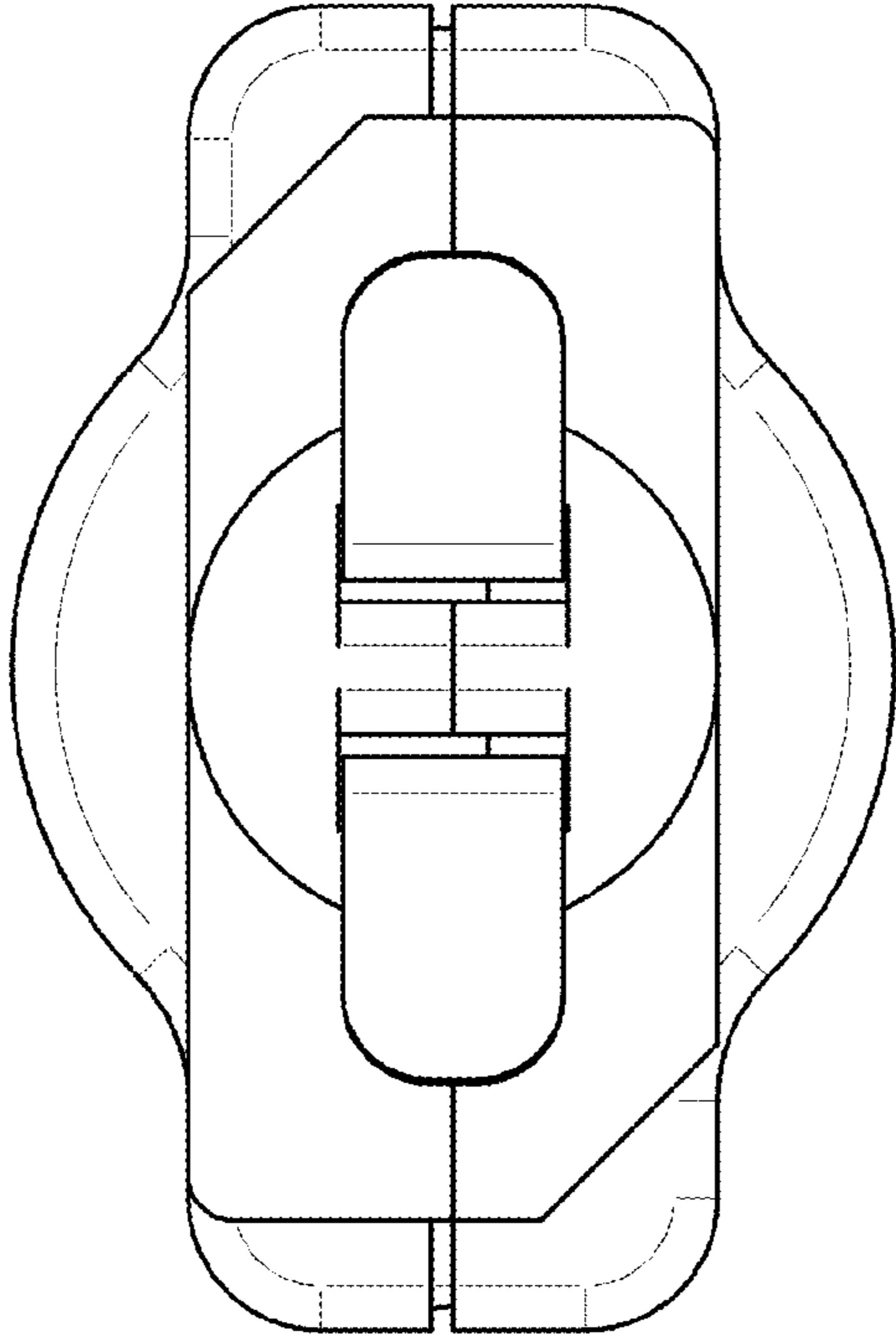


FIG. 6

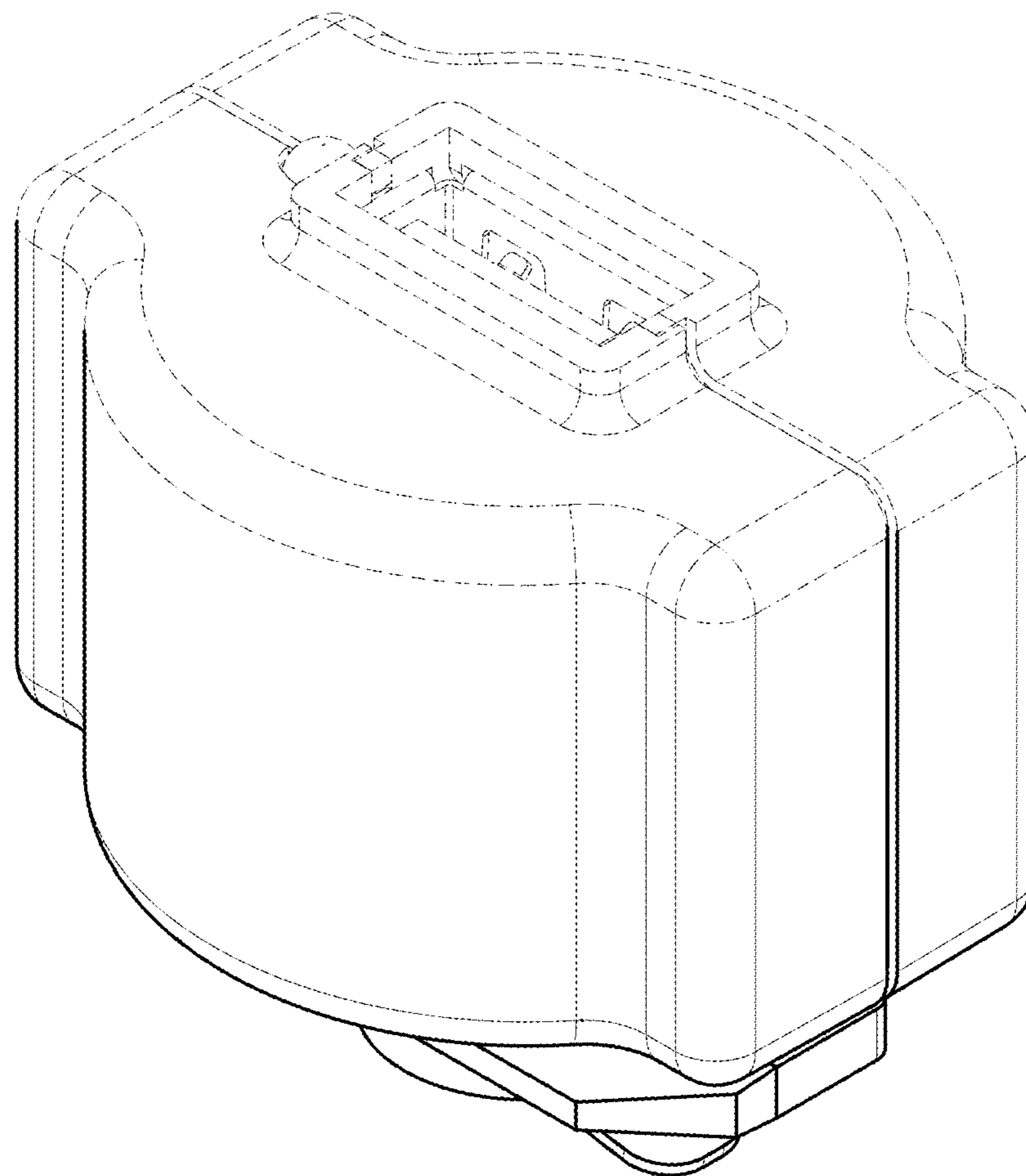


FIG. 8

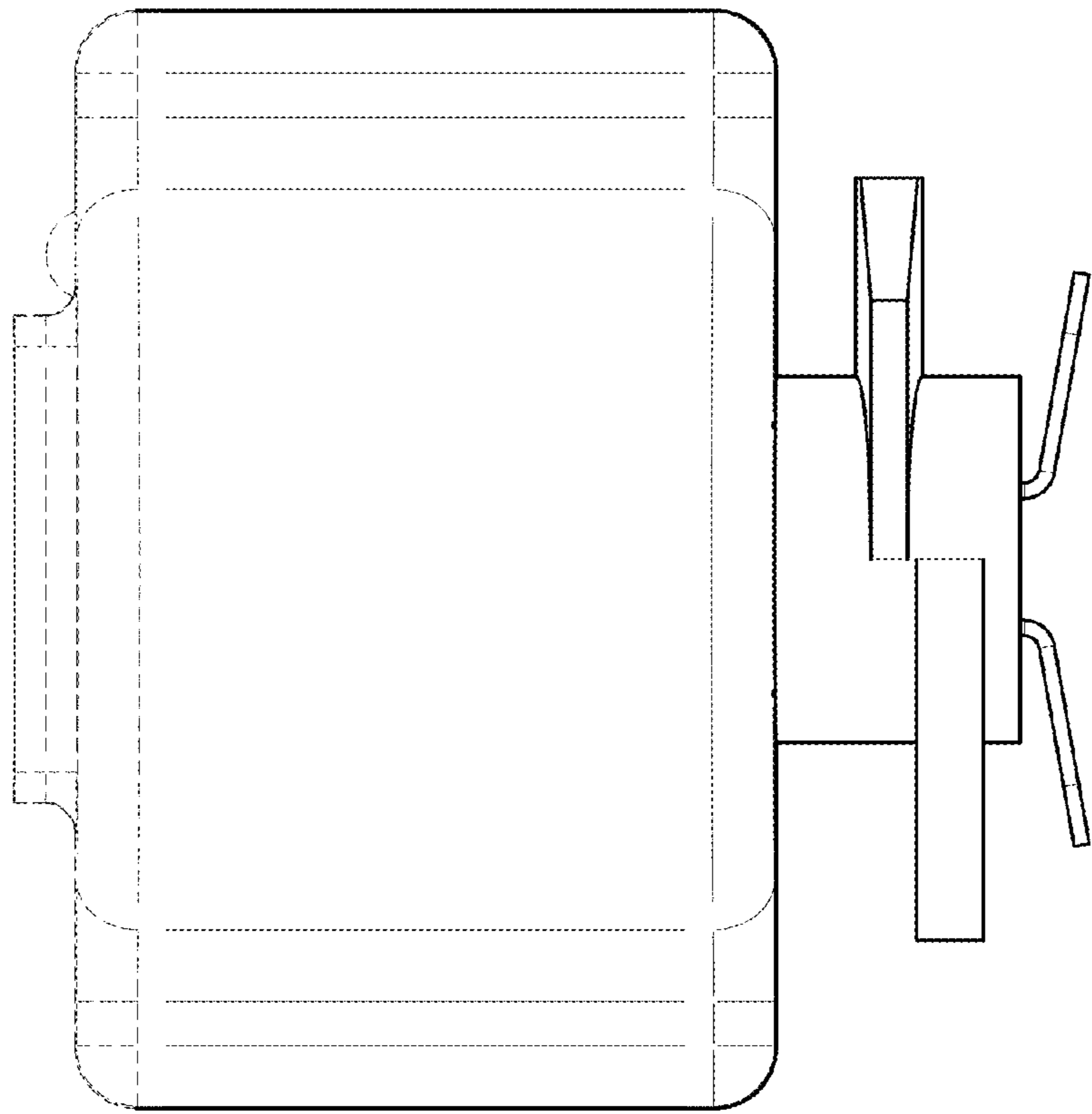


FIG. 10

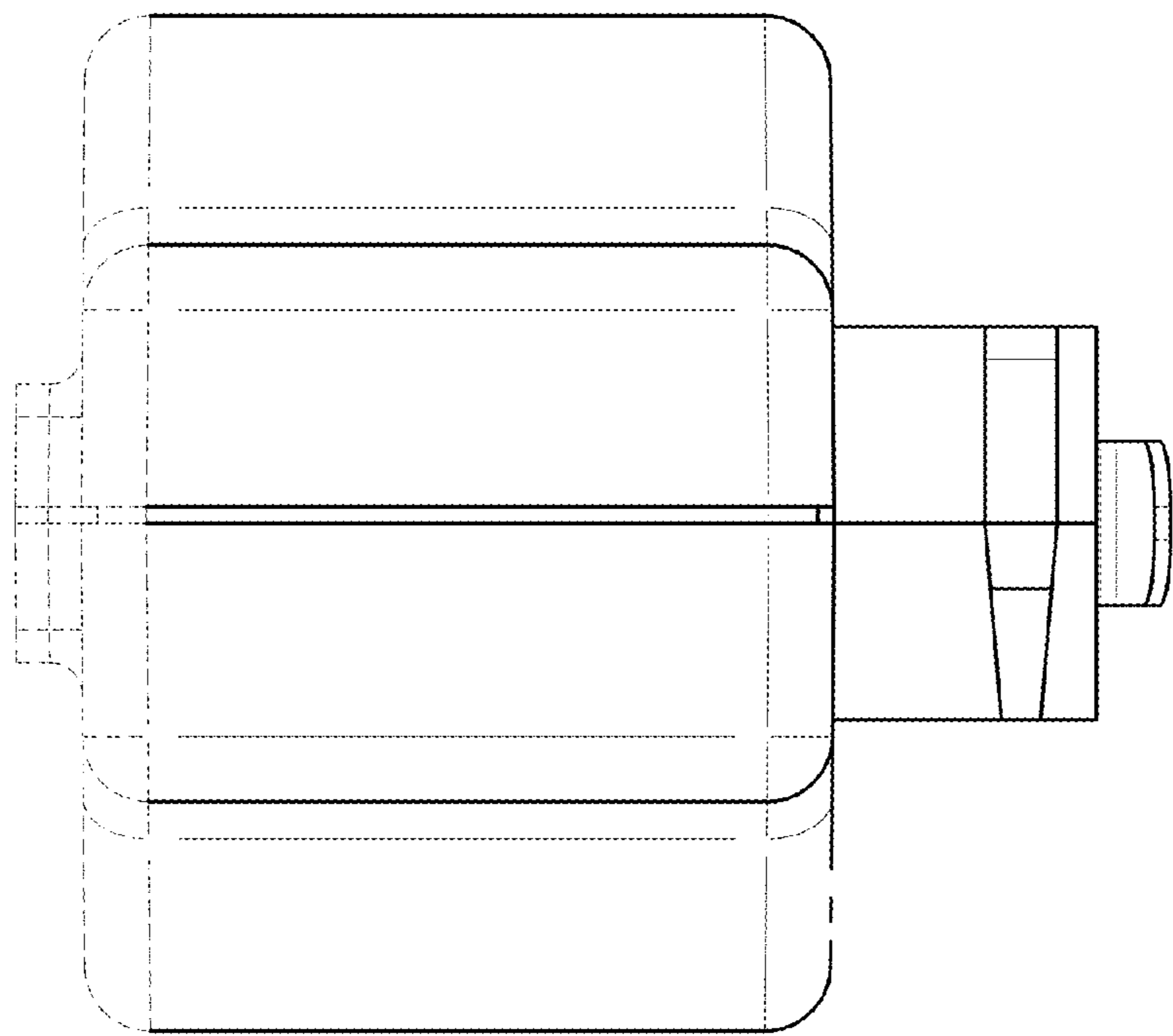


FIG. 9

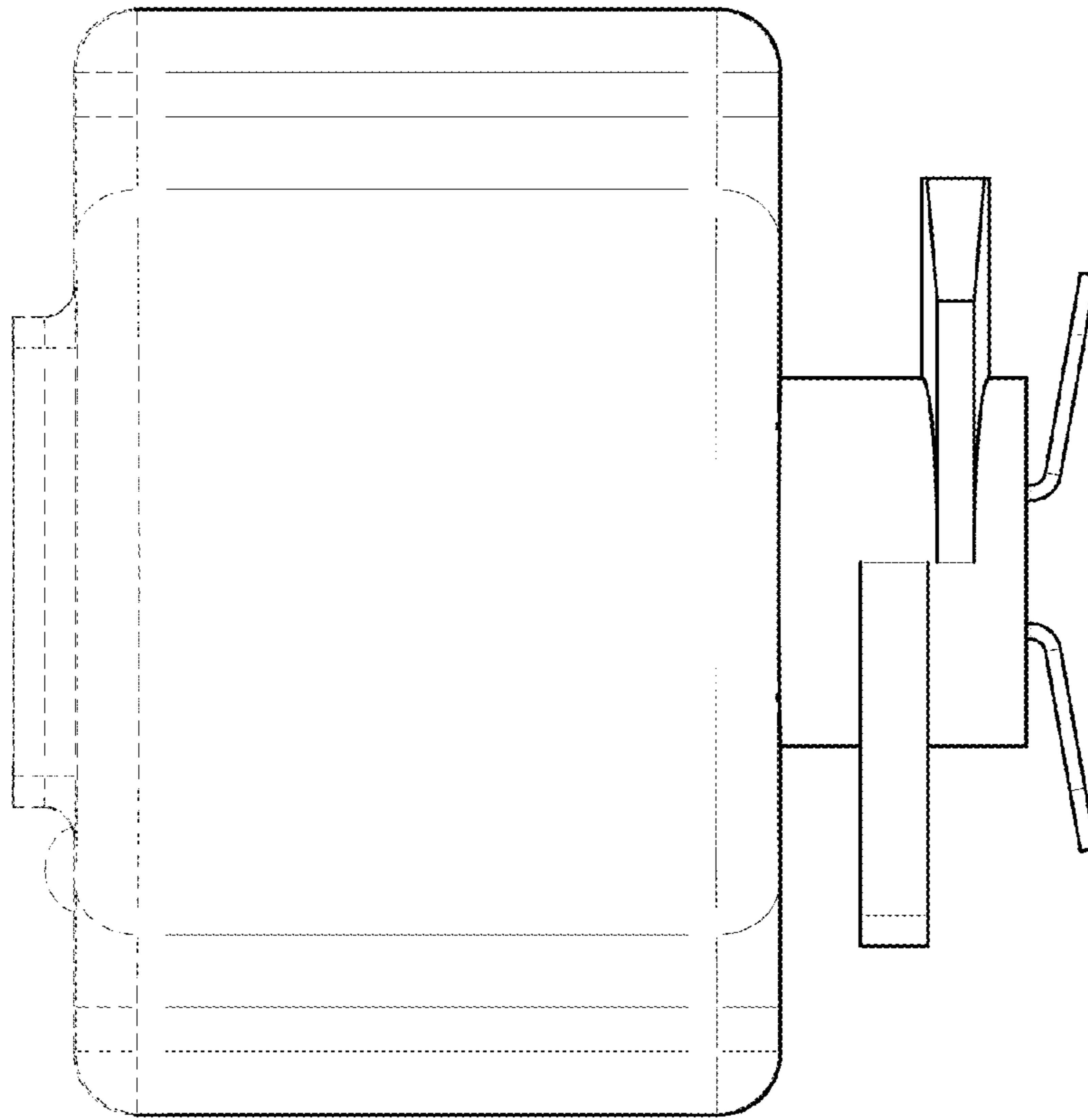


FIG. 11

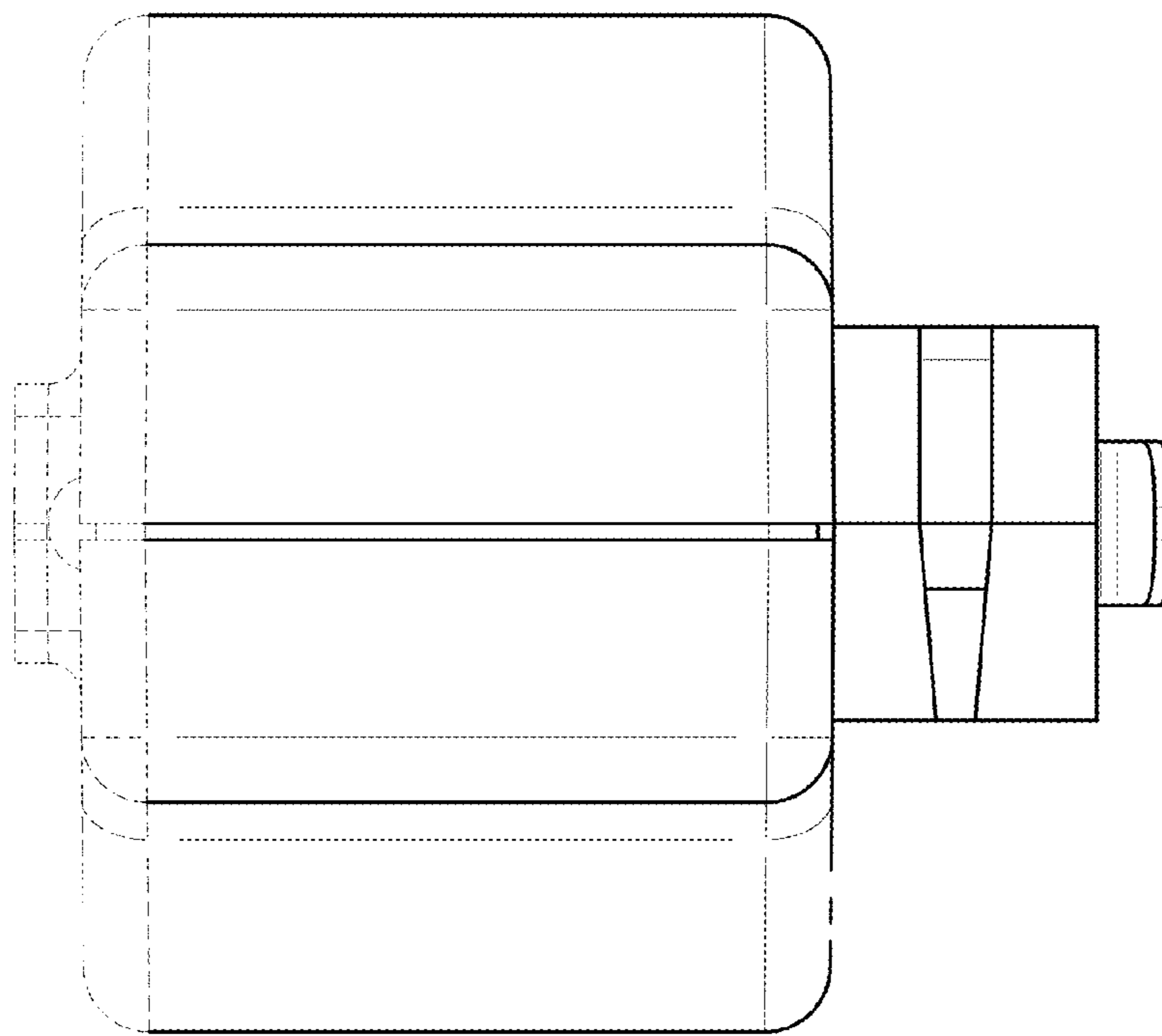


FIG. 12

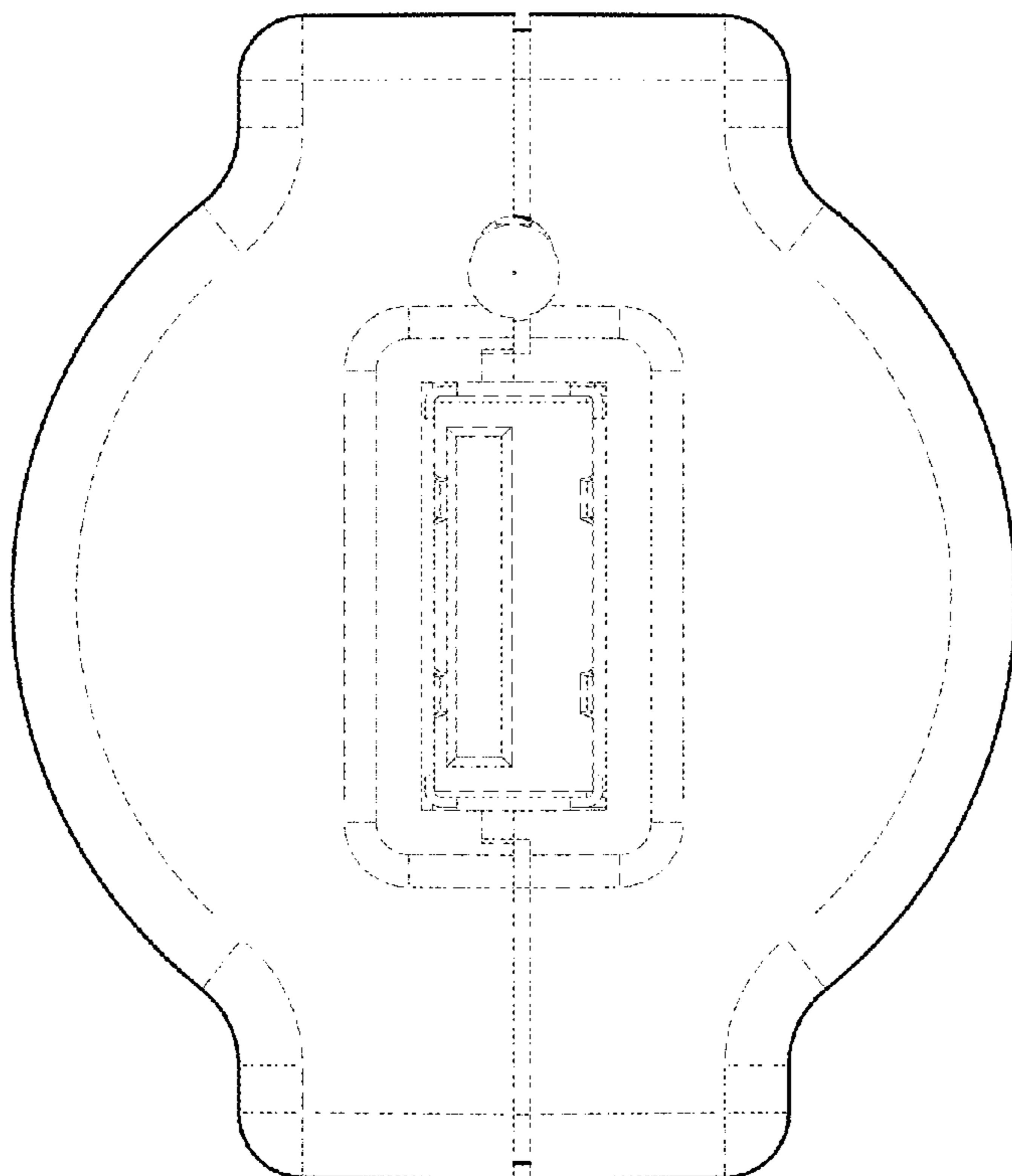


FIG. 14

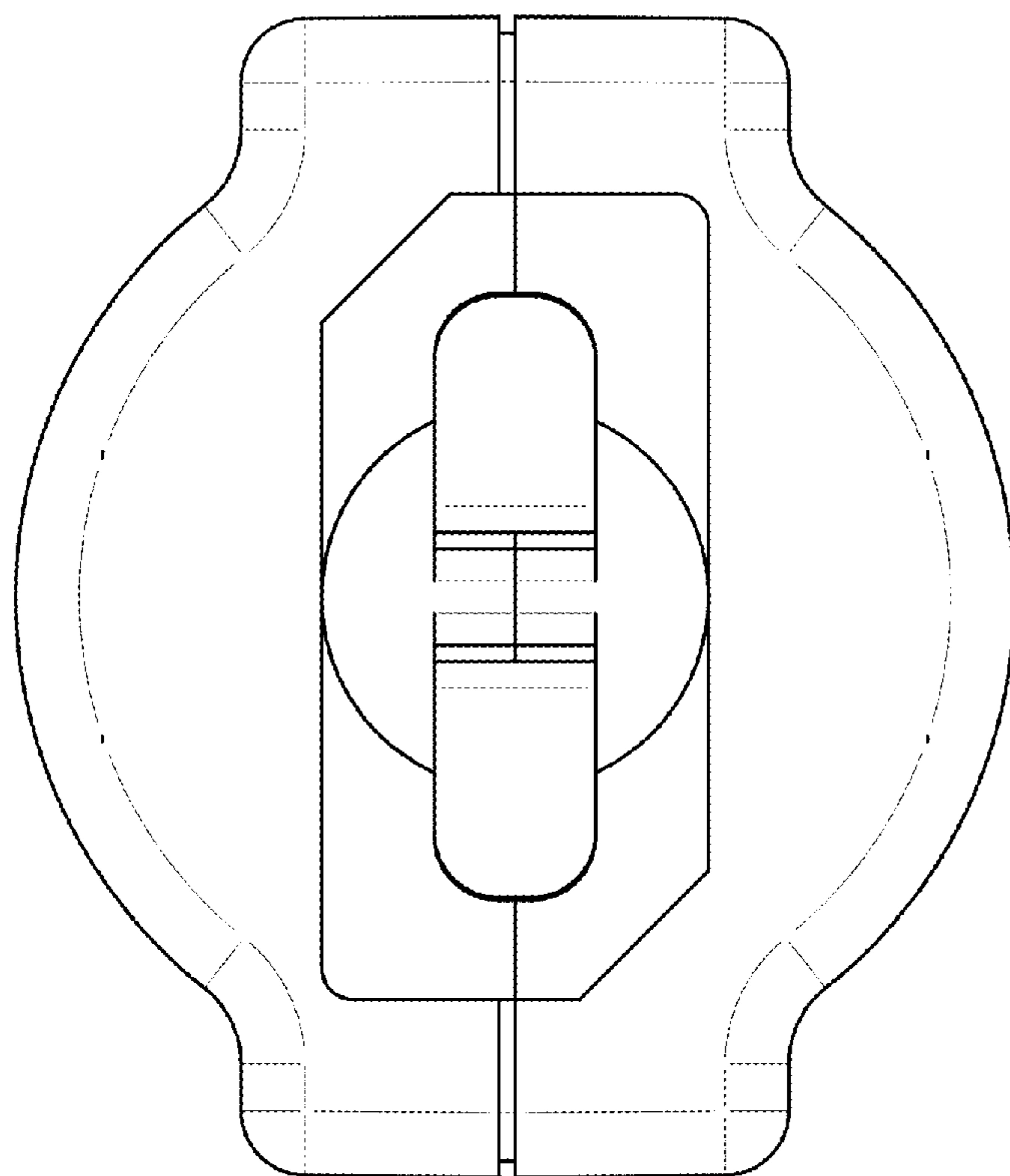


FIG. 13