

US00D762173S

(12) **United States Design Patent**
Solomon et al.

(10) **Patent No.:** **US D762,173 S**
(45) **Date of Patent:** **** Jul. 26, 2016**

(54) **POWER ADAPTER**
(71) Applicant: **Hewlett-Packard Development Company, L.P.**, Houston, TX (US)
(72) Inventors: **Mark C. Solomon**, San Jose, CA (US); **Giovanni Mata Magana**, East Palo Alto, CA (US)
(73) Assignee: **Hewlett-Packard Development Compant, L.P.**, Houston, TX (US)
(**) Term: **14 Years**
(21) Appl. No.: **29/465,336**
(22) Filed: **Aug. 27, 2013**
(51) **LOC (10) Cl.** **13-02**
(52) **U.S. Cl.**
USPC **D13/110**
(58) **Field of Classification Search**
USPC D13/107, 108, 110, 123, 133, 137.1, D13/138.1, 199; 174/59, 61; 307/150, 151; 320/111, 114; 363/132, 140, 142, 143, 363/146; 439/105, 131, 166, 218, 518, 692, 439/956; D14/240, 251, 253, 432, 433, 434
CPC H01R 27/00; H01R 31/06; H02J 7/0055; H02J 2007/0059
See application file for complete search history.

7,241,169 B1 * 7/2007 Yang H01R 31/06 439/172
D567,173 S * 4/2008 Jidaisho D13/110
D585,061 S * 1/2009 Han D14/358
D610,994 S * 3/2010 Fahrendorff et al. D13/138.1
D634,704 S * 3/2011 Tieleman D13/102

(Continued)

Primary Examiner — Derrick Holland
Assistant Examiner — Jennifer O King
(74) *Attorney, Agent, or Firm* — Rathe Linderbaum LLP

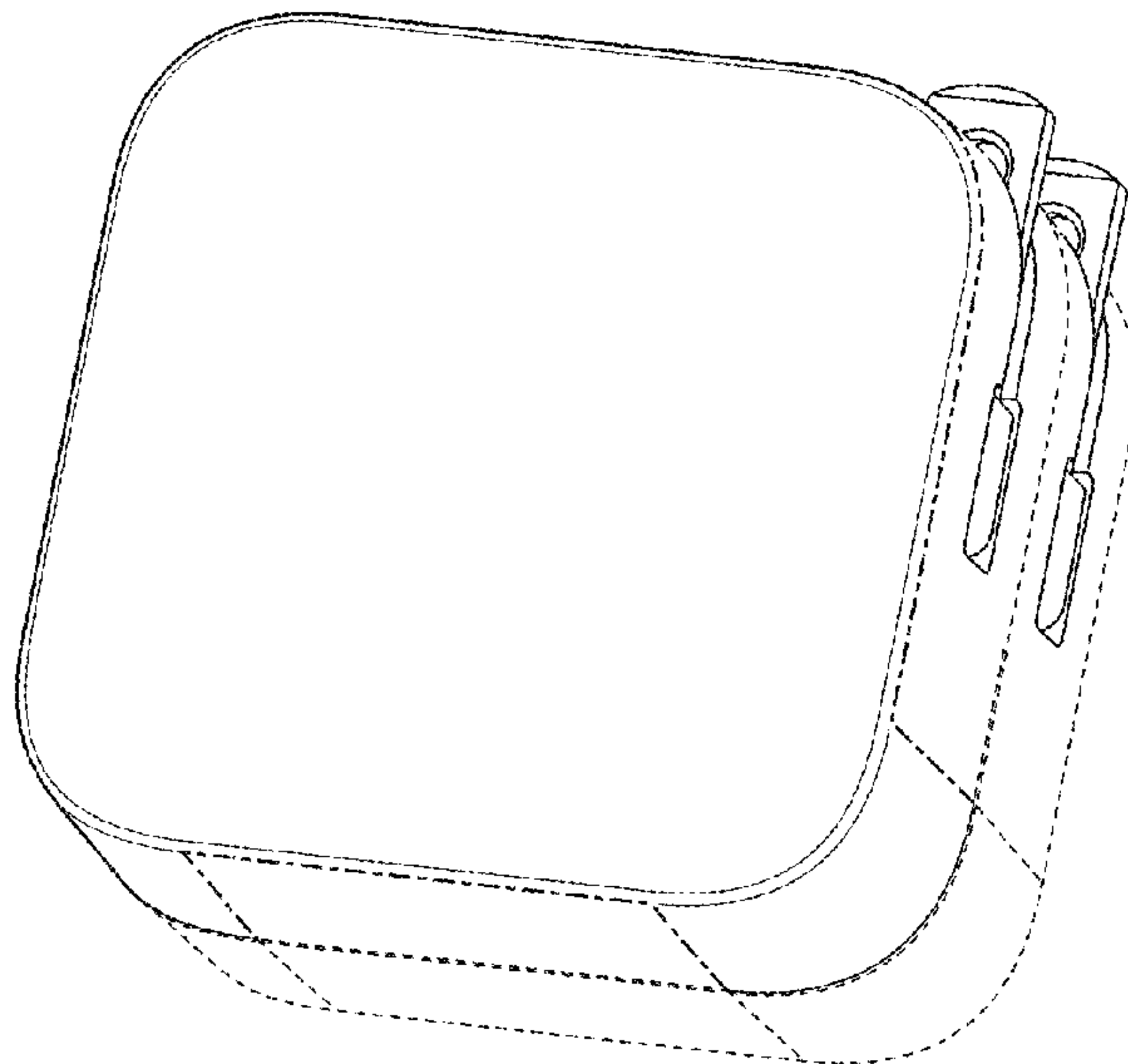
(57) **CLAIM**
We claim the ornamental design for a power adapter, as shown and described.

DESCRIPTION

FIG. 1 is a front perspective view of a power adapter;
FIG. 2 is a front view thereof;
FIG. 3 is a left side view thereof;
FIG. 4 is a right side view thereof;
FIG. 5 is a rear view thereof;
FIG. 6 is a top view thereof;
FIG. 7 is a bottom view thereof;
FIG. 8 is a front perspective view of a second power adapter;
FIG. 9 is a front view of the second power adapter;
FIG. 10 is a left side view of the second power adapter;
FIG. 11 is a right side view of the second power adapter;
FIG. 12 is a rear view of the second power adapter;
FIG. 13 is a top view of the second power adapter; and,
FIG. 14 is a bottom view of the second power adapter.
The broken lines shown represent unclaimed subject matter only and form no part of the claim. Where the short dash-long dash broken lines abut the shaded surface it is understood that those broken lines represent an unclaimed boundary between claimed and unclaimed surfaces. None of the broken lines form any part of the claimed design.

(56) **References Cited**
U.S. PATENT DOCUMENTS
5,613,863 A * 3/1997 Klaus H01R 27/00 439/131
6,086,395 A * 7/2000 Lloyd et al. 439/172
D478,310 S * 8/2003 Andre D13/110
D490,080 S * 5/2004 Alviar D13/123
D519,922 S * 5/2006 Andre et al. D13/110
D531,025 S * 10/2006 Tanner D9/426

1 Claim, 8 Drawing Sheets



(56)

References Cited

U.S. PATENT DOCUMENTS

D647,476 S * 10/2011 Ciou D13/110
D652,380 S * 1/2012 Chen D13/110
D657,743 S * 4/2012 Andre et al. D13/110
D658,123 S * 4/2012 Andre et al. D13/110
D661,651 S * 6/2012 Smith et al. D13/138.1
D663,688 S * 7/2012 Liu D13/108
D675,569 S * 2/2013 Chang D13/133

D682,781 S * 5/2013 Wakafuji et al. D13/110
D685,326 S * 7/2013 Kim et al. D13/110
D692,379 S * 10/2013 Bae et al. D13/110
D693,764 S * 11/2013 Hok Man D13/108
D694,183 S * 11/2013 Matsuoka et al. D13/110
D694,185 S * 11/2013 Matsuoka et al. D13/110
D711,824 S * 8/2014 Matsuoka et al. D13/110
D715,734 S * 10/2014 Levy D13/110
D730,328 S * 5/2015 Chun D14/230

* cited by examiner

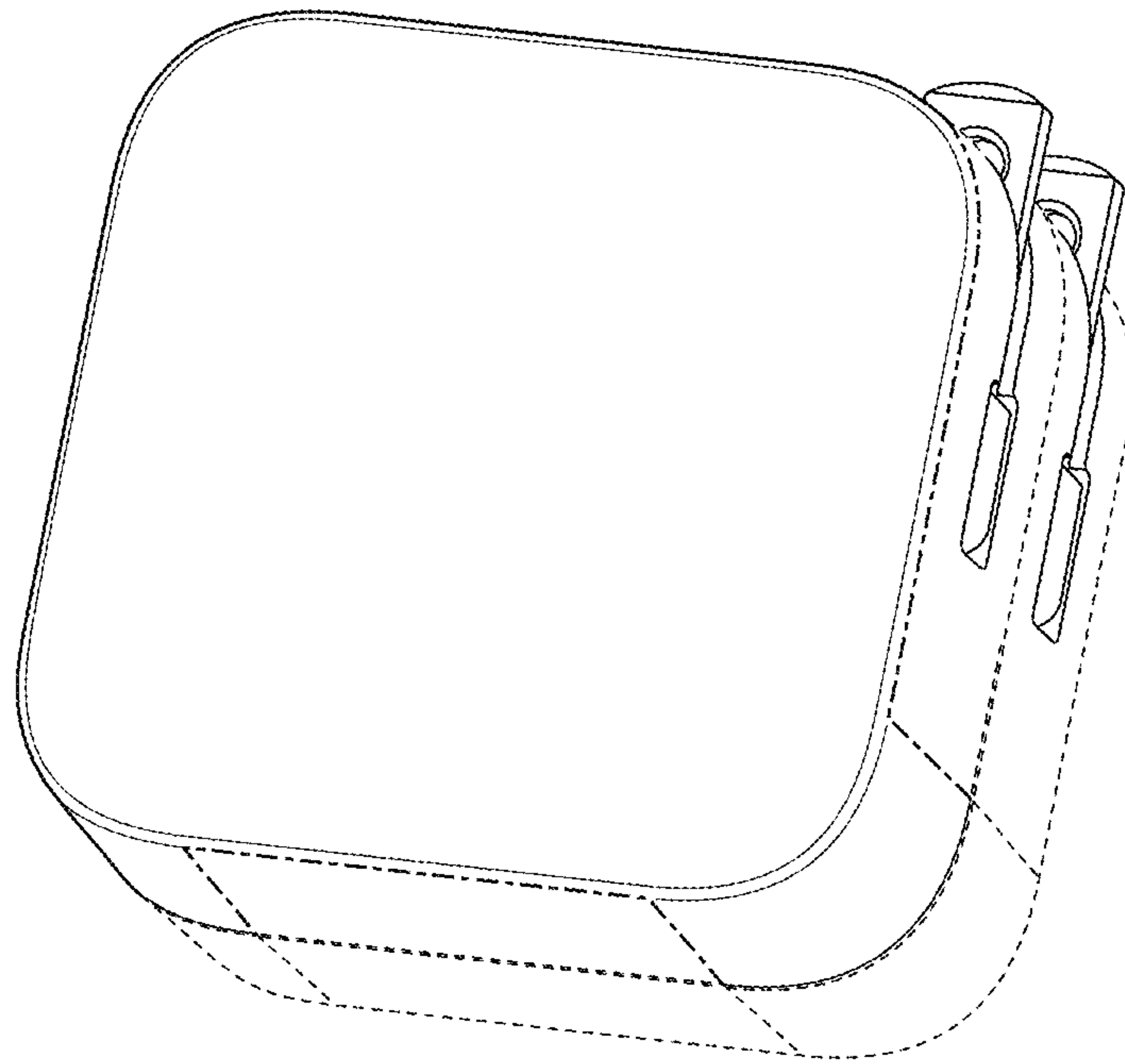


FIG. 1

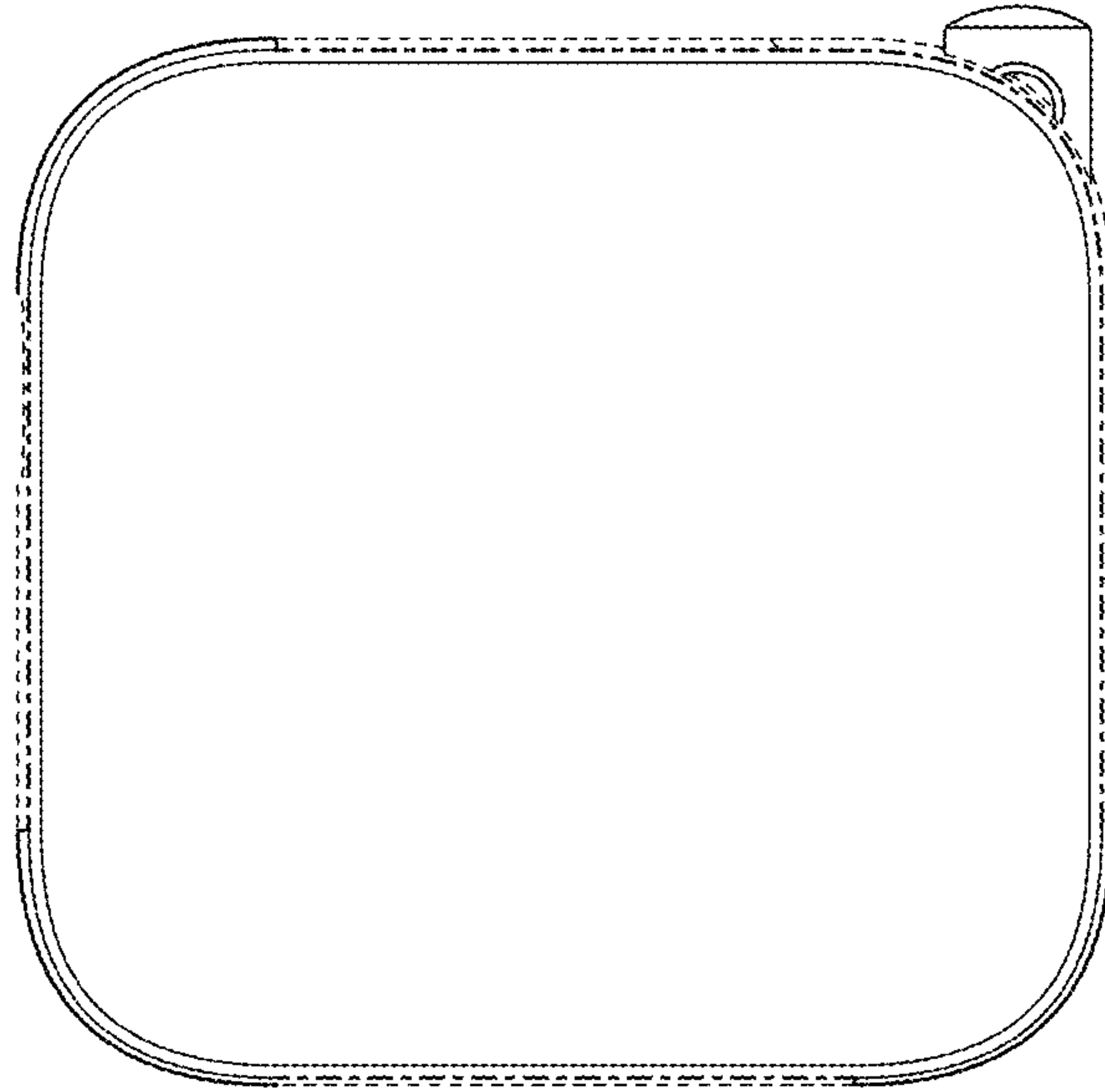


FIG. 2

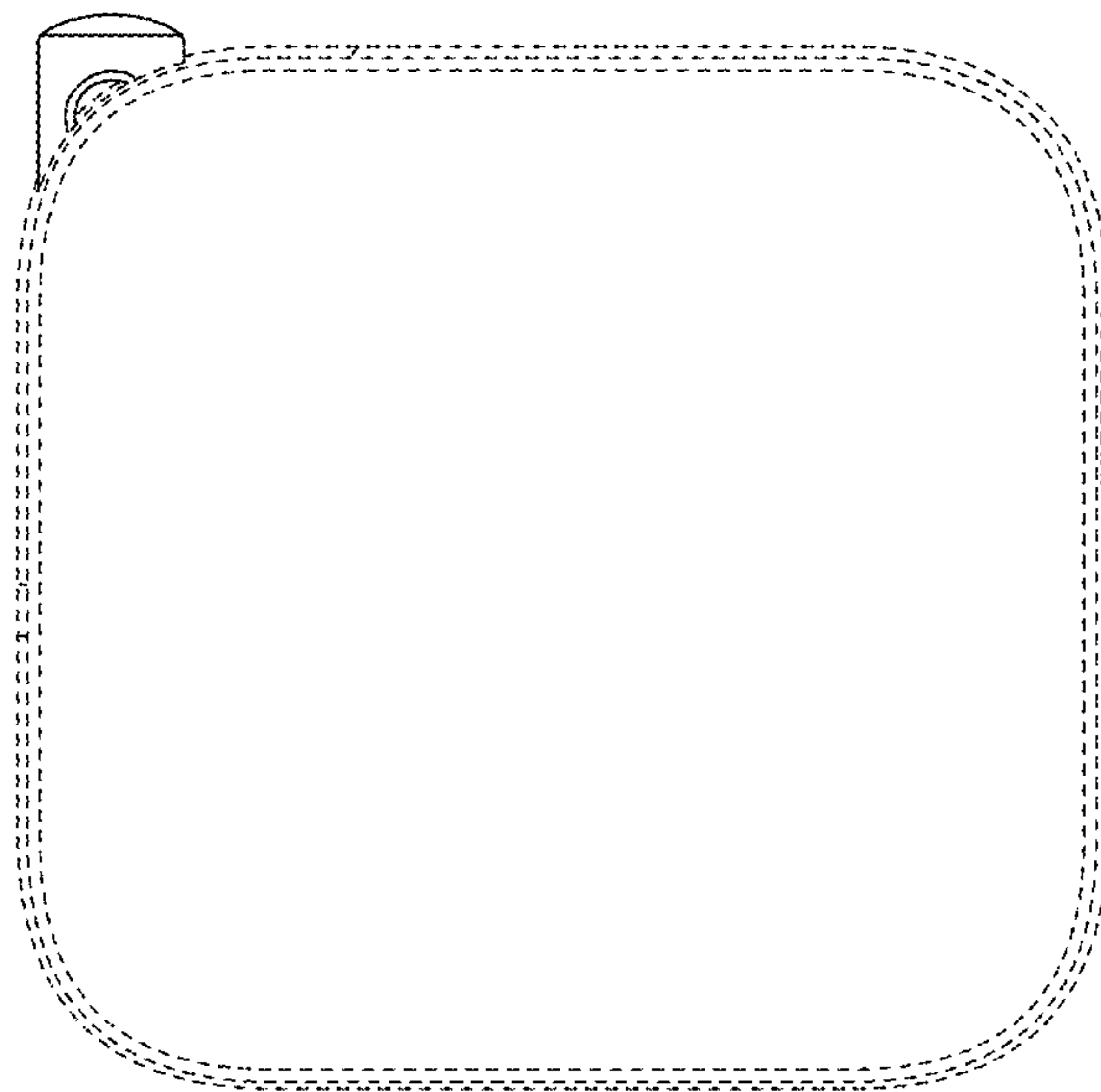


FIG. 3

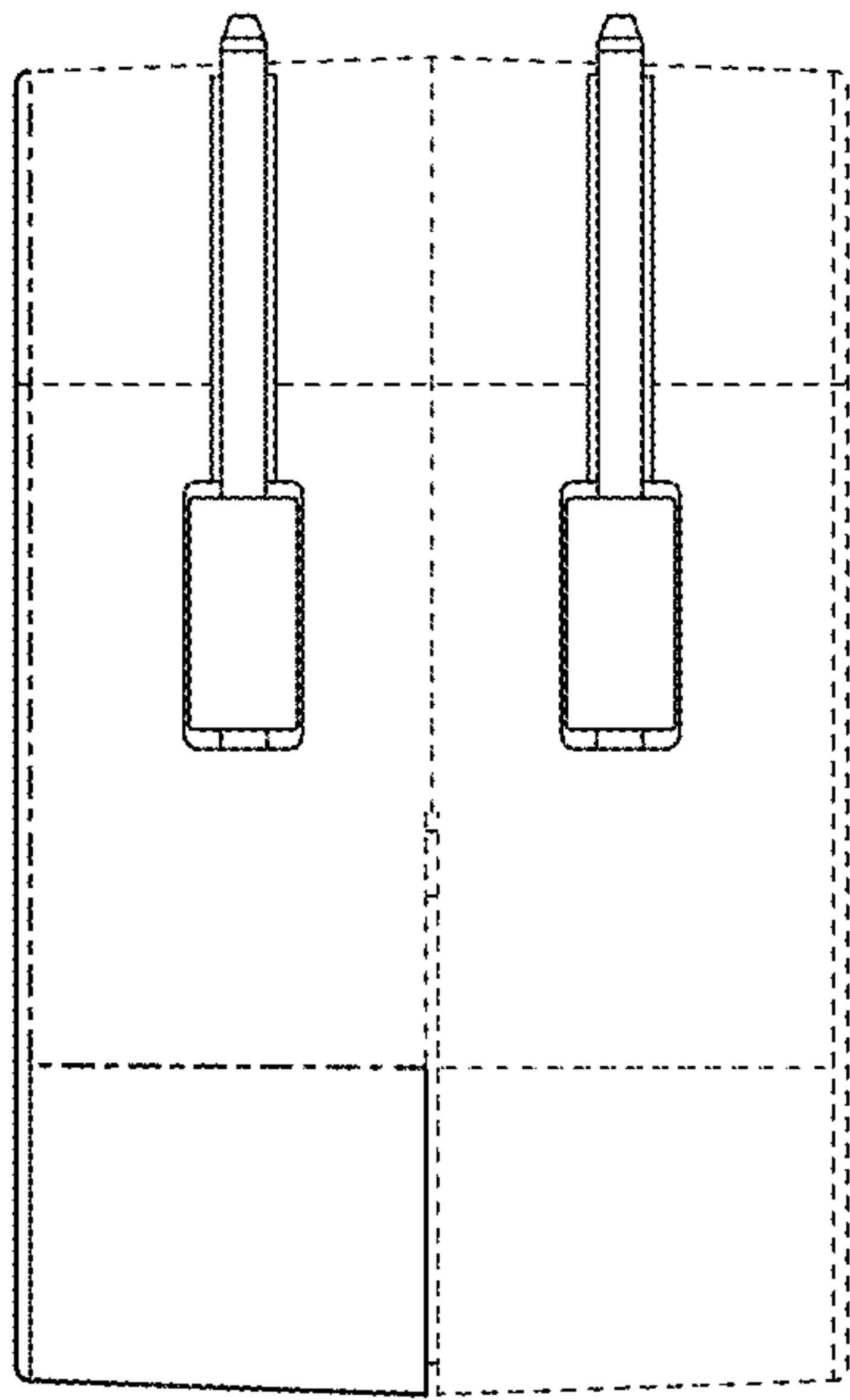


FIG. 4

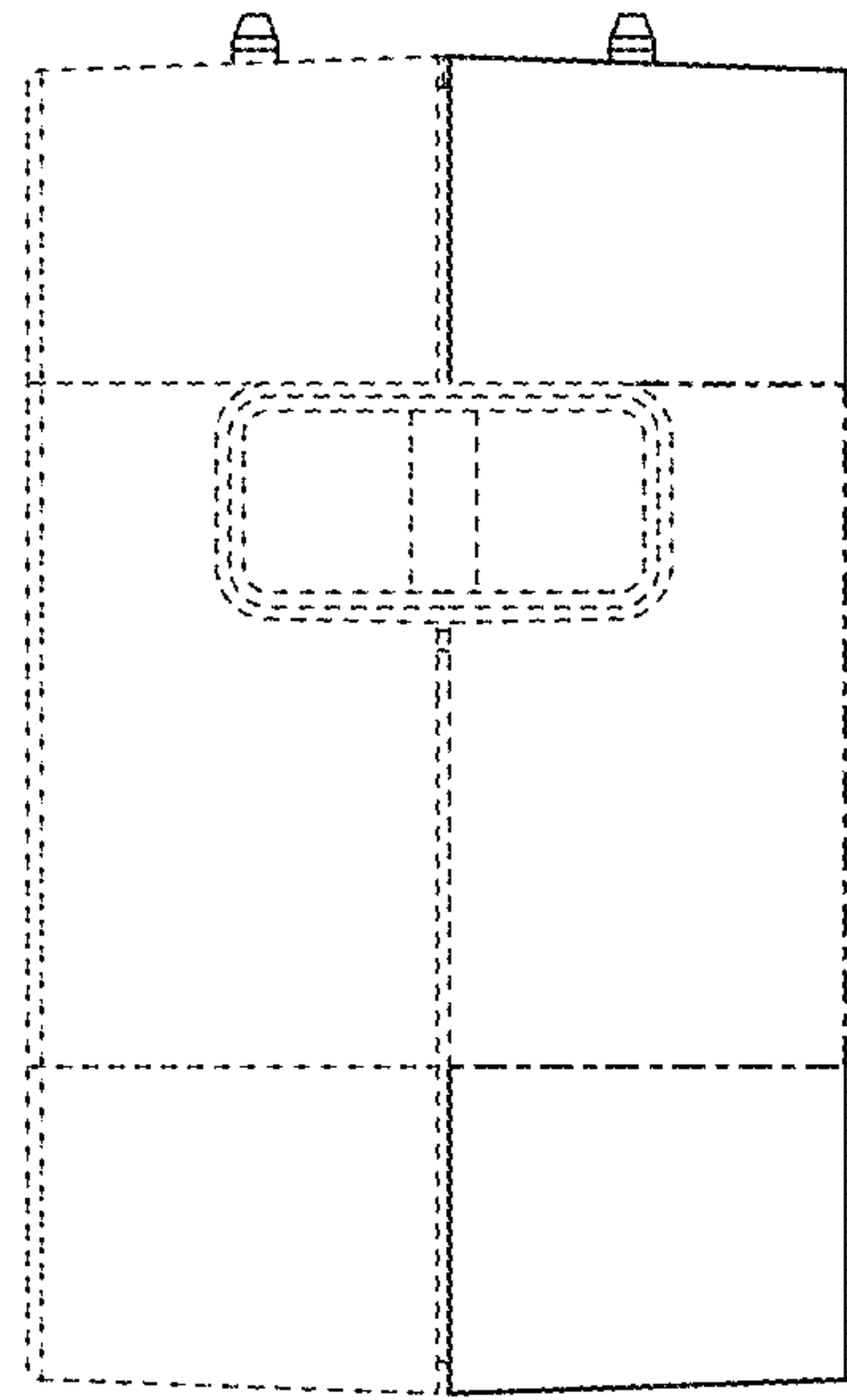


FIG. 5

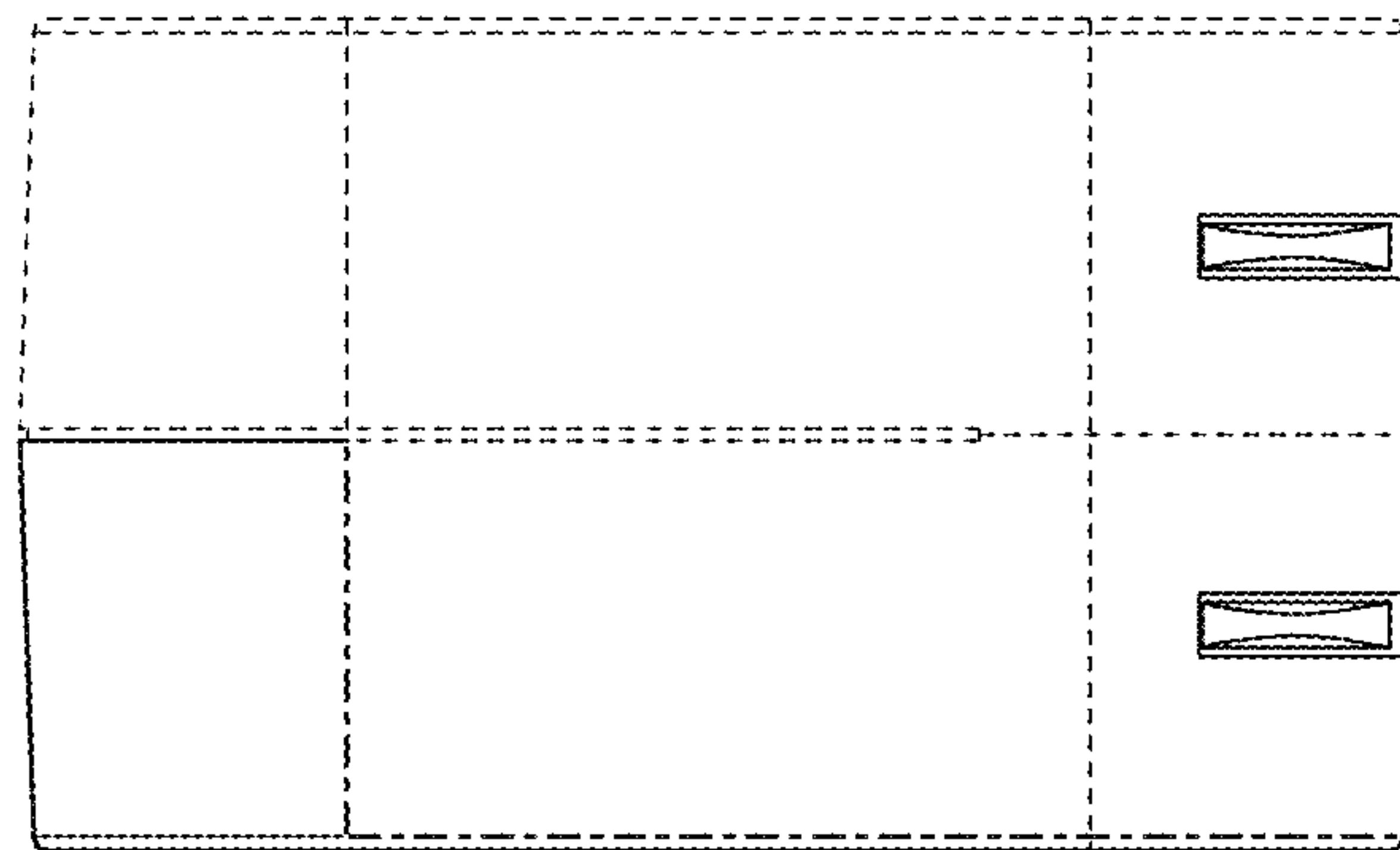


FIG. 6

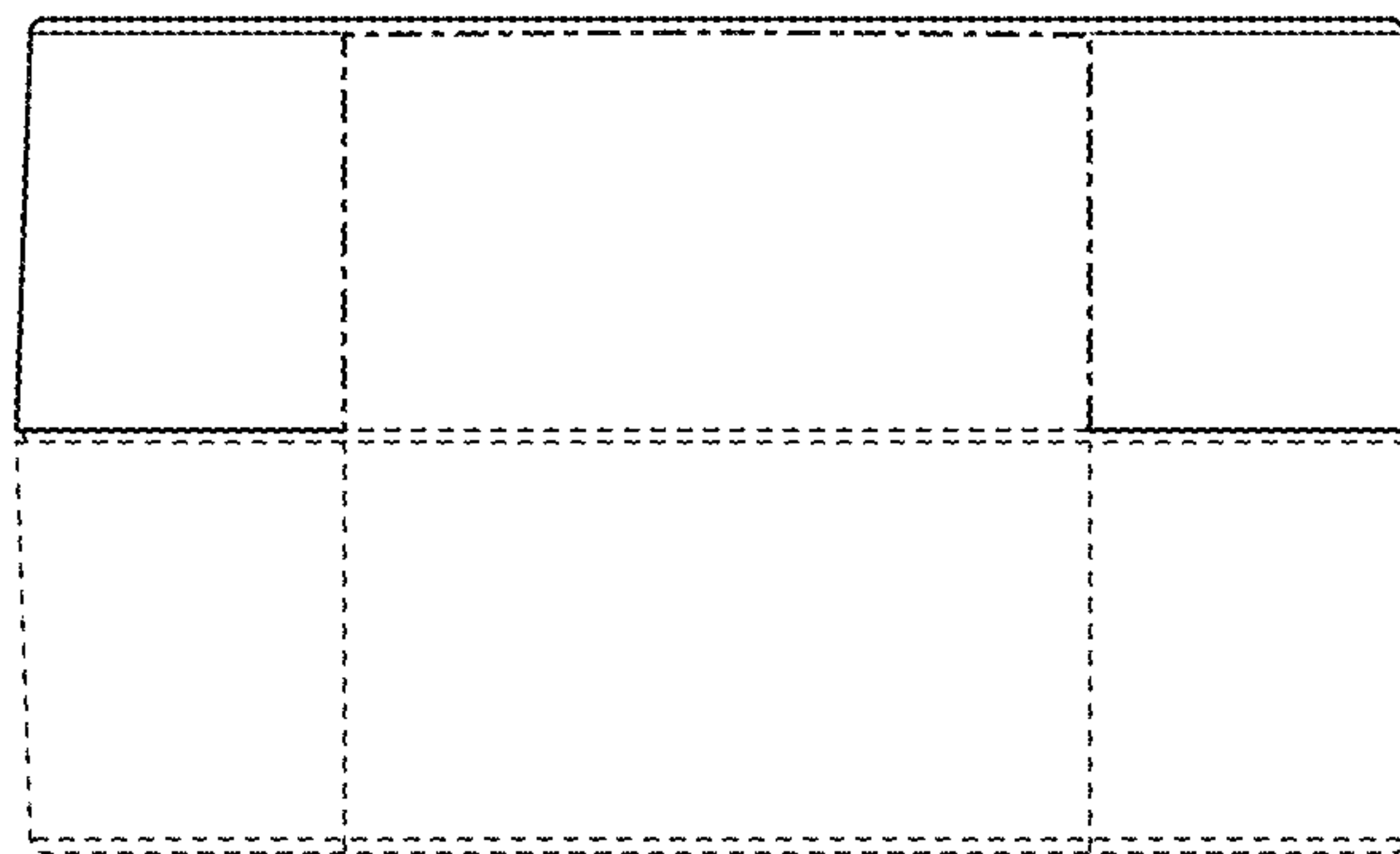


FIG. 7

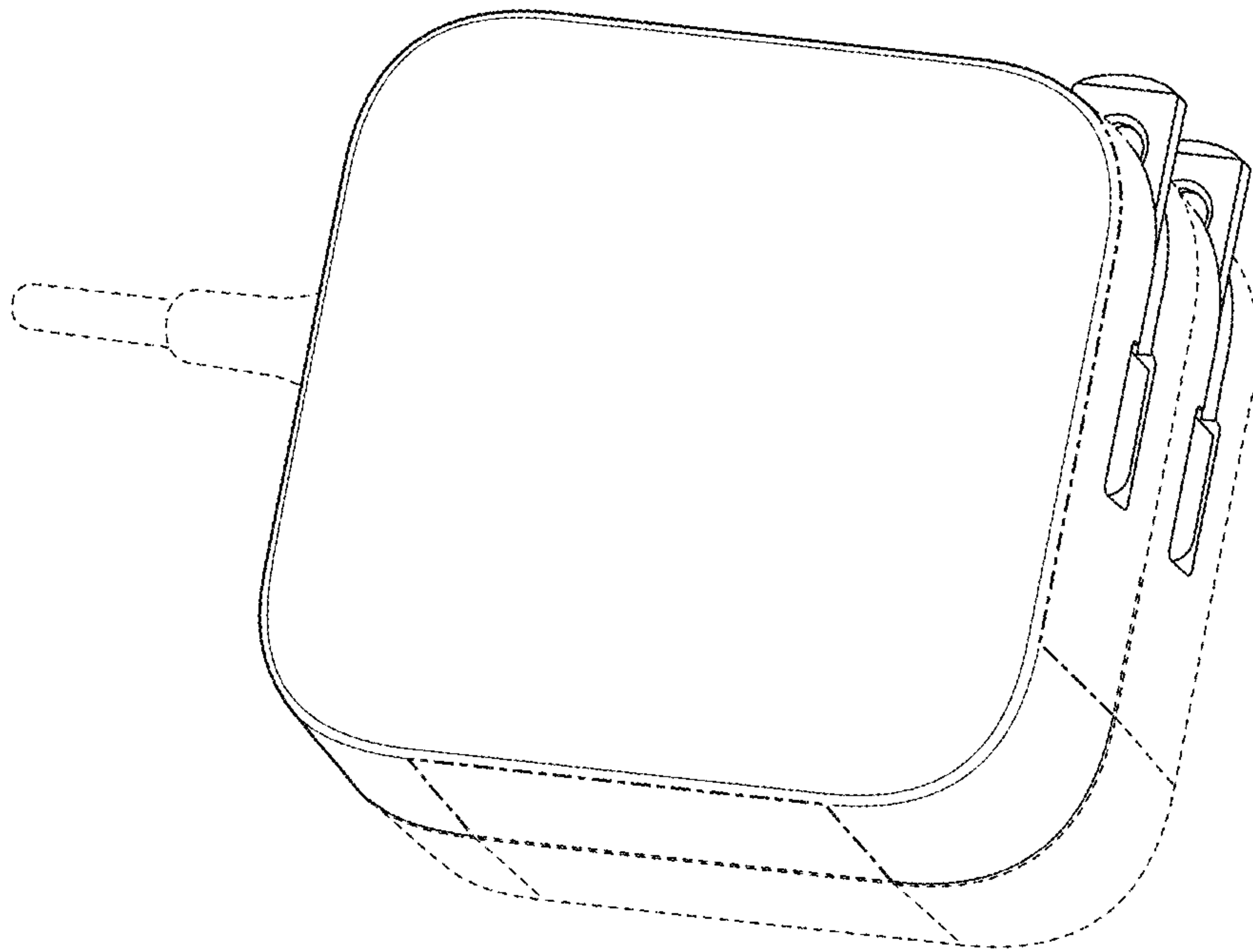


FIG. 8

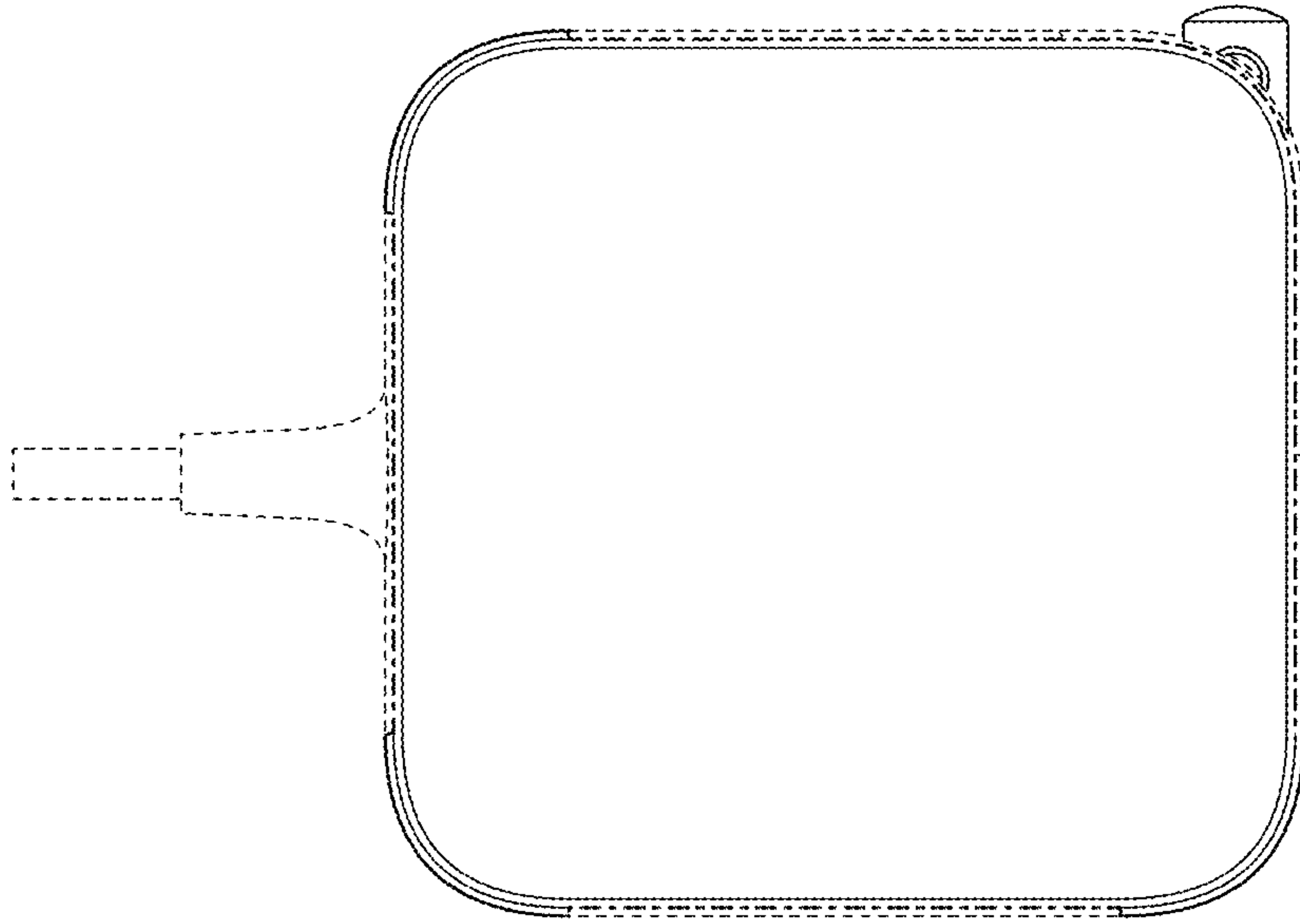


FIG. 9

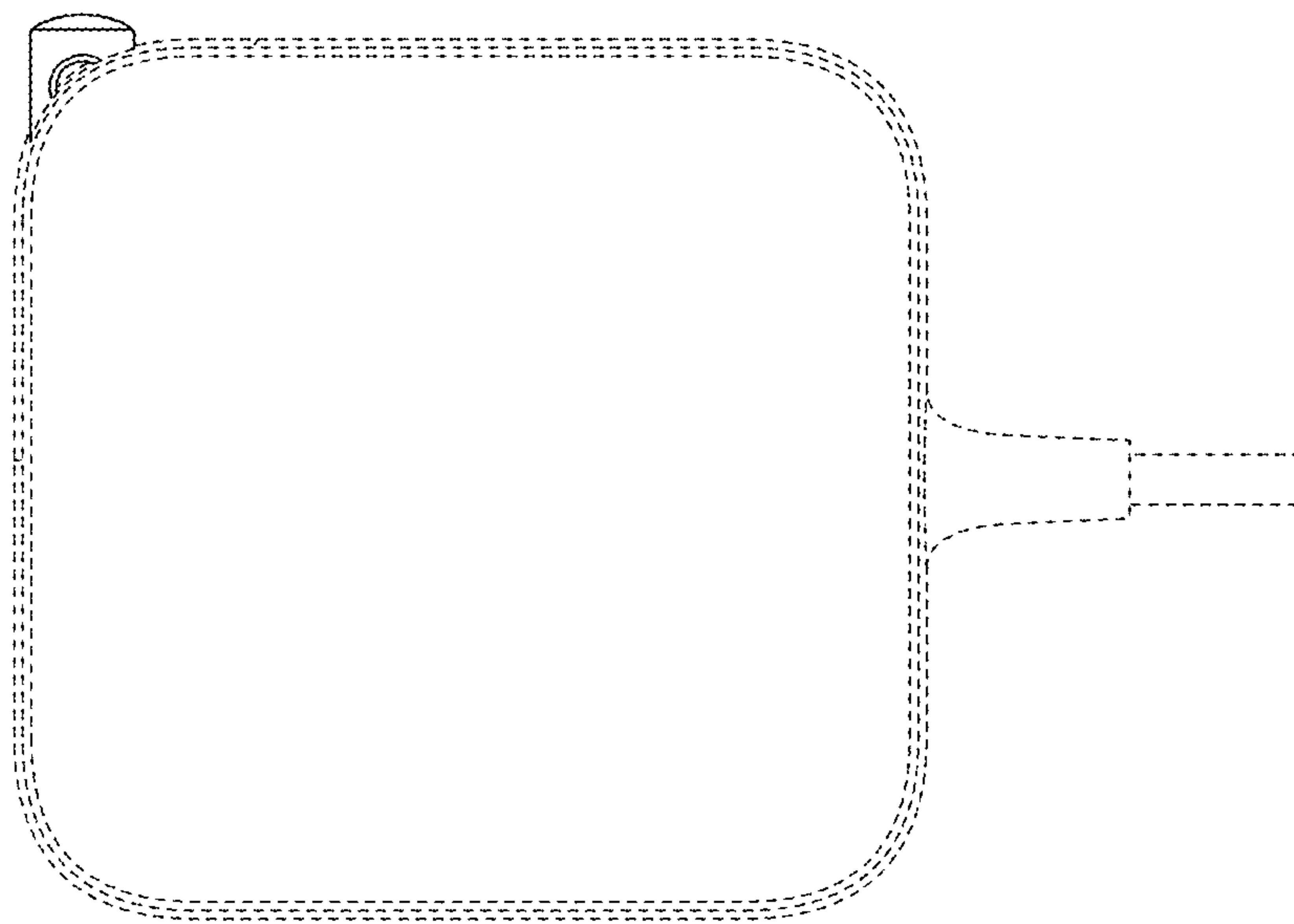


FIG. 10

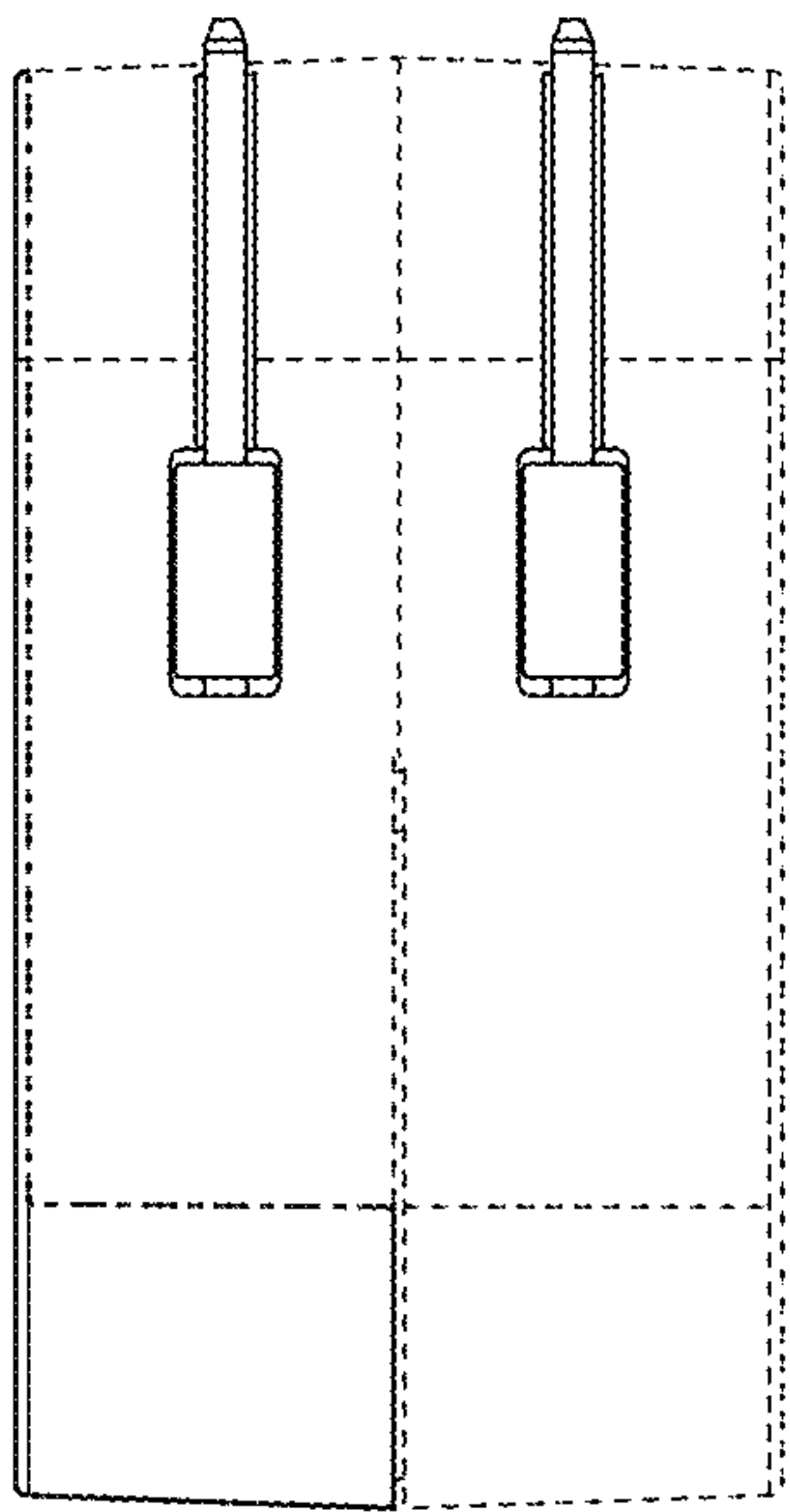


FIG. 11

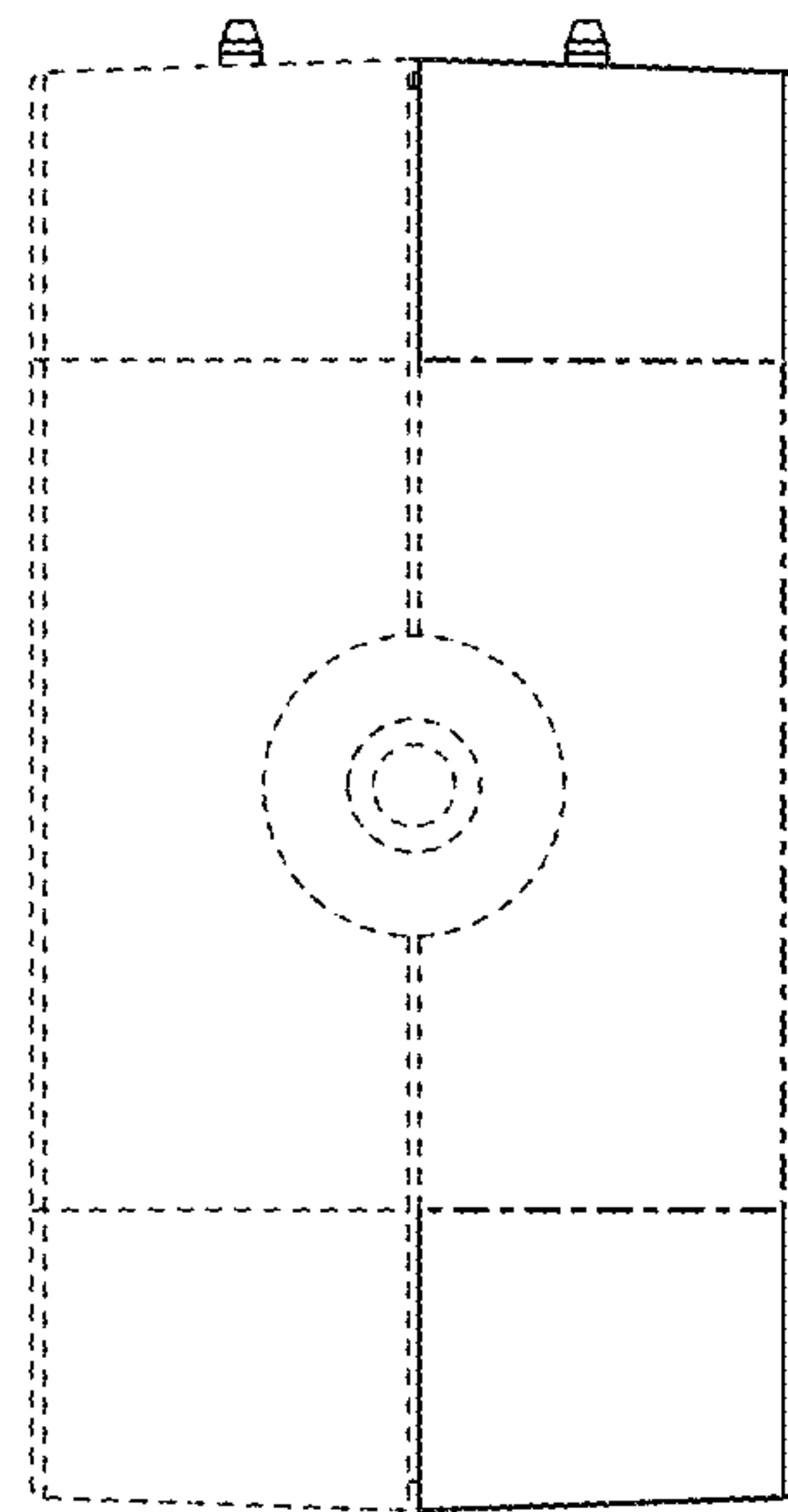


FIG. 12

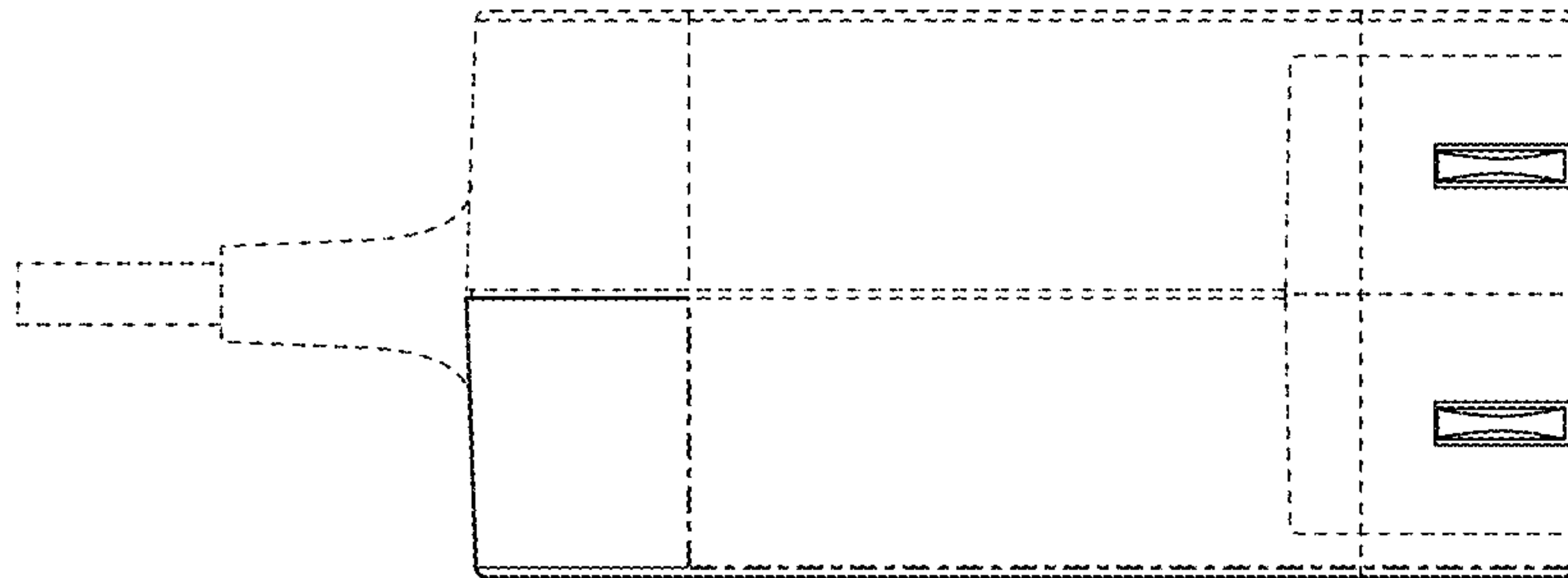


FIG. 13

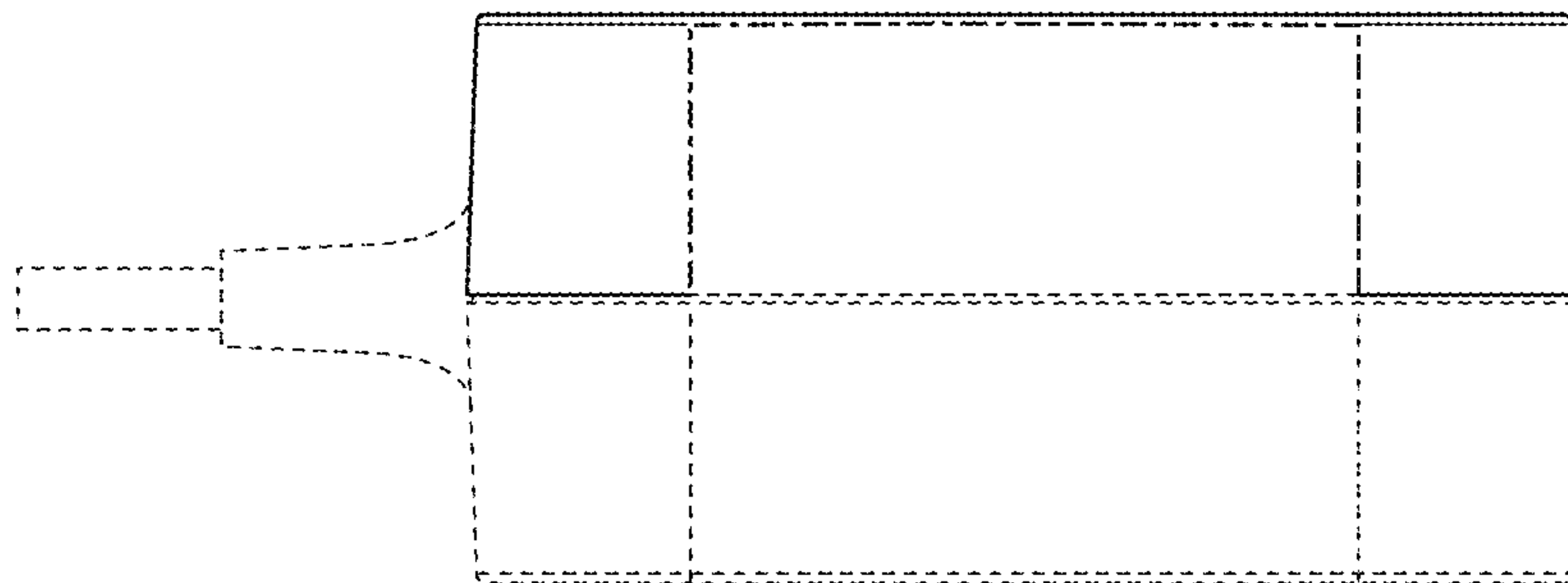


FIG. 14