



US00D762172S

(12) **United States Design Patent**
Pignotti

(10) **Patent No.:** **US D762,172 S**
(45) **Date of Patent:** **** Jul. 26, 2016**

- (54) **PLUG IN FOUR PORT USB CHARGER**
- (71) Applicant: **Christopher Pignotti**, Phoenix, AZ (US)
- (72) Inventor: **Christopher Pignotti**, Phoenix, AZ (US)
- (**) Term: **14 Years**
- (21) Appl. No.: **29/511,556**
- (22) Filed: **Dec. 11, 2014**
- (51) **LOC (10) Cl.** **13-02**
- (52) **U.S. Cl.**
USPC **D13/108**
- (58) **Field of Classification Search**
USPC D13/102, 103, 105-108, 110, 118-122,
D13/133, 137.1-137.4, 138.1, 138.2, 139.1,
D13/139.7, 144, 184, 199; D14/217, 253,
D14/299, 432-434, 435.1; 320/107-115;
439/103-105, 131, 172
CPC H01R 27/00; H01R 29/00; H01R 31/065;
H01R 13/652; H01R 13/6675; H02J 7/0027;
H02J 7/0042; H02J 7/0044; Y02E 60/12
See application file for complete search history.

(56) **References Cited**

U.S. PATENT DOCUMENTS

D430,848 S *	9/2000	Davi	D13/138.1
D561,694 S *	2/2008	Lam	D13/110
D573,952 S *	7/2008	Schwartz	D13/139.1
D575,775 S *	8/2008	Sekine	D13/137.3
D584,690 S *	1/2009	Hsiung	D13/138.1
D634,269 S *	3/2011	Griffin, Jr.	D13/103
D638,357 S *	5/2011	Sasada	D13/110
D663,688 S *	7/2012	Liu	D13/108

D696,627 S *	12/2013	Tsoi	D13/110
D697,029 S *	1/2014	Chiu	D13/110
D702,633 S *	4/2014	Andre	D13/110
D713,788 S *	9/2014	Hasegawa	D13/110
D731,422 S *	6/2015	Aromin	D13/110
D731,970 S *	6/2015	Kamath	D13/110
D734,259 S *	7/2015	Cepress	D13/110
D734,260 S *	7/2015	Cepress	D13/110
2013/0320924 A1 *	12/2013	Merrill	H02J 7/0042 320/110

* cited by examiner

Primary Examiner — Karen S Acker

Assistant Examiner — Carmen Arellano-Lado

(74) *Attorney, Agent, or Firm* — Venjuris, PC

(57) **CLAIM**

The ornamental design for a plug in four port USB charger, as shown and described.

DESCRIPTION

FIG. 1 is a perspective view of a plug in four port USB charger;

FIG. 2 is a front view thereof;

FIG. 3 is a back view thereof;

FIG. 4 is a first side view thereof;

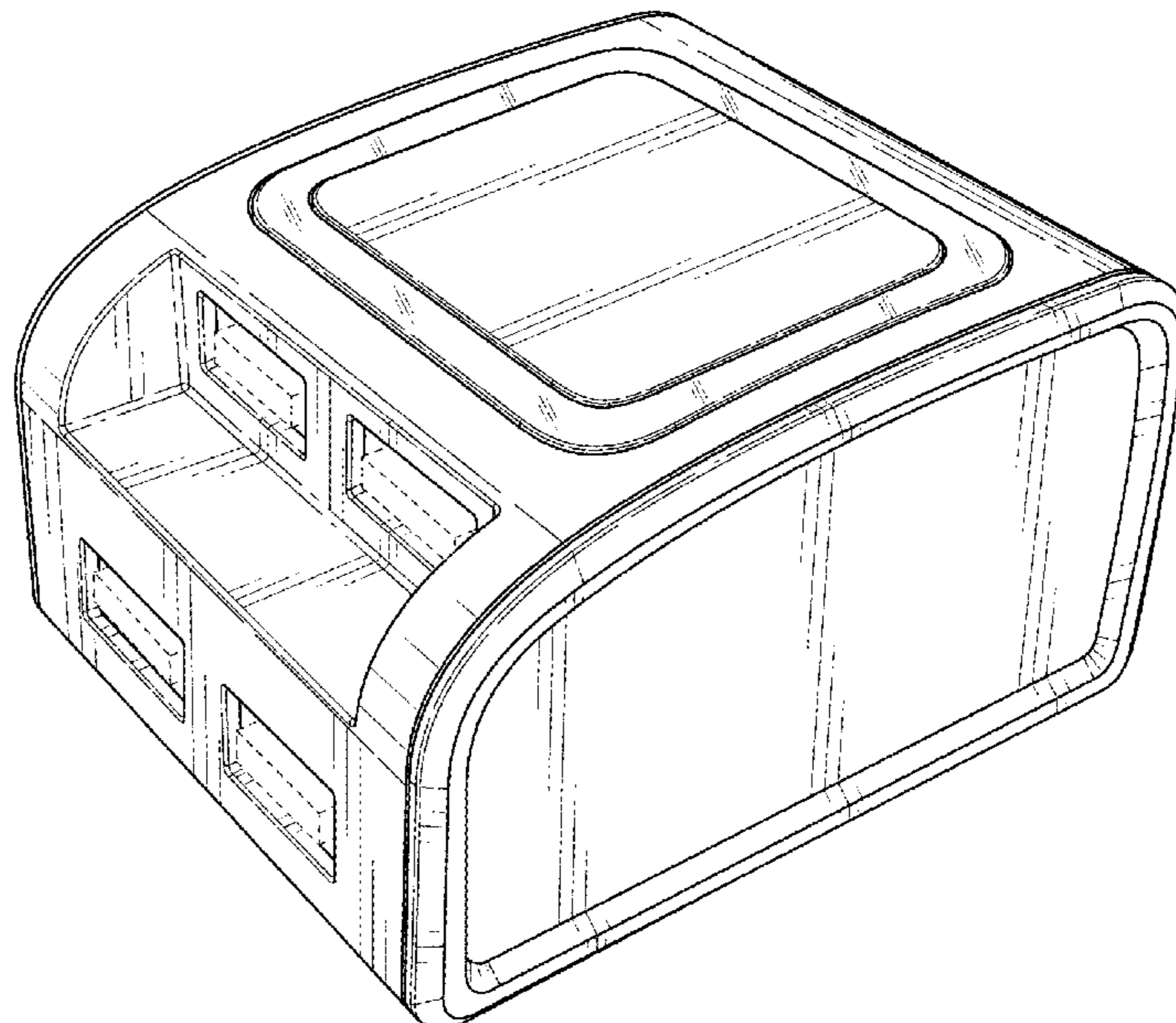
FIG. 5 is a second side view thereof;

FIG. 6 is a top view thereof; and,

FIG. 7 is a bottom view thereof.

The broken lines and the areas within the broken lines shown in FIGS. 1 and 7 depict environmental matter that forms no part of the claimed design.

1 Claim, 4 Drawing Sheets



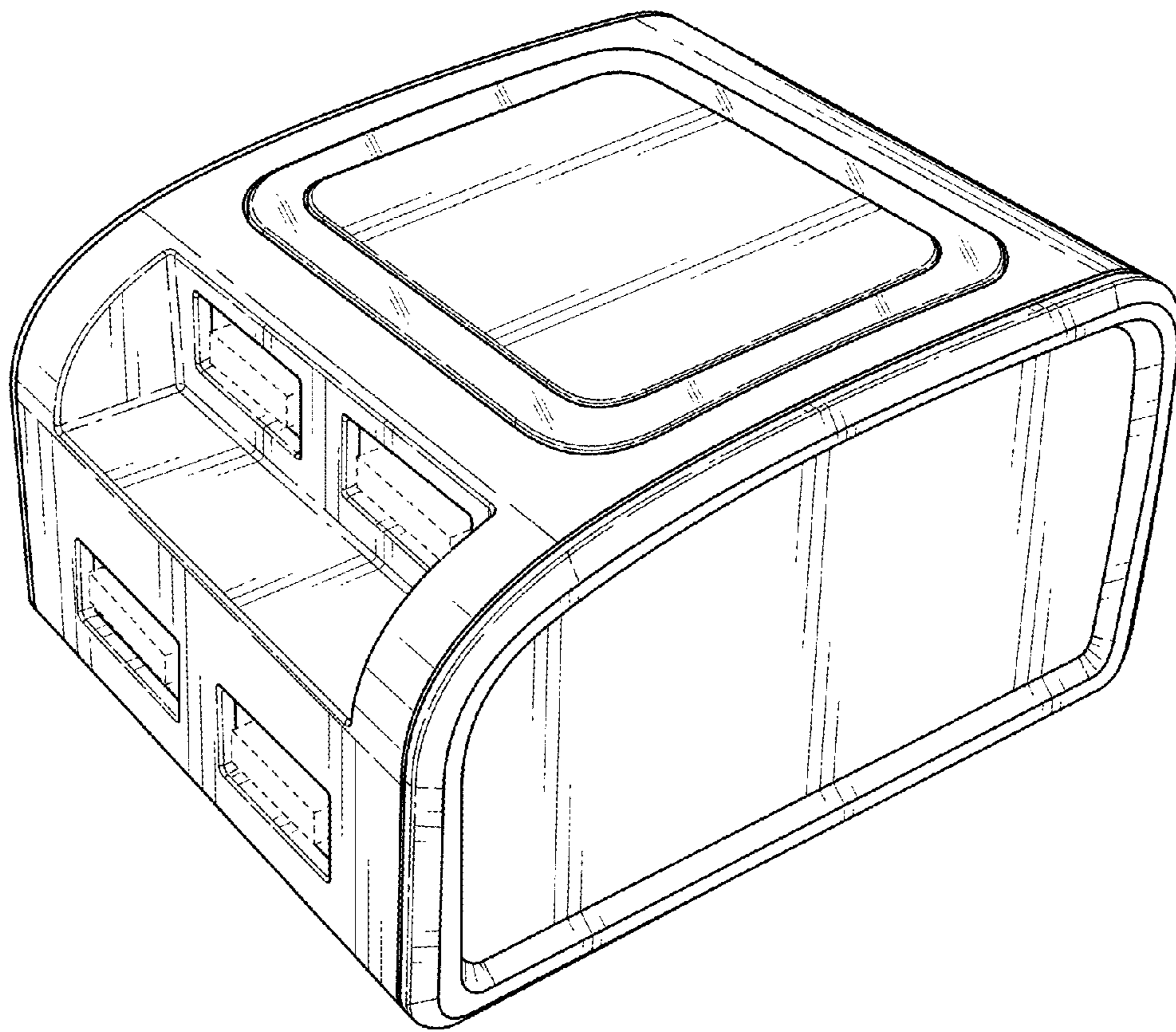


FIG. 1

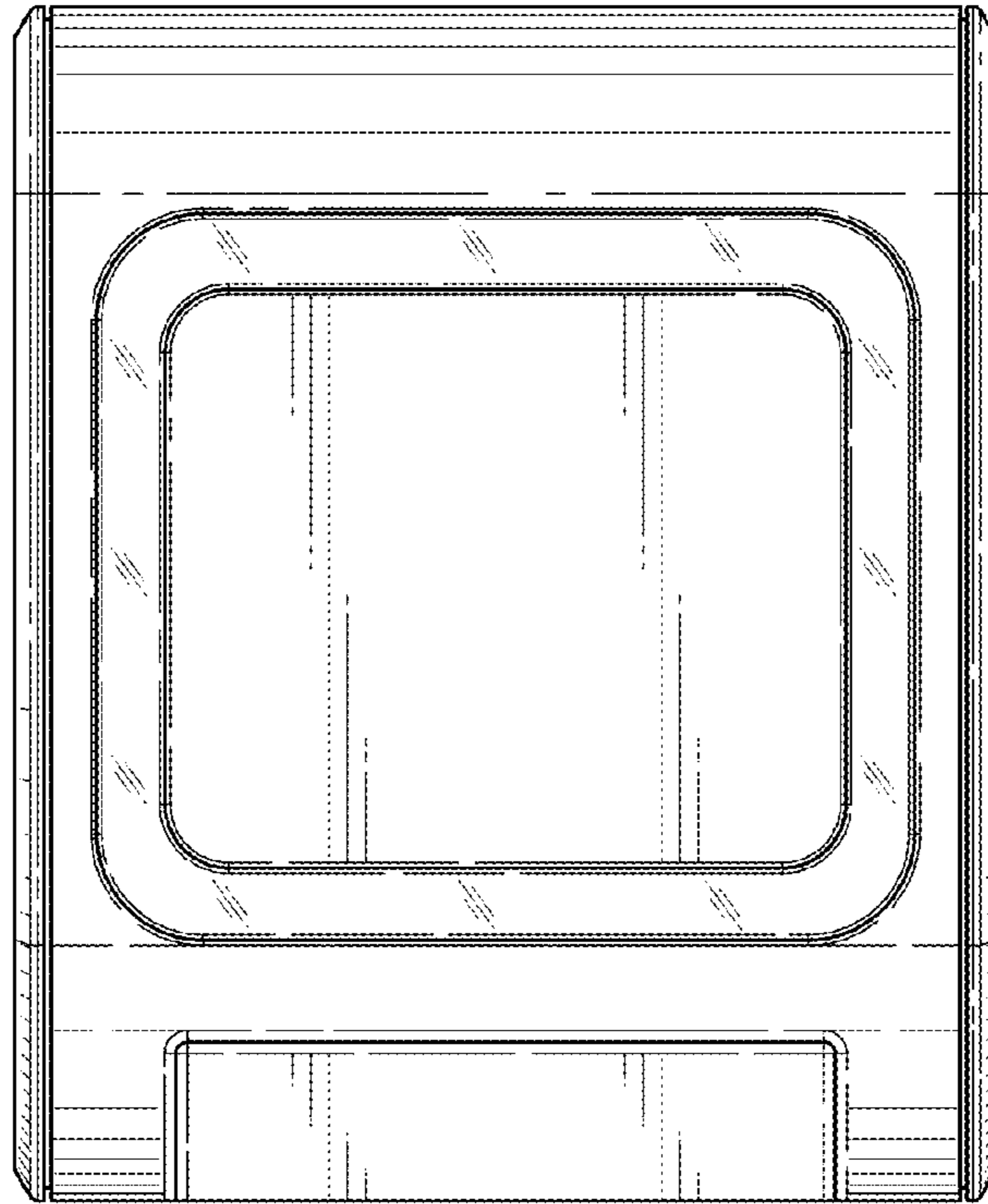


FIG. 2

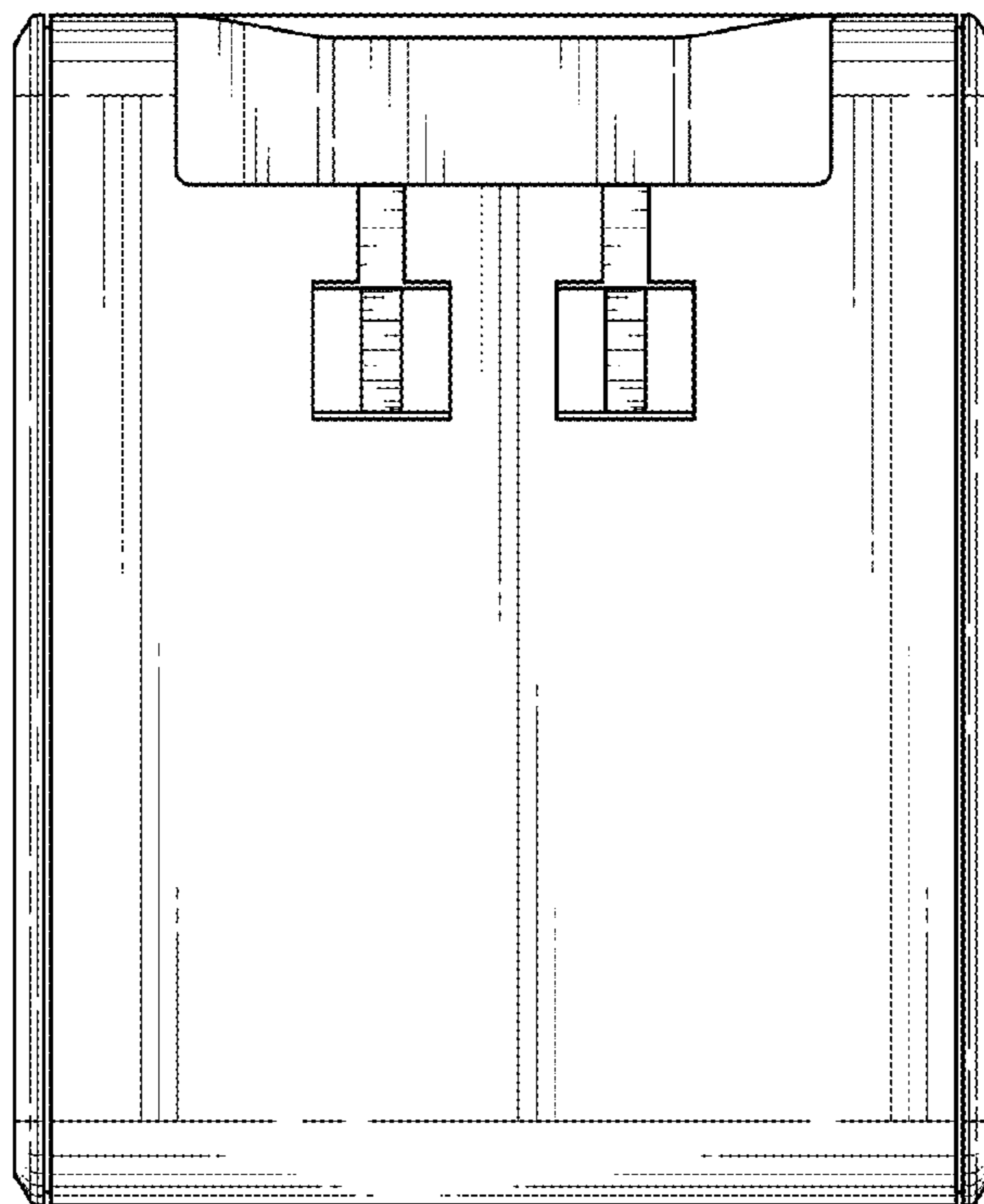


FIG. 3

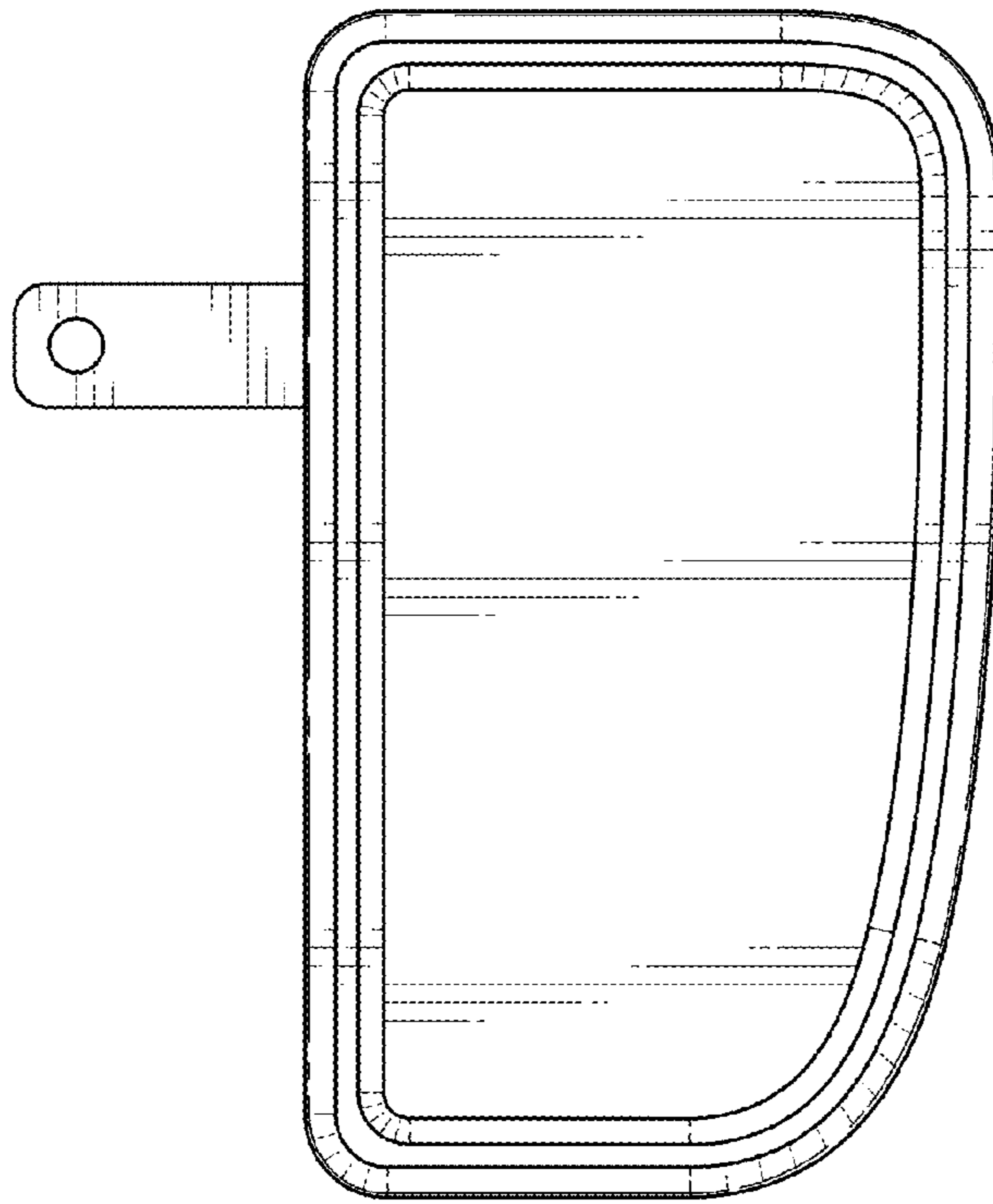


FIG. 4

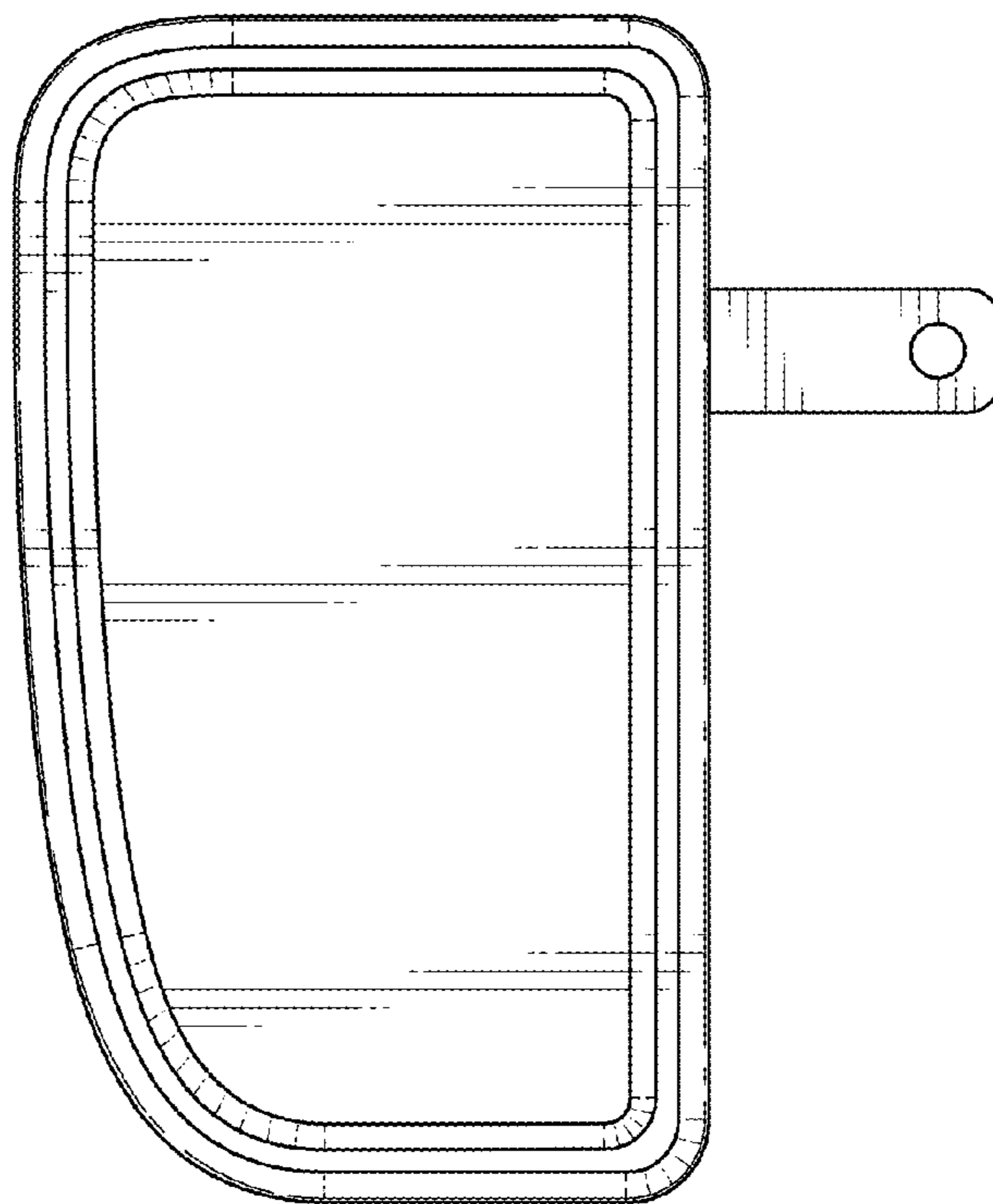


FIG. 5

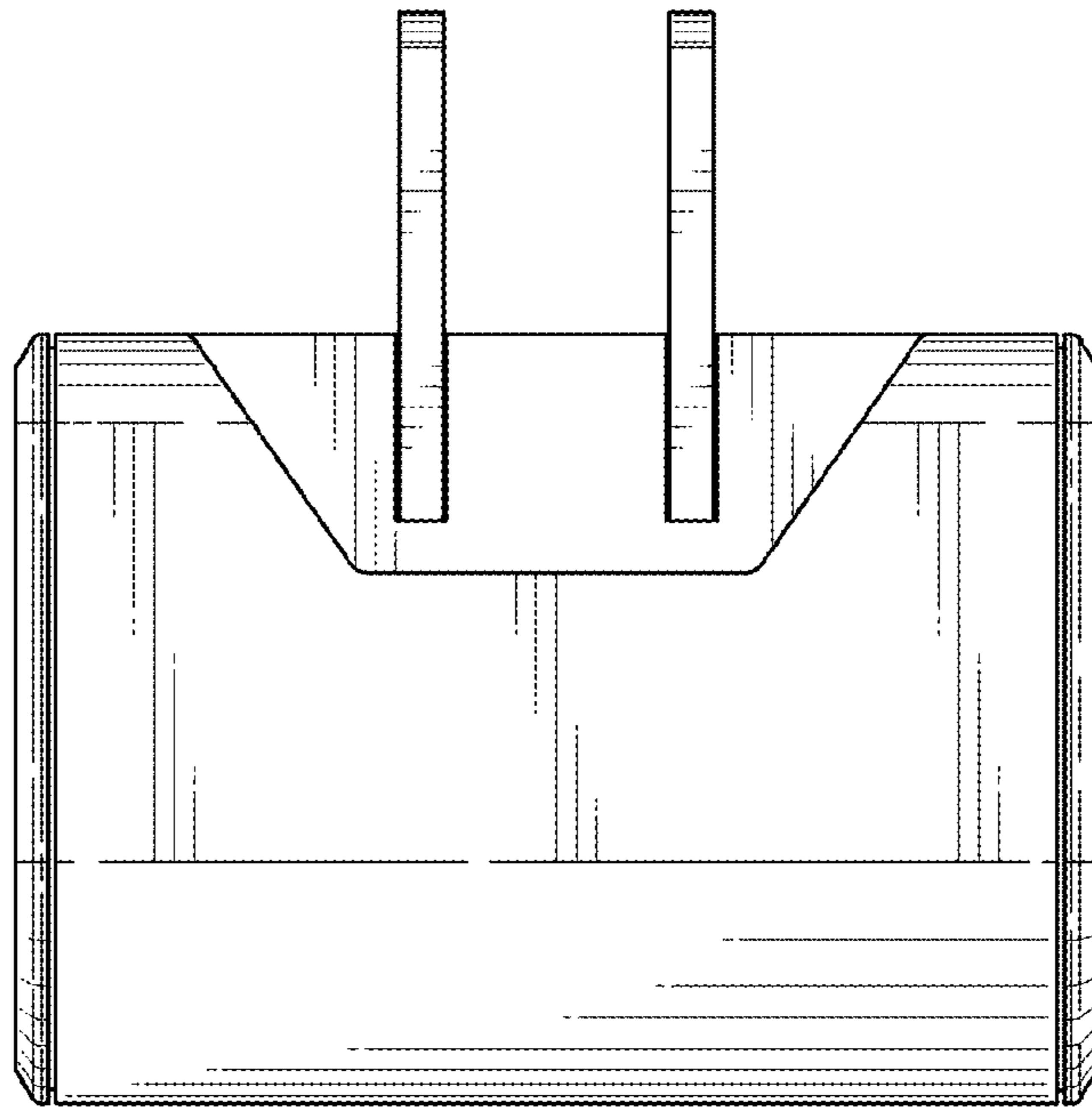


FIG. 6

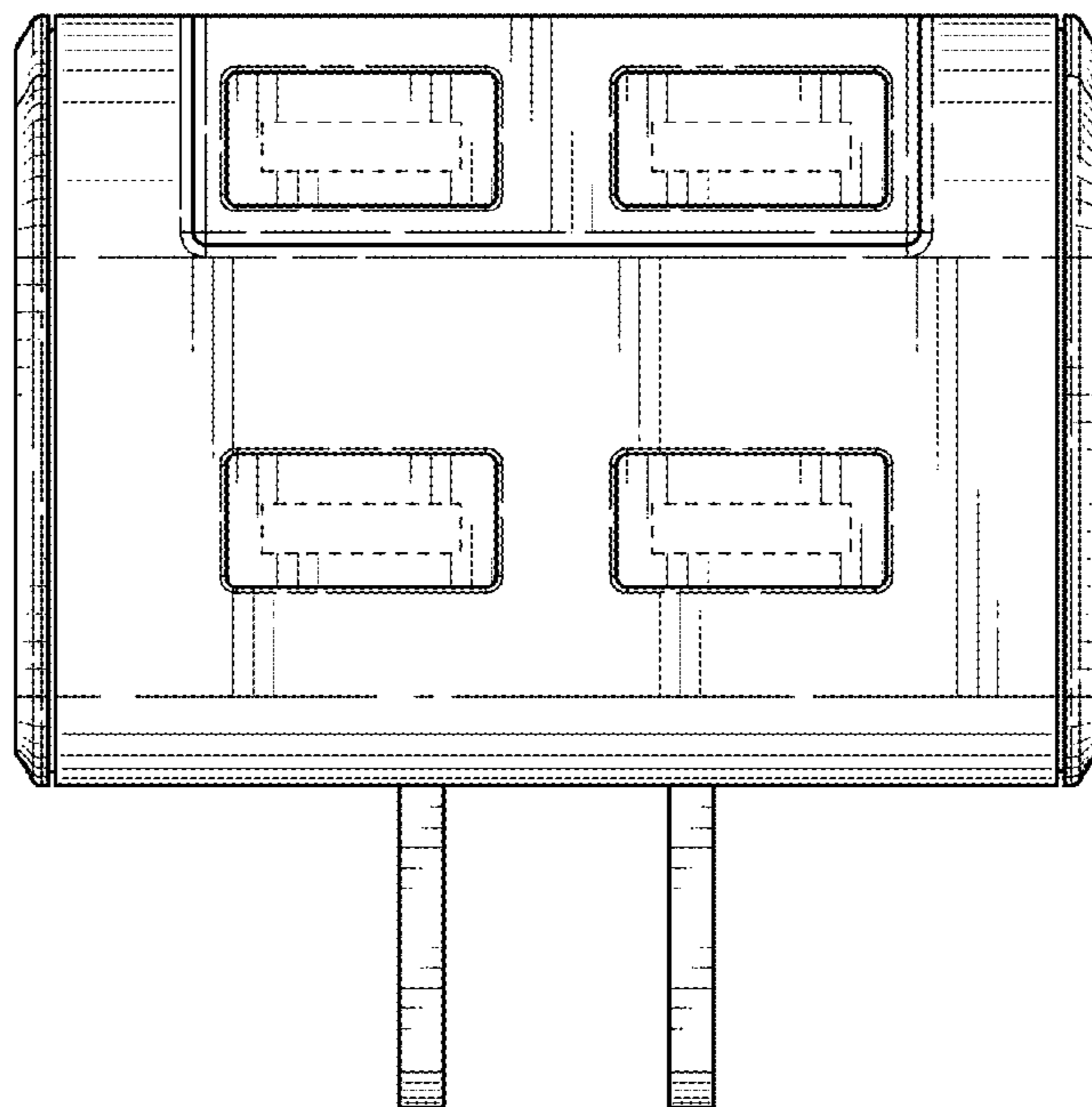


FIG. 7