

US00D762167S

(12) **United States Design Patent**
Inskeep

(10) **Patent No.:** **US D762,167 S**
(45) **Date of Patent:** **** *Jul. 26, 2016**

- (54) **JUMP STARTER**
- (71) Applicant: **Mathew Inskeep**, Highland Beach, FL
(US)
- (72) Inventor: **Mathew Inskeep**, Highland Beach, FL
(US)
- (*) Notice: This patent is subject to a terminal disclaimer.
- (**) Term: **14 Years**
- (21) Appl. No.: **29/510,084**
- (22) Filed: **Nov. 25, 2014**
- (51) **LOC (10) Cl.** **13-02**
- (52) **U.S. Cl.**
USPC **D13/107**
- (58) **Field of Classification Search**
USPC D13/102, 103, 134, 105, 106, 107, 108,
D13/110, 118, 119, 120, 121, 184; 429/96,
429/97, 98, 99, 100, 149, 163, 176, 187;
220/532, 533; 180/68.5
CPC H02J 7/0042
See application file for complete search history.

- D530,665 S * 10/2006 Krieger D13/107
- D530,666 S * 10/2006 Krieger D13/107
- D538,739 S * 3/2007 Zheng D13/107
- D549,644 S * 8/2007 Hulden D13/107
- D593,236 S * 5/2009 Ng D26/37
- D601,495 S * 10/2009 Shum D13/107
- D609,634 S * 2/2010 Daniels D13/107
- D615,490 S * 5/2010 Chien D13/103
- D624,876 S * 10/2010 Daniels D13/107
- D624,877 S * 10/2010 Daniels D13/107
- D634,706 S * 3/2011 Takeno D13/107
- D635,090 S * 3/2011 DuMelle D13/107

(Continued)

OTHER PUBLICATIONS

“Stanley J5C09 1000 Peak Amp Jump Starter with Built in Compressor.” Accessed: Dec. 15, 2015. Stanley. http://www.amazon.com/St Stanley-J5C09-Starter-Built-Compressor/dp/B002X6VXL4/ref=Ip_318336011_1_1?s=automotive&ie=UTF8&qid=1450212044&sr=1-1.*

(Continued)

Primary Examiner — Manpreet Matharu
Assistant Examiner — Suzanne Tisdell

(57) **CLAIM**
I claim the ornamental design for a jump starter, as shown and described.

(56) **References Cited**

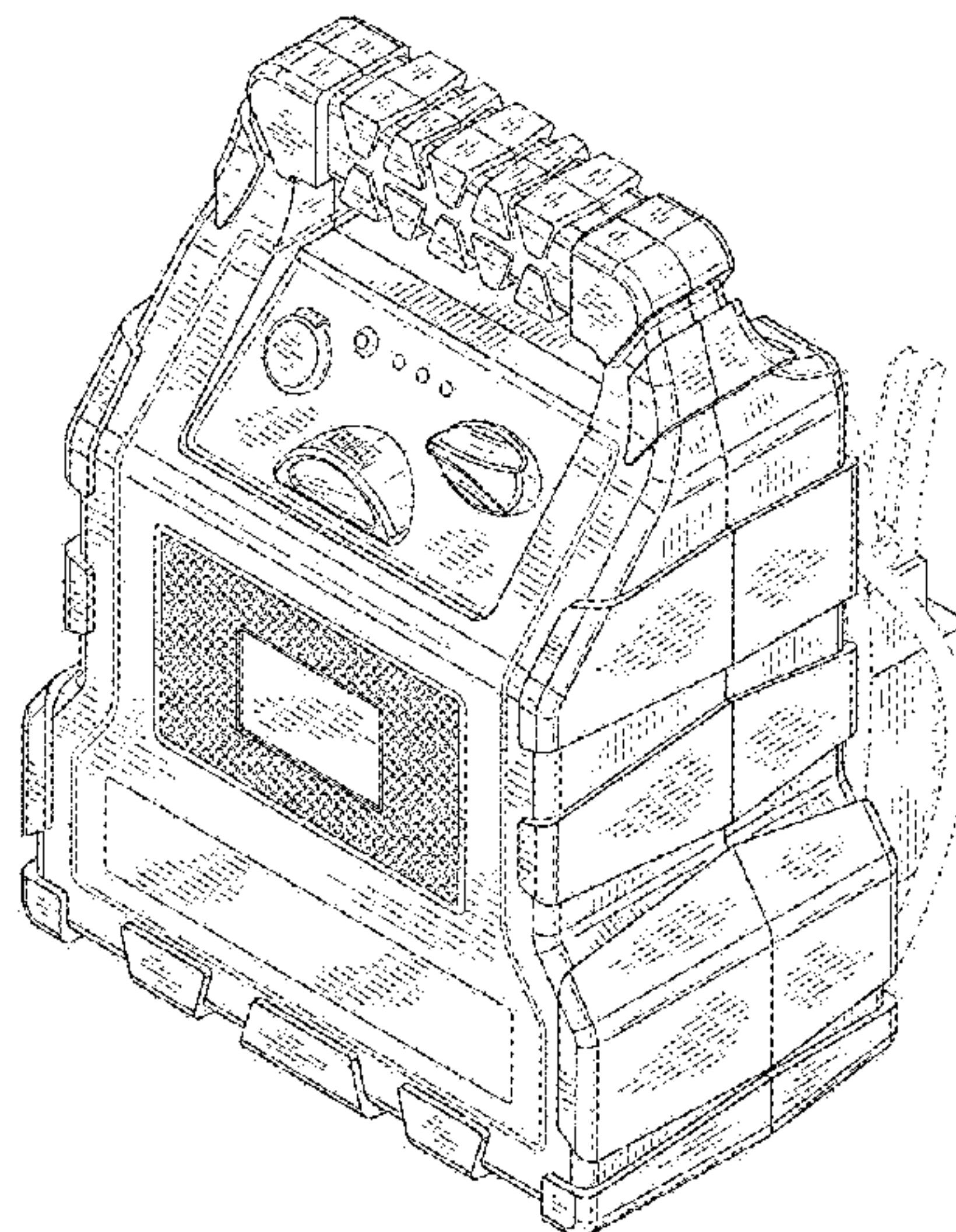
U.S. PATENT DOCUMENTS

- D291,432 S * 8/1987 Yaguchi D13/116
- D354,729 S * 1/1995 Poon D13/106
- D393,446 S * 4/1998 Bellofatto D13/106
- D403,661 S * 1/1999 Mariani D13/106
- D413,859 S * 9/1999 Ido D13/103
- 6,222,342 B1 * 4/2001 Eggert H02J 7/0045
307/66
- D512,685 S * 12/2005 Krieger D13/107
- D514,508 S * 2/2006 Krieger D13/107
- D514,509 S * 2/2006 Krieger D13/107
- D515,028 S * 2/2006 Krieger D13/107
- D517,983 S * 3/2006 Krieger D13/107
- D519,448 S * 4/2006 Leung D13/107
- D523,395 S * 6/2006 Krieger D13/107

DESCRIPTION

FIG. 1 is a top perspective view of the jump starter showing my new design.
FIG. 2 is a bottom perspective view thereof.
FIG. 3 is a top view thereof.
FIG. 4 is a bottom view thereof.
FIG. 5 is a left side view thereof.
FIG. 6 is a right side view thereof.
FIG. 7 is a front view thereof; and,
FIG. 8 is a back view thereof.
The broken lines in the drawings depict portions of the jump starter that form no part of the claimed design.

1 Claim, 8 Drawing Sheets



(56)

References Cited

U.S. PATENT DOCUMENTS

D635,510 S * 4/2011 Inskip D13/107
 D640,401 S * 6/2011 Wu D26/50
 D662,051 S * 6/2012 Saunders D13/110
 D662,053 S * 6/2012 Inskip D13/110
 D686,157 S * 7/2013 Kawase D13/119
 D693,295 S * 11/2013 Inskip D13/107
 D693,766 S * 11/2013 Hirotomi D13/110
 D699,672 S * 2/2014 Kosugi D13/103
 D712,348 S * 9/2014 Zhang D13/103
 D722,954 S * 2/2015 James D13/107
 D725,031 S * 3/2015 Tinius D13/103
 D725,038 S * 3/2015 Nemoto D13/119
 D727,847 S * 4/2015 Jaskowiak D13/116
 D729,728 S * 5/2015 Inskip D13/107
 D734,258 S * 7/2015 Yin D13/107
 D735,701 S * 8/2015 Maxam D14/240

D736,198 S * 8/2015 Merbeth D14/300
 D741,795 S * 10/2015 Conrad D13/108
 D742,308 S * 11/2015 James D13/107
 D742,821 S * 11/2015 James D13/107
 2015/0091392 A1* 4/2015 Hwang H02J 7/0045
 307/150

OTHER PUBLICATIONS

“Husky Jump Starter: Why it stands out in the market.” Posted: Feb. 2, 2015. Best jump starter. <http://jumpstarterhq.com/husky-jump-starter-why-it-stand-out-in-the-market/>.
 “Guide Gear 5-in-1 Jump Starter with Power inverter and air compressor.” Accessed: Dec. 15, 2015. Sportsman’s guide. <http://www.sportsmansguide.com/product/index/guide-gear-5-in-1-jump-starter-with-power-inverter-amp-air-compressor?a=873637>.
 “Husky Elite Jump Starter.” Posted Jan. 15, 2007. RC Groups. <http://www.rcgroups.com/forums/showthread.php?t=627205>.

* cited by examiner

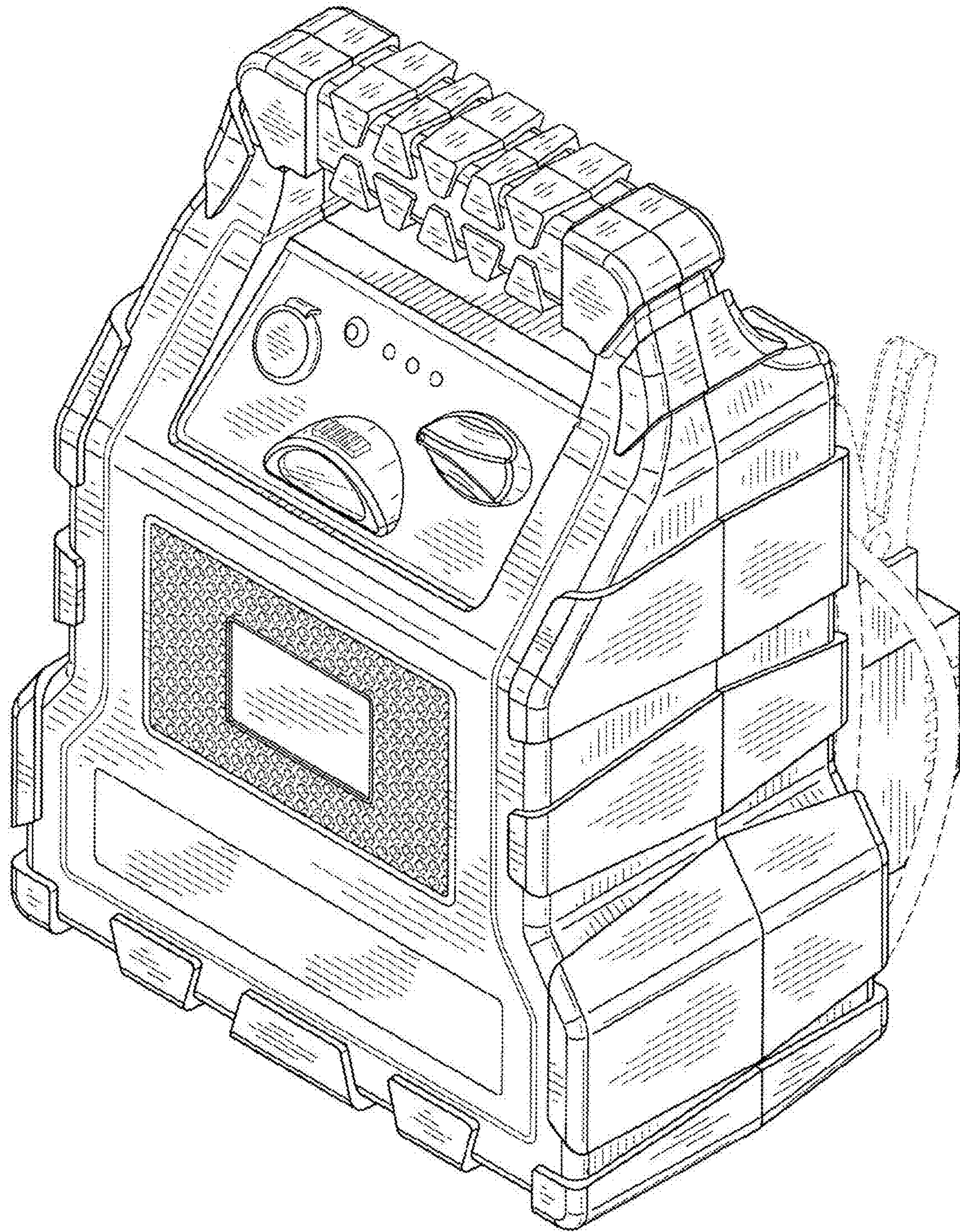


FIG. 1

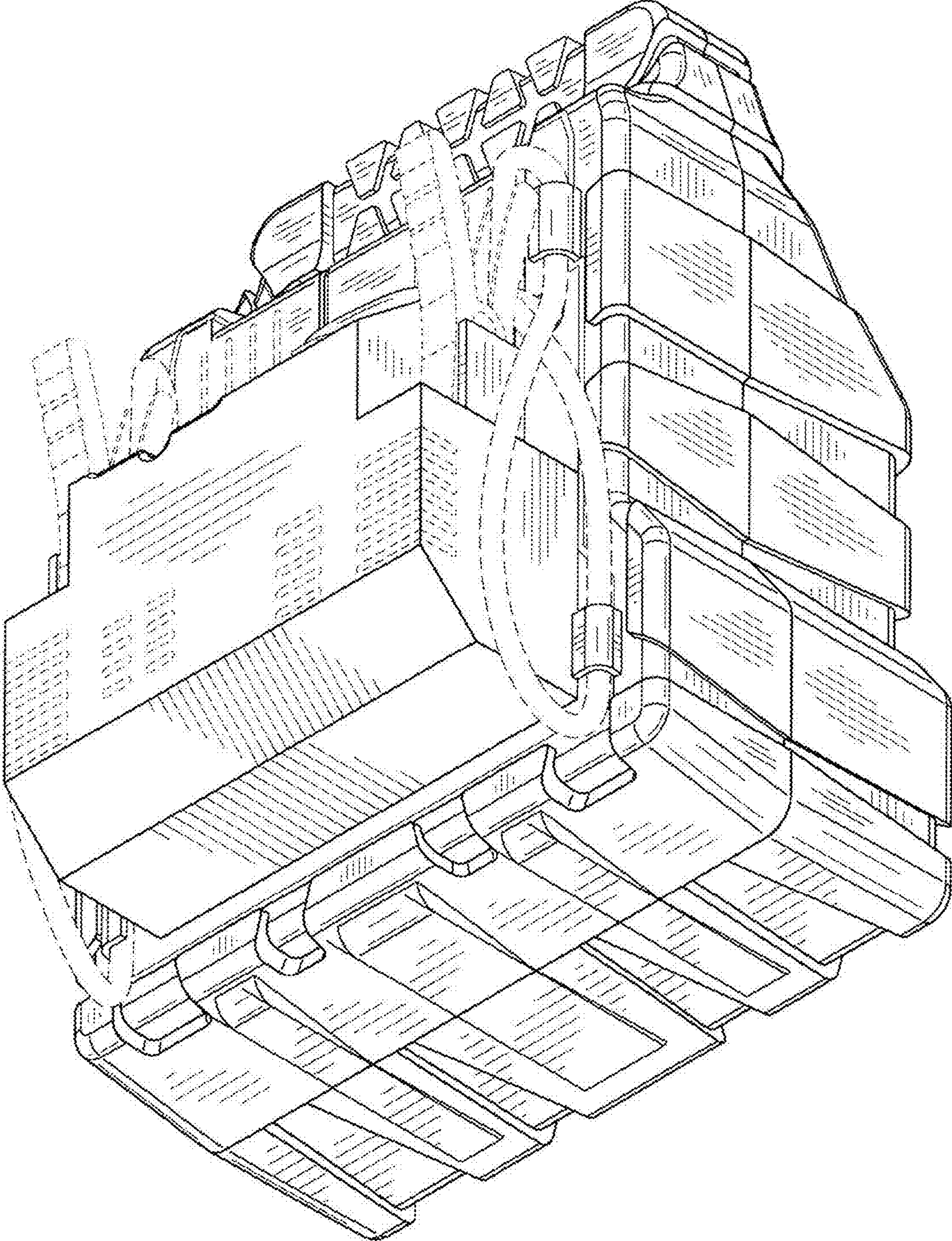


FIG. 2

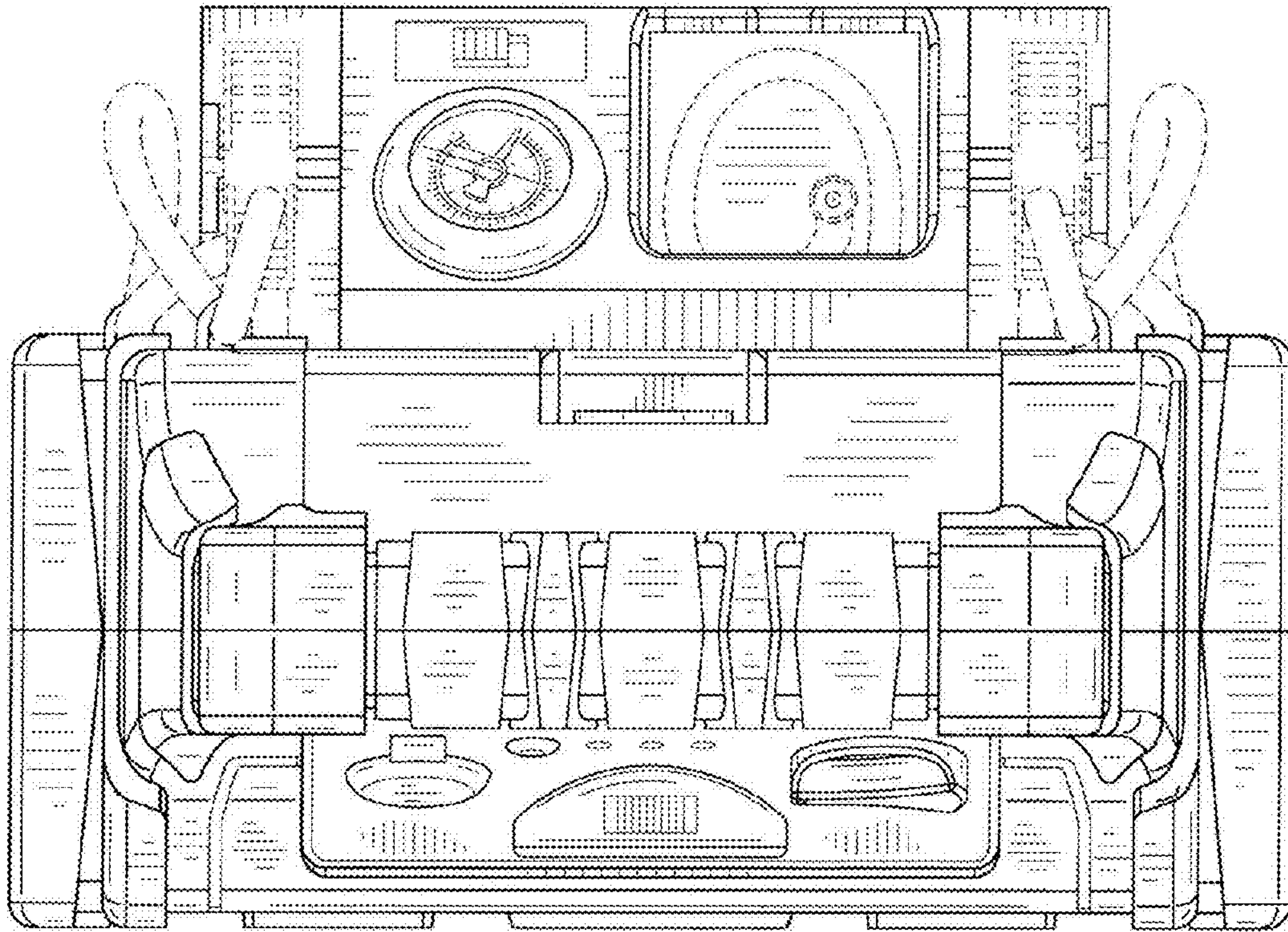


FIG. 3

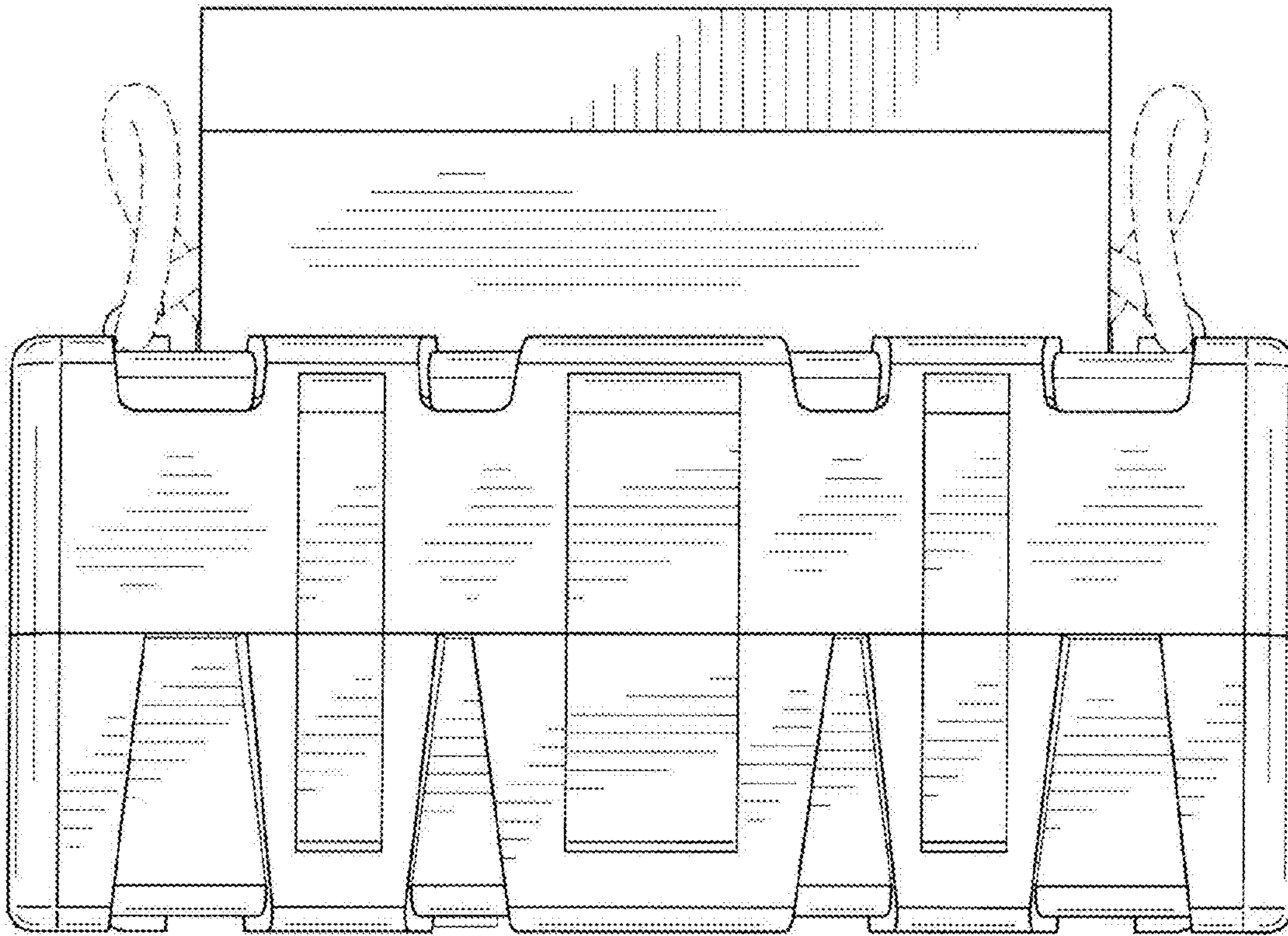


FIG. 4

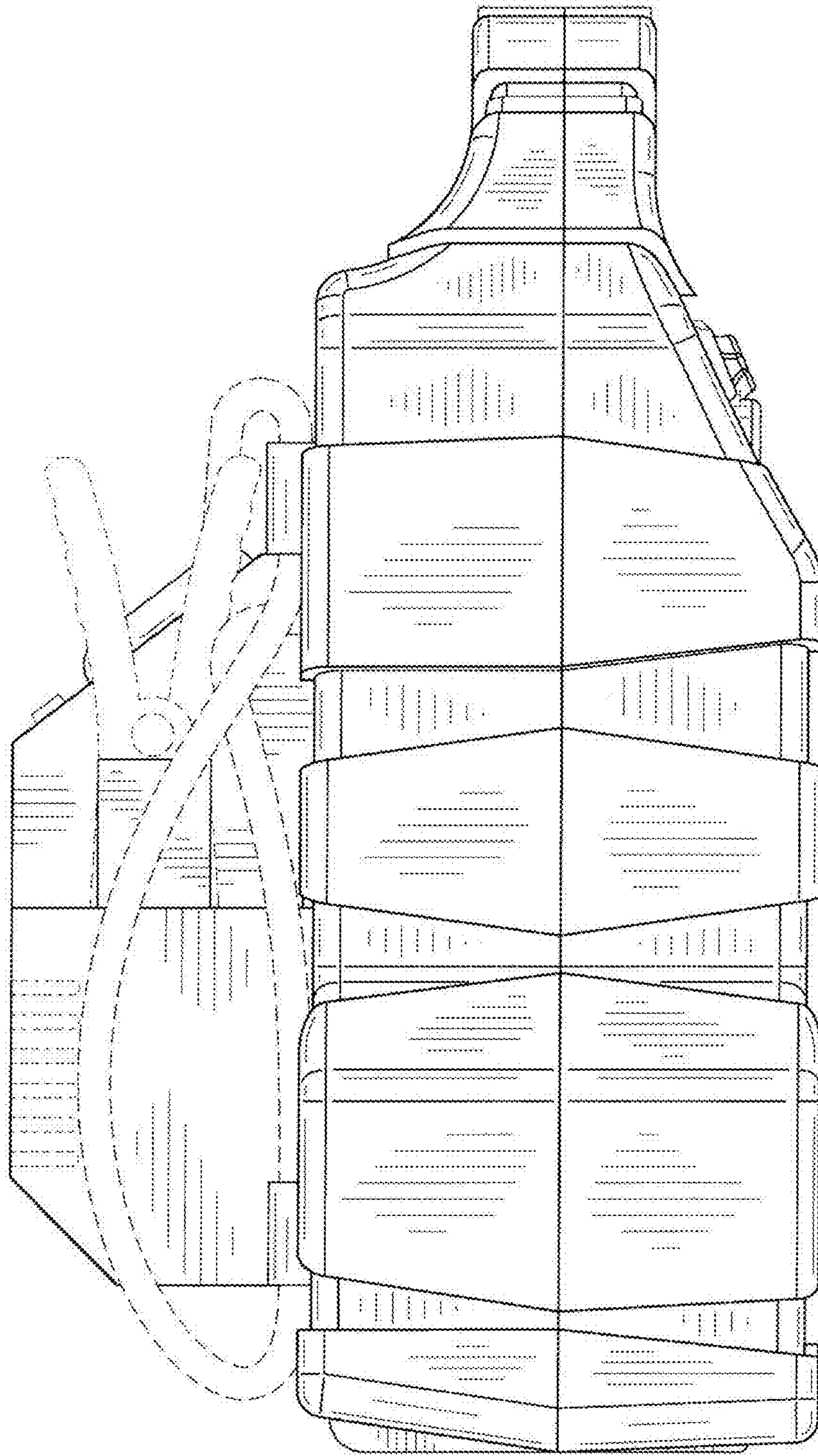


FIG. 5

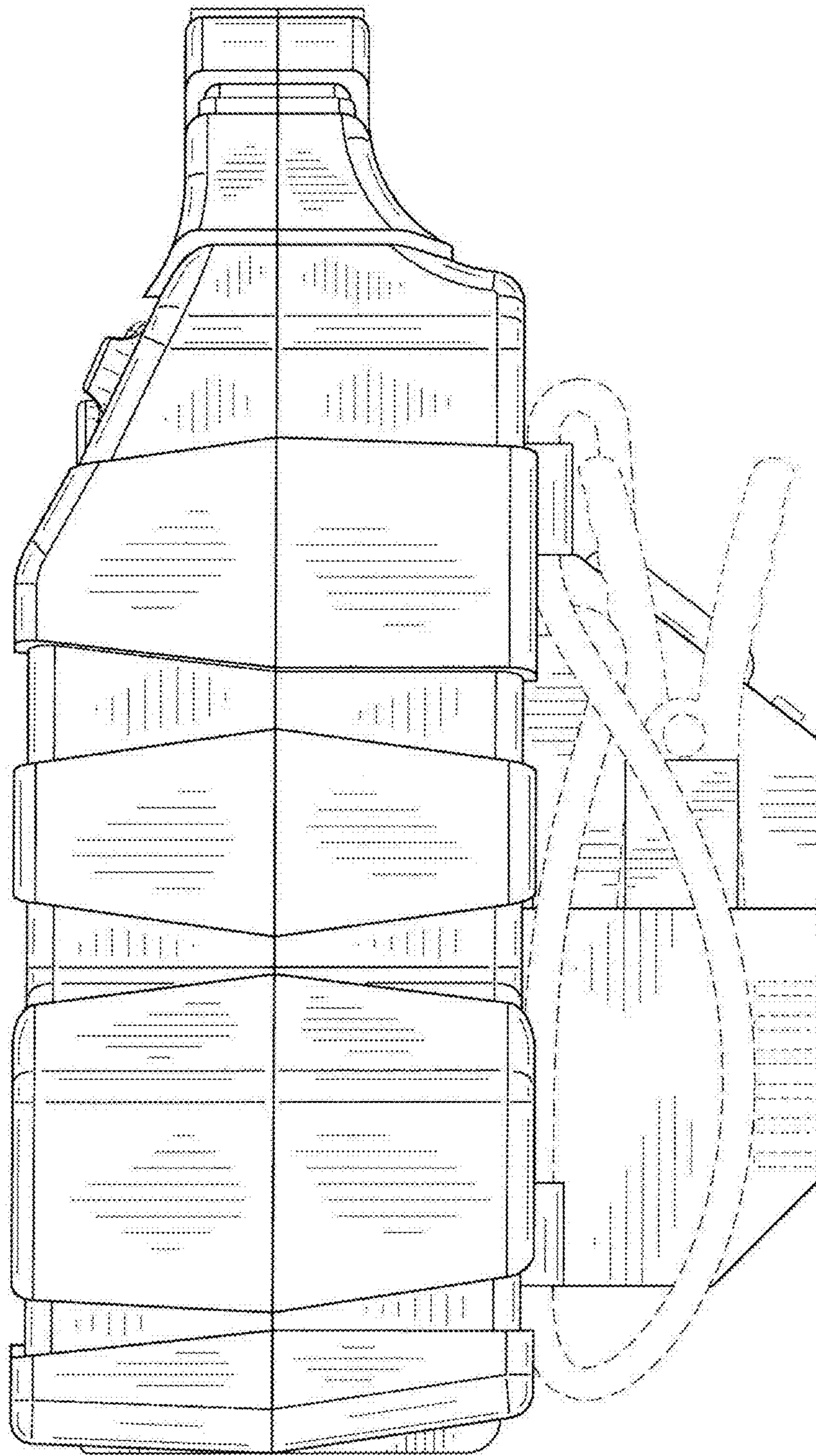


FIG. 6

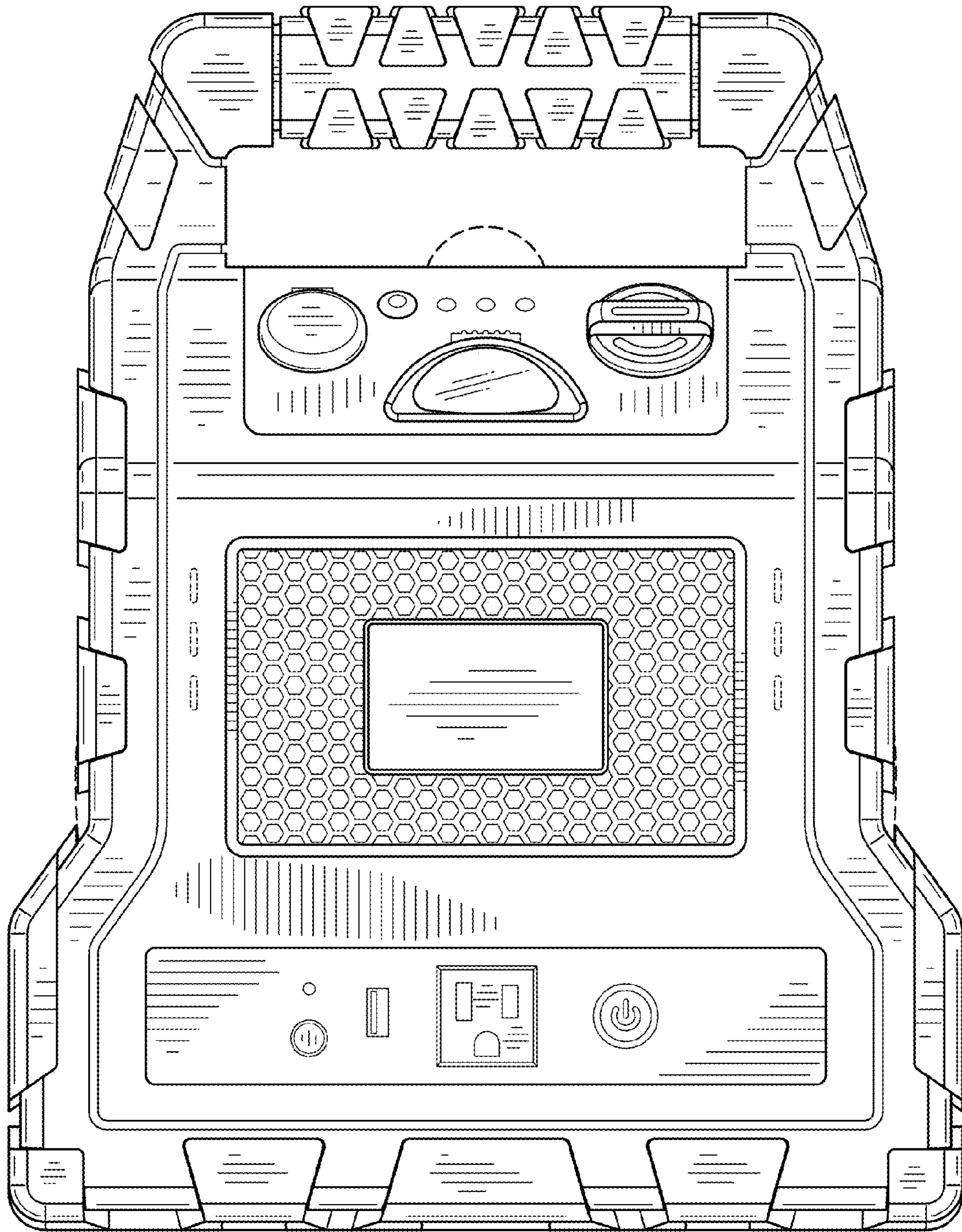


FIG. 7

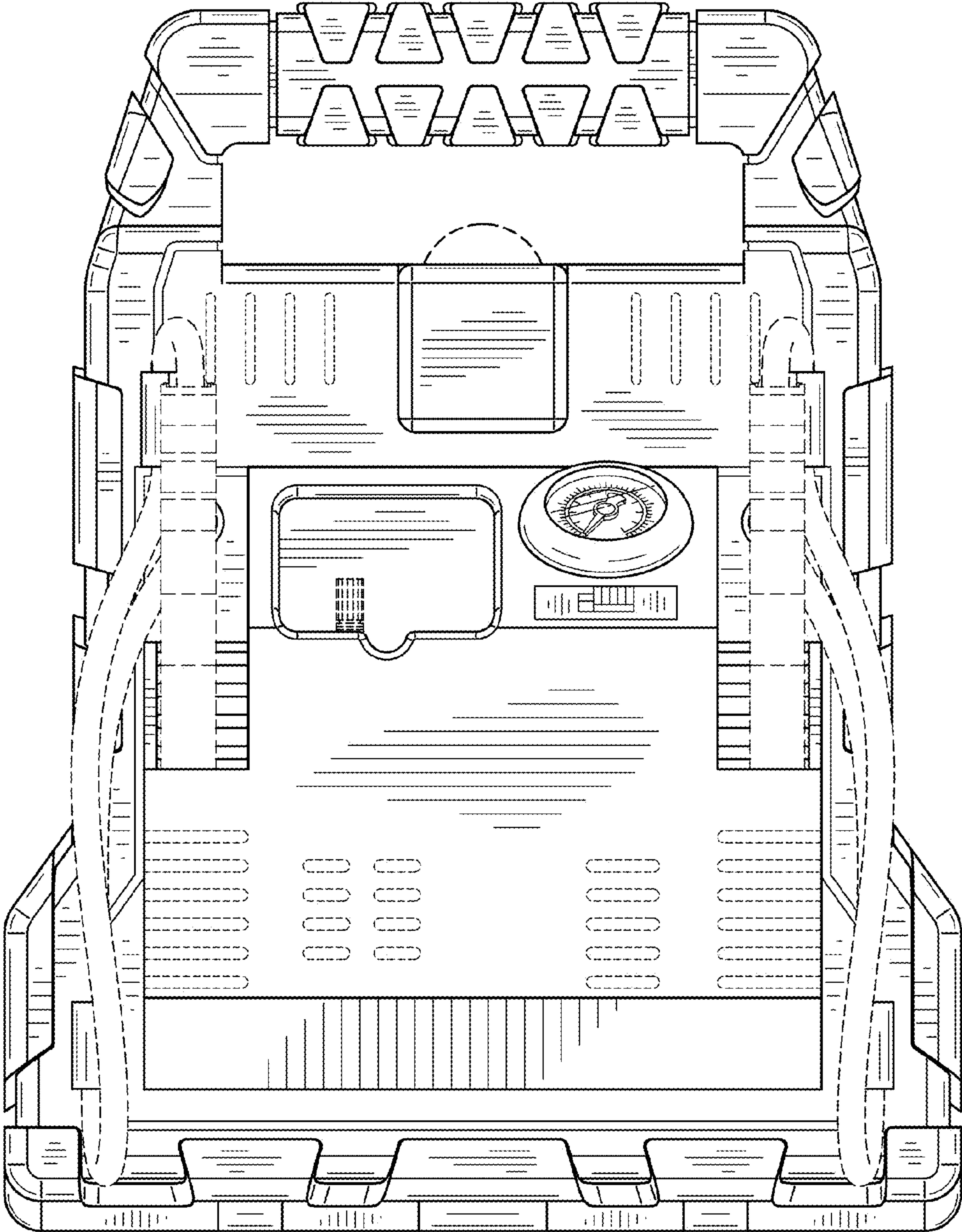


FIG. 8