



US00D762165S

(12) **United States Design Patent**
Rowe et al.

(10) **Patent No.:** **US D762,165 S**
(45) **Date of Patent:** **** Jul. 26, 2016**

(54) **BATTERY PACK**

(71) Applicant: **Techtronic Industries Co. Ltd.**, Tsuen Wan (HK)
(72) Inventors: **Tyler Rowe**, Anderson, SC (US); **Stuart Miller**, Anderson, SC (US); **J. Luke Jenkins**, Anderson, SC (US); **Matthew Corbin**, Anderson, SC (US); **Nicholas Norton**, Lexington, SC (US); **Sean Campbell**, Anderson, SC (US); **Daniel J. Bowen**, Aiken, SC (US); **C. Keith Long**, Seneca, SC (US)

(73) Assignee: **TECHTRONIC INDUSTRIES CO. LTD.**, Tsuen Wan, New Territories (HK)

(**) Term: **14 Years**

(21) Appl. No.: **29/504,025**

(22) Filed: **Oct. 1, 2014**

(51) **LOC (10) Cl.** **13-02**

(52) **U.S. Cl.**
USPC **D13/103**

(58) **Field of Classification Search**
USPC D13/102, 103, 104, 105, 106, 110, 118, D13/119, 123, 184, 199; 307/82, 109, 150, 307/151; 361/600, 601, 623; 429/96, 97, 429/98, 99, 100, 163, 170, 176; 320/104, 320/107, 111, 112, 113, 115, 132, 134, 150
CPC Y02E 60/12; Y02T 90/14; Y02T 90/122; Y02T 90/128; Y02T 90/163; H02J 7/0042; H02J 7/0044; H02J 7/0045; H02J 7/0054; H02J 7/1423; H02J 7/0003

See application file for complete search history.

(56) **References Cited**

U.S. PATENT DOCUMENTS

D393,446 S * 4/1998 Bellofatto et al. D13/106
D412,153 S * 7/1999 Chen D13/103
6,007,937 A * 12/1999 Ruiz Rodriguez et al. 429/94
D455,711 S * 4/2002 Fuhr et al. D13/103
D495,994 S * 9/2004 Arakelian D13/119
D517,987 S * 3/2006 Castagnola et al. D13/119

(Continued)

OTHER PUBLICATIONS

“LiNX Lithium Ion Battery.” Accessed: Dec. 14, 2015. Hoover. <http://hoover.com/products/details/bh50000/linx-lithium-ion-battery/>.*

(Continued)

Primary Examiner — Manpreet Matharu

Assistant Examiner — Suzanne Tisdell

(74) *Attorney, Agent, or Firm* — Michael Best & Friedrich LLP

(57) **CLAIM**

The ornamental design for a battery pack, as shown and described.

DESCRIPTION

FIG. 1 is a front perspective view of a first construction of a battery pack.

FIG. 2 is a front view of the battery pack of FIG. 1.

FIG. 3 is a rear view of the battery pack of FIG. 1.

FIG. 4 is a left side view of the battery pack of FIG. 1.

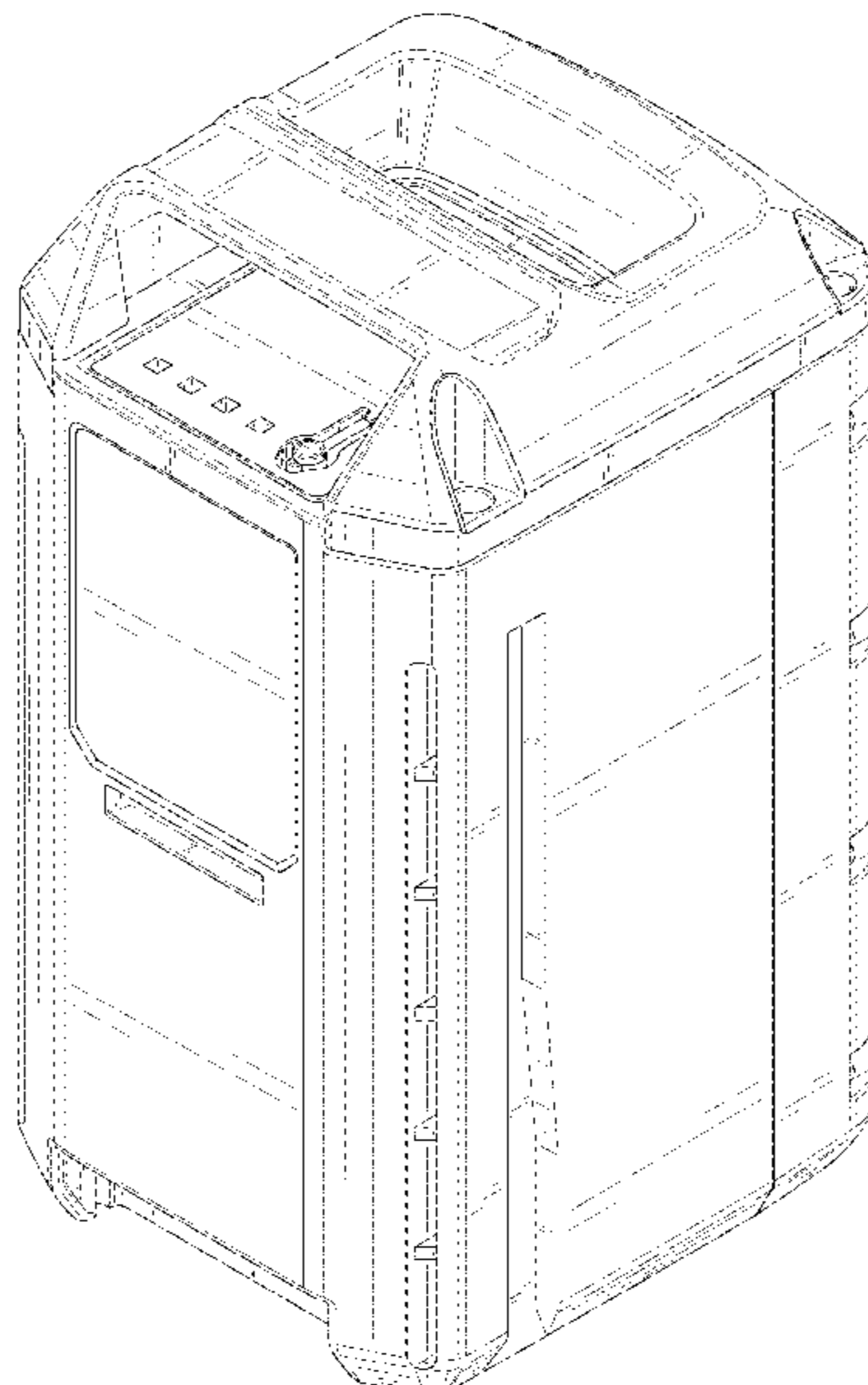
FIG. 5 is a right side view of the battery pack of FIG. 1.

FIG. 6 is a top view of the battery pack of FIG. 1; and,

FIG. 7 is a bottom view of the battery pack of FIG. 1.

The ornamental design which is claimed is shown in solid lines in the drawings. The portions of the design shown in broken lines are included for the purpose of illustrating environment and form no part of the claimed design.

1 Claim, 7 Drawing Sheets



(56)

References Cited

U.S. PATENT DOCUMENTS

D545,819 S * 7/2007 Chang D14/369
D585,019 S * 1/2009 Moser et al. D13/103
D603,792 S * 11/2009 Ferro D13/110
D616,377 S * 5/2010 Bussen et al. D13/162.1
D660,790 S * 5/2012 Elison et al. D13/106
D662,053 S * 6/2012 Inskeep D13/110
D668,604 S * 10/2012 Elison et al. D13/106
D675,562 S * 2/2013 Qualls et al. D13/106
D695,680 S * 12/2013 Workman et al. D13/103
D699,180 S * 2/2014 Sweere et al. D13/103
D706,217 S * 6/2014 McKune et al. D13/110
D712,348 S * 9/2014 Zhang D13/103

D712,826 S * 9/2014 Marino et al. D13/103
D718,705 S * 12/2014 Naksen D13/103
D719,105 S * 12/2014 Shin D13/159

OTHER PUBLICATIONS

“Hoover Compact Lithium Life Battery.” Accessed Dec. 14, 2015. Hoover. <http://hoover.com/parts/details/bh03100pc/hoover-compact-lithiumlife-battery/>.
Rabu. “Vacuum battery ontel swivel sweeper.” Posted Nov. 30, 2011. Best Seller Trends. <http://bestsellertrends.blogspot.com/2011/11/vacuum-battery-ontel-swivel-sweeper.html>.
“Sead Lead acid battery,: China SLA Batteries Exporter and Supplier.” Accessed: Dec. 14, 2015. Solat Motorcycle Parts. <http://www.solat.cn/Electric-Appliance/Sead-Lead-Acid-Battery.html>.

* cited by examiner

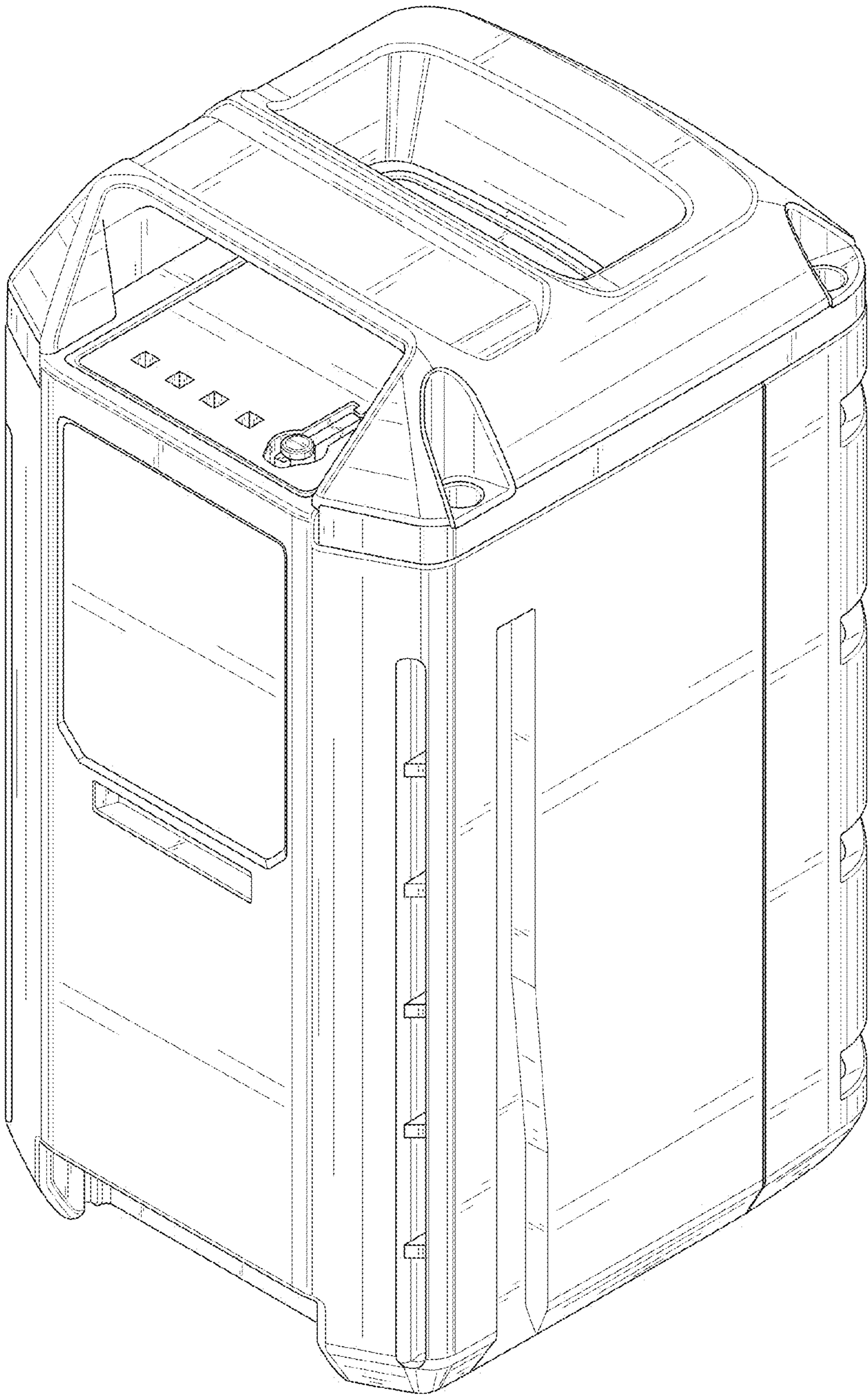


FIG. 1

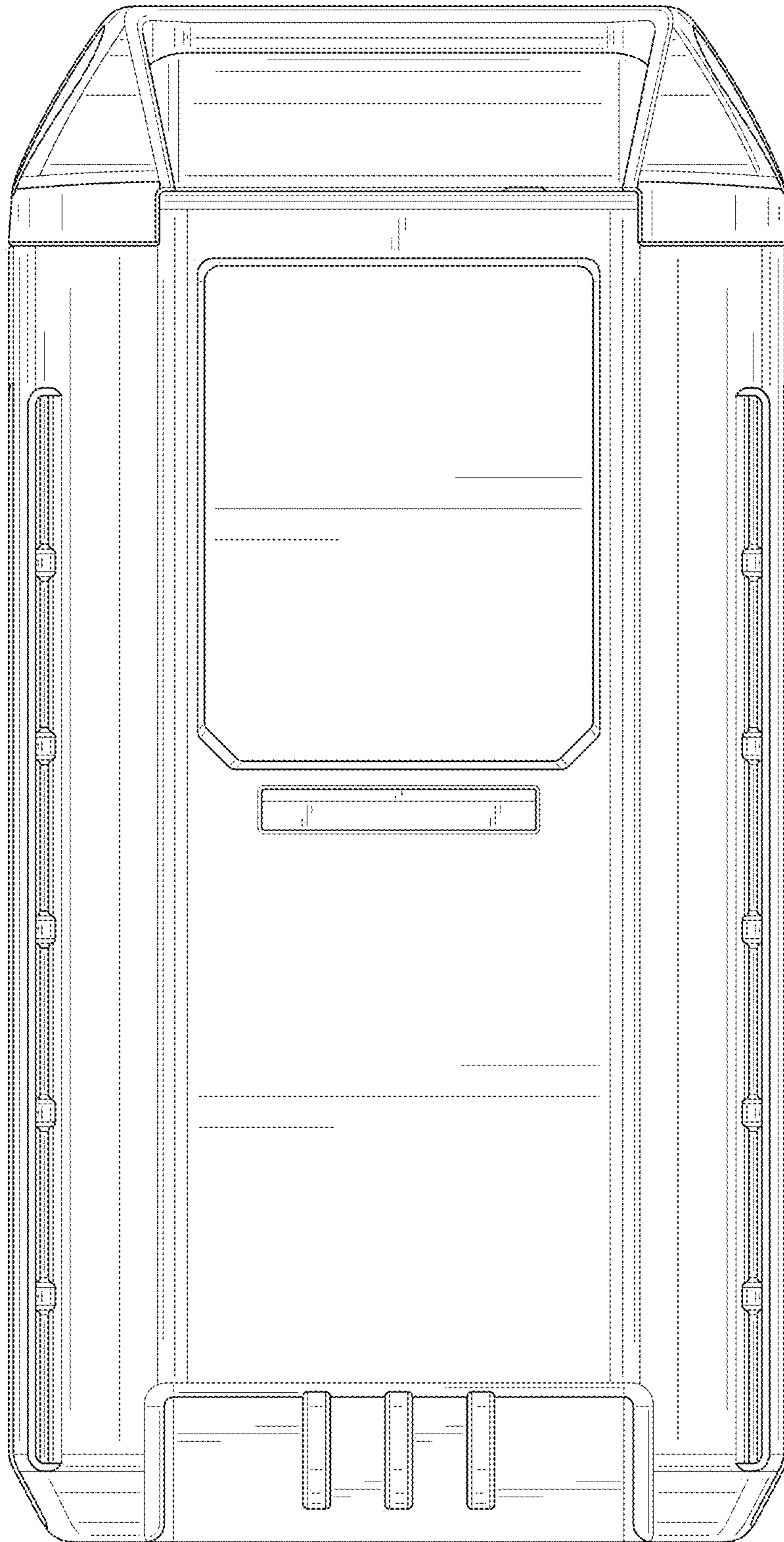


FIG. 2

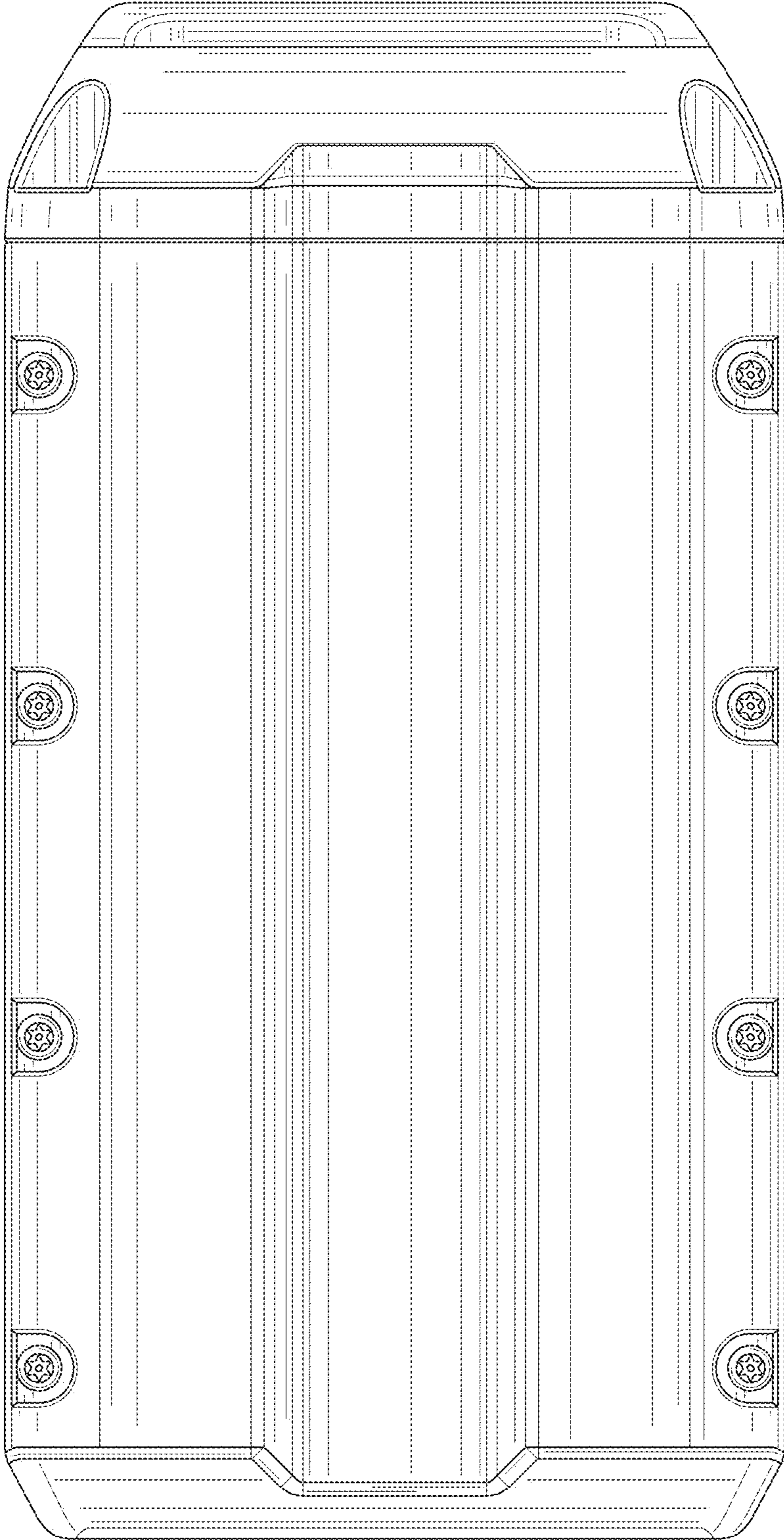


FIG. 3

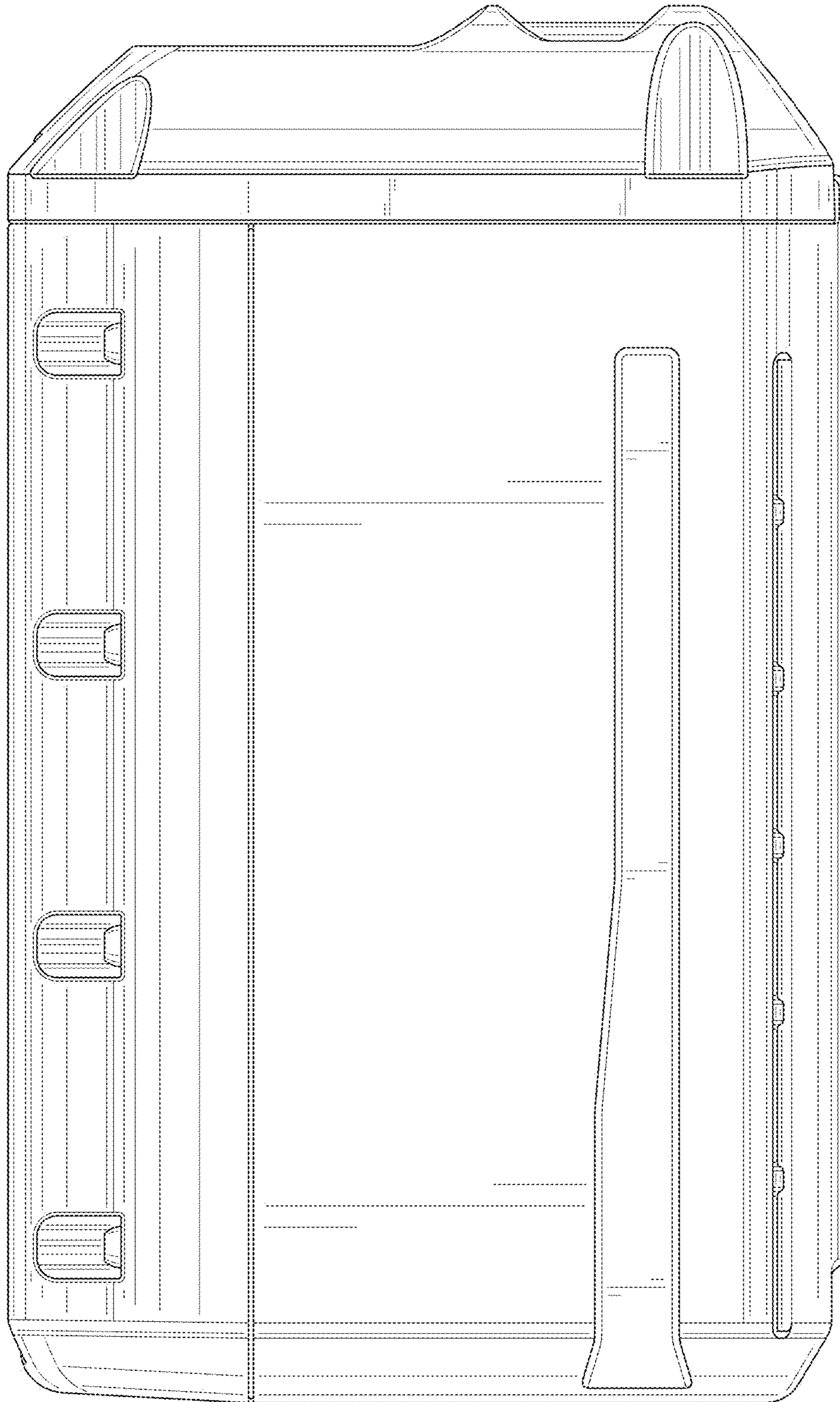


FIG. 4

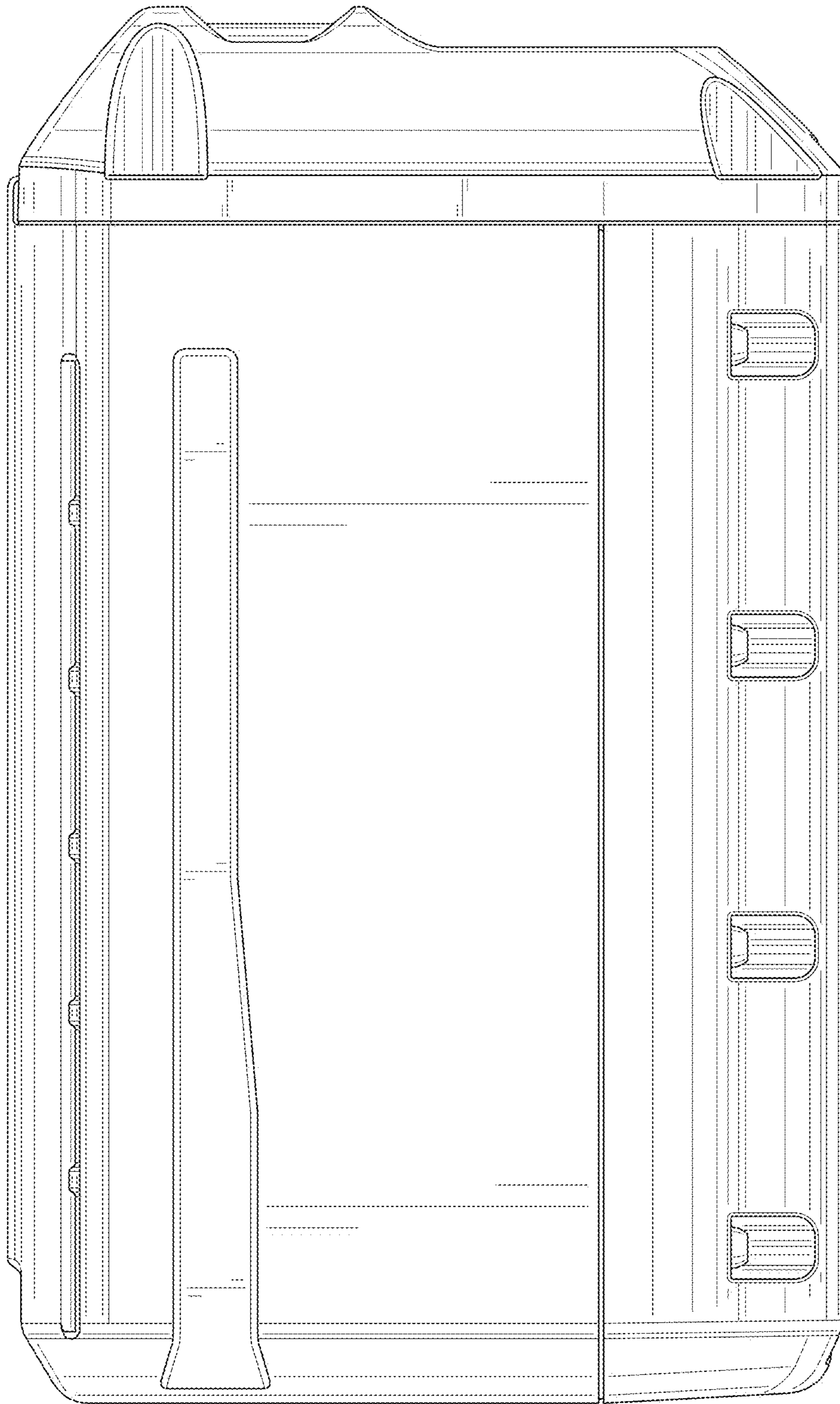


FIG. 5

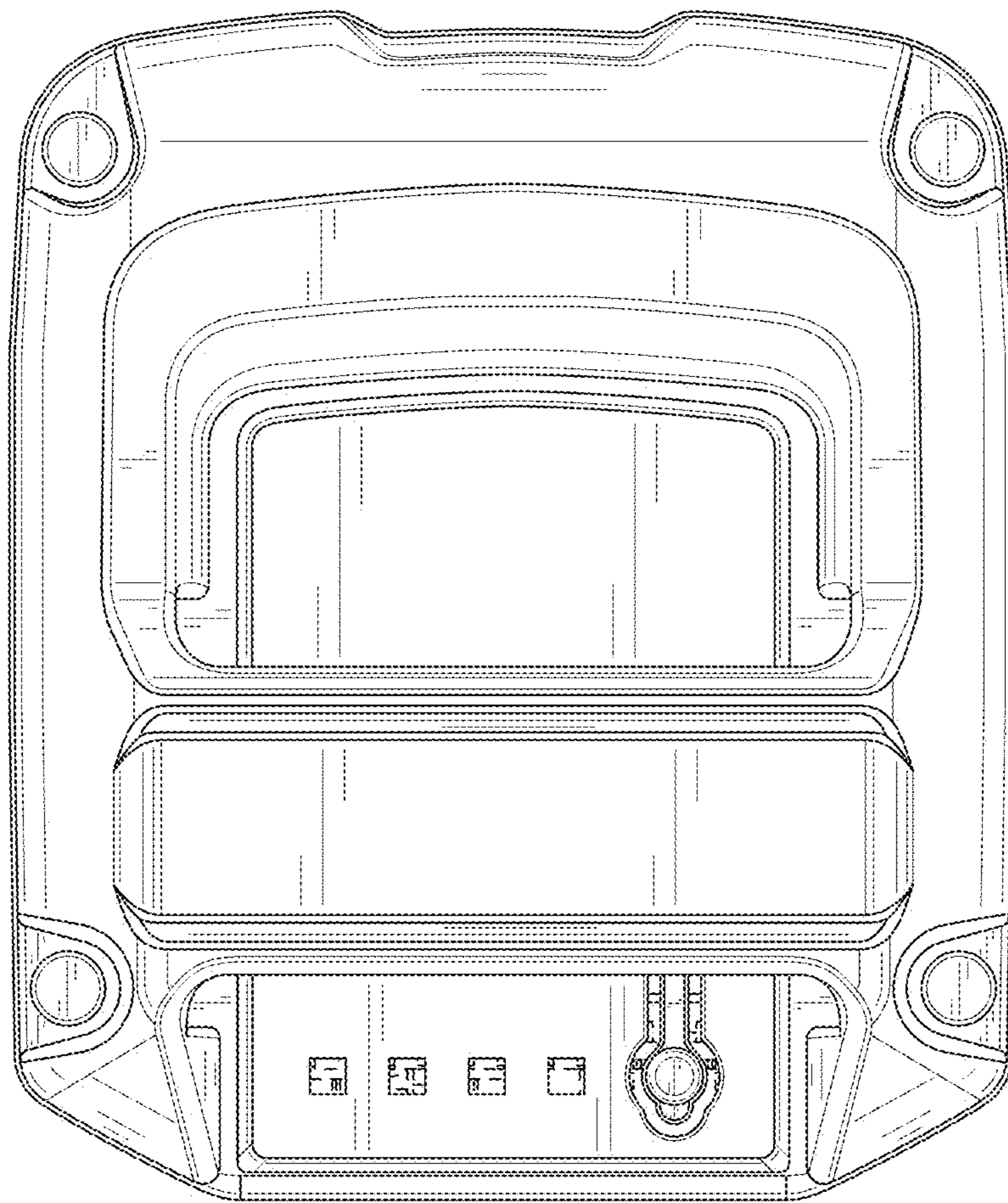


FIG. 6

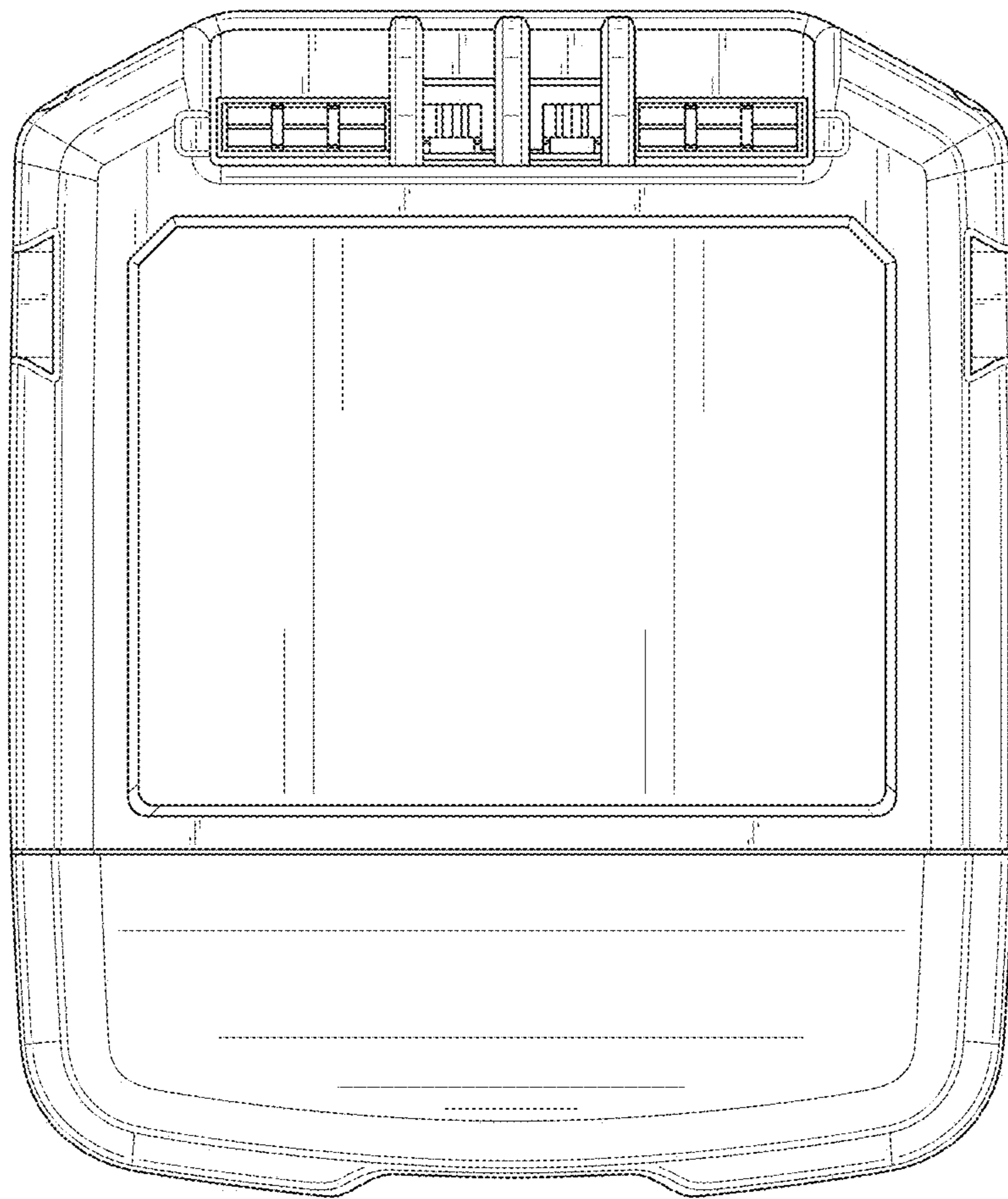


FIG. 7