

US00D762163S

(12) **United States Design Patent**
Parilla et al.

(10) **Patent No.:** **US D762,163 S**
(45) **Date of Patent:** **** Jul. 26, 2016**

- (54) **SOLAR CELL**
- (71) Applicant: **SOLARIA CORPORATION**, Fremont, CA (US)
- (72) Inventors: **Aureo Parilla**, Fremont, CA (US);
Abhay Maheshwari, Monte Sereno, CA (US); **Kevin R. Gibson**, Redwood City, CA (US)
- (73) Assignee: **SOLARIA CORPORATION**, Fremont, CA (US)
- (**) Term: **14 Years**
- (21) Appl. No.: **29/509,395**
- (22) Filed: **Nov. 17, 2014**
- (51) **LOC (10) Cl.** **13-02**
- (52) **U.S. Cl.**
USPC **D13/102**
- (58) **Field of Classification Search**
USPC 126/580, 581, 611, 621, 622, 623;
136/200, 243, 244, 245, 251, 256, 291;
438/66, 72, 80; D13/101, 102, 107,
D13/184, 199
CPC Y02E 10/50; Y02E 10/544; H02S 30/20;
H01L 31/042
See application file for complete search history.

- D558,139 S 12/2007 Sharma et al.
- D559,174 S 1/2008 Sharma et al.
- D568,238 S 5/2008 Sharma et al.
- D588,534 S 3/2009 Sharma et al.
- D591,229 S 4/2009 Sharma et al.
- D616,359 S * 5/2010 Adriani D13/102
- D618,166 S * 6/2010 Sanoner D13/102
- D631,005 S * 1/2011 Young et al. D13/102
- D631,824 S * 2/2011 Tanaka et al. D13/102
- D644,986 S * 9/2011 Ross et al. D13/102

(Continued)

Primary Examiner — Derrick Holland
Assistant Examiner — Jennifer O King
(74) *Attorney, Agent, or Firm* — Richard T. Ogawa; Ogawa P.C.

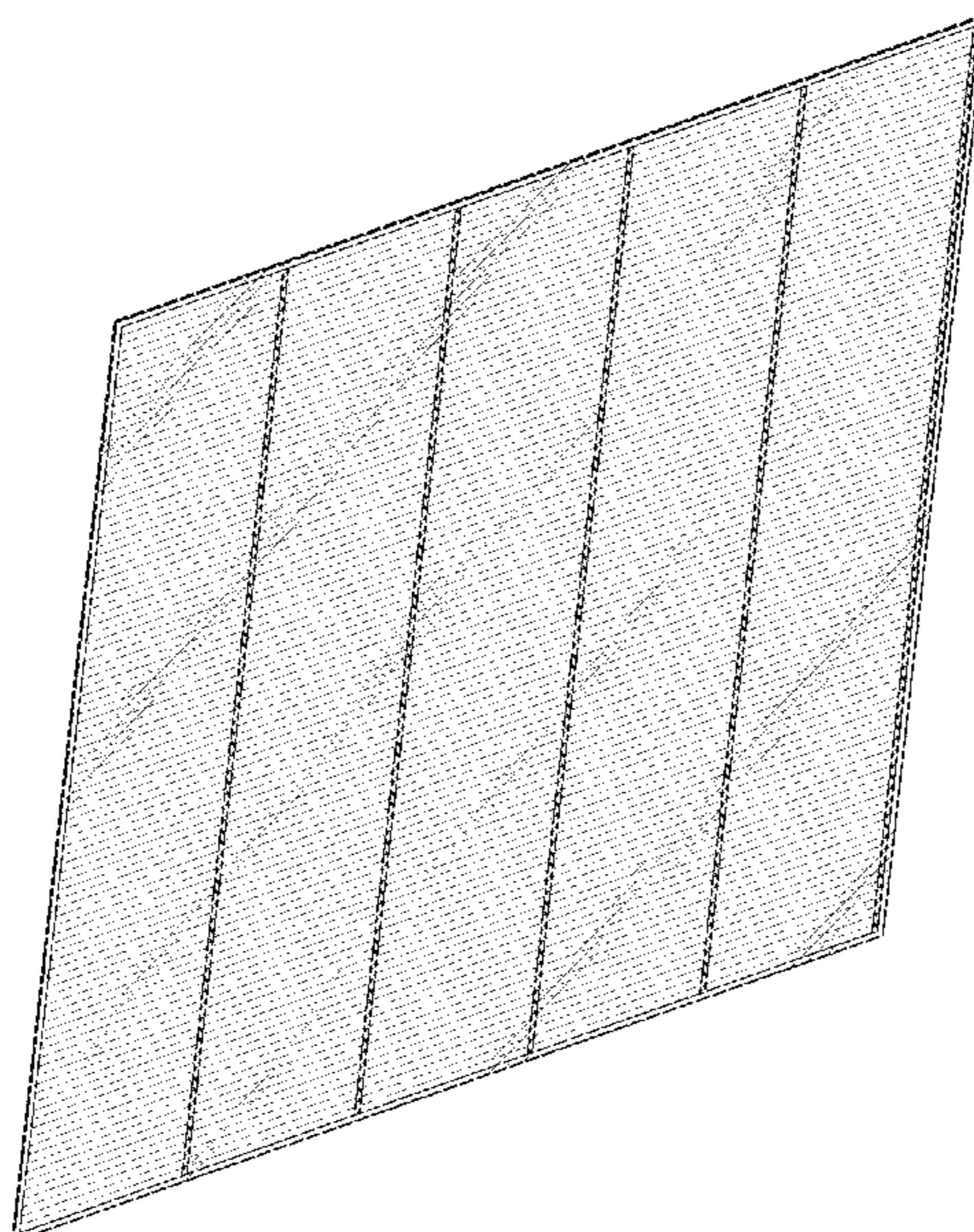
(57) **CLAIM**
The ornamental design for solar cell, as shown and described.

DESCRIPTION

FIG. 1 is a front perspective view of a solar cell;
FIG. 2 is back perspective view thereof;
FIG. 3 is a front view thereof
FIG. 4 is a back view thereof
FIG. 5 is a top view thereof;
FIG. 6 is a first side view thereof;
FIG. 7 is a second side view thereof;
FIG. 8 is a bottom view thereof;
FIG. 9 is a detailed view taken at area 9 on FIG. 3;
FIG. 10 is a detailed view taken at area 10 on FIG. 3;
FIG. 11 is a detailed view taken at area 11 on FIG. 3;
FIG. 12 is a detailed view taken at area 12 on FIG. 4;
FIG. 13 is a detailed view taken at area 13 on FIG. 4;
FIG. 14 is a detailed view taken at area 14 on FIG. 4; and,
FIG. 15 is a detailed view taken at area 15 on FIG. 5.
The broken lines shown represent unclaimed subject matter and form no part of the claimed design.

1 Claim, 8 Drawing Sheets

- (56) **References Cited**
U.S. PATENT DOCUMENTS
D442,549 S * 5/2001 Sasaoka D13/119
D442,915 S * 5/2001 Sasaoka D13/119
6,818,820 B2 * 11/2004 Matsushita et al. 136/251
7,238,879 B2 * 7/2007 Matsushita et al. 136/251
D555,083 S 11/2007 Sharma et al.
D555,084 S 11/2007 Sharma et al.



(56)

References Cited

U.S. PATENT DOCUMENTS

D679,650	S *	4/2013	Farris et al.	D13/102	2004/0255999	A1 *	12/2004	Matsushita et al.	136/244
D695,679	S *	12/2013	Endoh et al.	D13/102	2004/0261836	A1 *	12/2004	Kataoka et al.	136/244
D699,176	S	2/2014	Salomon et al.		2010/0126581	A1 *	5/2010	Nishi et al.	136/256
2003/0005955	A1 *	1/2003	Shiotsuka et al.	136/251	2011/0174354	A1 *	7/2011	Kutzer et al.	136/244
					2013/0133743	A1 *	5/2013	Grah	136/259
					2014/0007926	A1 *	1/2014	Korman et al.	136/251
					2014/0124014	A1 *	5/2014	Morad et al.	136/246

* cited by examiner

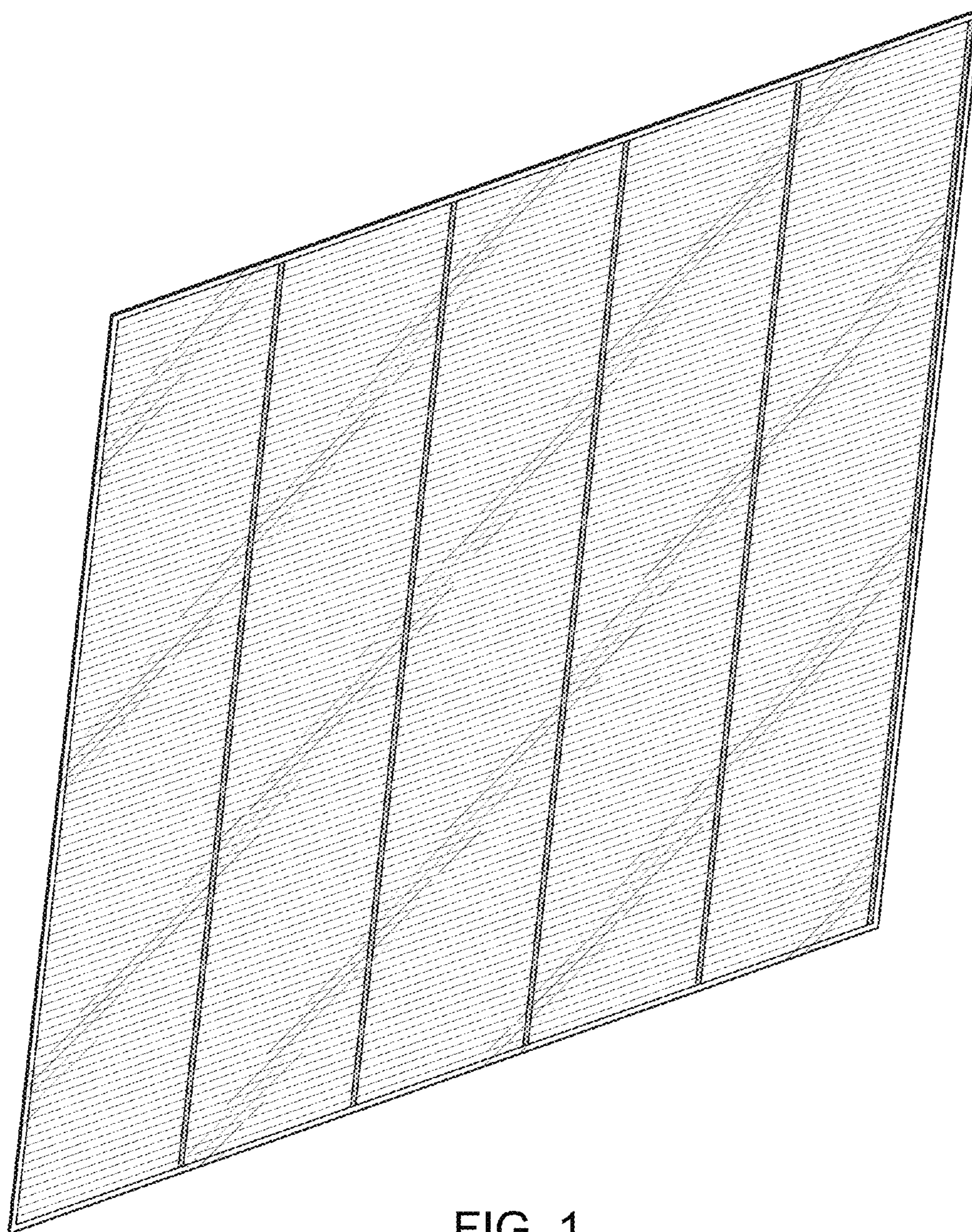


FIG. 1

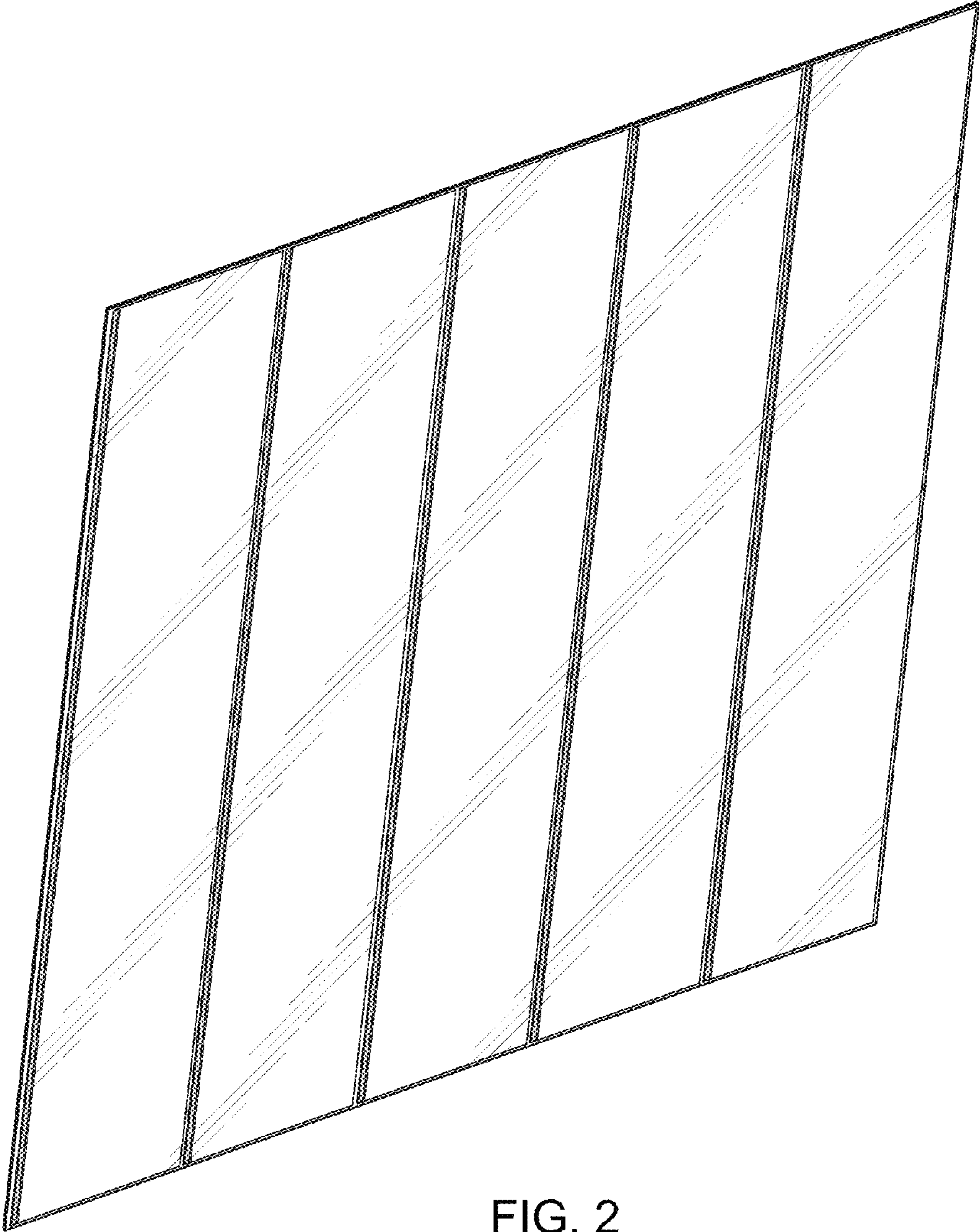


FIG. 2

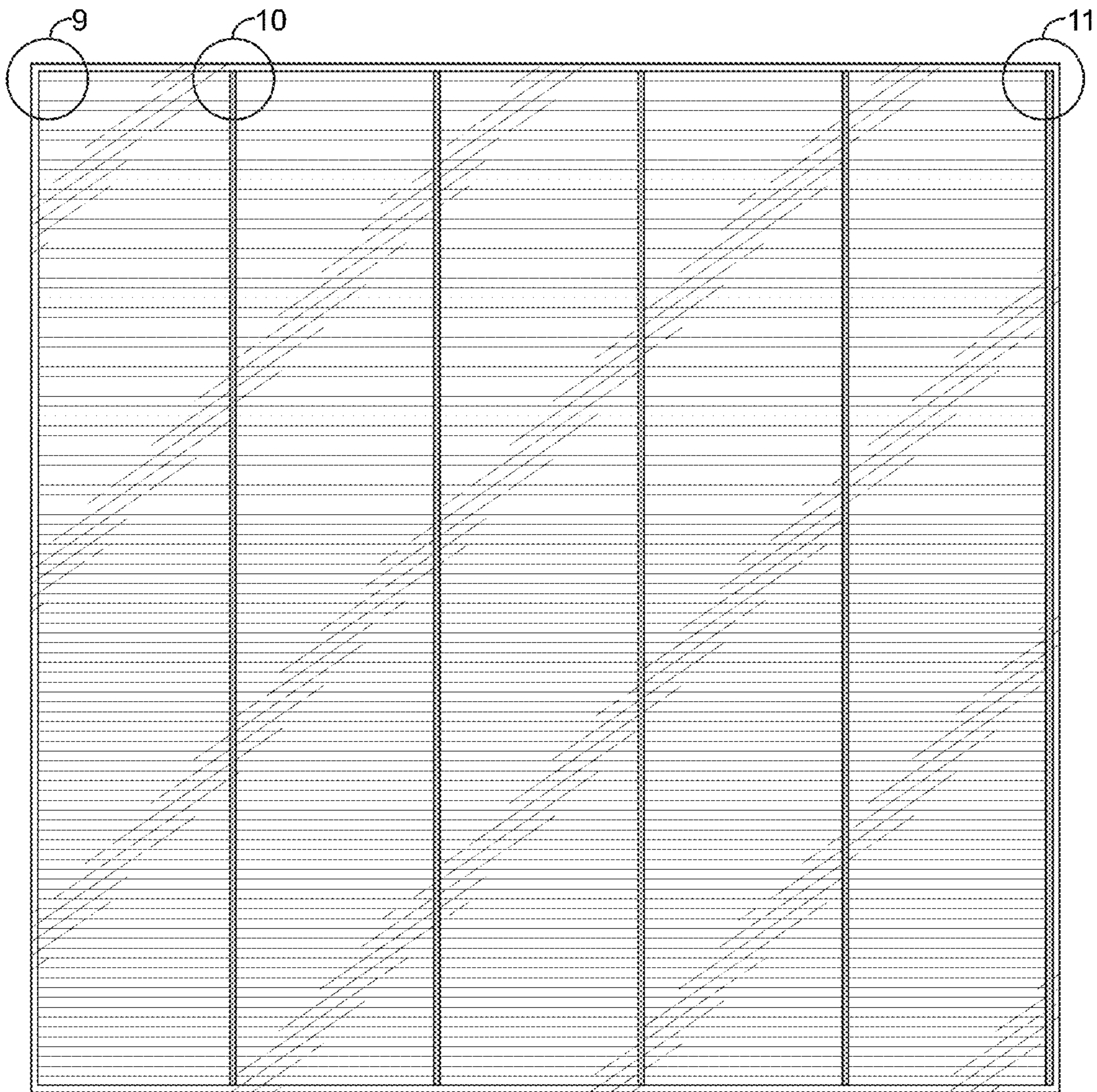


FIG. 3

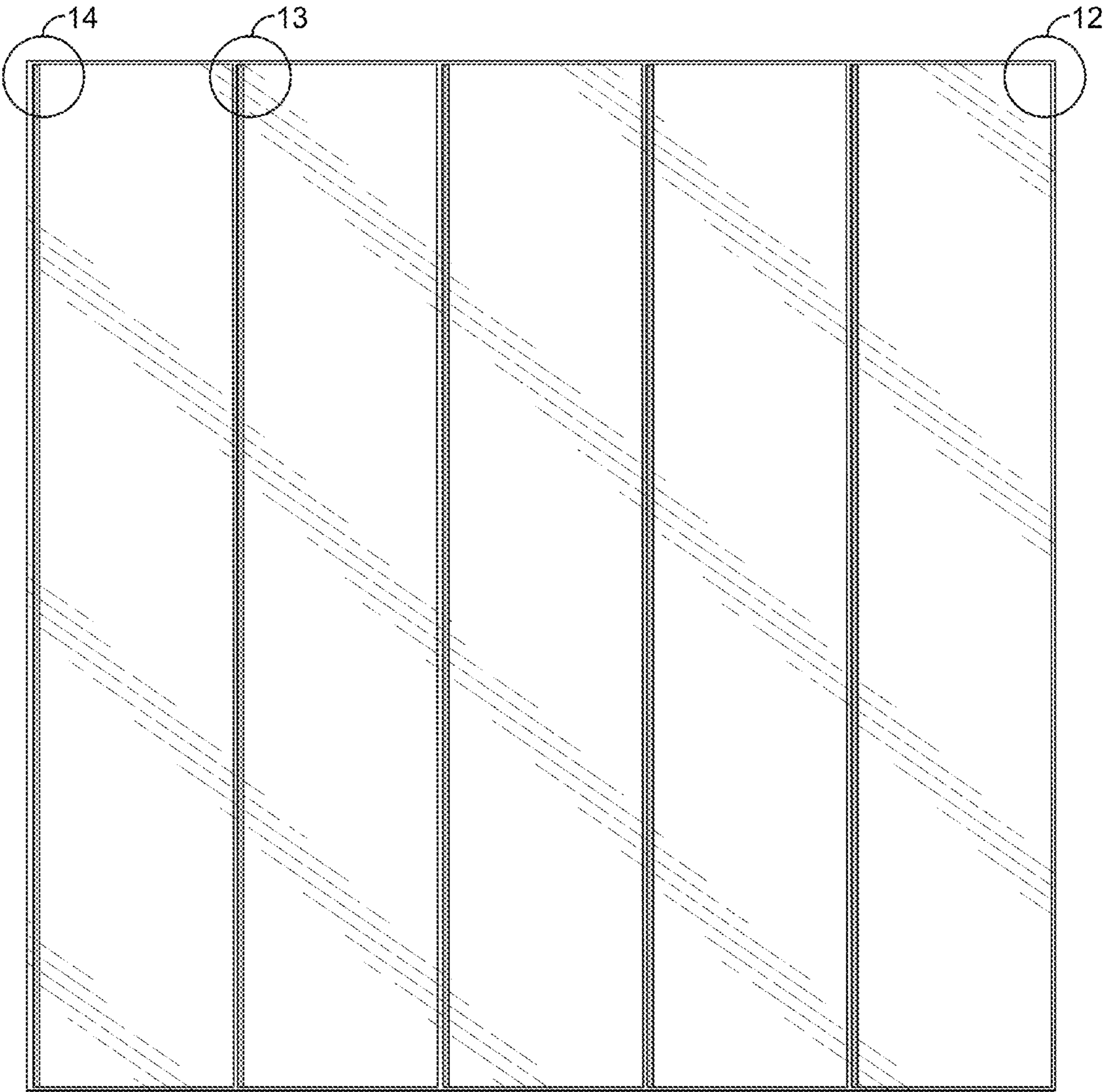


FIG. 4

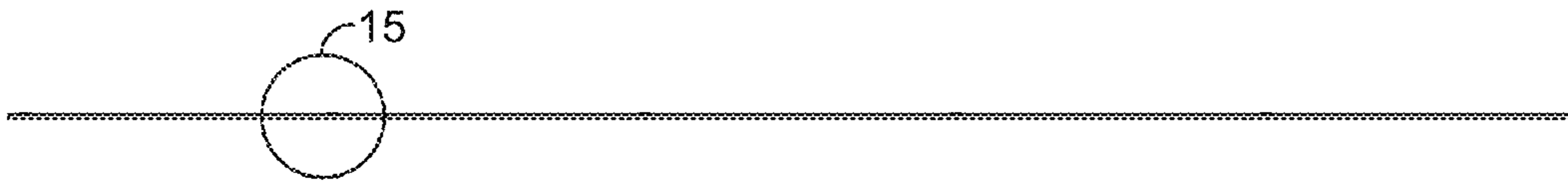


FIG. 5

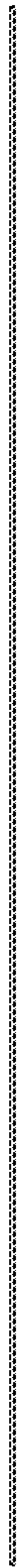


FIG. 6



FIG. 7

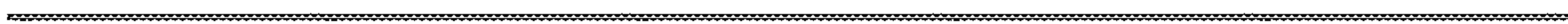


FIG. 8

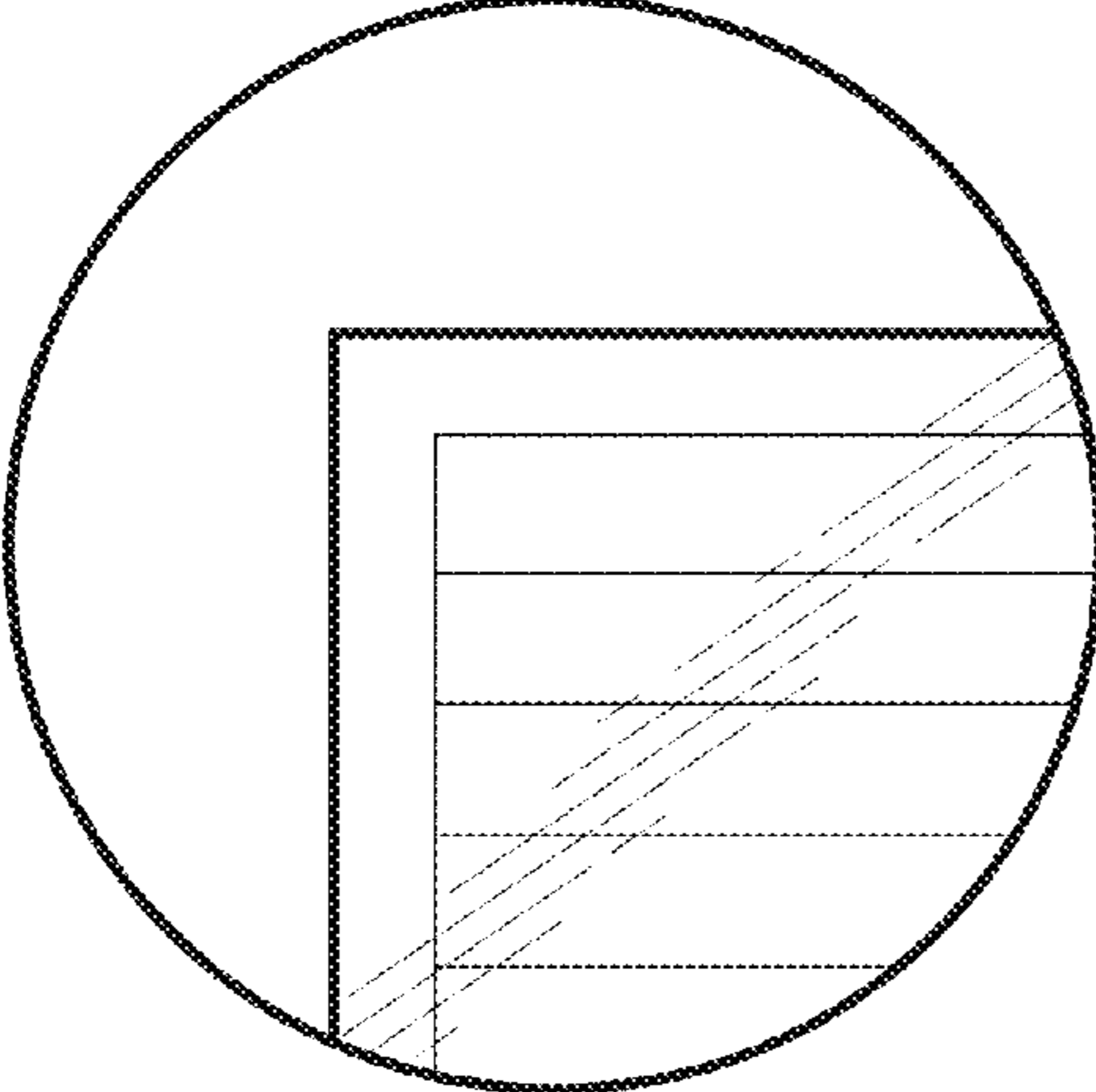


FIG. 9

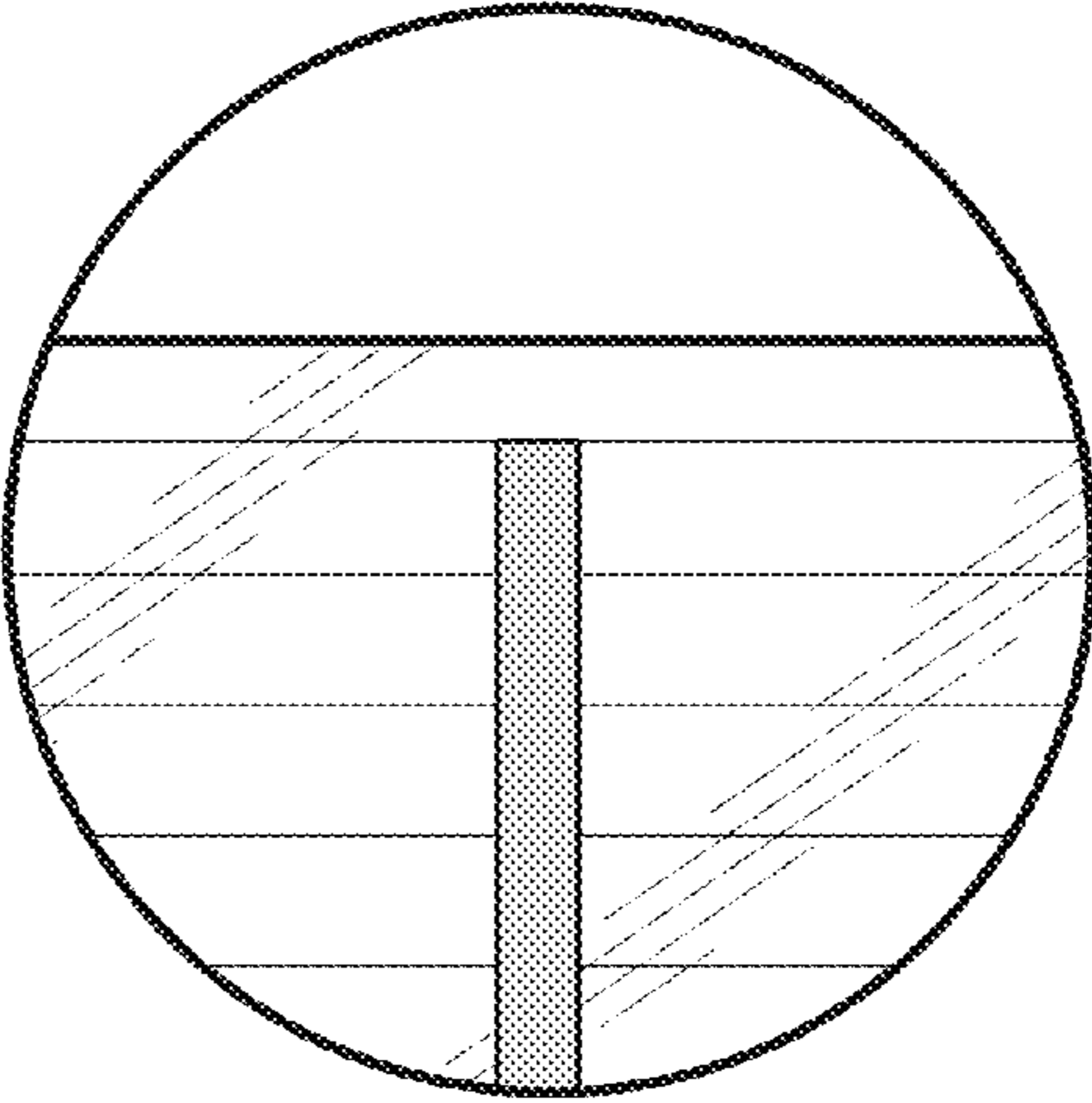


FIG. 10

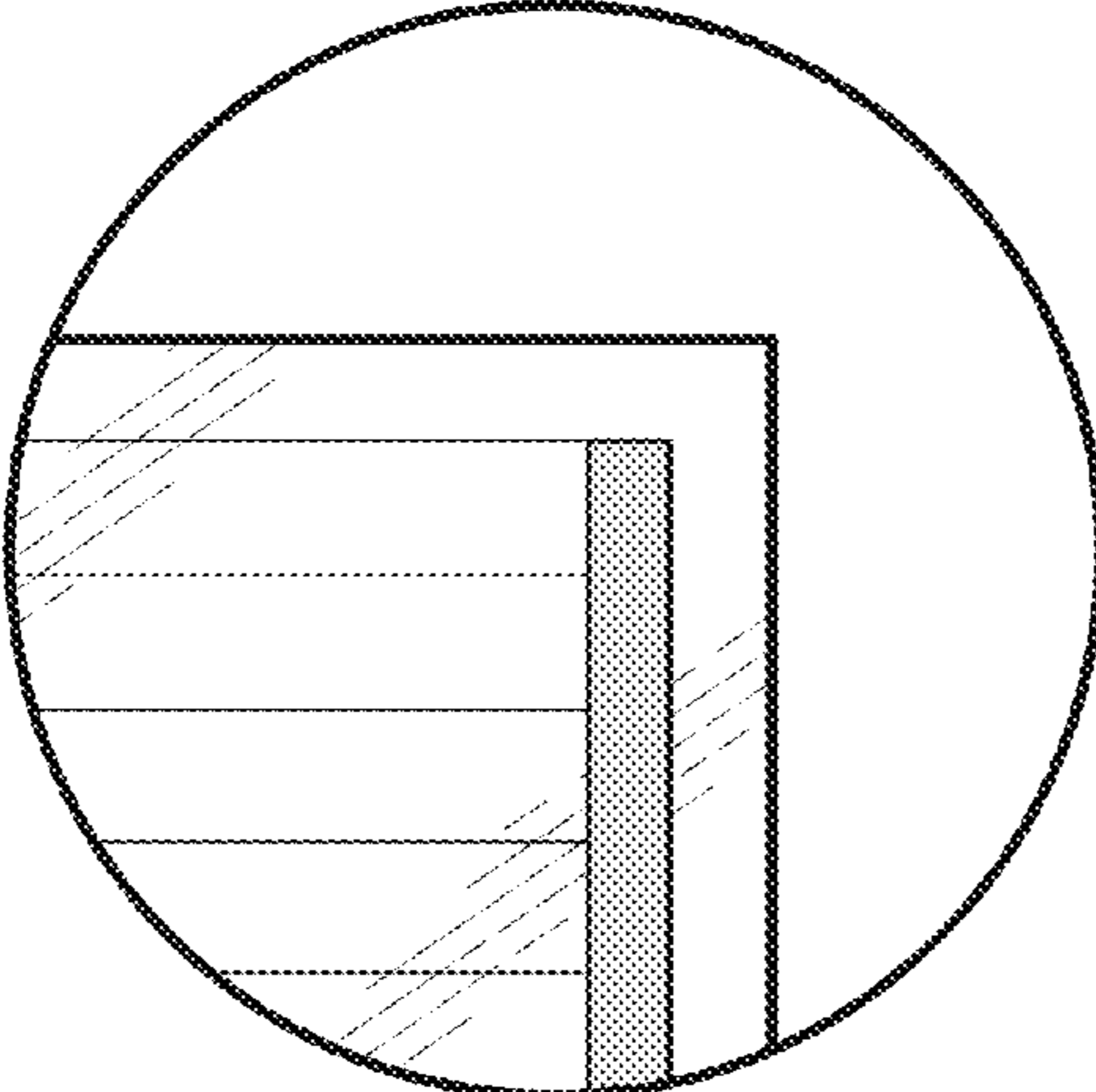


FIG. 11

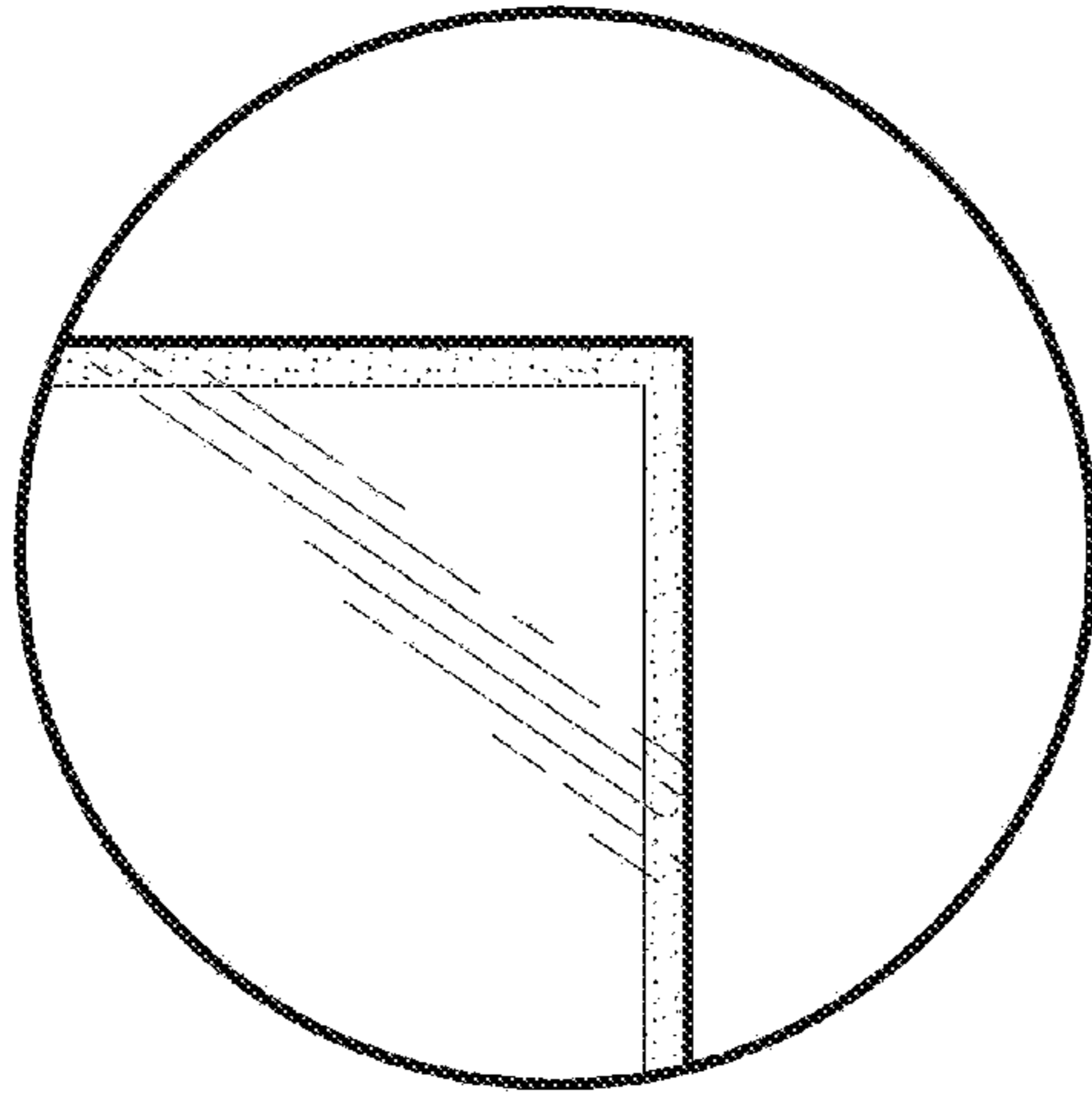


FIG. 12

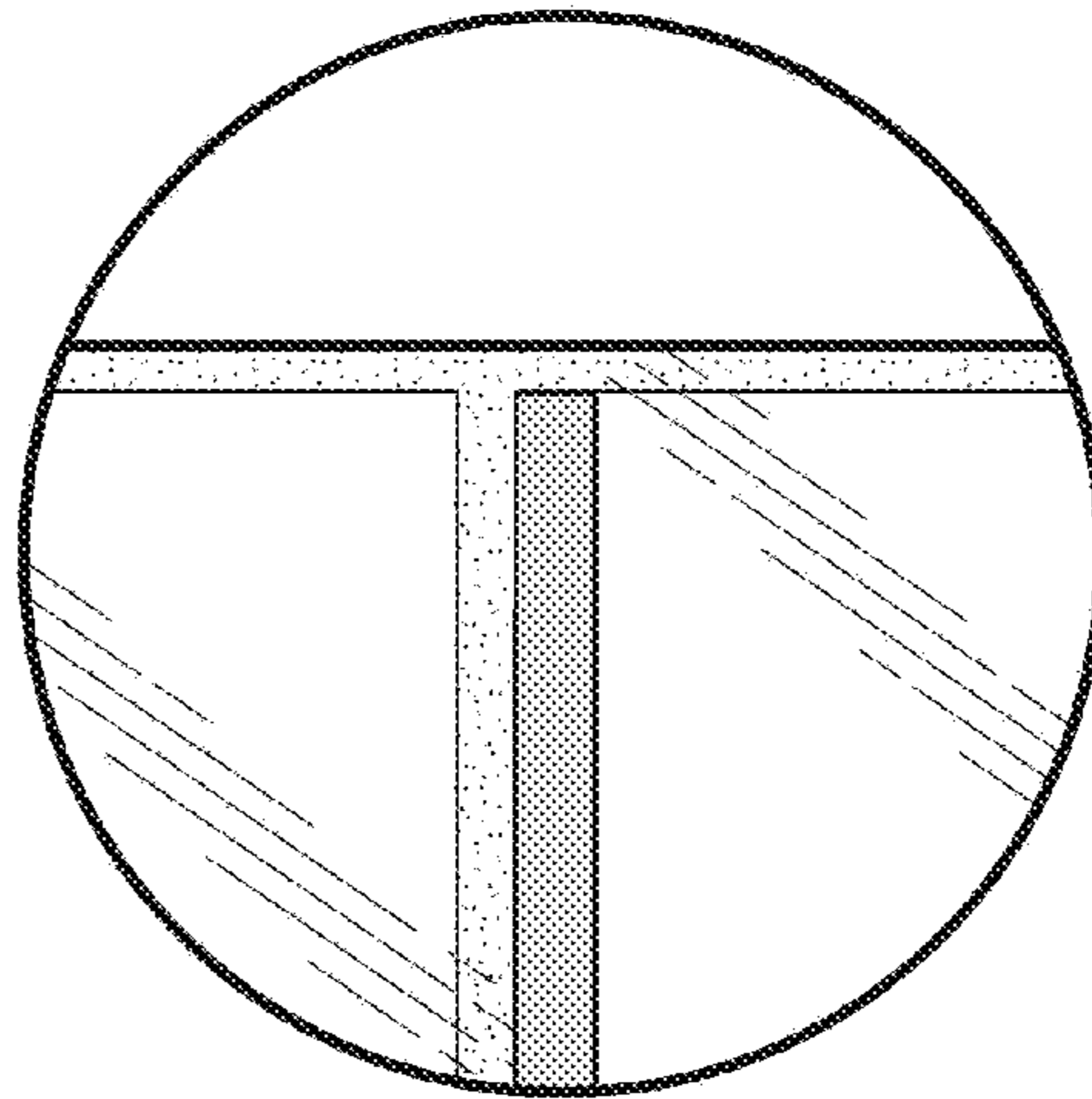


FIG. 13

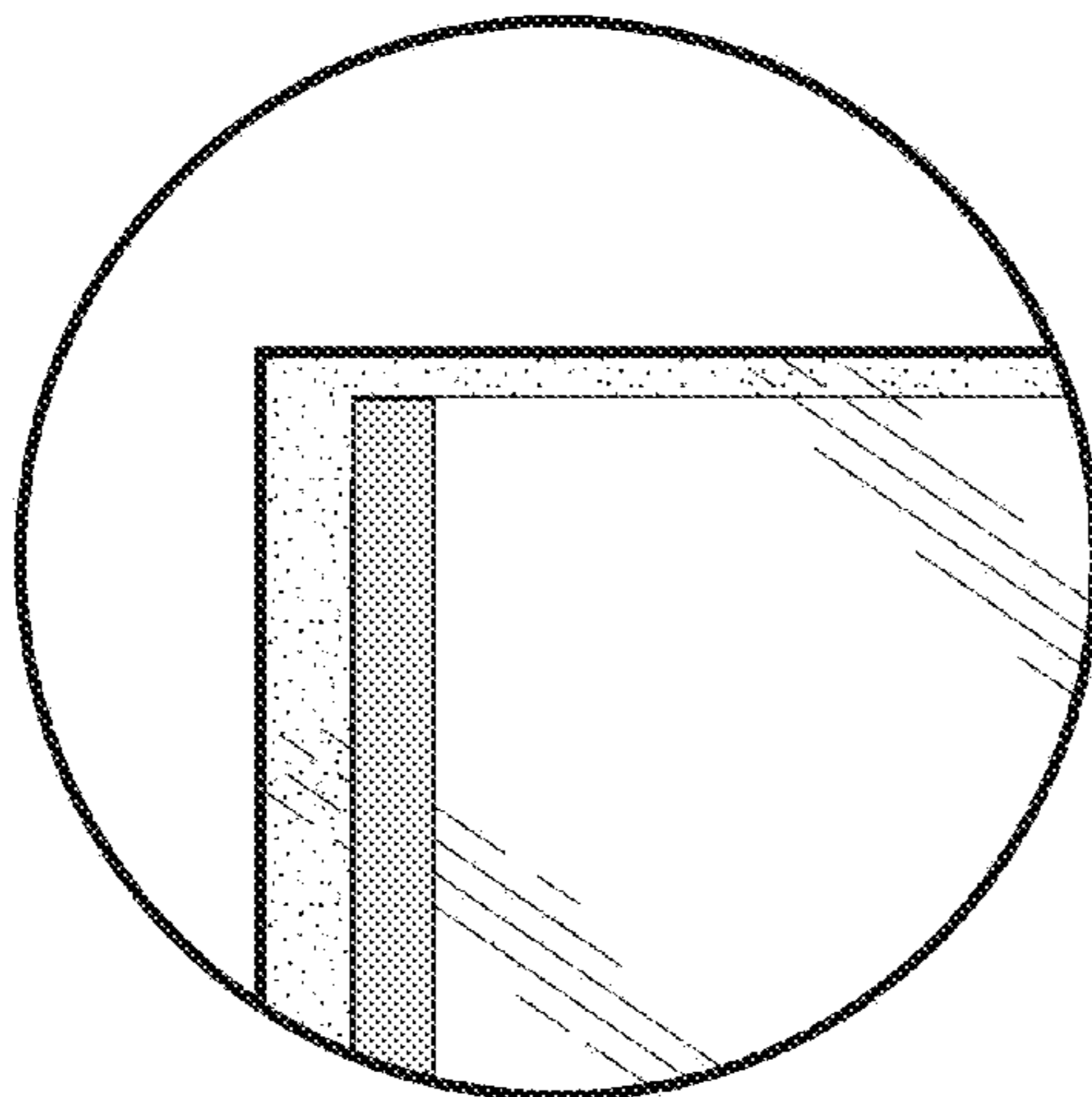


FIG. 14

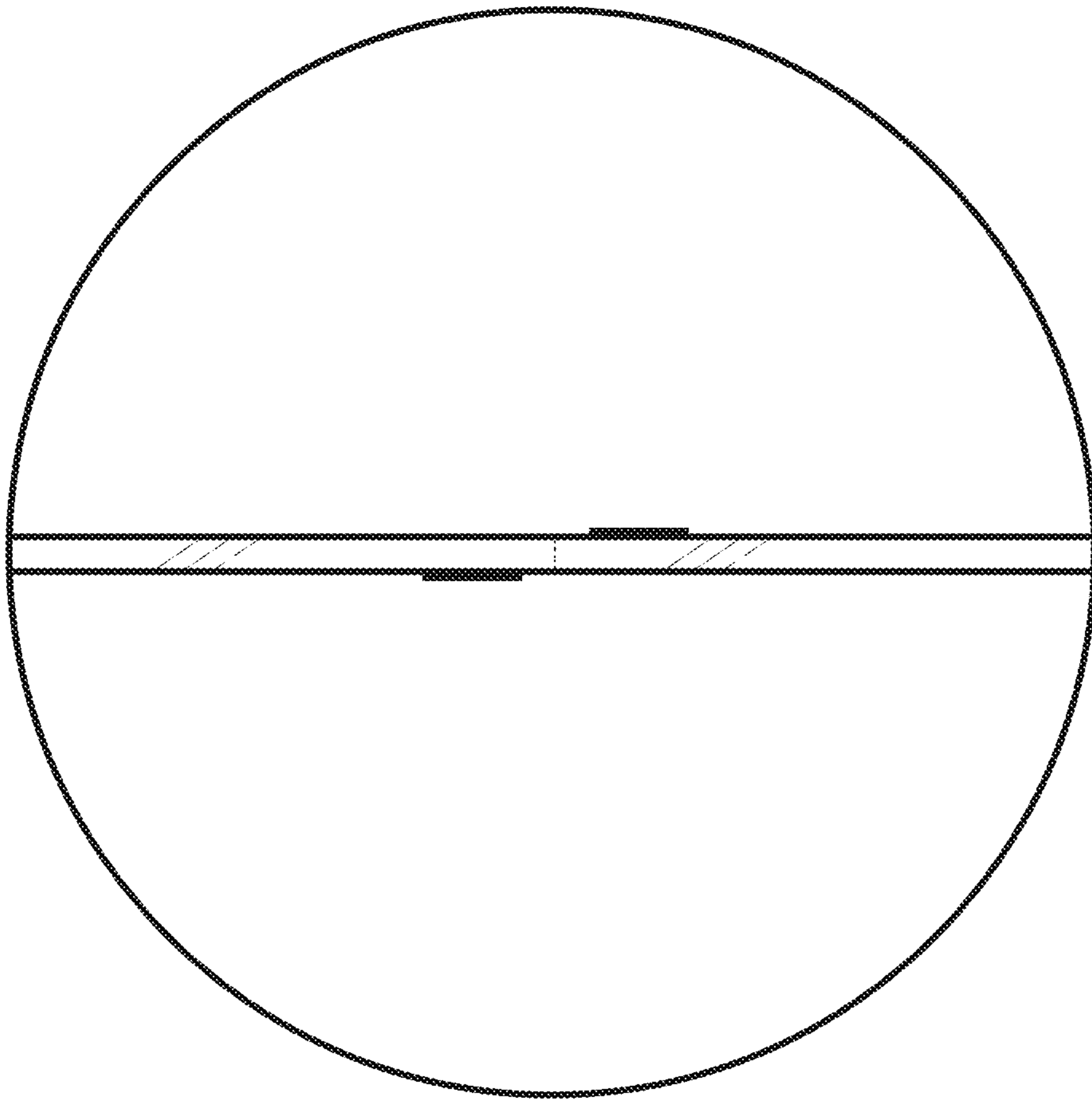


FIG. 15