



US00D762156S

(12) **United States Design Patent**
Braver et al.

(10) **Patent No.:** **US D762,156 S**
(45) **Date of Patent:** **** Jul. 26, 2016**

- (54) **STERN PORTION OF A VESSEL**
- (71) Applicants: **Skip Braver**, Opa Locka, FL (US);
Sidney Lanier, Bradenton, FL (US)
- (72) Inventors: **Skip Braver**, Opa Locka, FL (US);
Sidney Lanier, Bradenton, FL (US)
- (73) Assignee: **Cigarette Racing Team, LLC.**, Opa
Locka, FL (US)
- (**) Term: **14 Years**
- (21) Appl. No.: **29/523,416**
- (22) Filed: **Apr. 9, 2015**

D290,949 S	7/1987	Scarboro	
4,688,506 A	8/1987	Van Breems	
4,729,334 A	3/1988	DeJean, Jr.	
4,744,778 A *	5/1988	Porter	B63B 27/14 114/343
4,807,556 A	2/1989	Hillier	
D306,007 S *	2/1990	DePrey	D12/318
4,917,037 A	4/1990	Hargett, Sr.	
D310,059 S	8/1990	Porter	
D315,892 S	4/1991	Tollefson et al.	
D319,424 S	8/1991	Marks	
5,044,294 A	9/1991	Kronich et al.	
D322,240 S	12/1991	Carlson	
5,136,963 A	8/1992	Zuzik	
D329,038 S	9/1992	Dekker et al.	
5,143,013 A	9/1992	Huebner	
5,211,126 A	5/1993	Johnson	

(Continued)

Related U.S. Application Data

- (63) Continuation-in-part of application No. 29/503,370,
filed on Sep. 25, 2014.
- (51) **LOC (10) Cl.** **12-06**
- (52) **U.S. Cl.**
USPC **D12/317**
- (58) **Field of Classification Search**
USPC D12/300, 302, 303, 304, 307, 310-314,
D12/316, 317; 114/39.11-39.15,
114/39.21-39.32, 61.1, 61.2, 61.32, 61.33,
114/62, 355-358, 271, 273, 283, 288-292,
114/343, 363; 440/27, 35
CPC B63B 17/00; B63B 17/02; B63B 35/81;
B63B 35/816; B62B 21/04
See application file for complete search history.

(56) **References Cited**

U.S. PATENT DOCUMENTS

D246,035 S	10/1977	Rudiger	
4,425,861 A	1/1984	Raikamo	
4,469,040 A	9/1984	Gougeon et al.	
D277,472 S	2/1985	Alter	
D280,094 S *	8/1985	Riviezzo	D12/318
4,548,155 A *	10/1985	Hegg	B63B 27/14 114/362

FOREIGN PATENT DOCUMENTS

EM 1380455-0001 8/2013

Primary Examiner — Cynthia M Chin

(74) *Attorney, Agent, or Firm* — Malloy & Malloy, P.L.

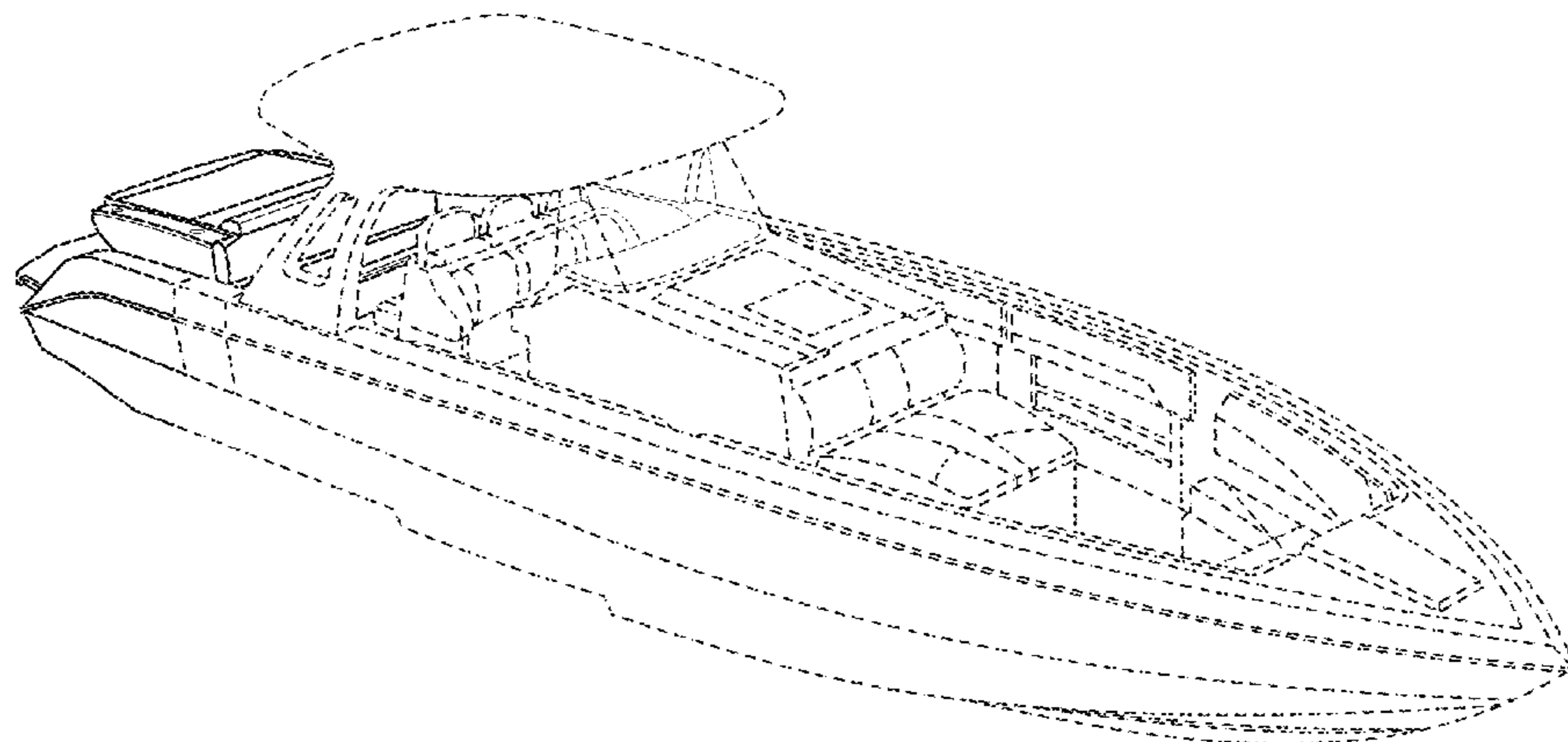
(57) **CLAIM**

The ornamental design for a stern portion of a vessel, as shown and described.

DESCRIPTION

FIG. 1 is a perspective view illustrating my design for a stern portion of a vessel;
 FIG. 2 is a right side elevation view thereof;
 FIG. 3 is a left side elevation view thereof;
 FIG. 4 is a top plan view thereof;
 FIG. 5 is a top plan view of the marine vessel with the top removed;
 FIG. 6 is a bottom plan view thereof;
 FIG. 7 is a front elevation view thereof; and,
 FIG. 8 is a rear elevation view thereof.
 The broken lines shown are included for the purpose of illustrating the unclaimed portions of the article and form no part of the claimed design.

1 Claim, 8 Drawing Sheets



(56)

References Cited

U.S. PATENT DOCUMENTS

5,224,297	A	7/1993	Watkins				
5,232,385	A	8/1993	Hatfield				
D345,339	S	3/1994	Wenstadt et al.				
D349,090	S *	7/1994	Wenstadt	D12/318			
D357,223	S	4/1995	Thompson				
D375,479	S	11/1996	Lapointe et al.				
5,715,770	A	2/1998	Heyworth				
D393,443	S	4/1998	Cassell et al.				
5,934,215	A	8/1999	Burg				
5,937,777	A	8/1999	Azima				
D429,682	S	8/2000	Garland et al.				
D430,098	S	8/2000	Vuckovis				
6,131,340	A	10/2000	Clark et al.				
6,354,236	B1	3/2002	Davidson				
6,509,469	B1	1/2003	Shintou et al.				
6,701,863	B2	3/2004	Kalhok et al.				
D514,054	S	1/2006	Blount				
D524,714	S	7/2006	Barbeito				
D547,256	S *	7/2007	Kalil	D12/317			
7,237,503	B2 *	7/2007	Stepp	B63B 29/20 114/361			
D548,666	S	8/2007	Laupman				
7,255,054	B1	8/2007	DiGregorio				
D553,071	S	10/2007	De Rover				
D574,313	S	8/2008	De Rover				
D587,641	S	3/2009	Bouckaert				
7,591,228	B2	9/2009	Hopper et al.				
D642,108	S	7/2011	Gros				
8,443,746	B2	5/2013	Pegg et al.				
D700,127	S *	2/2014	Fuller, IV	D12/300			
D717,226	S	11/2014	Braver et al.				
D726,635	S	4/2015	Curts				
9,003,997	B2	4/2015	Gratz et al.				
9,021,972	B1	5/2015	Braver et al.				
D738,284	S	9/2015	Okuyama et al.				
D743,318	S	11/2015	Curts				
2005/0087117	A1	4/2005	Scott et al.				
2007/0006789	A1	1/2007	Davidson et al.				
2009/0227157	A1	9/2009	Mochizuki				
2010/0037814	A1	2/2010	Sahr				
2010/0282154	A1	11/2010	Cook et al.				
2010/0319604	A1	12/2010	Mayrand et al.				
2011/0197800	A1	8/2011	Kalil				
2011/0223815	A1	9/2011	Kinoshita				
2012/0028517	A1	2/2012	Mochizuki et al.				
2013/0055944	A1	3/2013	Poulsen				
2013/0160695	A1	6/2013	Gratz et al.				
2013/0247813	A1	9/2013	Pegg et al.				
2014/0116319	A1	5/2014	Dougherty et al.				
2014/0202372	A1	7/2014	De Basto et al.				
2014/0216320	A1	8/2014	Lee				

* cited by examiner

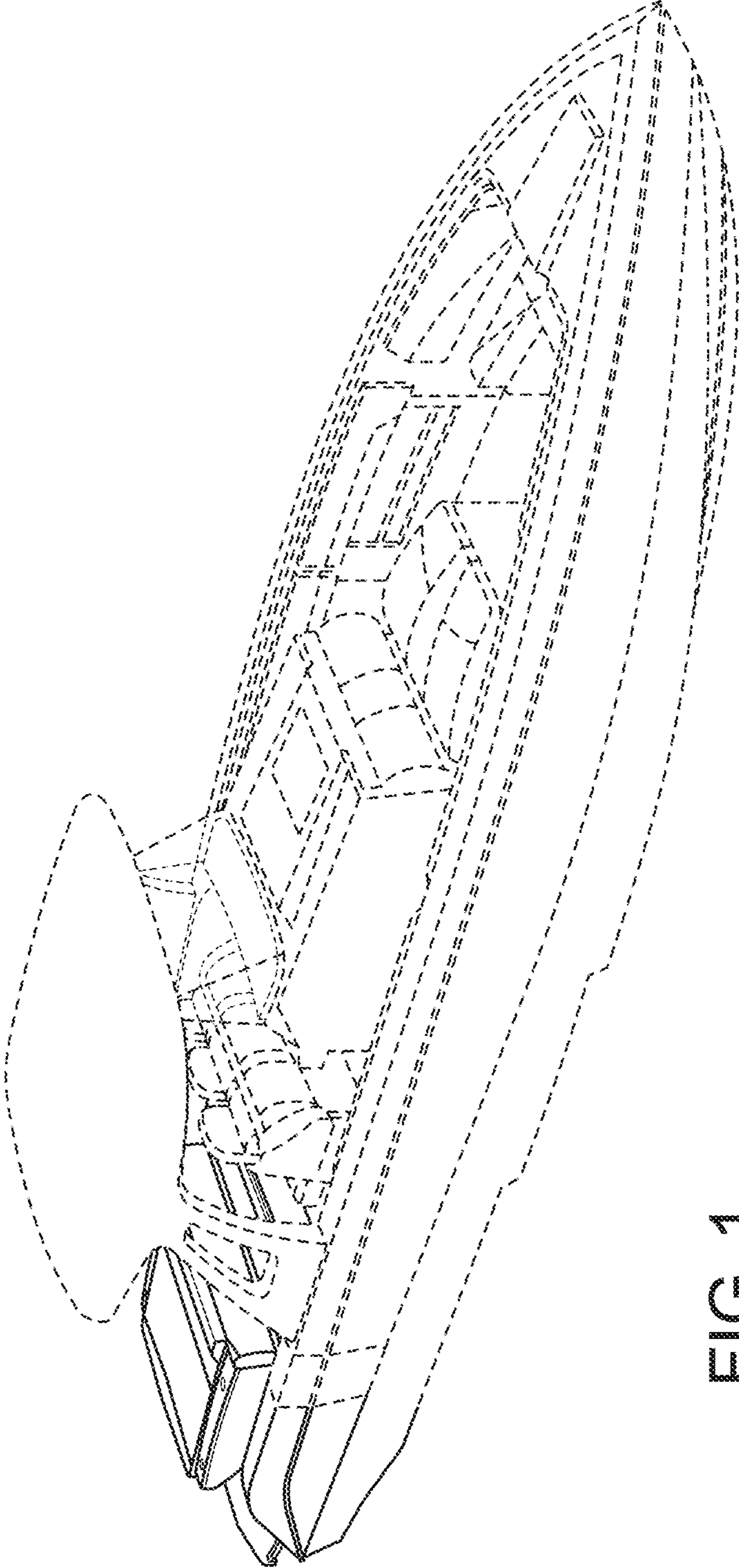


FIG. 1

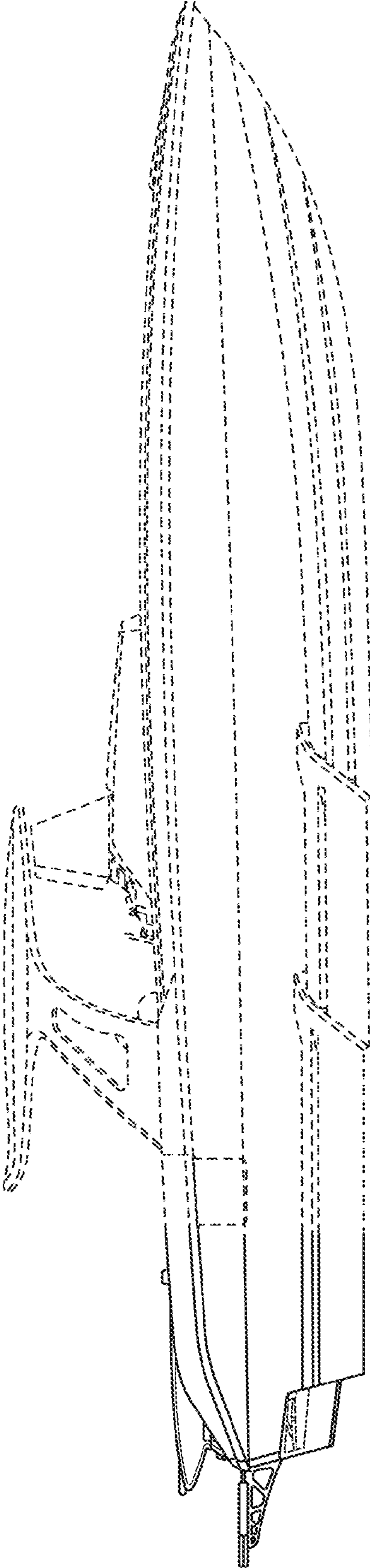


FIG. 2

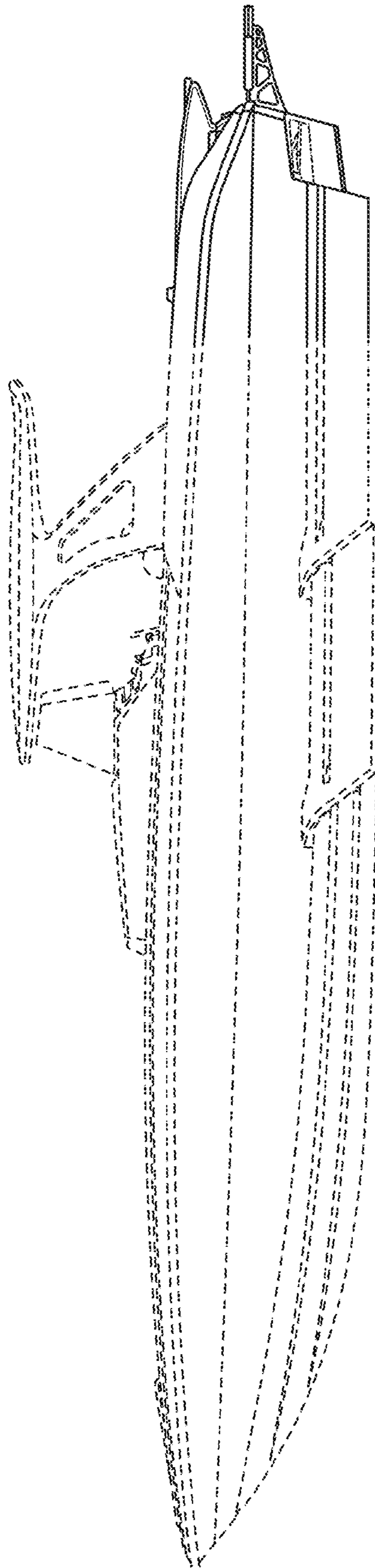


FIG. 3

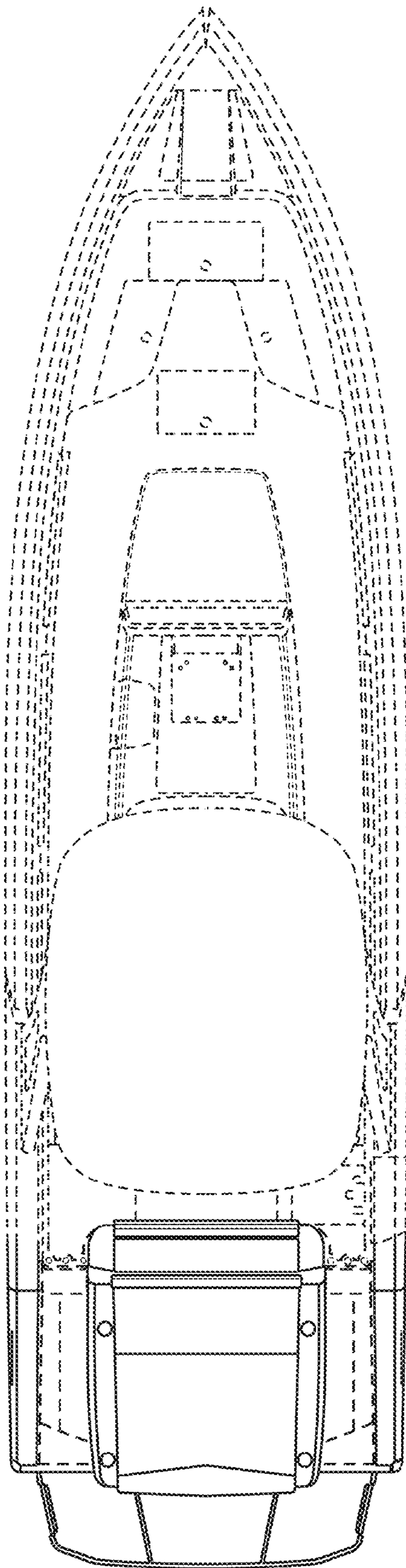


FIG. 4

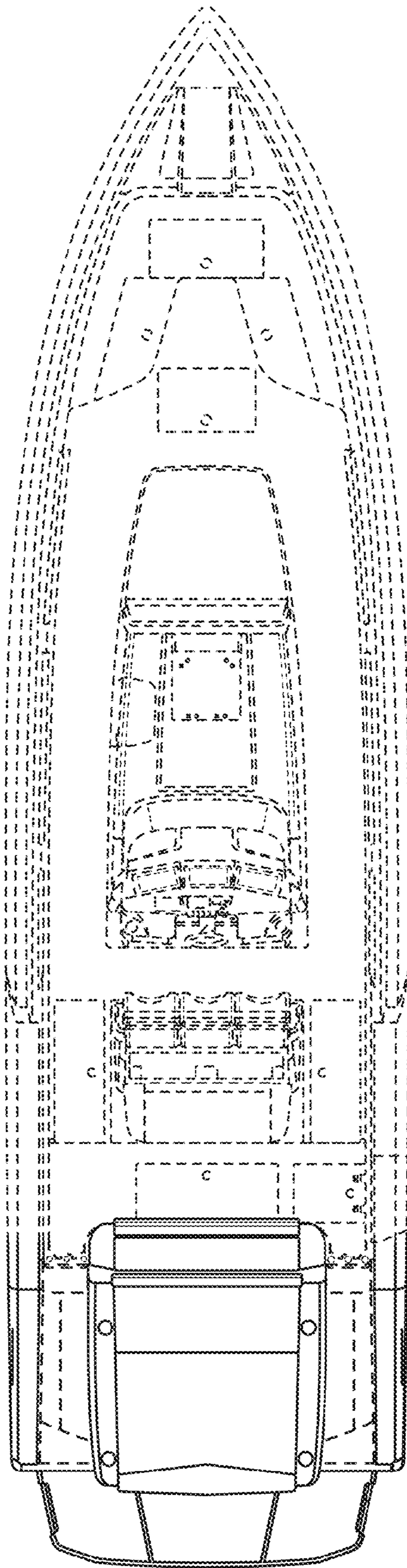


FIG. 5

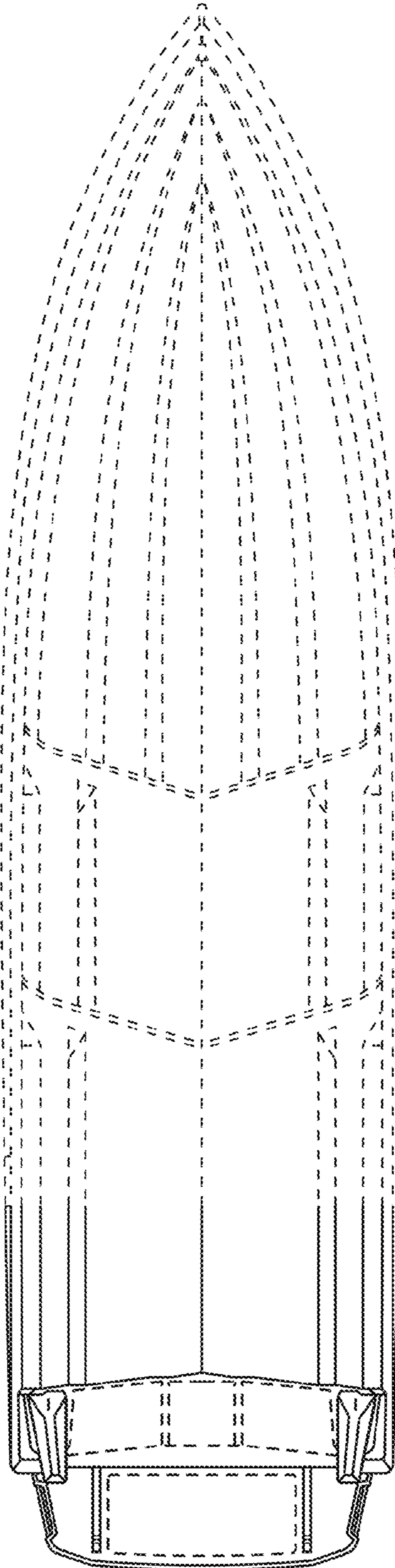


FIG. 6

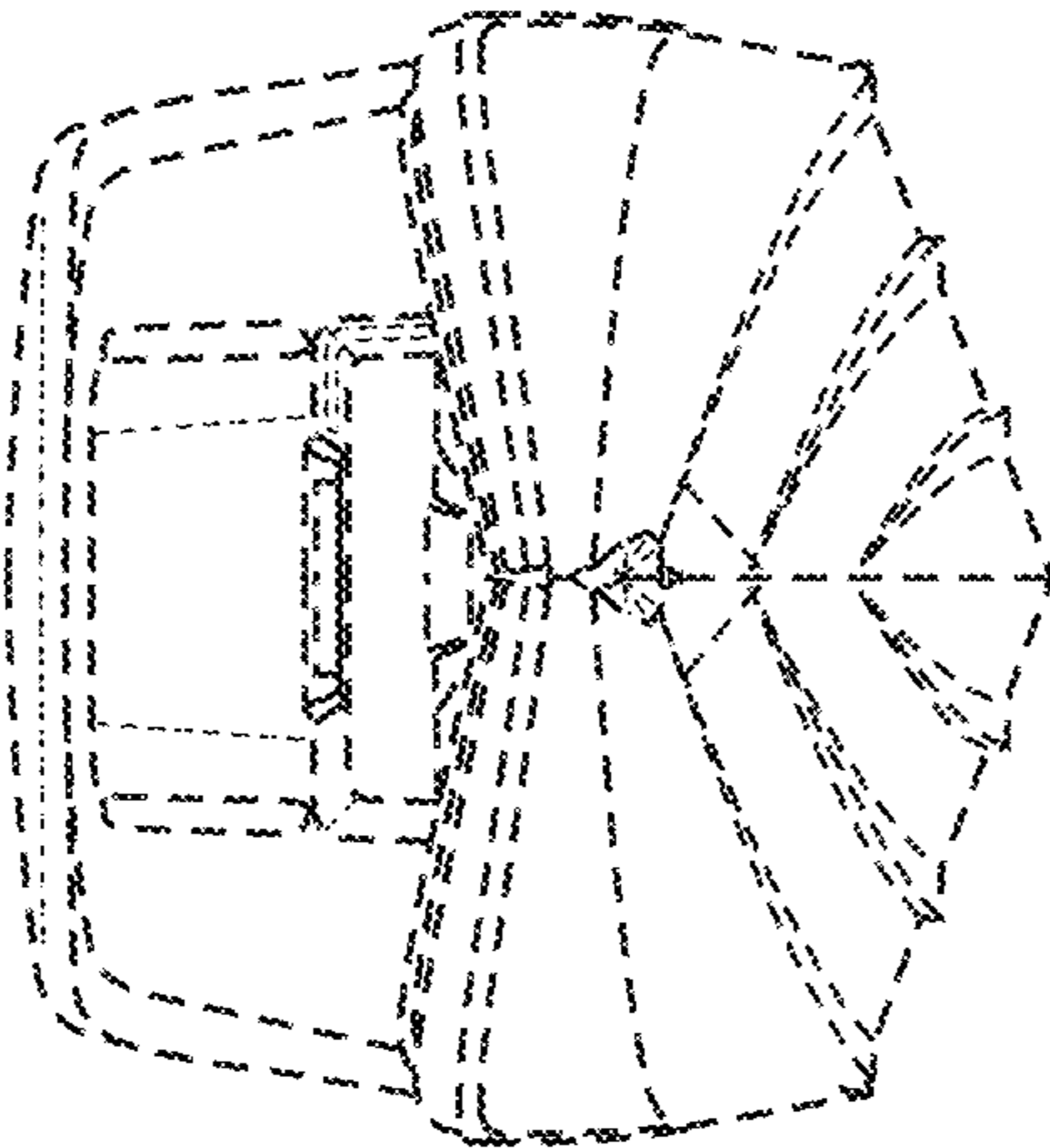


FIG. 7

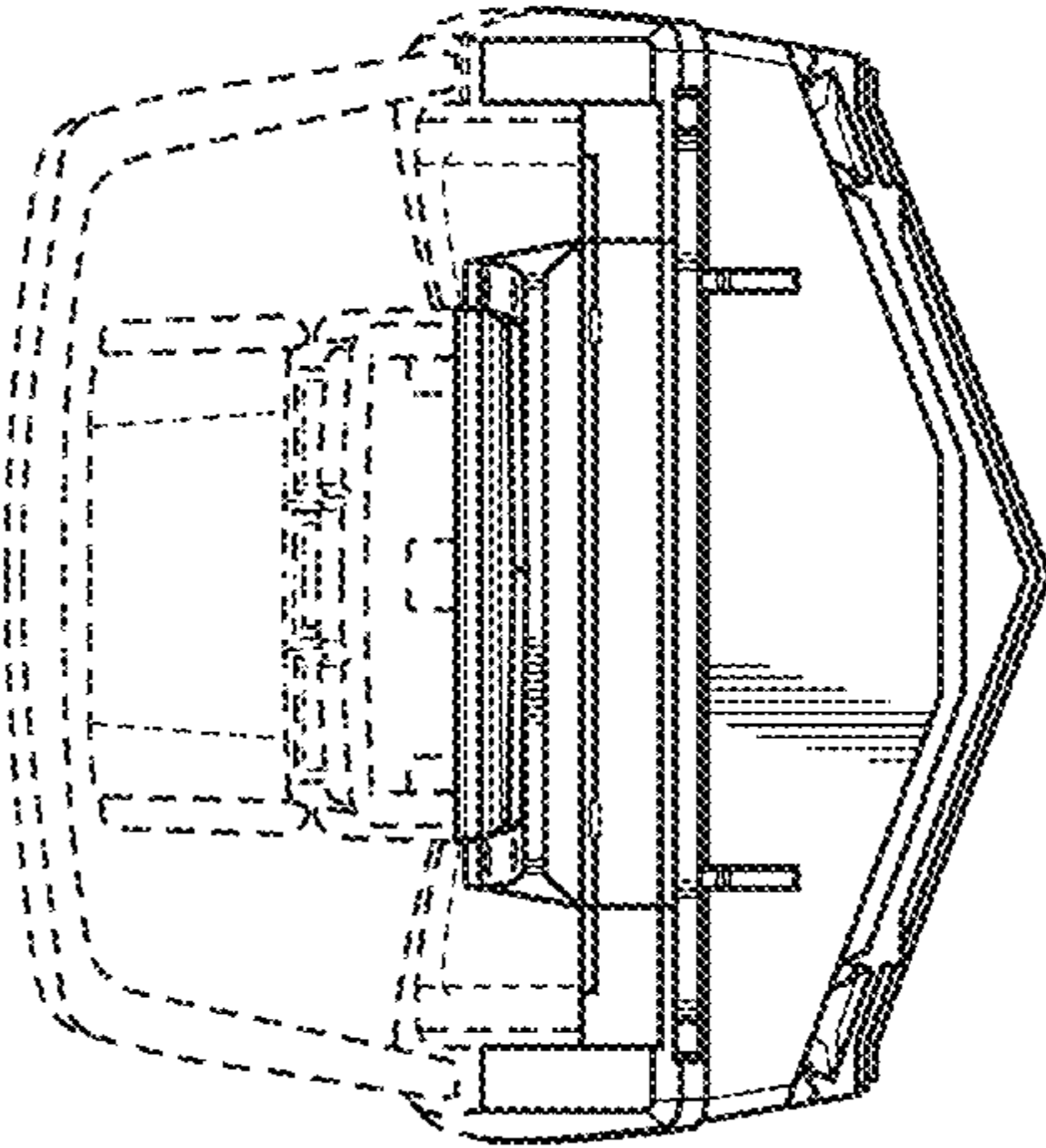


FIG. 8