



US00D762154S

(12) **United States Design Patent**
Kanki

(10) **Patent No.:** **US D762,154 S**
(45) **Date of Patent:** **** Jul. 26, 2016**

(54) **INSTRUMENT PANEL FOR AUTOMOBILES**

D705,144 S * 5/2014 Ishikawa D12/192
D705,711 S * 5/2014 Yamamoto D12/192
D737,186 S * 8/2015 Nakao D12/192

(71) Applicant: **HONDA MOTOR CO., LTD.**, Tokyo
(JP)

OTHER PUBLICATIONS

(72) Inventor: **Takao Kanki**, Wako (JP)

“Car Styling 177th Edition” published on Mar. 31, 2007, p. 40, w/English translations of the relevant portions, cited in Japanese Official Communication dated May 27, 2015 (3 pages).

(73) Assignee: **HONDA MOTOR CO., LTD.**, Tokyo
(JP)

“Car Graphic” published on May 1, 2012, p. 51, w/English translations of the relevant portions, cited in Japanese Official Communication dated May 27, 2015 (3 pages).

(**) Term: **15 Years**

Japanese Official Communication dated May 27, 2015, issued in counterpart Japanese Patent Application No. 2014-026680 (1 page).

(21) Appl. No.: **29/528,188**

(22) Filed: **May 27, 2015**

* cited by examiner

(30) **Foreign Application Priority Data**

Primary Examiner — Katrina A Betton

Nov. 28, 2014 (JP) 2014-026680

(74) *Attorney, Agent, or Firm* — Westerman, Hattori, Daniels & Adrian, LLP

(51) **LOC (10) Cl.** **12-16**

(57) **CLAIM**

(52) **U.S. Cl.**
USPC **D12/192**

The ornamental design for an instrument panel for automobiles, as shown and described.

(58) **Field of Classification Search**
USPC D12/192, 415, 110, 114; D15/17, 28;
D10/46, 98, 102–103, 122–127
See application file for complete search history.

DESCRIPTION

(56) **References Cited**

FIG. 1 is a front view of an instrument panel for automobiles;
FIG. 2 is a plan view thereof;
FIG. 3 is a left side plan view thereof;
FIG. 4 is a right side plan view thereof;
FIG. 5 is a front perspective view thereof as seen from a right upper side; and,
FIG. 6 is a front perspective view thereof as seen from a left upper side.

U.S. PATENT DOCUMENTS

D697,848 S * 1/2014 Maruyama D12/192
D697,849 S * 1/2014 Tanaka D12/192
D699,171 S * 2/2014 Matsuo D12/192
D704,608 S * 5/2014 Kanda D12/192
D705,143 S * 5/2014 Kawashima D12/192

1 Claim, 2 Drawing Sheets

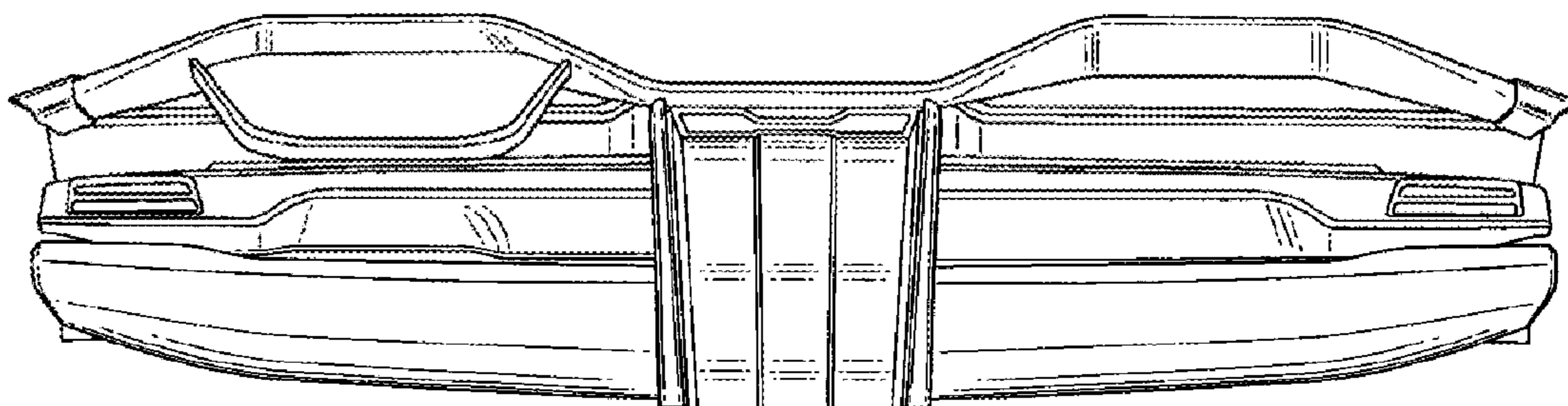


FIG.1

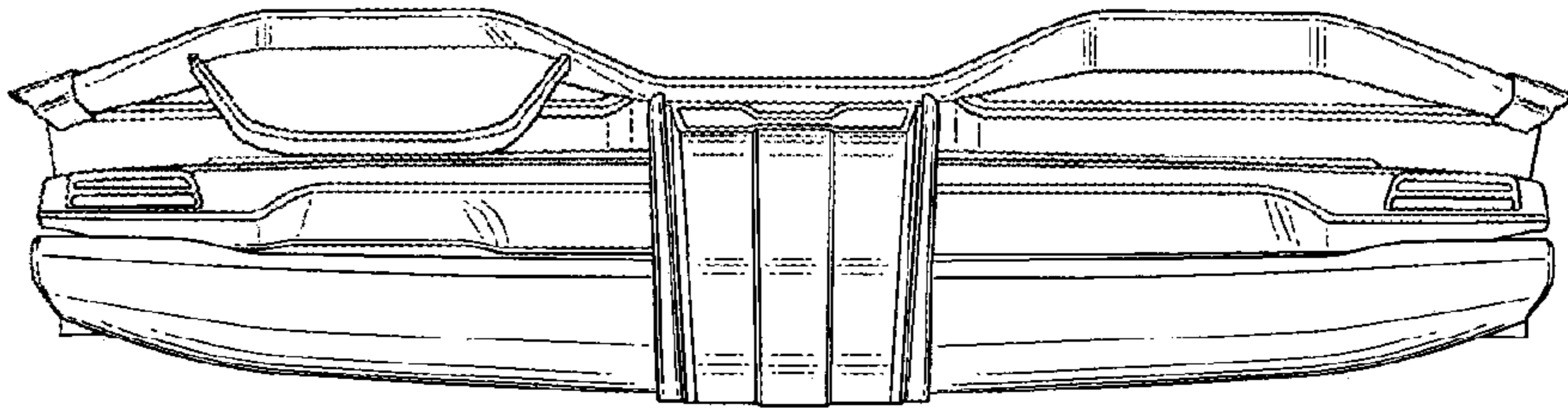


FIG.2

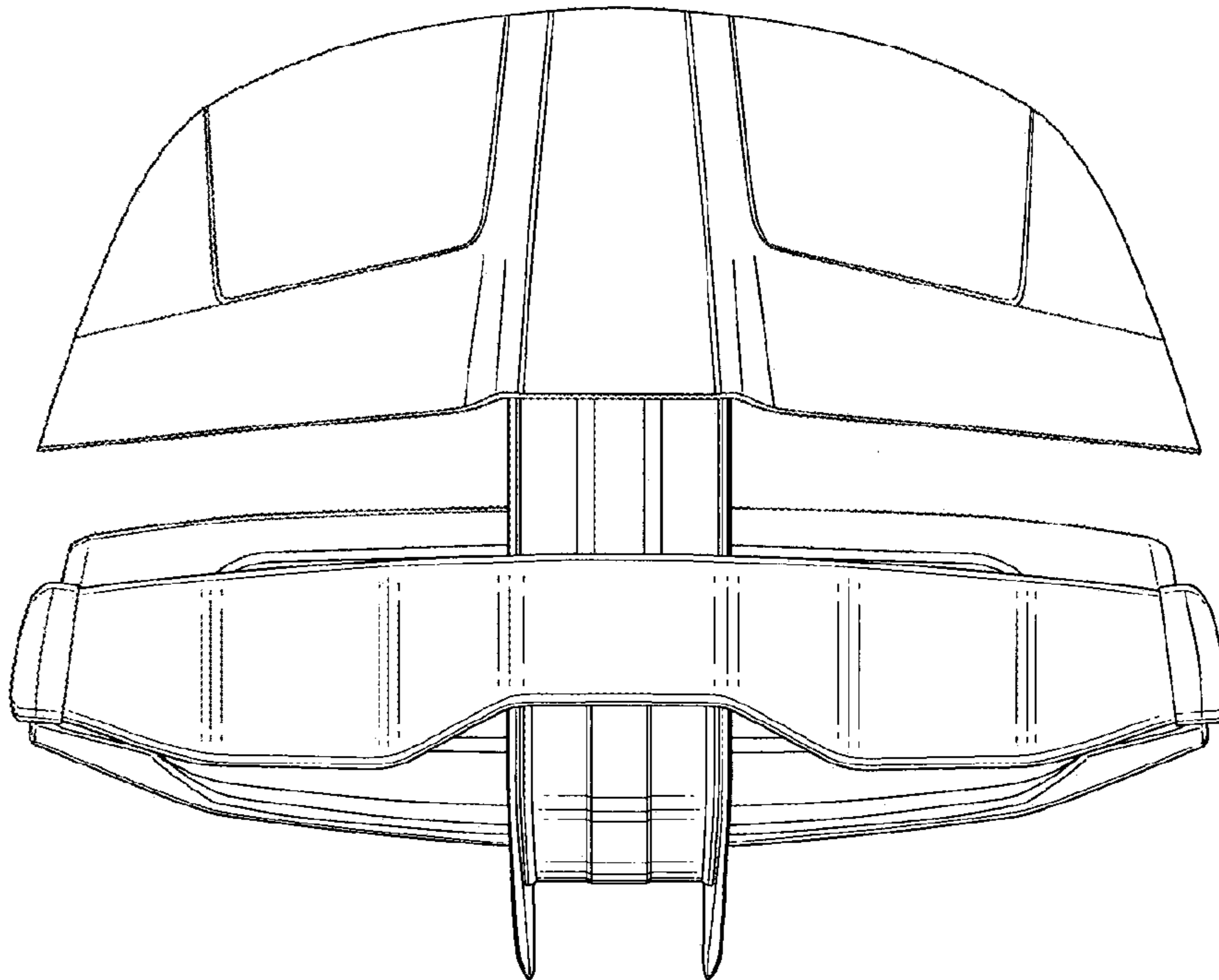


FIG.3

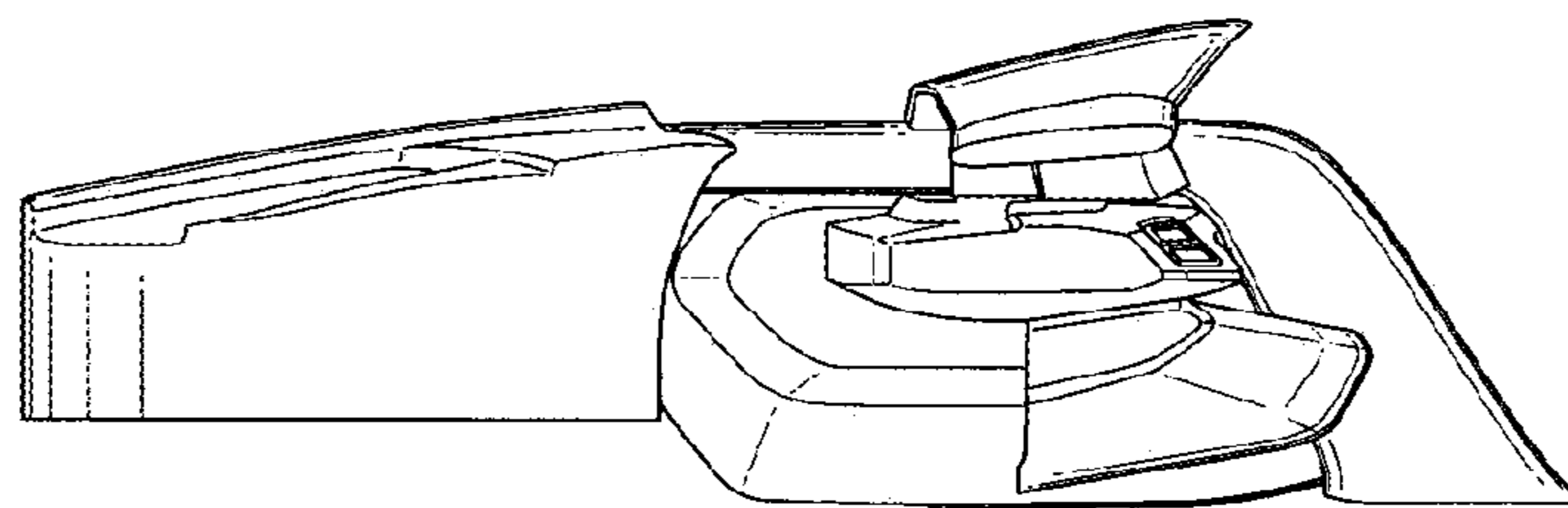


FIG.4

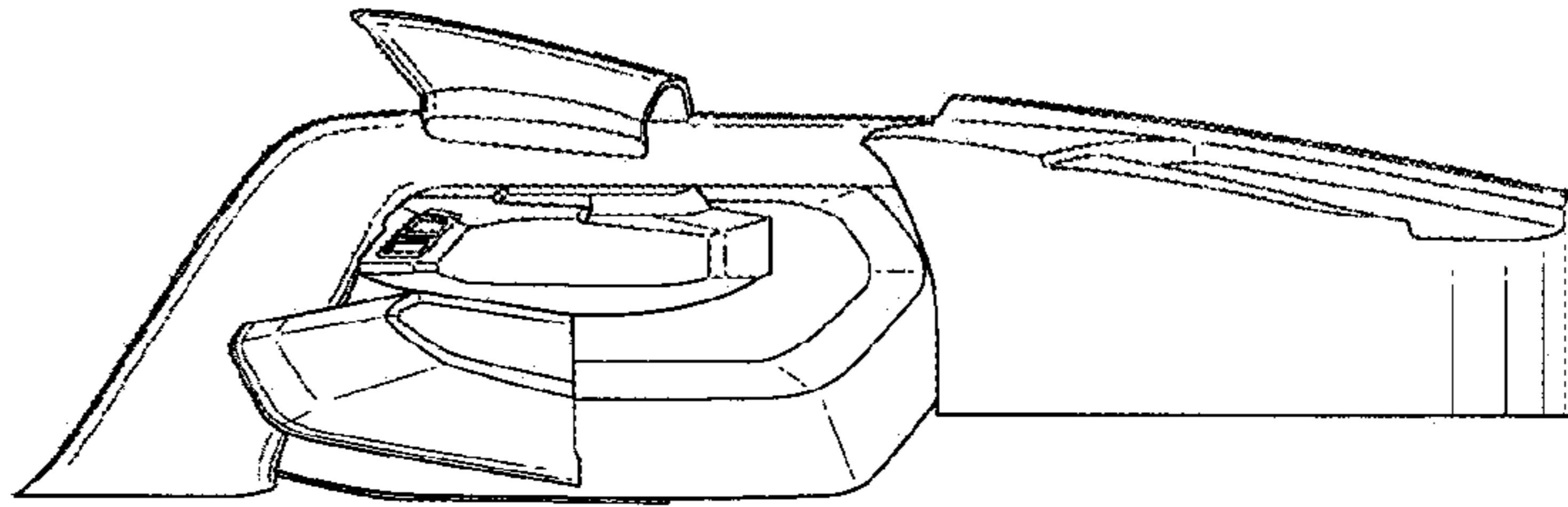


FIG.5

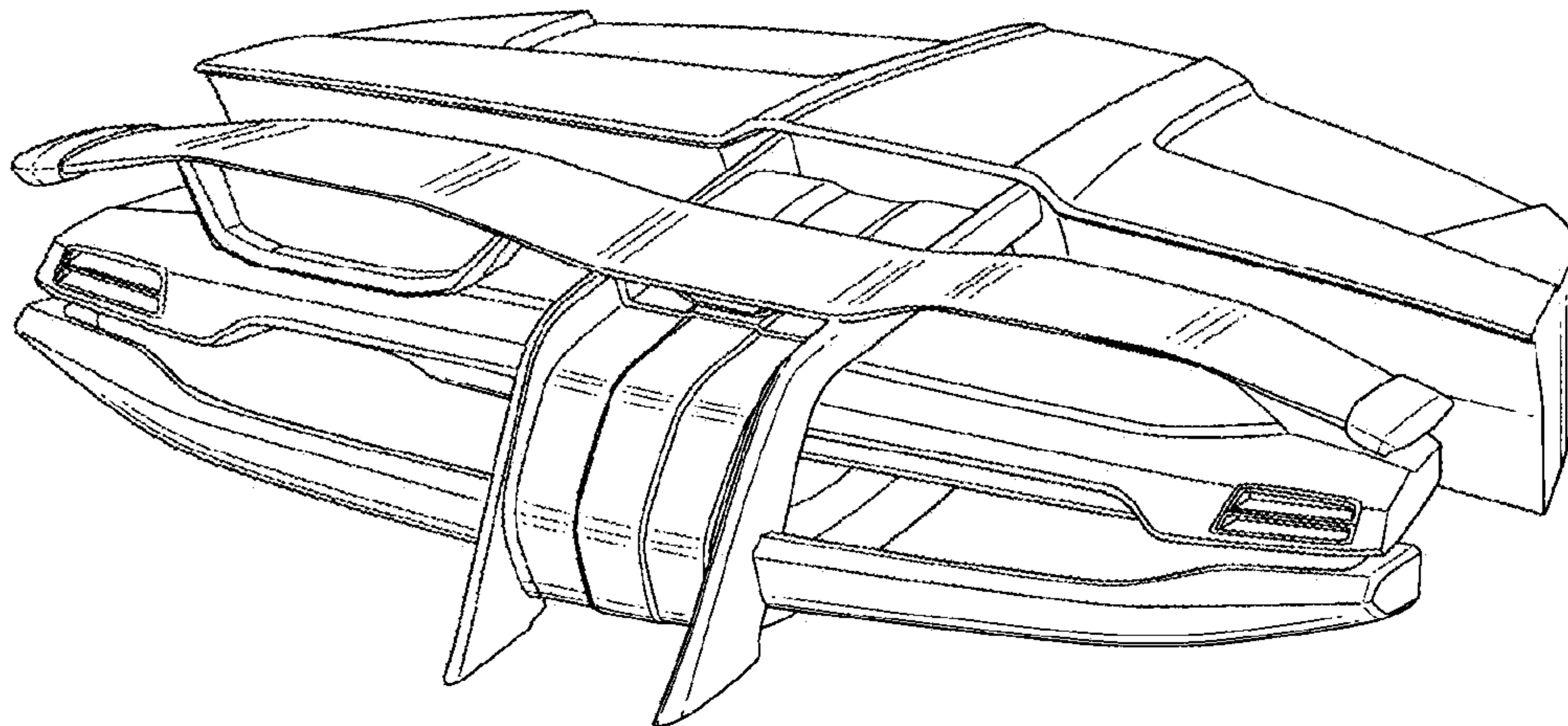


FIG.6

