



US00D762151S

(12) **United States Design Patent**  
**Luk**

(10) **Patent No.:** **US D762,151 S**  
(45) **Date of Patent:** **\*\* Jul. 26, 2016**

(54) **FRONT FENDER FOR A VEHICLE**  
(71) Applicant: **Bayerische Motoren Werke**  
**Aktiengesellschaft, Munich (DE)**  
(72) Inventor: **Calvin Luk, Munich (DE)**  
(73) Assignee: **Bayerische Motoren Werke**  
**Aktiengesellschaft, Munich (DE)**

D716,708 S \* 11/2014 Beermann ..... D12/184  
D735,101 S \* 7/2015 Nissl ..... D12/184  
D746,742 S \* 1/2016 Curic ..... D12/184  
D748,023 S \* 1/2016 Nissl ..... D12/184  
2009/0284046 A1\* 11/2009 Mildner ..... B62D 25/16  
296/198  
2010/0314518 A1\* 12/2010 Steinhilb ..... B62D 25/163  
248/274.1  
2015/0158531 A1\* 6/2015 Iwano ..... B62D 25/163  
296/198

(\*\*) Term: **15 Years**  
(21) Appl. No.: **29/530,455**  
(22) Filed: **Jun. 17, 2015**

**FOREIGN PATENT DOCUMENTS**

WO WO DM/070649 3/2009  
WO WO DM/070931 3/2009

\* cited by examiner

(30) **Foreign Application Priority Data**  
Dec. 18, 2014 (DE) ..... 40 2014 101 250  
(51) **LOC (10) Cl.** ..... **12-16**  
(52) **U.S. Cl.**  
USPC ..... **D12/184**  
(58) **Field of Classification Search**  
USPC ..... D12/90, 91, 92, 181, 184, 196;  
280/152.1, 847, 848, 849, 851;  
296/181.1, 181.5  
CPC ..... B62D 25/02; B62D 25/16; B62D 25/18;  
B62D 25/162  
See application file for complete search history.

*Primary Examiner* — Philip S Hyder  
*Assistant Examiner* — Darlington Ly  
(74) *Attorney, Agent, or Firm* — Crowell & Moring LLP

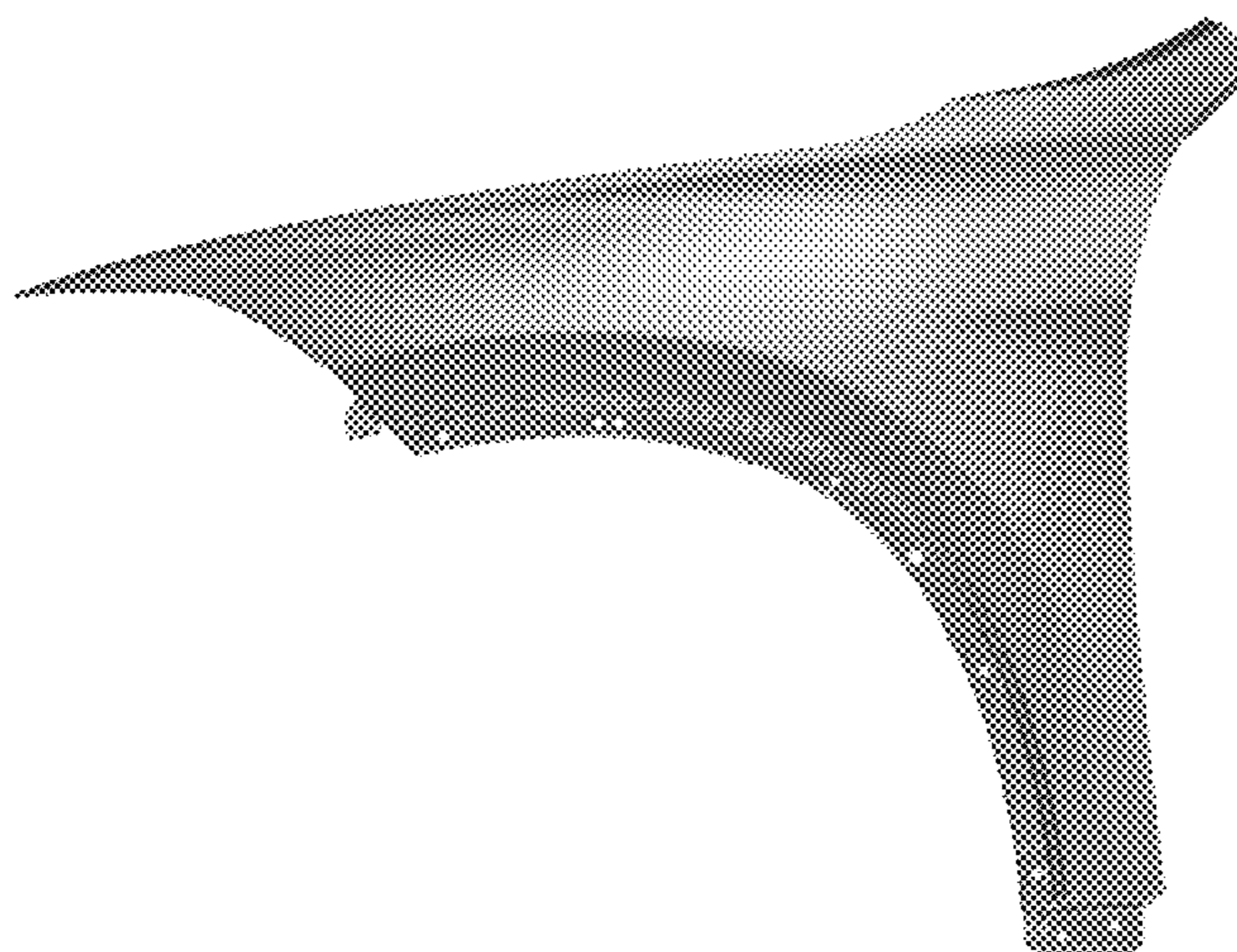
(57) **CLAIM**  
The ornamental design for a motor vehicle front fender, as shown and described.

**DESCRIPTION**

This application contains subject matter related to the following co-pending U.S. design patent application: Application Ser. No. 29/530,451, filed herewith and entitled "Vehicle, Toy, and/or Replicas Thereof". FIG. 1 is a front view of a motor vehicle front fender according to the design; FIG. 2 is a left, front perspective view thereof; FIG. 3 is a right, front perspective view thereof; FIG. 4 is a left side view thereof; FIG. 5 is a right side view thereof; FIG. 6 is a top view thereof; FIG. 7 is a bottom view thereof; and, FIG. 8 is a rear view thereof.

**1 Claim, 8 Drawing Sheets**

(56) **References Cited**  
**U.S. PATENT DOCUMENTS**  
D561,667 S \* 2/2008 Platto ..... D12/184  
D607,797 S \* 1/2010 Walter ..... D12/184  
D607,798 S 1/2010 Weil  
D665,319 S \* 8/2012 Huet ..... D12/184  
D679,642 S \* 4/2013 Schmeckpeper ..... D12/184  
D686,125 S \* 7/2013 McCabe ..... D12/184  
D707,600 S 6/2014 Johnson  
D709,010 S \* 7/2014 Mays ..... D12/184  
D712,811 S 9/2014 Selvaag



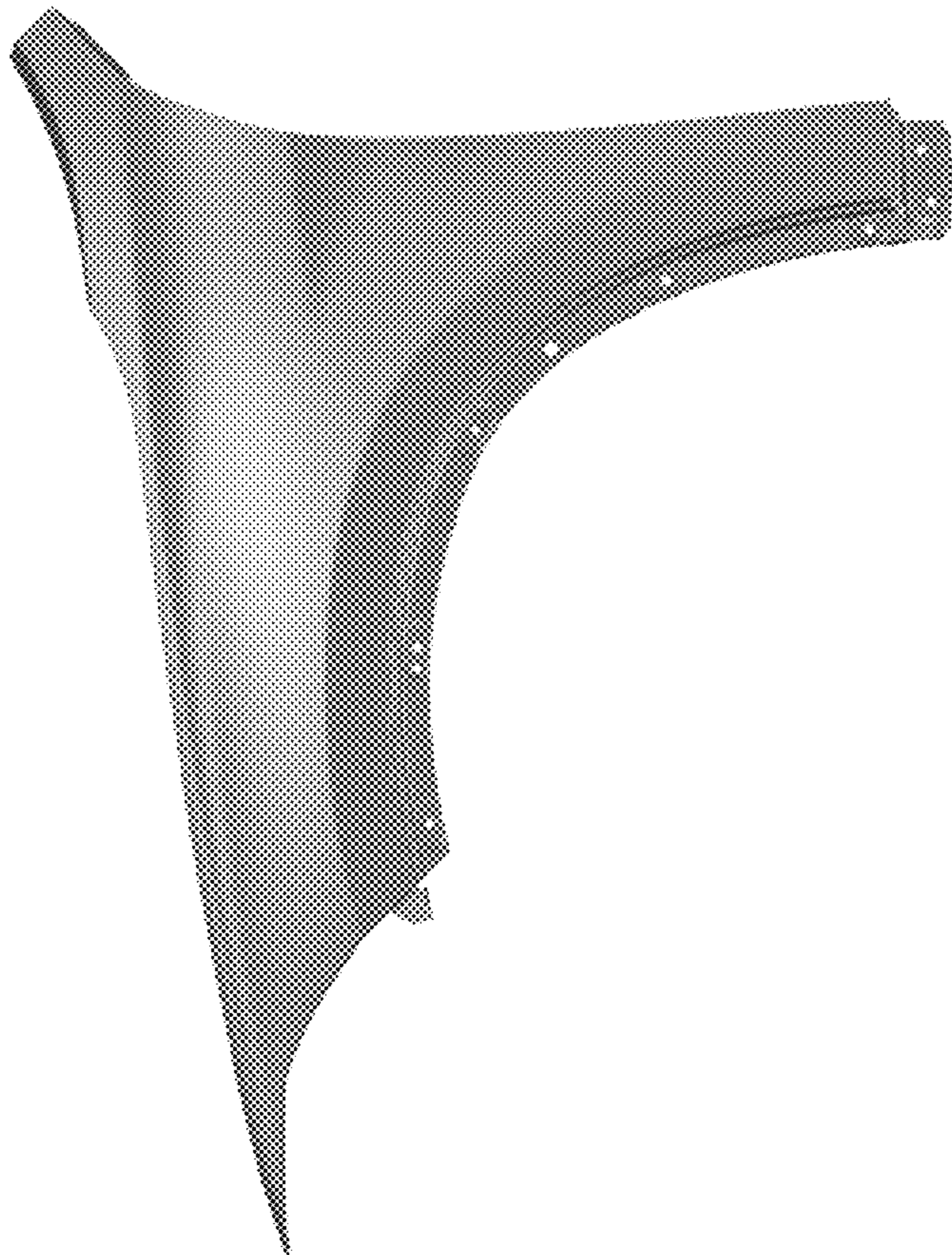


Fig. 1

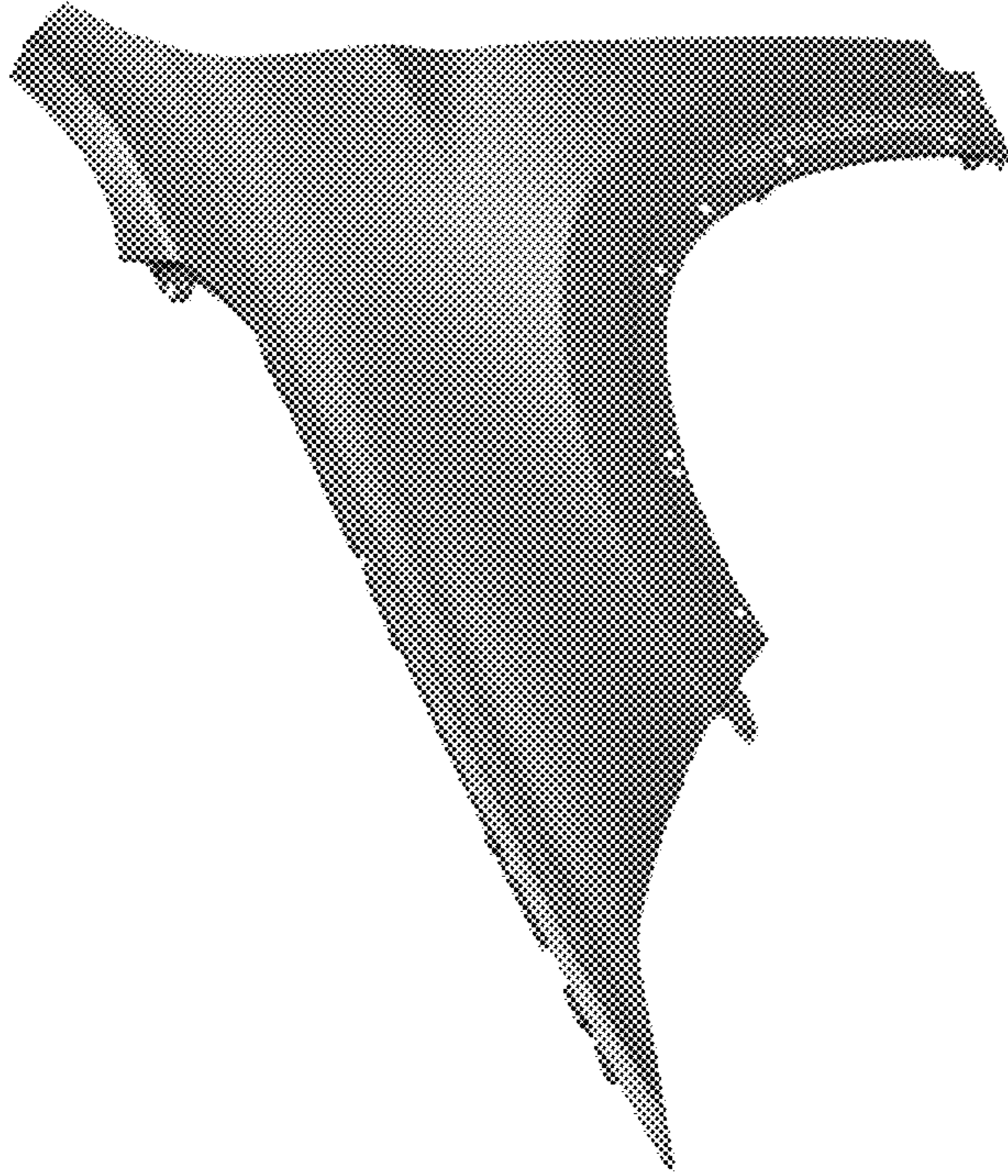


Fig. 2

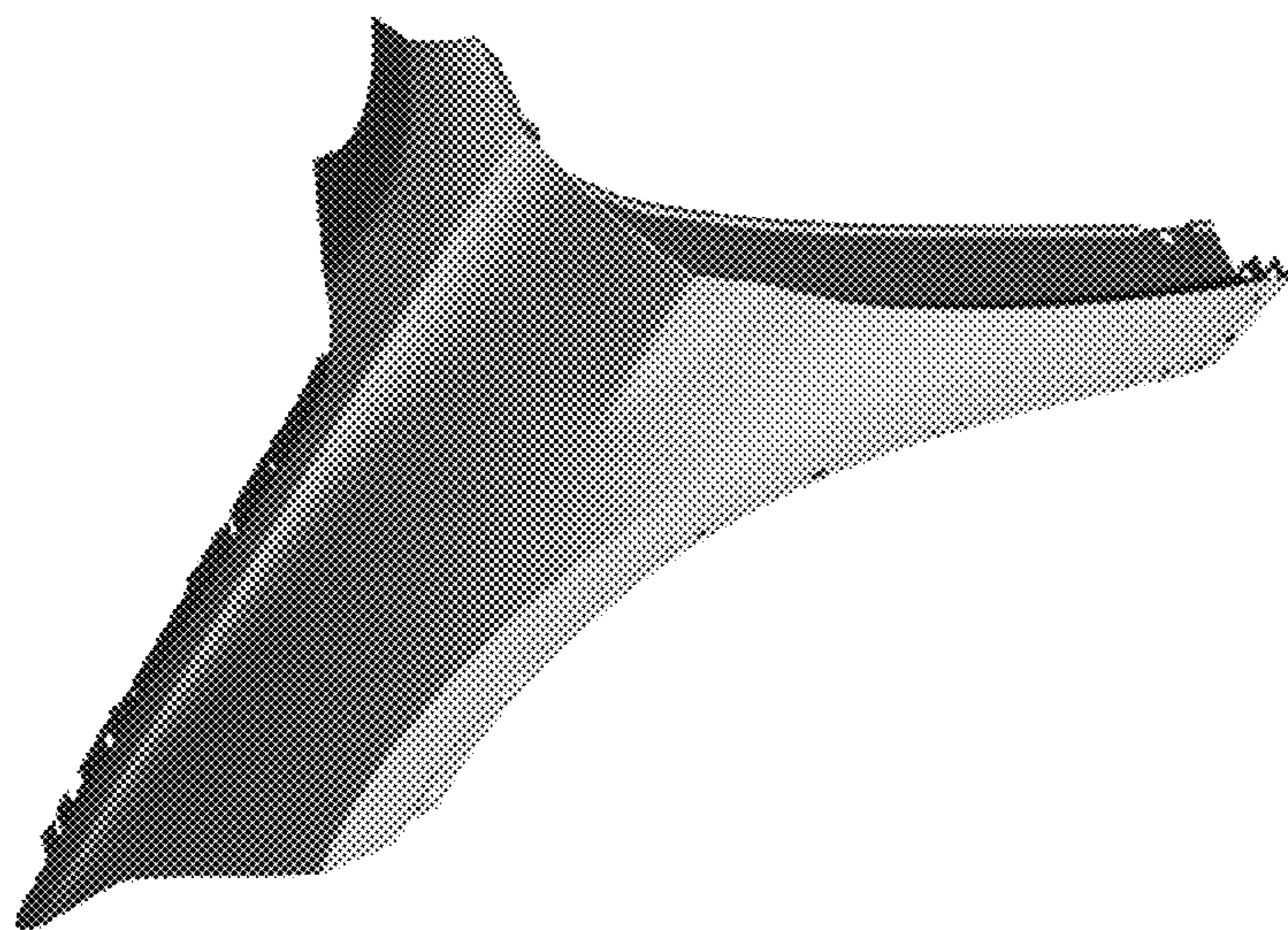


Fig. 3

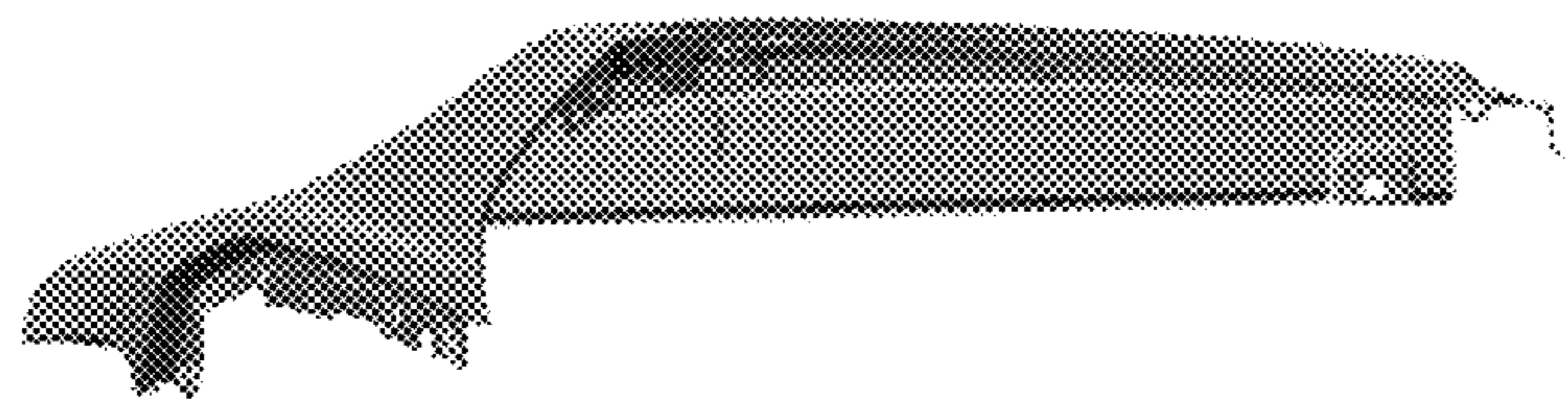


Fig. 4



Fig. 5

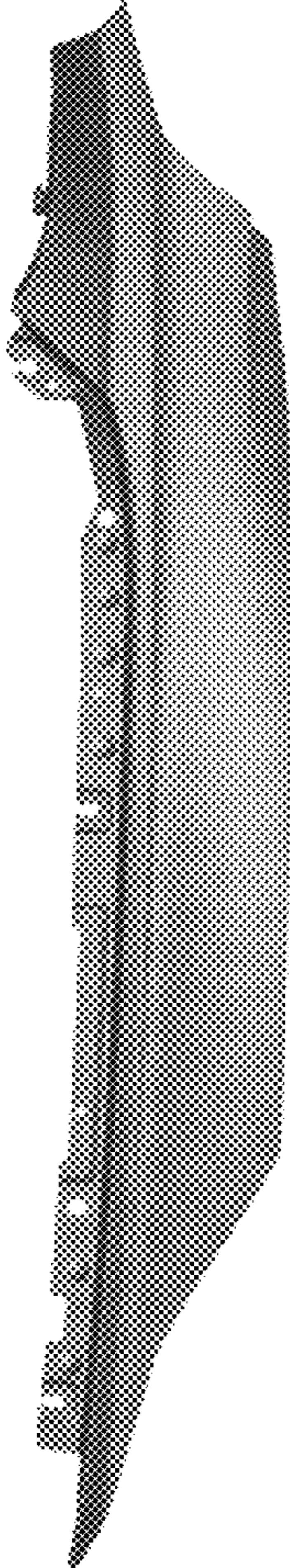


Fig. 6

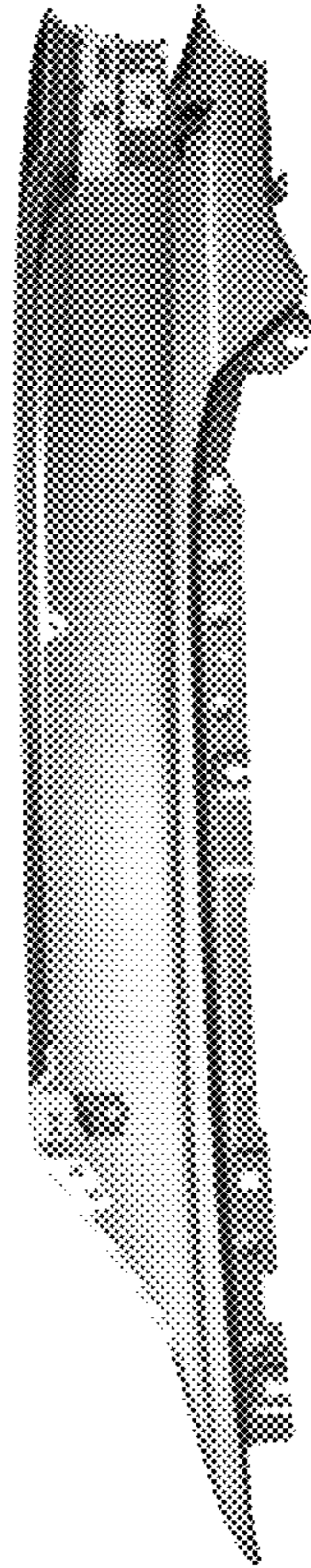


Fig. 7



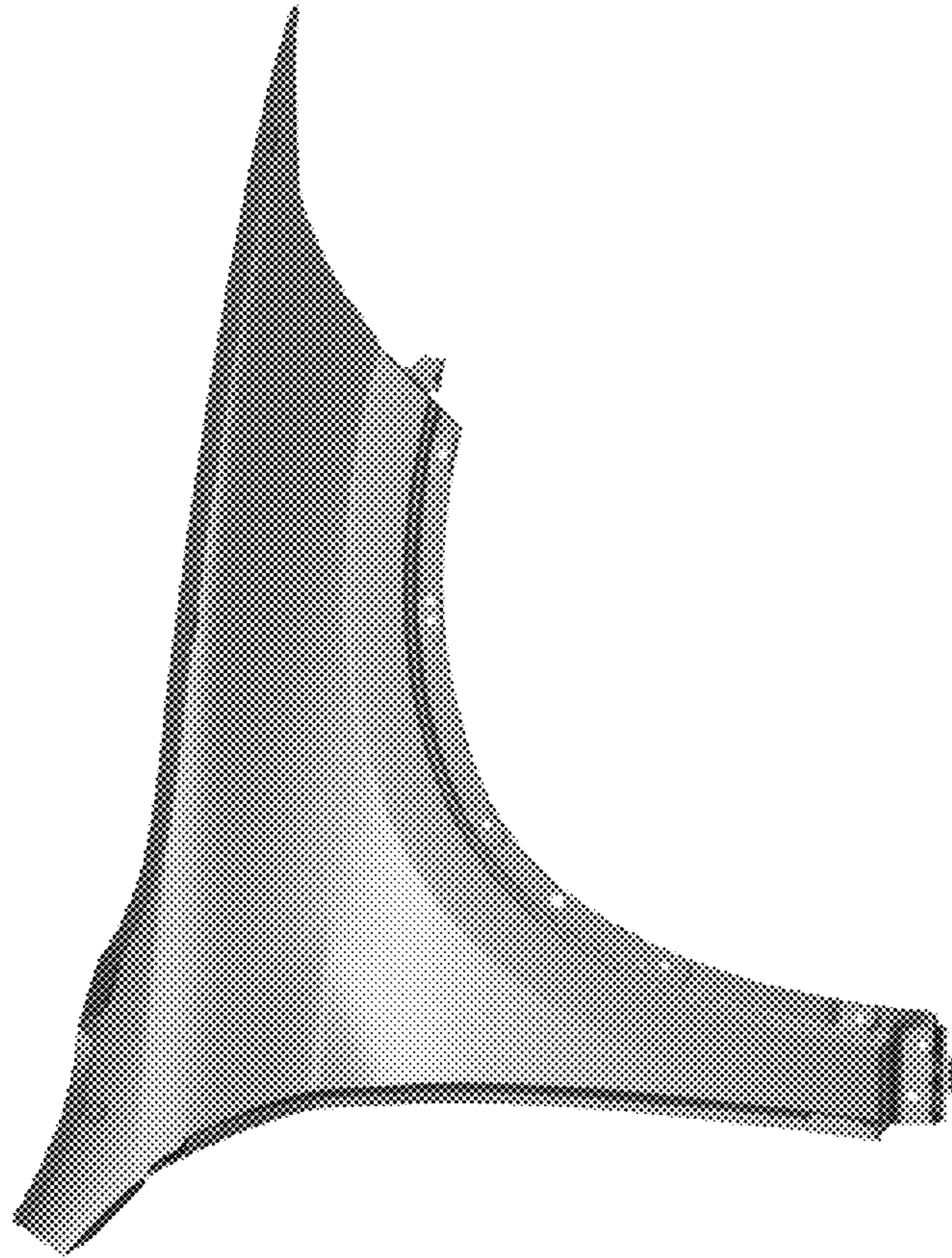


Fig. 8