



US00D762150S

(12) **United States Design Patent**
Ernstsson et al.

(10) **Patent No.:** **US D762,150 S**

(45) **Date of Patent:** **** Jul. 26, 2016**

(54) **AUTOMOBILE CONTROL COMPONENT**

(56) **References Cited**

(71) Applicant: **Volvo Car Corporation**, Göteborg (SE)

U.S. PATENT DOCUMENTS

(72) Inventors: **Axel Ernstsson**, Gothenburg (SE);
Sven-Olof Persson, Molnlycke (SE)

D167,655 S *	9/1952	Pilkey	D12/200
D393,617 S *	4/1998	Smith	D12/197
D449,026 S *	10/2001	Tsay	D12/192
D474,434 S *	5/2003	Pfeiffer	D12/192
D535,926 S *	1/2007	Anderson	D12/192
D546,254 S *	7/2007	Teng	D12/190
D575,711 S *	8/2008	Johannsen	D12/192
D578,048 S *	10/2008	Wyszogrod	D12/192
D600,191 S *	9/2009	Wilhelm	D12/415
D602,841 S *	10/2009	Wilhelm	D12/415
D611,889 S *	3/2010	Wilhelm	D12/415
D621,760 S *	8/2010	Wiedeman	D12/192
D632,622 S *	2/2011	Fujioka	D12/192
D655,641 S *	3/2012	Richter	D11/95
D672,307 S *	12/2012	von Holzhausen	D12/415
D721,995 S *	2/2015	Johansson	D12/192
D739,337 S *	9/2015	Persson	D12/415
2007/0247420 A1 *	10/2007	Strohband	H01H 13/84 345/156

(73) Assignee: **VOLVO CAR CORPORATION**,
Gothenburg (SE)

(**) Term: **14 Years**

(21) Appl. No.: **29/515,708**

(22) Filed: **Jan. 26, 2015**

Related U.S. Application Data

(62) Division of application No. 29/479,585, filed on Jan. 17, 2014, now Pat. No. Des. 740,732.

* cited by examiner

Primary Examiner — George D Kirschbaum

Assistant Examiner — Clese Moore, Jr.

(74) *Attorney, Agent, or Firm* — Harness, Dickey & Pierce, P.L.C.

(30) **Foreign Application Priority Data**

Jul. 18, 2013	(EM)	002276550-0009
Jul. 18, 2013	(EM)	002276550-0010
Jul. 18, 2013	(EM)	002276550-0013

(57) **CLAIM**

The ornamental design for an automobile control component, as shown and described.

(51) **LOC (10) Cl.** **12-16**

(52) **U.S. Cl.**
USPC **D12/174**

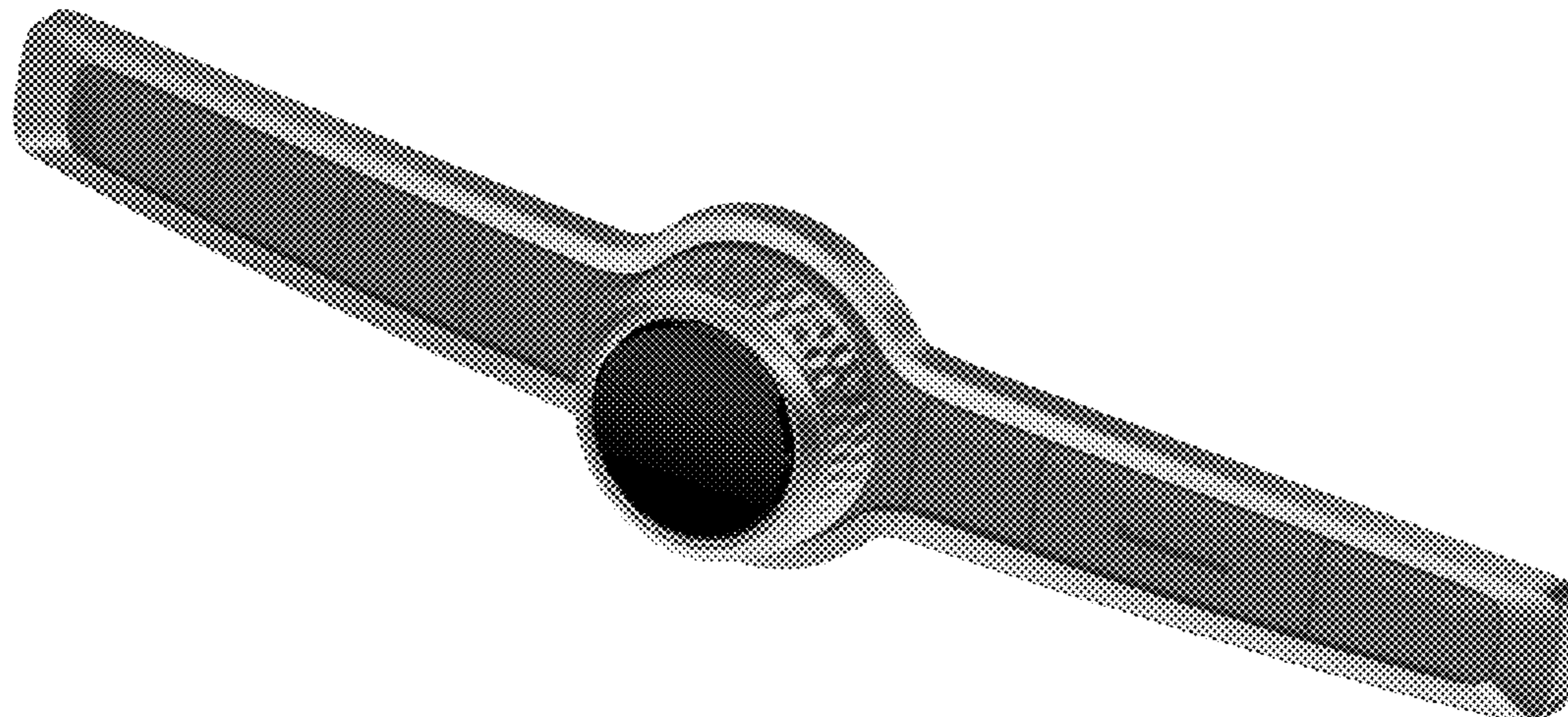
DESCRIPTION

(58) **Field of Classification Search**
USPC D12/147, 177, 195, 190, 400, 415, 192;
D14/133, 162, 175
CPC B60R 16/37; B60K 37/06; B60K 37/02;
B60K 37/00; B60K 2350/104; B60K
2350/1024; B60K 2350/1052

FIG. 1 is a perspective view of an automobile control component as a play module;
FIG. 2 is a front plan view thereof;
FIG. 3 is a top plan view thereof;
FIG. 4 is a left side elevational view thereof;
FIG. 5 is a right side elevational view thereof; and,
FIG. 6 is a bottom plan view thereof.

See application file for complete search history.

1 Claim, 3 Drawing Sheets



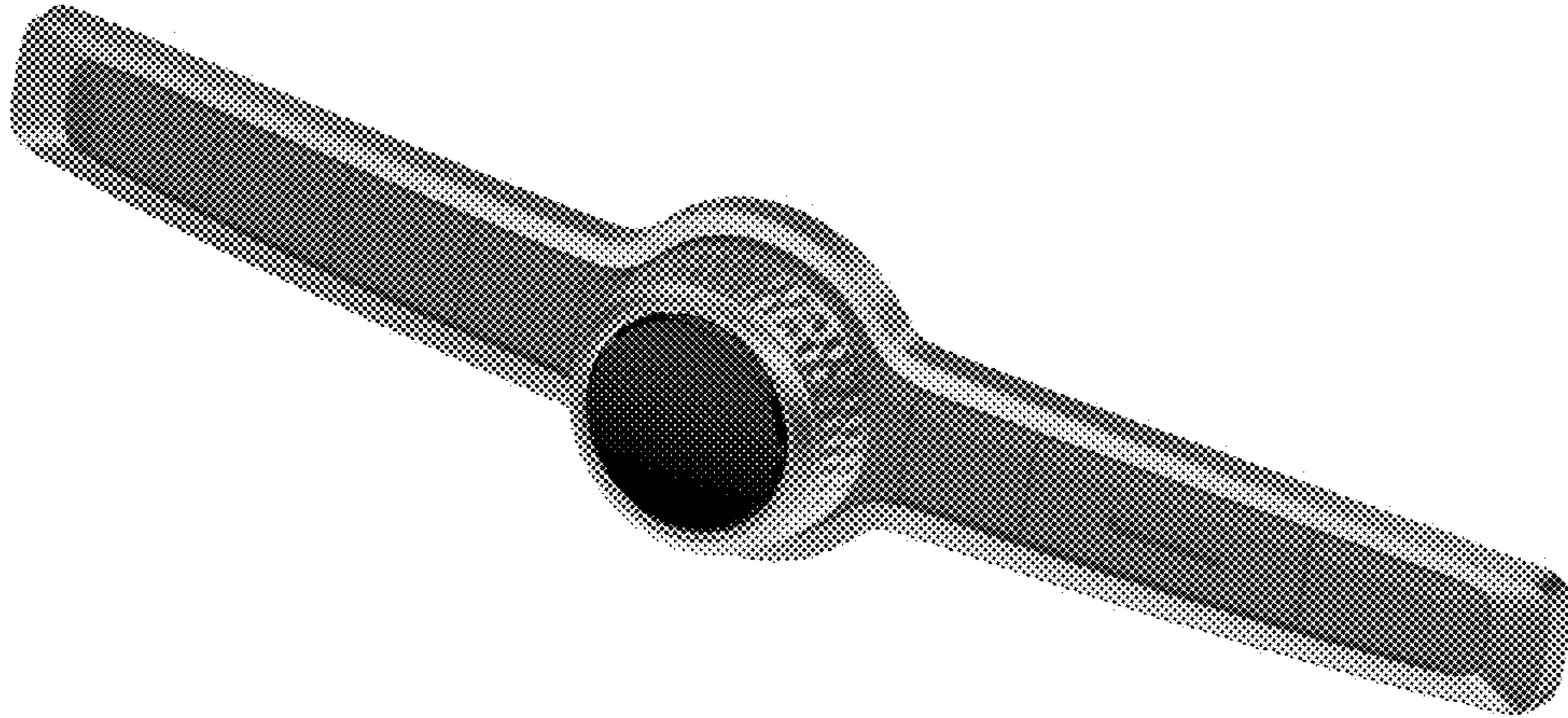


Figure 1

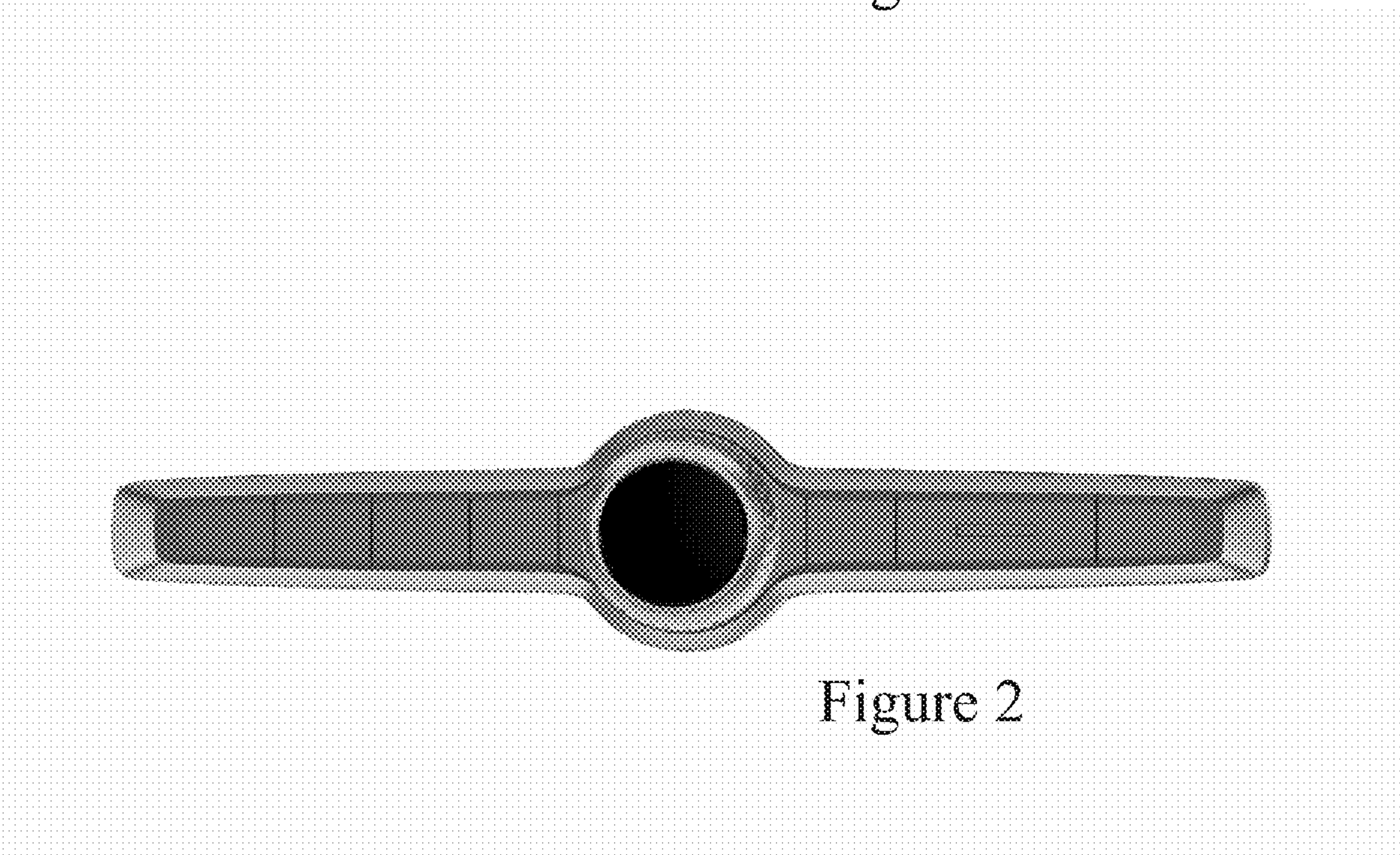


Figure 2

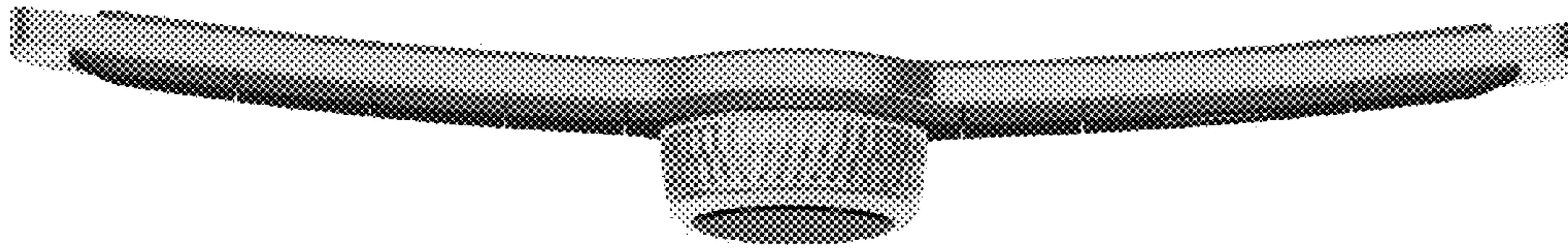


Figure 3

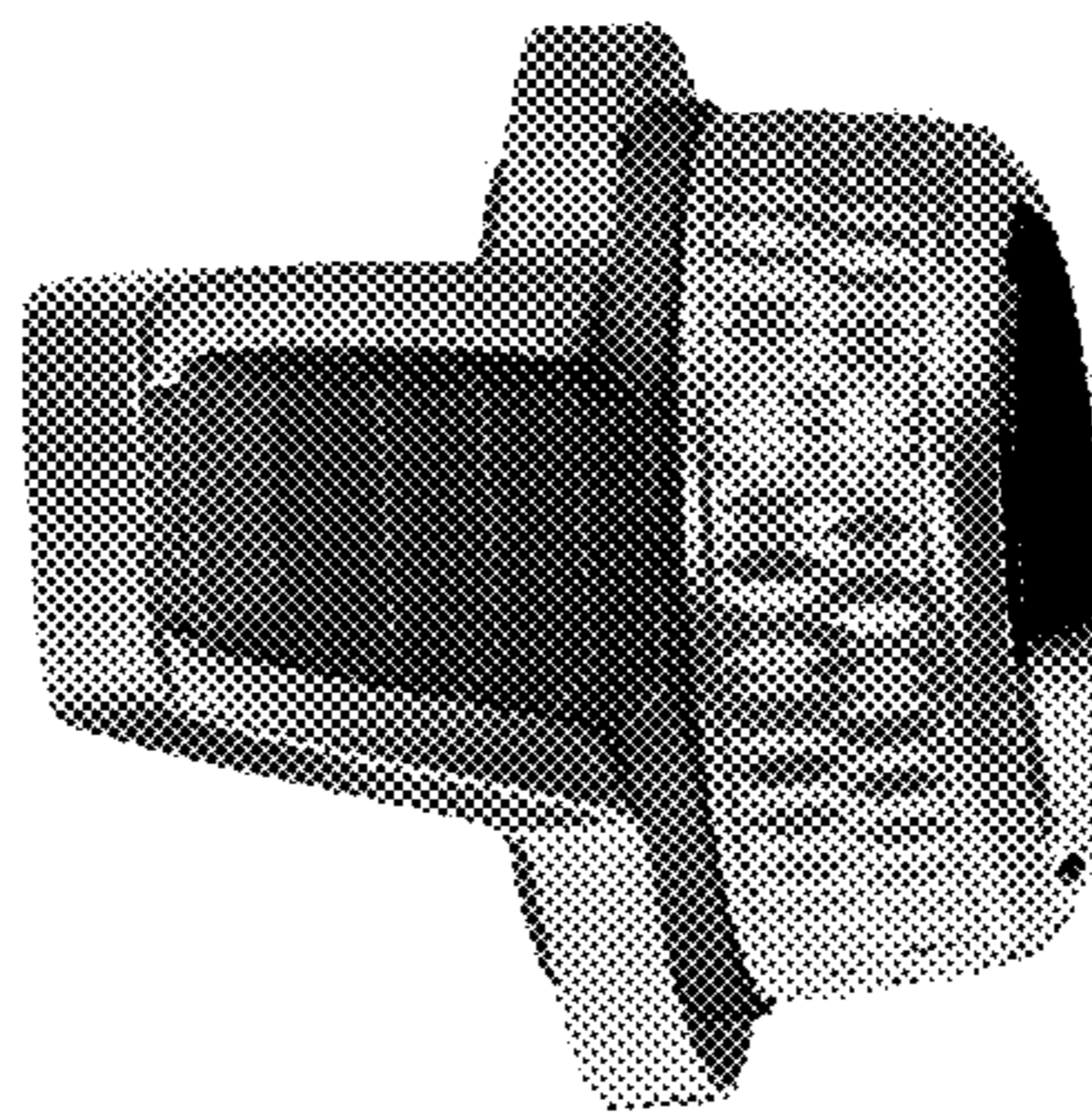


Figure 4

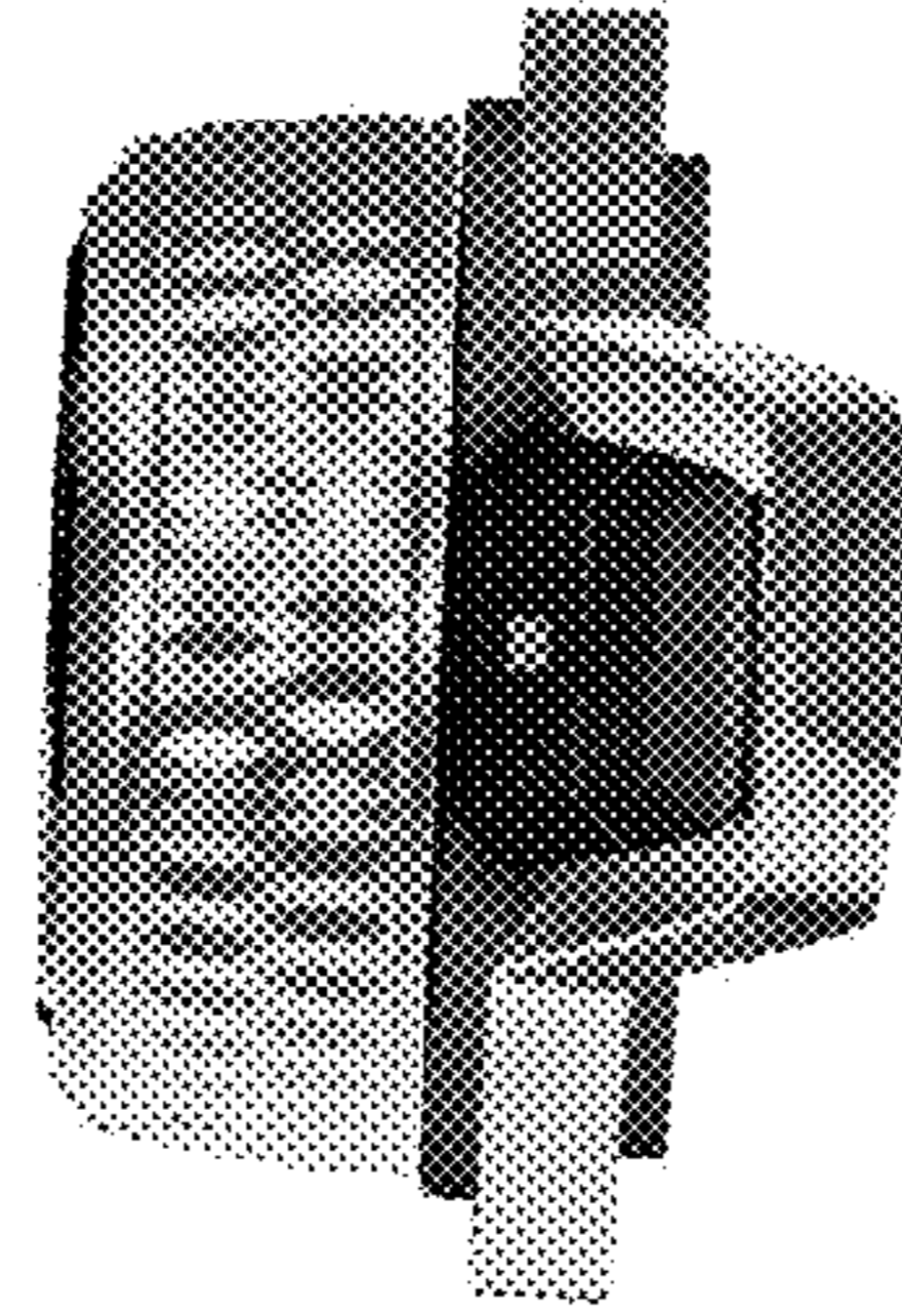


Figure 5

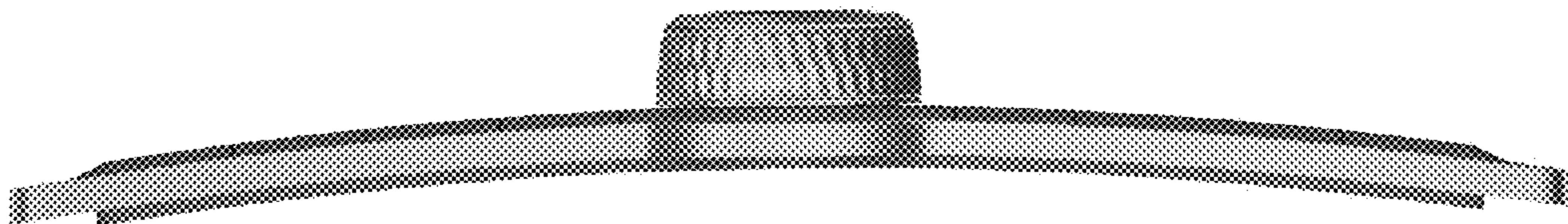


Figure 6