

US00D762148S

(12) **United States Design Patent**
Platto et al.

(10) **Patent No.:** **US D762,148 S**
(45) **Date of Patent:** **** Jul. 26, 2016**

(54) **VEHICLE HOOD**

(71) Applicant: **Ford Motor Company**, Dearborn, MI (US)

(72) Inventors: **Gordon M Platto**, Troy, MI (US);
Bradley A Richards, Beverly Hills, MI (US); **Dong H Park**, Royal Oak, MI (US); **Anthony Meyer**, Ferndale, MI (US)

(73) Assignee: **Ford Motor Company**, Dearborn, MI (US)

(**) Term: **14 Years**

(21) Appl. No.: **29/513,862**

(22) Filed: **Jan. 6, 2015**

(51) **LOC (10) Cl.** **12-16**

(52) **U.S. Cl.**
USPC **D12/173**

(58) **Field of Classification Search**
USPC D12/173, 196, 86, 90-92, 181;
180/69.21, 69.2, 69.22;
296/190.1-190.5, 190.8, 193.11, 37.6
CPC B62D 25/10; B62D 25/06; B62D 65/02;
B62D 25/12; B60Q 1/00
See application file for complete search history.

(56) **References Cited**

U.S. PATENT DOCUMENTS

D469,387 S *	1/2003	Ramaciotti	D12/88
D712,323 S *	9/2014	Mays	D12/173
D718,683 S *	12/2014	Thole	D12/173
D718,684 S *	12/2014	Thole	D12/173
D718,686 S *	12/2014	Hammoud	D12/173
D721,307 S *	1/2015	Platto	D12/173
D735,625 S *	8/2015	Mays	D12/173
D739,789 S *	9/2015	Payne	D12/92
D740,187 S *	10/2015	Jamieson	D12/173

* cited by examiner

Primary Examiner — Melody N Brown

(74) *Attorney, Agent, or Firm* — Damian Porcari

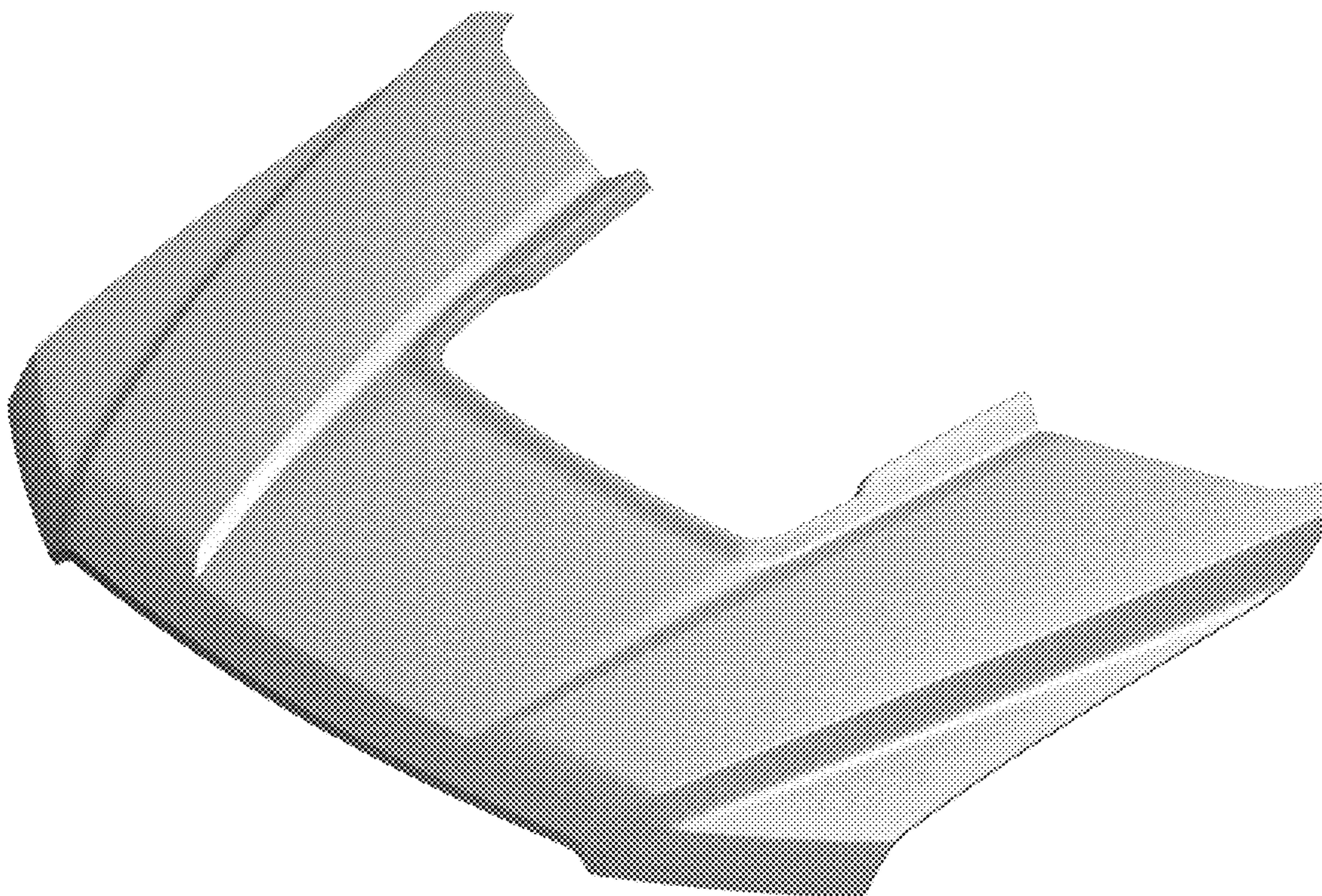
(57) **CLAIM**

The ornamental design for a vehicle hood, as shown and described.

DESCRIPTION

FIG. 1 is a top left perspective view of a vehicle hood;
FIG. 2 is a top right perspective view thereof;
FIG. 3 is a top rear perspective view thereof;
FIG. 4 is a front elevational view thereof;
FIG. 5 is a rear elevational view thereof;
FIG. 6 is a left side elevational view thereof;
FIG. 7 is a right side elevational view thereof;
FIG. 8 is a top plan view thereof; and,
FIG. 9 is a bottom plan view thereof.

1 Claim, 9 Drawing Sheets



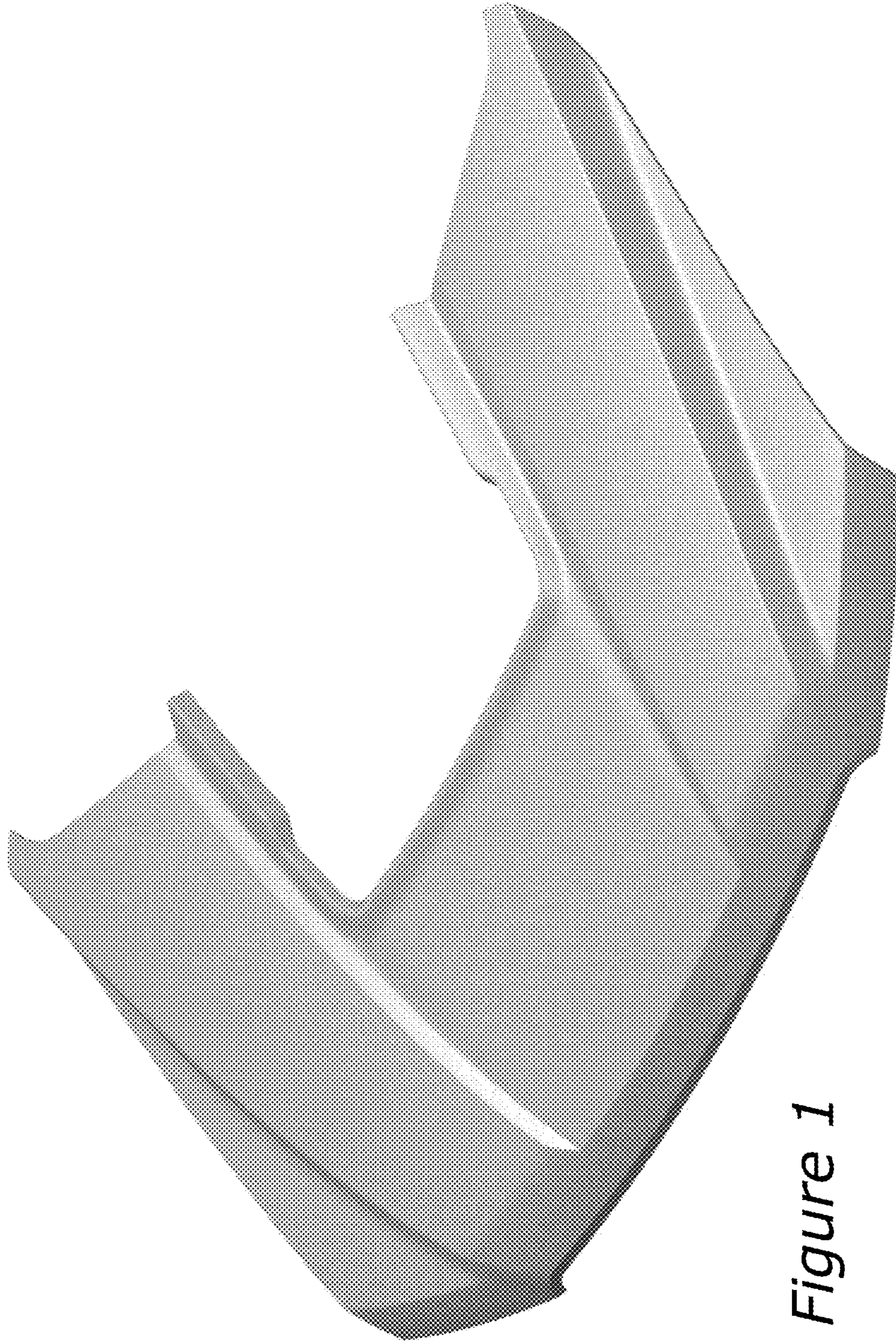


Figure 1

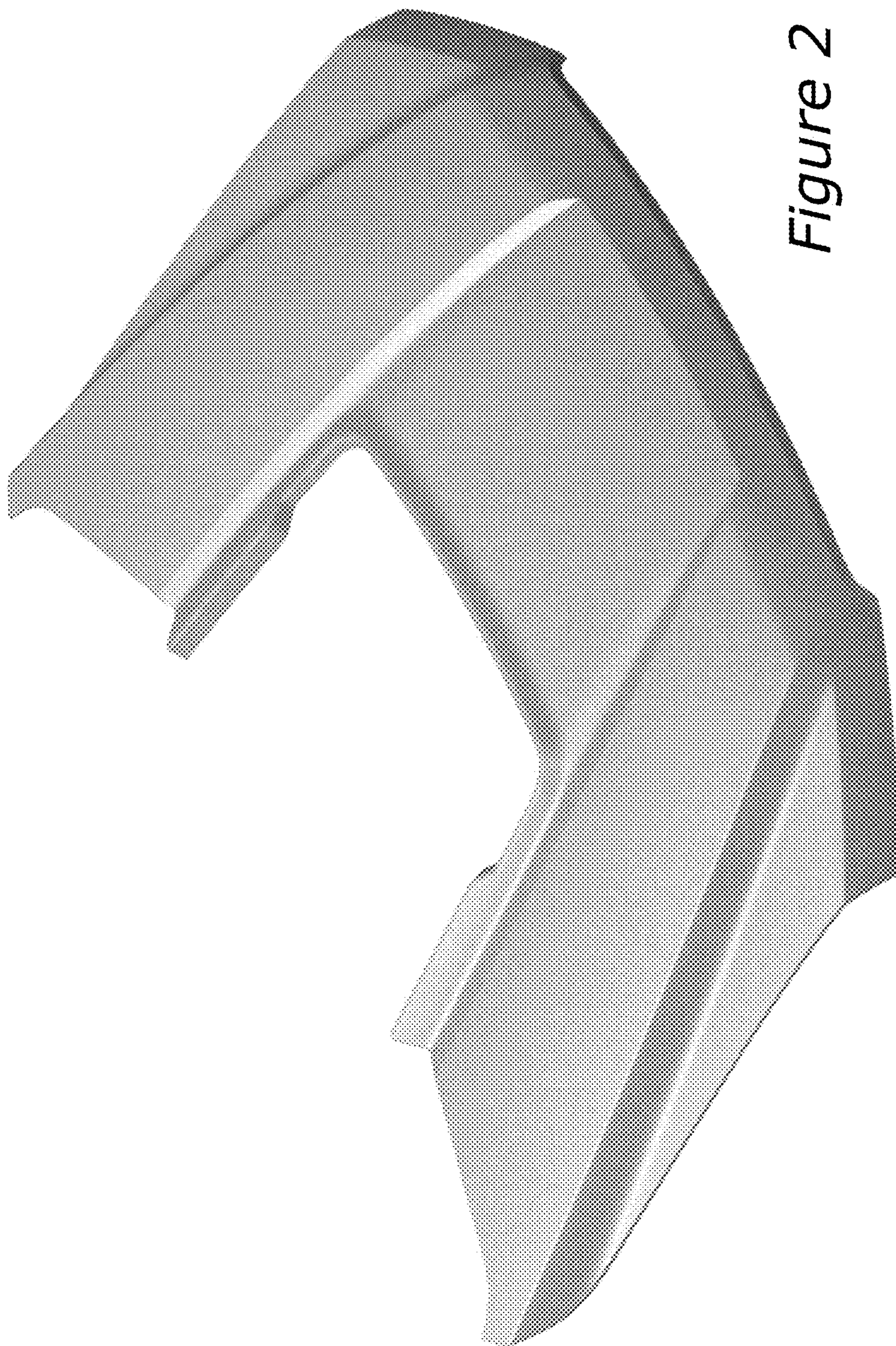


Figure 2



Figure 3

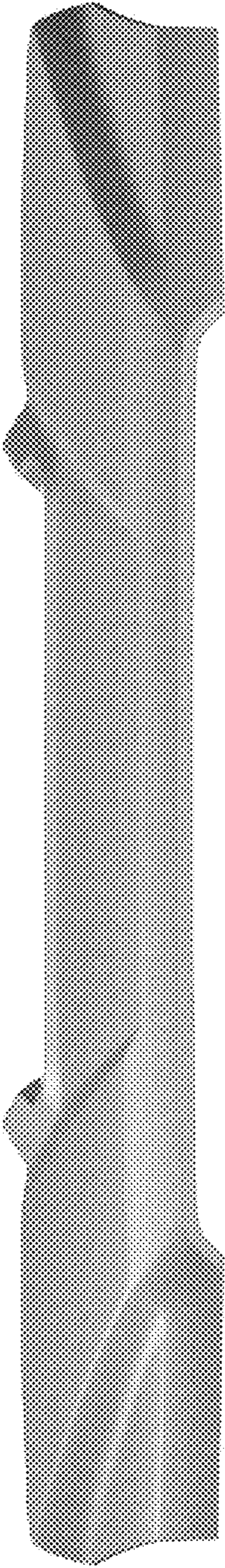


Figure 4

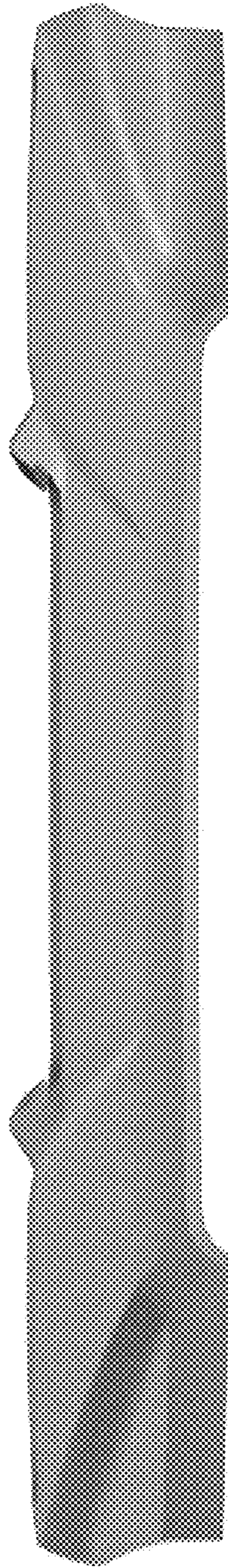


Figure 5

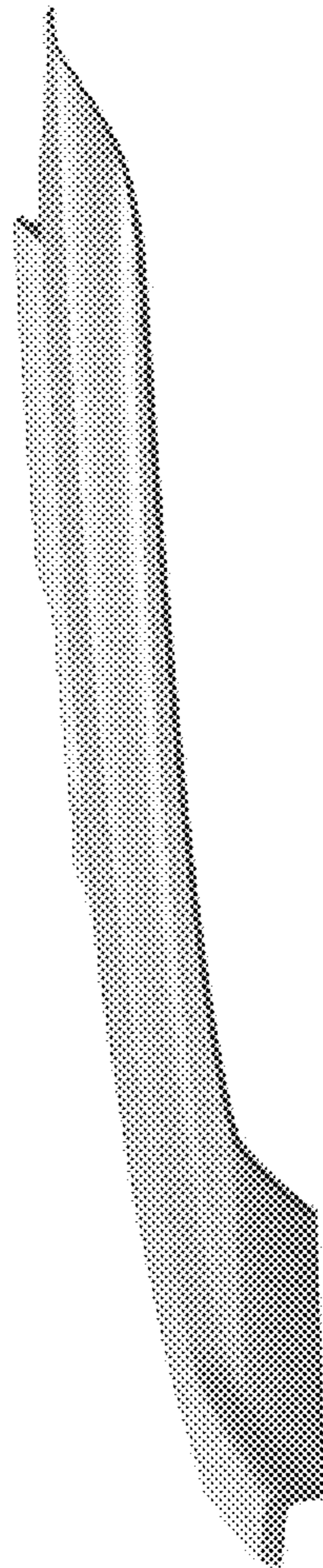


Figure 6

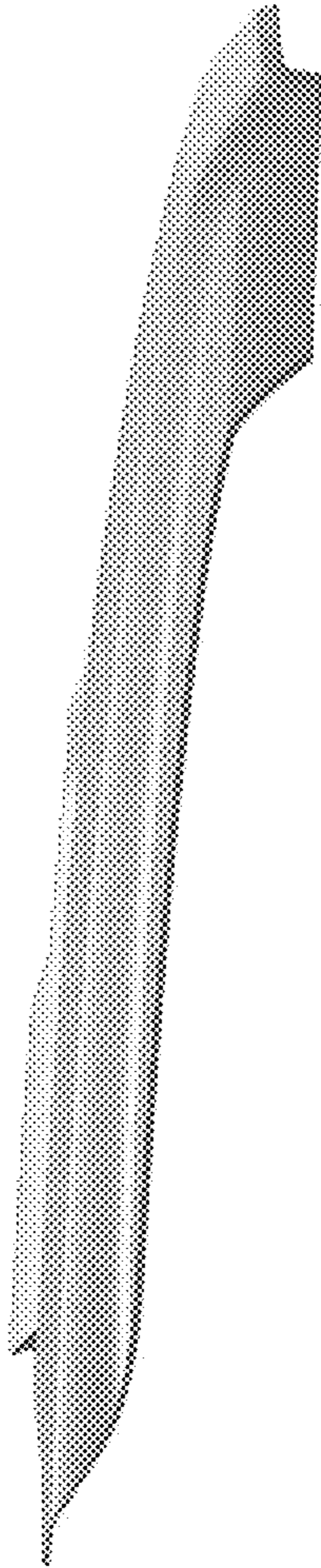


Figure 7

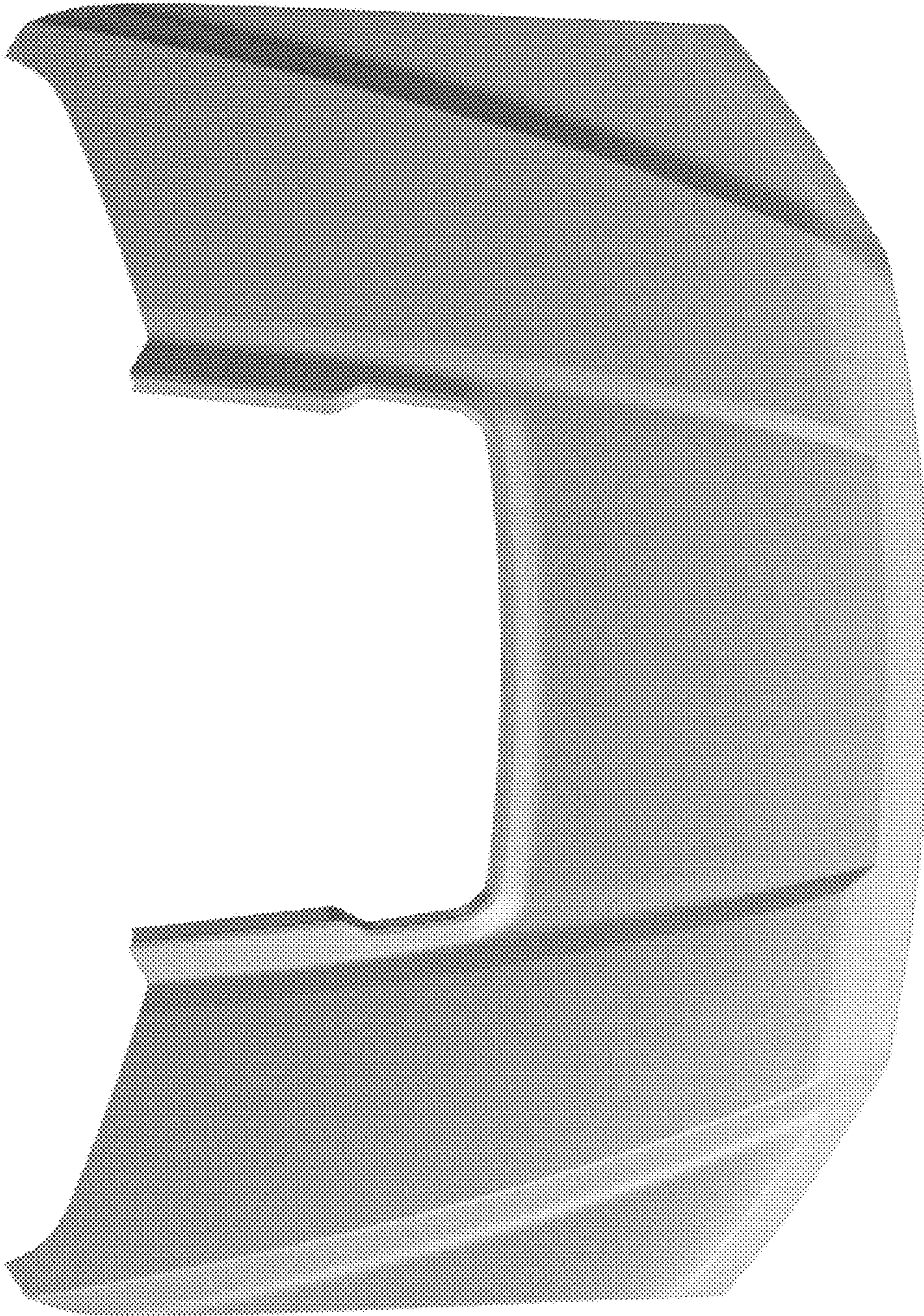


Figure 8

Figure 9

