



US00D762145S

(12) **United States Design Patent**
Van Bosstraeten et al.

(10) **Patent No.:** **US D762,145 S**
(45) **Date of Patent:** **** Jul. 26, 2016**

(54) **ROAD VEHICLE TRAILER**
(71) Applicant: **ATLAS COPCO AIRPOWER, N.V.**,
Wilrijk (BE)
(72) Inventors: **Kris Frans G. Van Bosstraeten**, Wilrijk
(BE); **Martin Olof Larsson**, Örebro
(SE)
(73) Assignee: **ATLAS COPCO AIRPOWER, NV**,
Wilrijk (BE)
(**) Term: **14 Years**

D659,595 S * 5/2012 Eliason D12/102
D661,229 S * 6/2012 O'Neill D12/102
D662,444 S * 6/2012 Smoak D12/102
D664,072 S * 7/2012 Halloran D12/102
D737,725 S * 9/2015 Bell D12/102

* cited by examiner

Primary Examiner — Katrina A Betton

(74) *Attorney, Agent, or Firm* — Bacon & Thomas, PLLC

(21) Appl. No.: **29/522,186**
(22) Filed: **Mar. 27, 2015**

(30) **Foreign Application Priority Data**
Oct. 2, 2014 (EM) 002549980-0001
(51) **LOC (10) Cl.** **12-10**
(52) **U.S. Cl.**
USPC **D12/102**
(58) **Field of Classification Search**
USPC D12/101-106, 19, 129, 111-112;
D21/425, 435; D34/21-26, 12, 16-19
CPC B62D 35/02; B62D 35/00; A62B 3/005;
B60P 3/10
See application file for complete search history.

(57) **CLAIM**
The ornamental design for a road vehicle trailer, as shown.

(56) **References Cited**
U.S. PATENT DOCUMENTS
D603,299 S * 11/2009 Prusmack D12/102
D653,588 S * 2/2012 Heard D12/102

DESCRIPTION

FIG. 1 is a front perspective view of a road vehicle trailer according to the Invention.
FIG. 2 is a rear perspective view of a road vehicle trailer according to the Invention.
FIG. 3 is a rear view of a road vehicle trailer according to the Invention.
FIG. 4 is a front view of a road vehicle trailer according to the Invention.
FIG. 5 is a left side view of a road vehicle trailer according to the Invention.
FIG. 6 is a rear perspective view of a road vehicle trailer according to the Invention, displaying an open door.
FIG. 7 is a front perspective view of a road vehicle trailer according to the Invention, displaying an open door.
FIG. 8 is a right side view of a road vehicle trailer according to the Invention; and,
FIG. 9 is a top view of a road vehicle trailer according to the Invention.

1 Claim, 9 Drawing Sheets

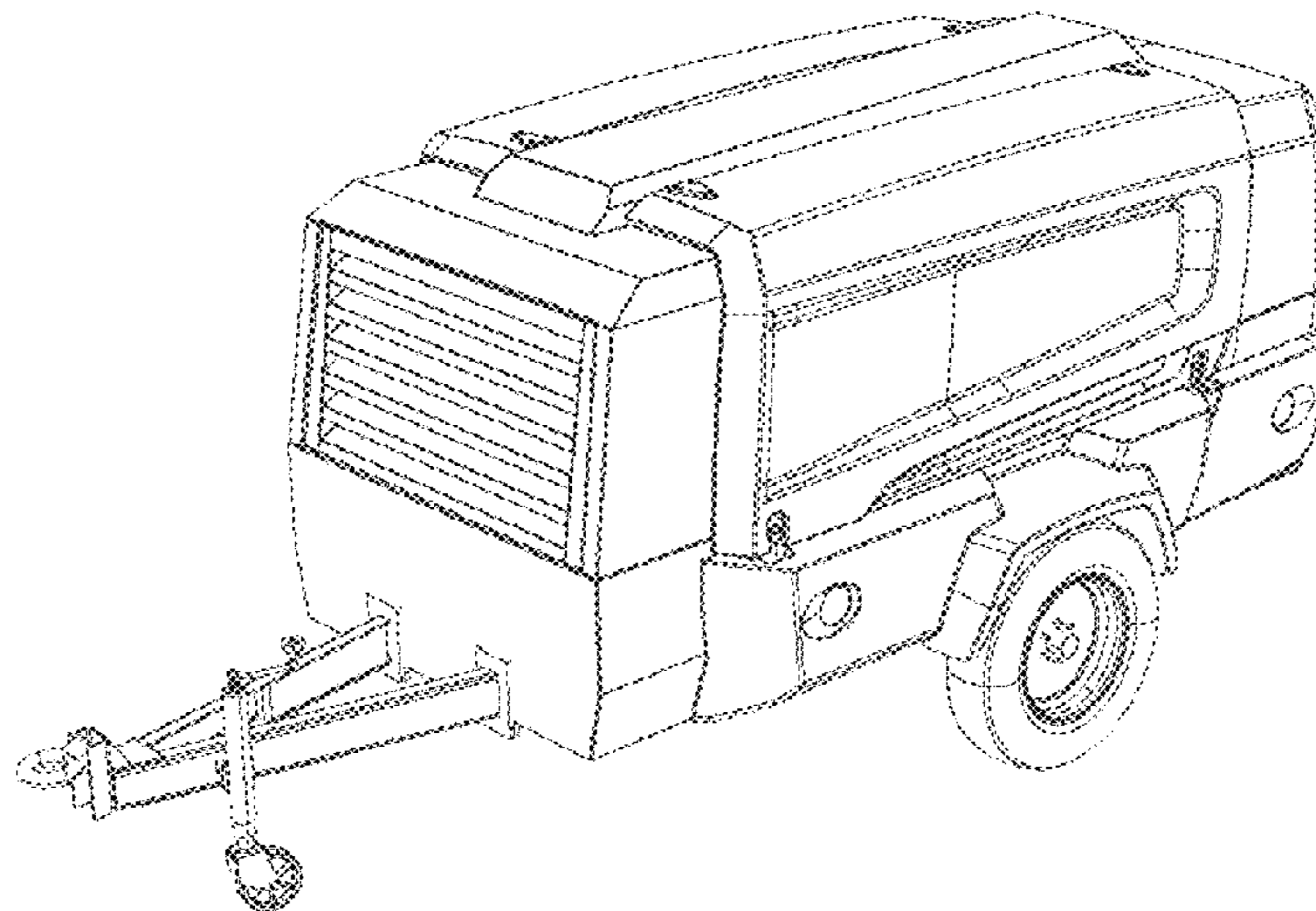


FIG. 1

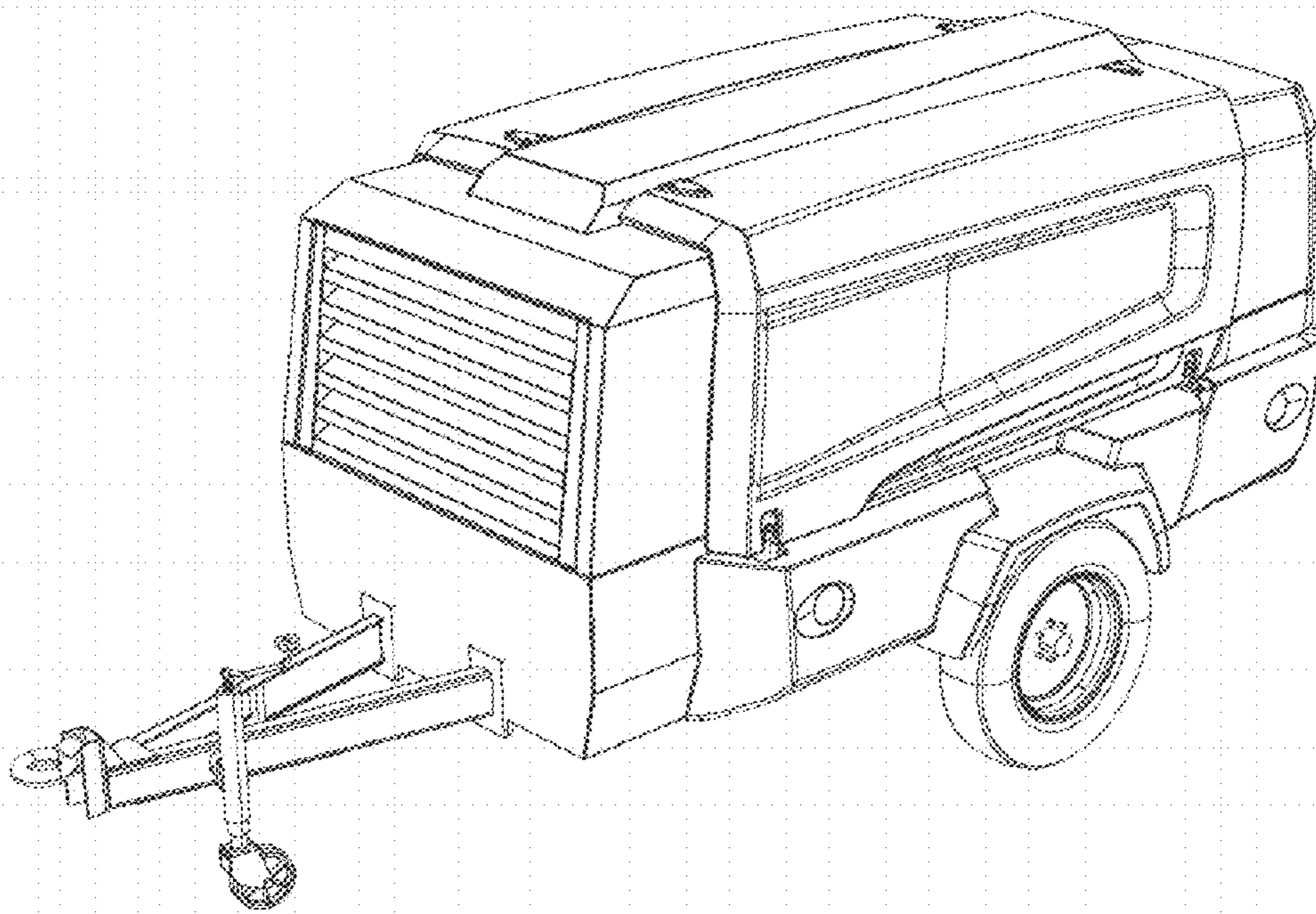


FIG. 2

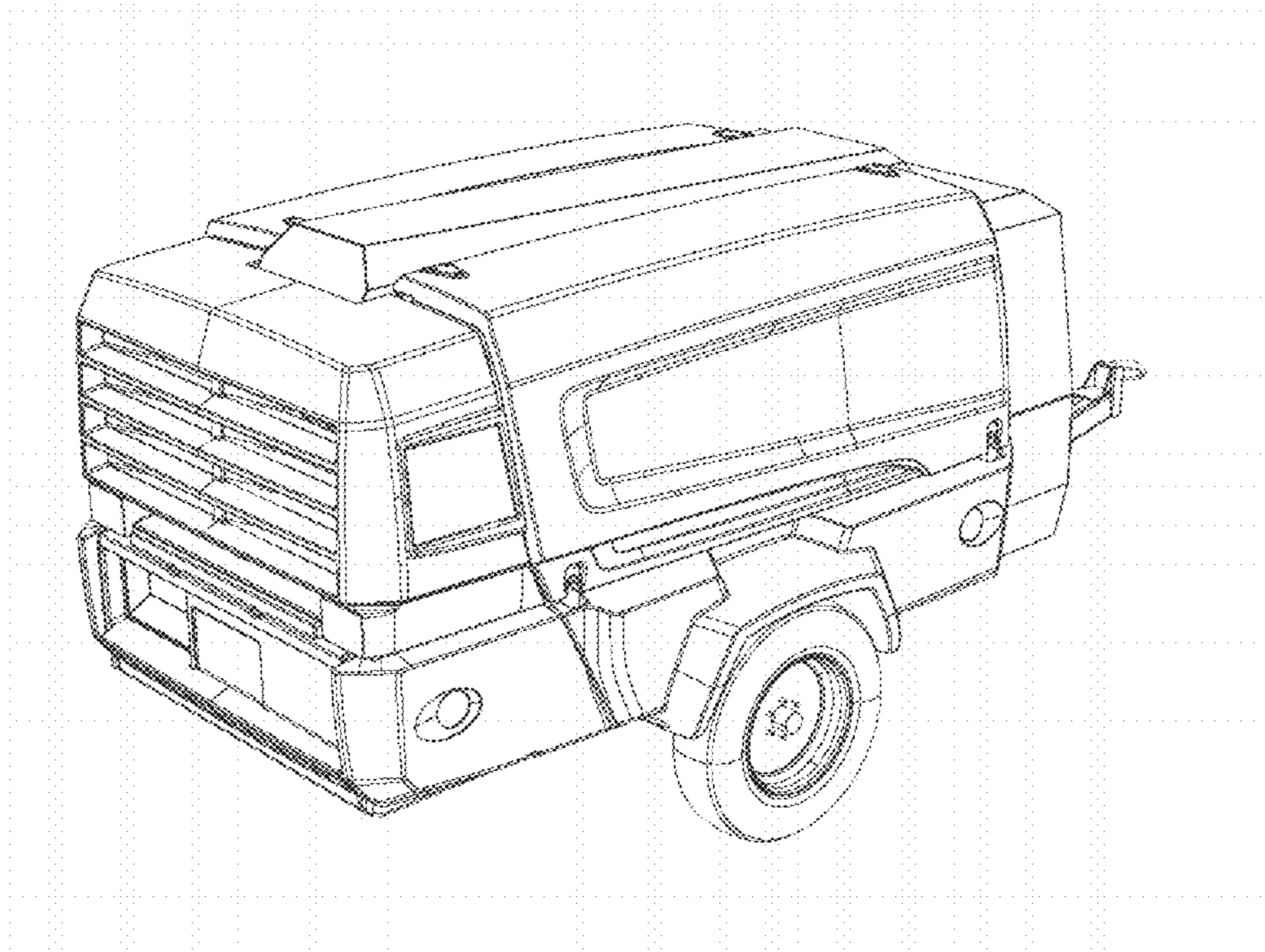


FIG. 3

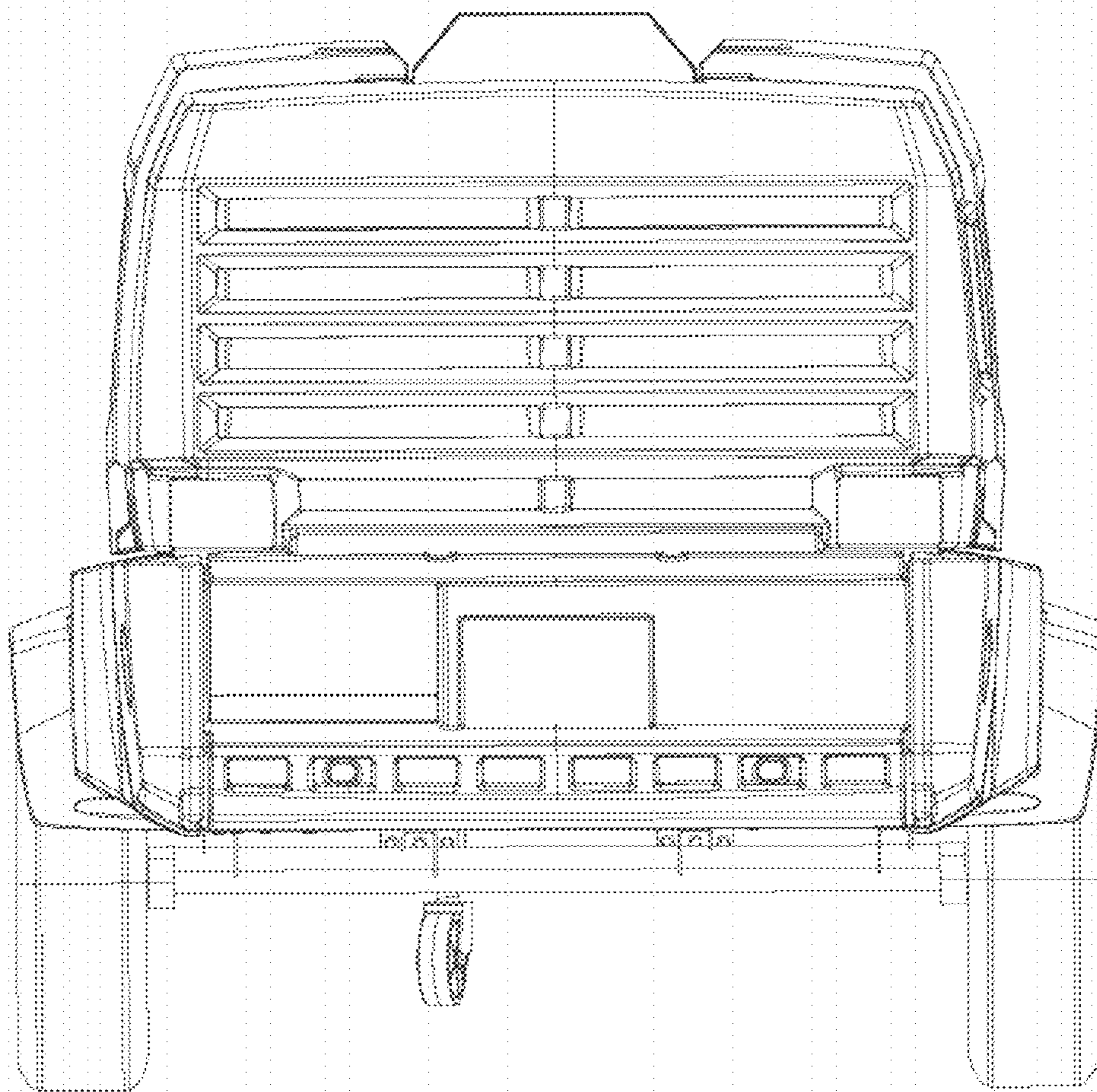


FIG. 4

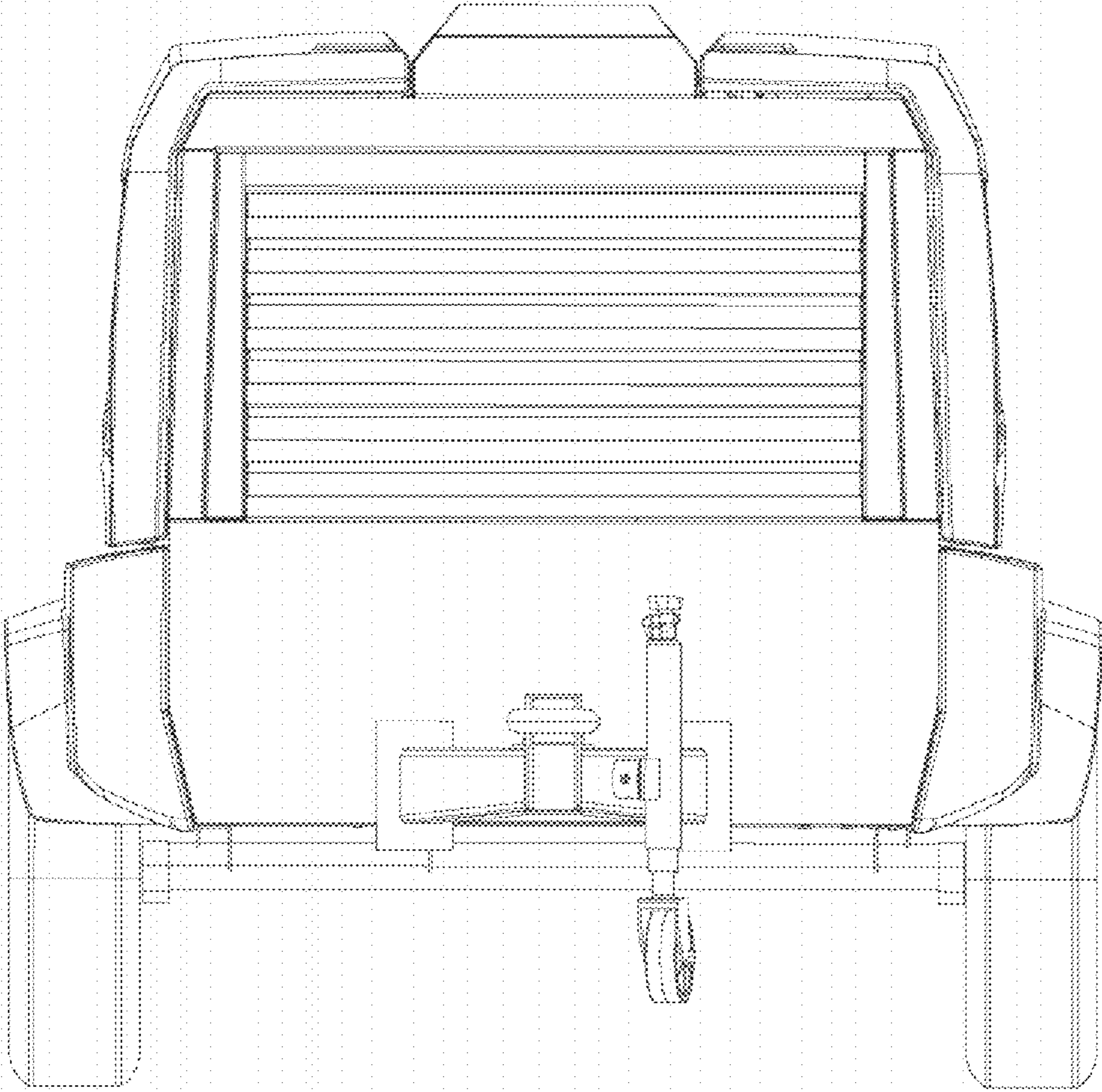


FIG. 5

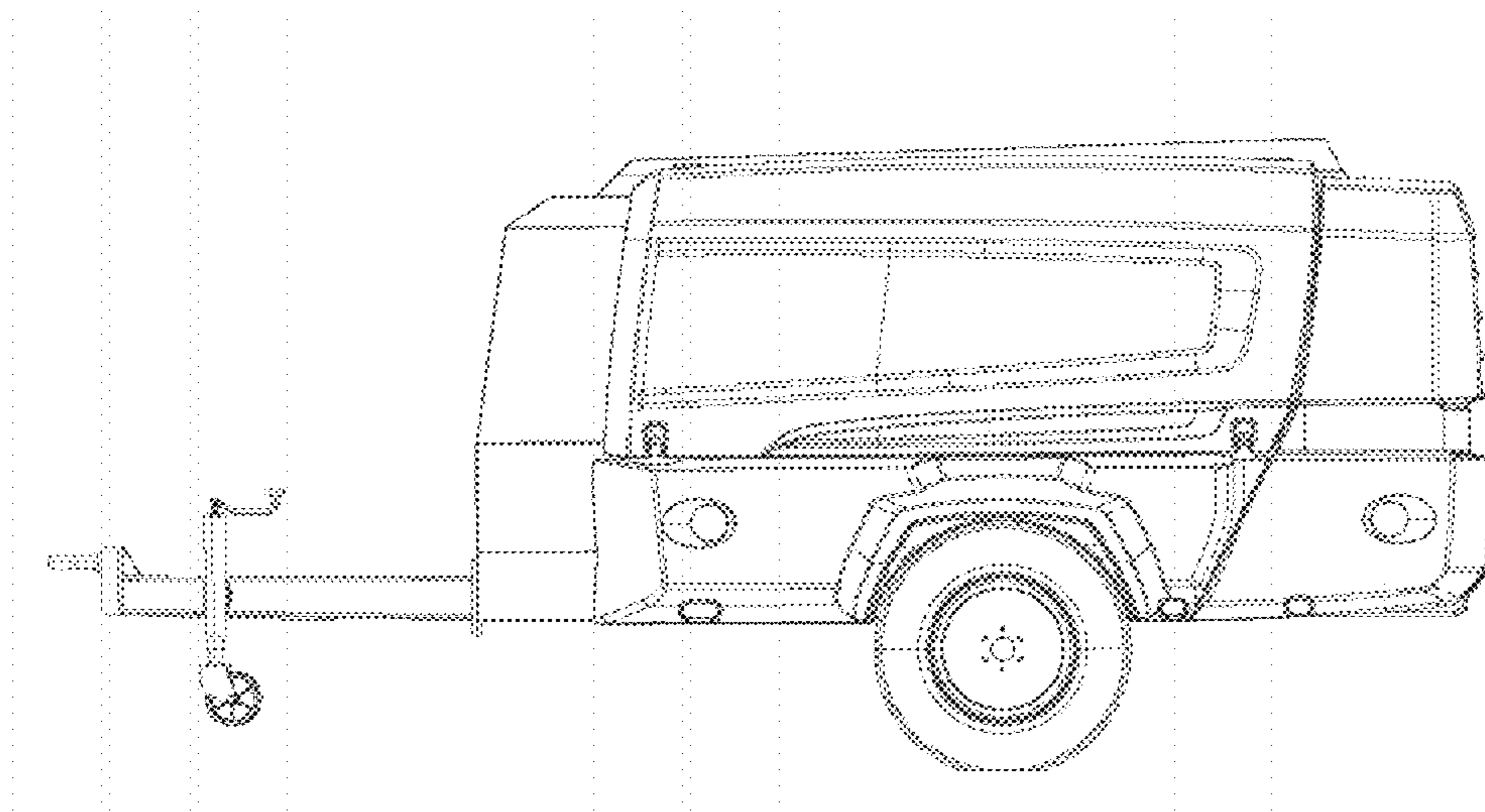


FIG. 6

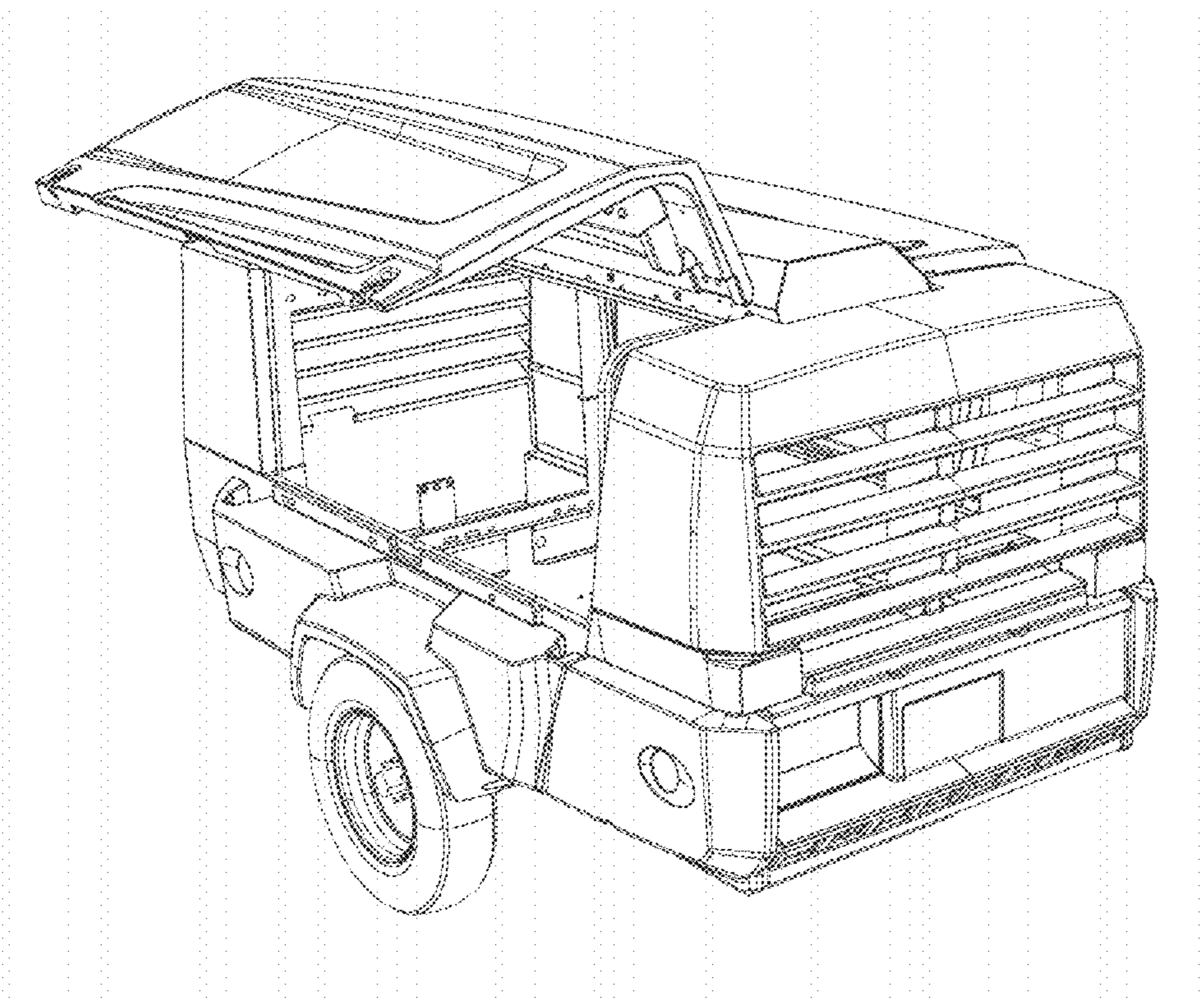


FIG. 7

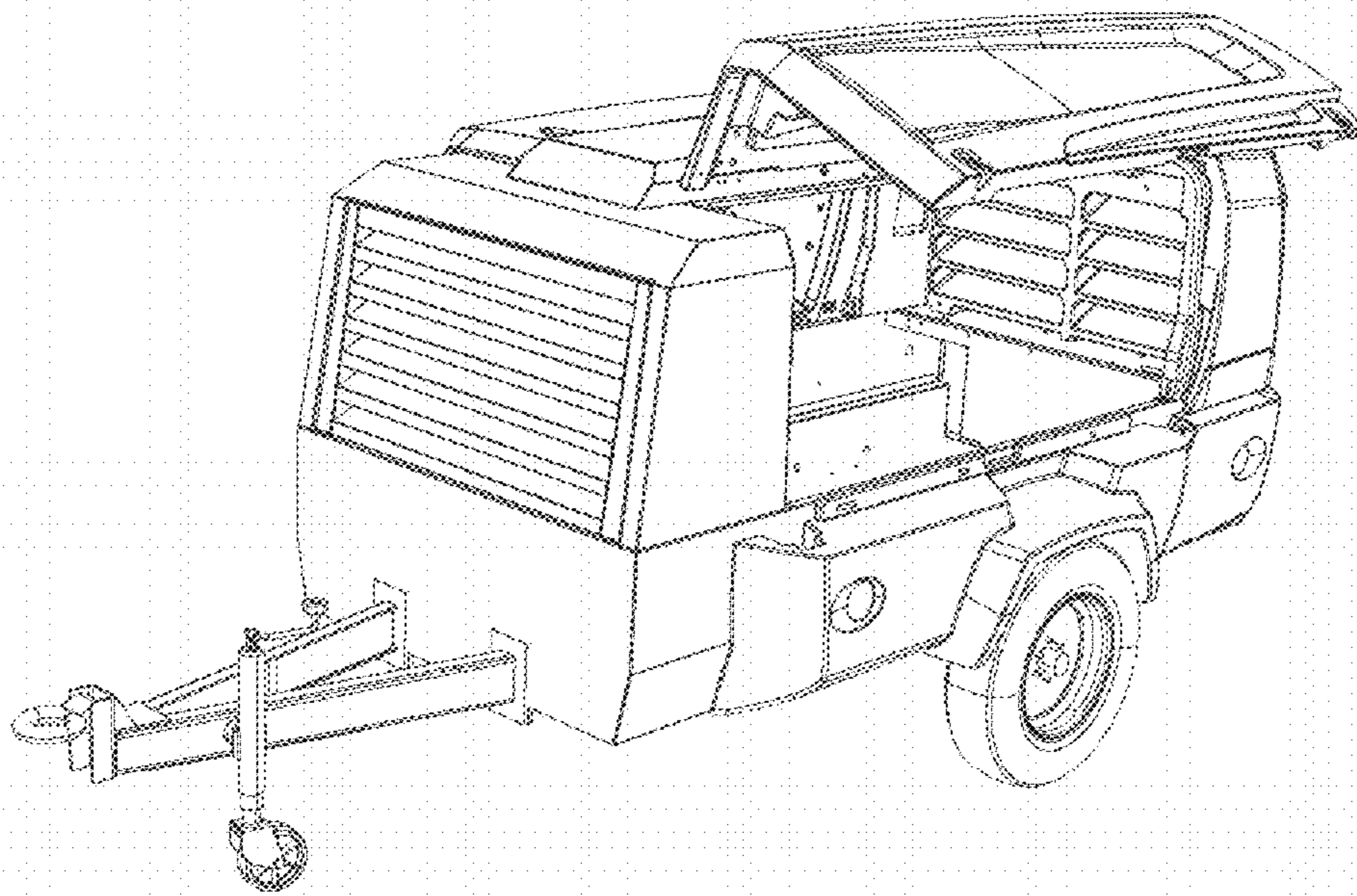


FIG. 8

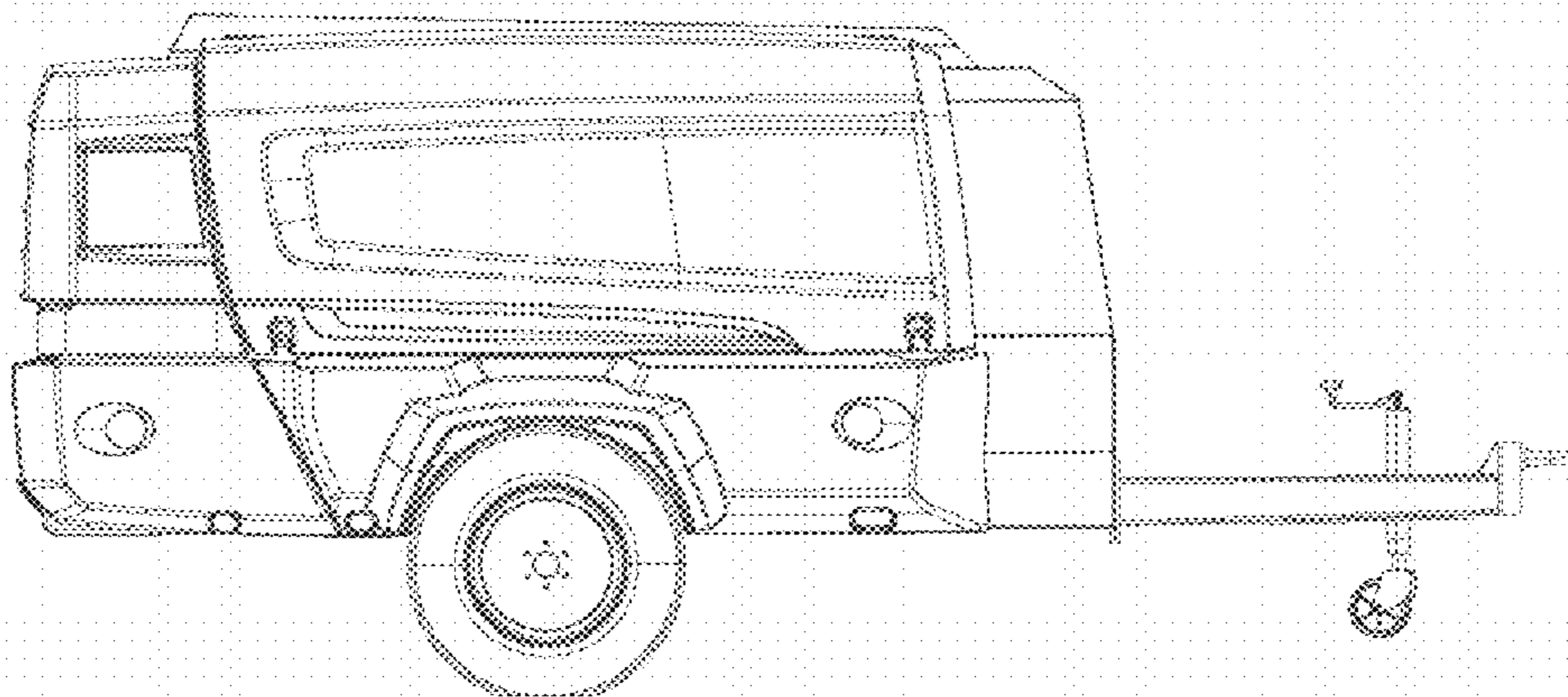


FIG. 9

