



US00D762141S

(12) **United States Design Patent**  
**Zhou**

(10) **Patent No.:** **US D762,141 S**  
(45) **Date of Patent:** **\*\* Jul. 26, 2016**

(54) **LOW SPEED ELECTRIC VEHICLE**

(56) **References Cited**

(71) Applicant: **Jianhui Zhou**, Guangdong Province  
(CN)

U.S. PATENT DOCUMENTS

(72) Inventor: **Jianhui Zhou**, Guangdong Province  
(CN)

D617,681 S	*	6/2010	Tuo	.....	D12/16
D640,594 S	*	6/2011	Zhang	.....	D12/1
D640,596 S	*	6/2011	Zhang	.....	D12/1
D646,199 S	*	10/2011	Zhang	.....	D12/16
D646,201 S	*	10/2011	Zhang	.....	D12/1
D721,012 S	*	1/2015	Zhang	.....	D12/16

(\*\*) Term: **14 Years**

\* cited by examiner

(21) Appl. No.: **29/517,325**

*Primary Examiner* — T. Chase Nelson

(22) Filed: **Feb. 11, 2015**

*Assistant Examiner* — Ania Aman

(51) **LOC (10) Cl.** ..... **12-02**

(52) **U.S. Cl.**  
USPC ..... **D12/16**

(57) **CLAIM**

The ornamental design for a low speed electric vehicle, as shown.

(58) **Field of Classification Search**

USPC ..... D12/1, 2, 13, 12, 15, 14, 16, 86, 87, 3,  
D12/4, 5, 85, 107, 110; D21/14, 424, 433,  
D21/803; D15/30; 296/1.01, 24.33, 181.1,  
296/181.2, 181.4, 187.01, 187.09, 187.11,  
296/187.12, 190.08, 192, 193.05, 193.11,  
296/181.5; 280/183–185, DIG. 5, 1, 16, 82,  
280/88, 90, 14; 180/233, 908, 89.1, 89.11,  
180/6.5

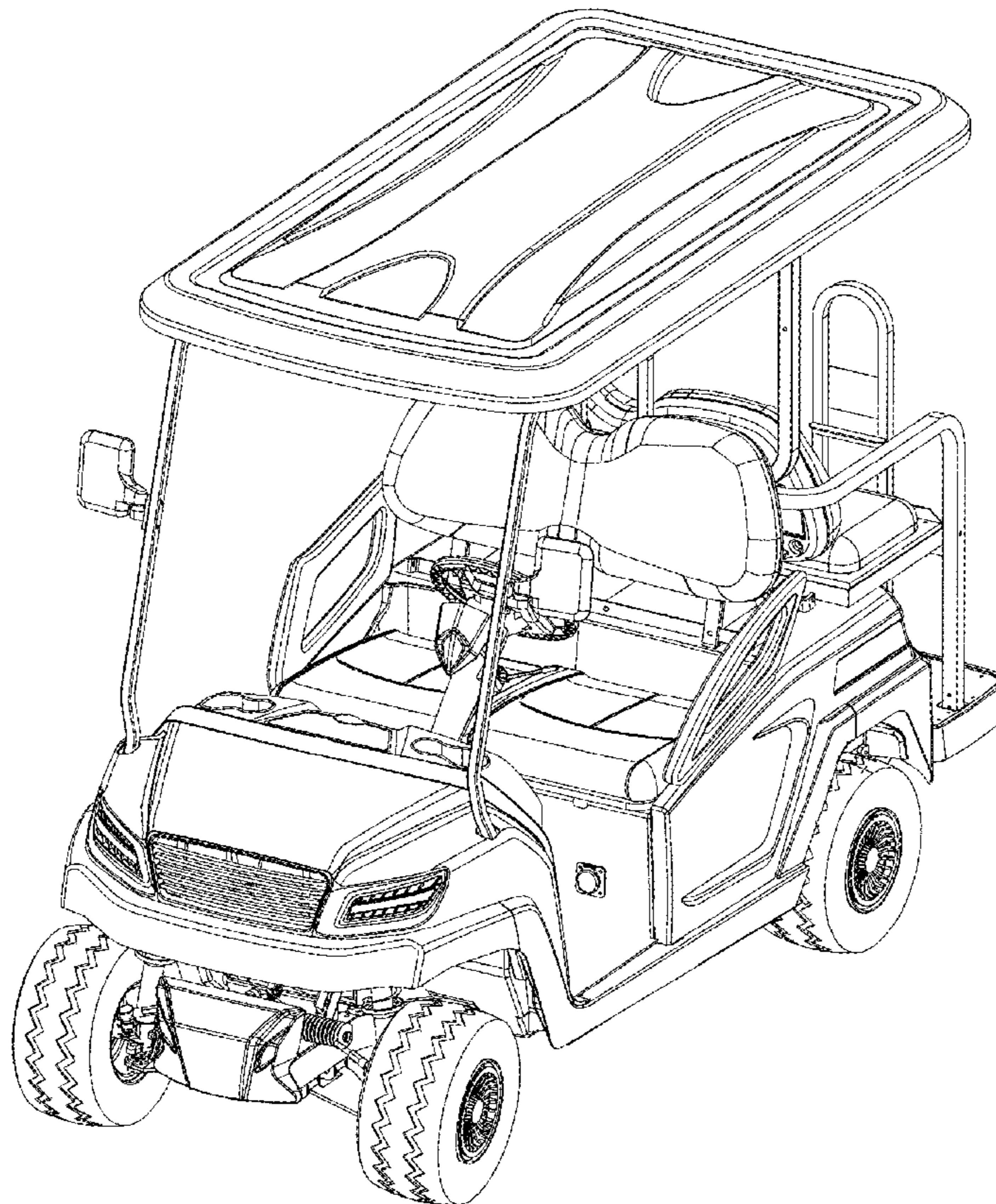
**DESCRIPTION**

FIG. 1 is a front elevational view of a Low speed electric vehicle showing my new design;  
FIG. 2 is a rear elevational view thereof;  
FIG. 3 is a left side view thereof;  
FIG. 4 is a right side view thereof;  
FIG. 5 is atop plan view thereof;  
FIG. 6 is a perspective view thereof; and,  
FIG. 7 is another perspective view thereof.

CPC ..... B62D 35/00; B62D 39/00; B62D 47/00;  
B62D 47/003; B62D 63/02; B62D 33/0617;  
B62D 33/00; A01B 59/02; B60L 2200/22;  
B60Y 2200/86; B60Y 2200/91

See application file for complete search history.

**1 Claim, 7 Drawing Sheets**



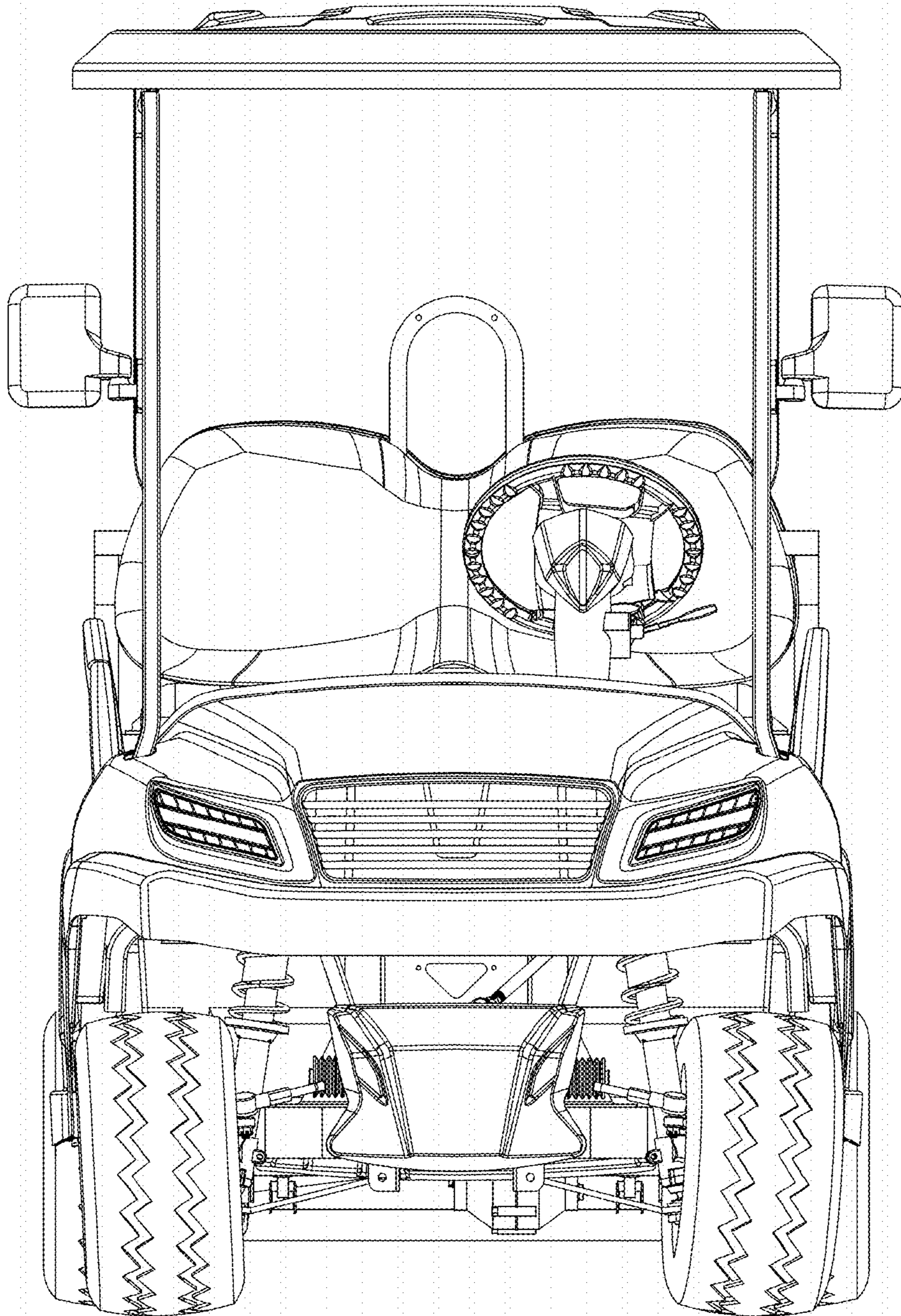


FIG. 1



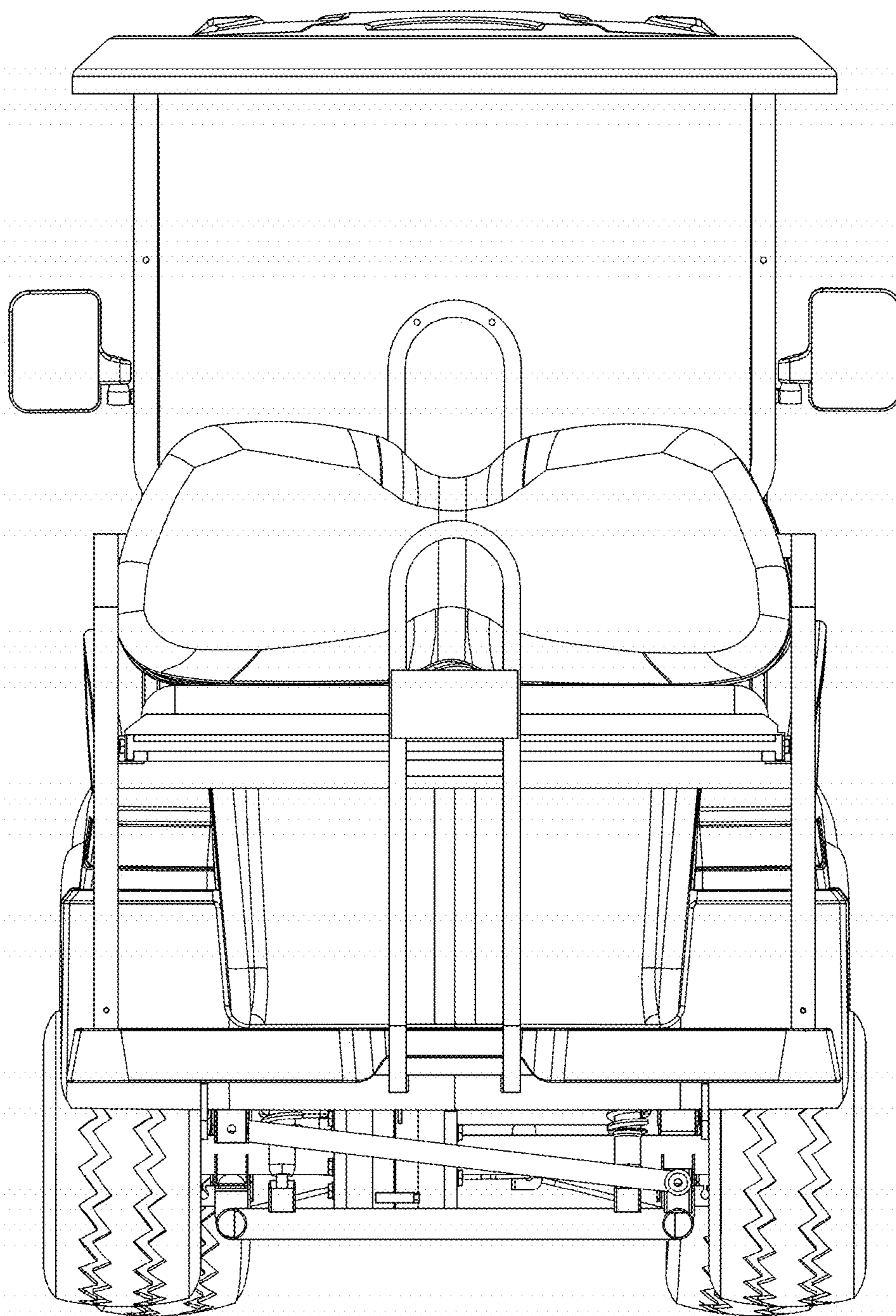


FIG. 2

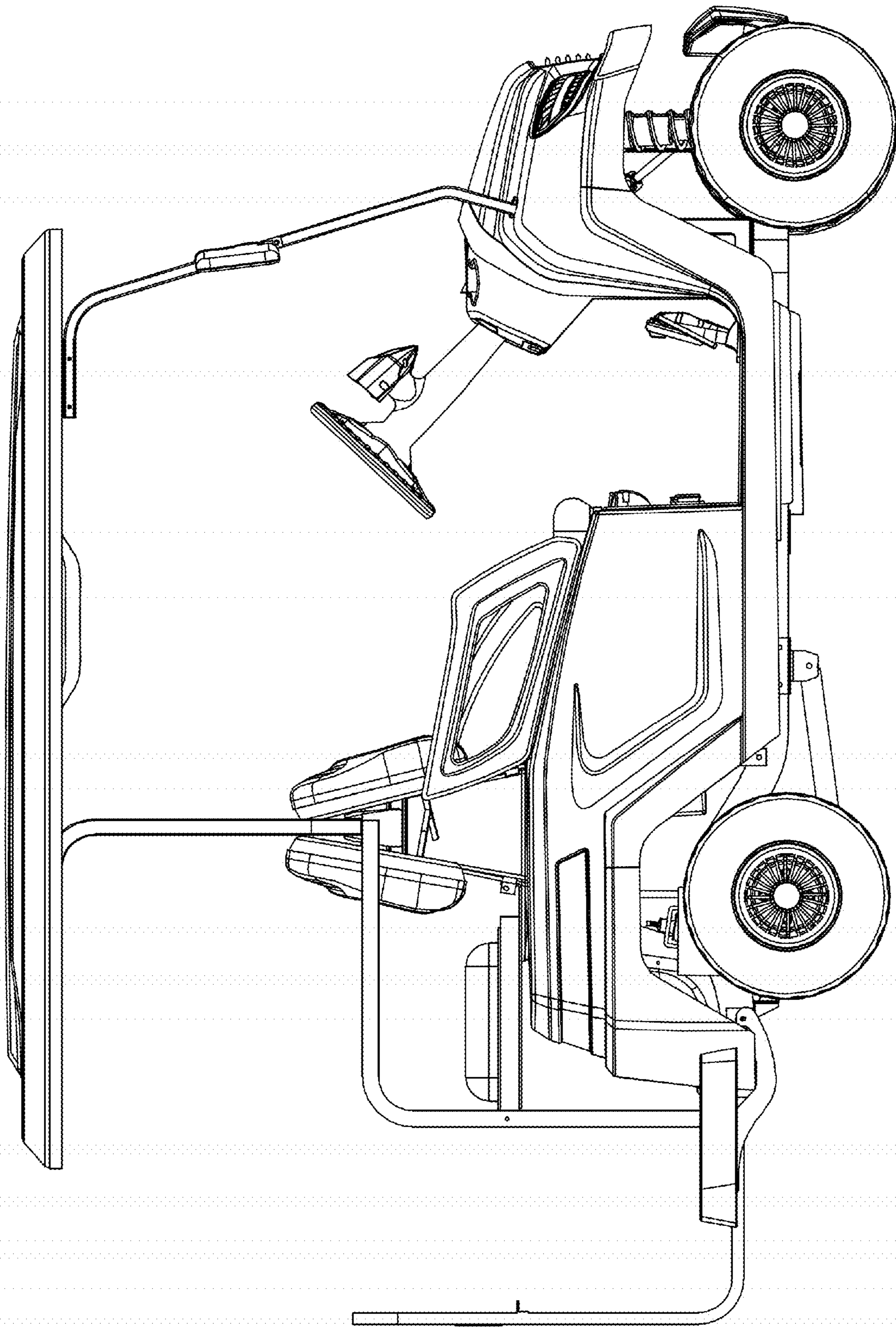


FIG. 3



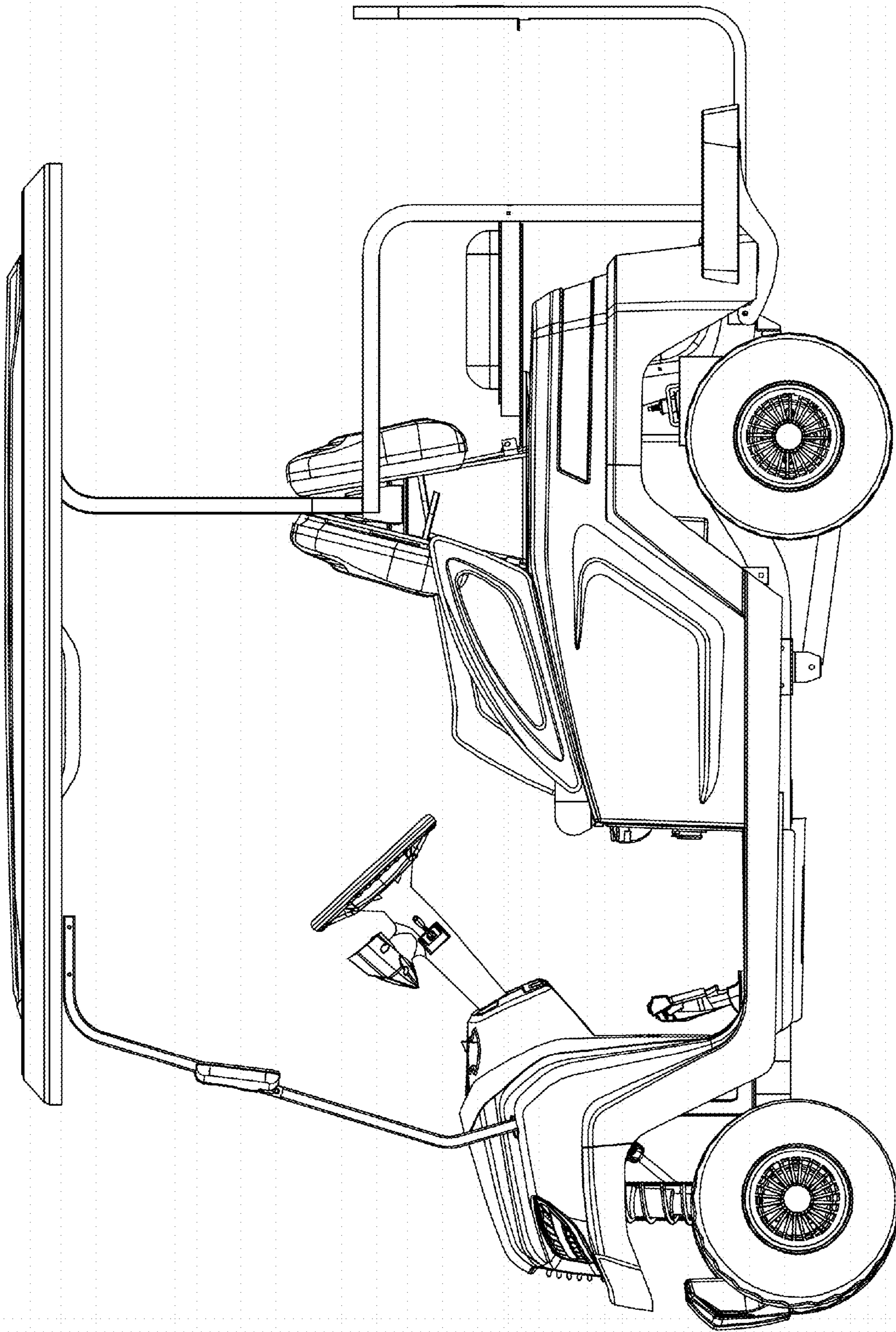


FIG. 4

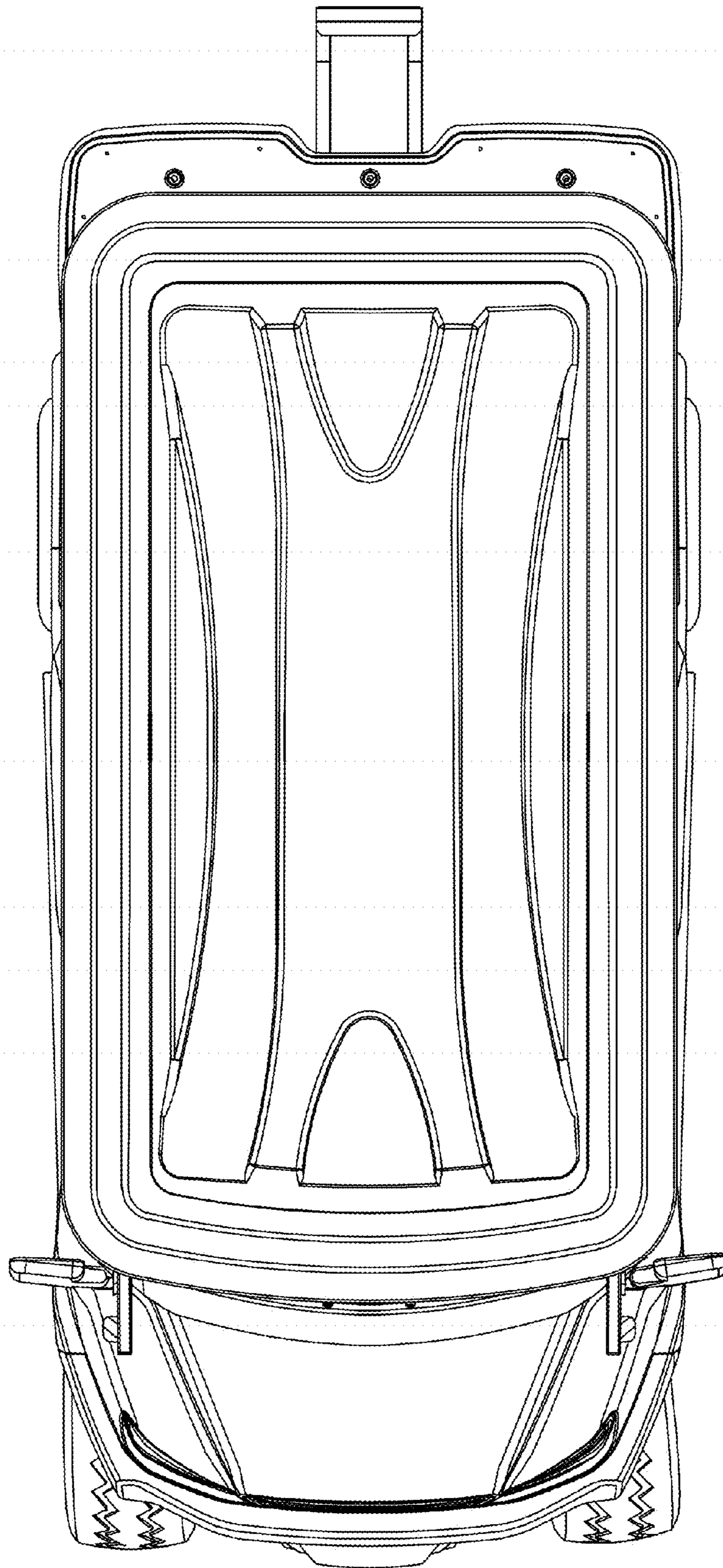


FIG. 5



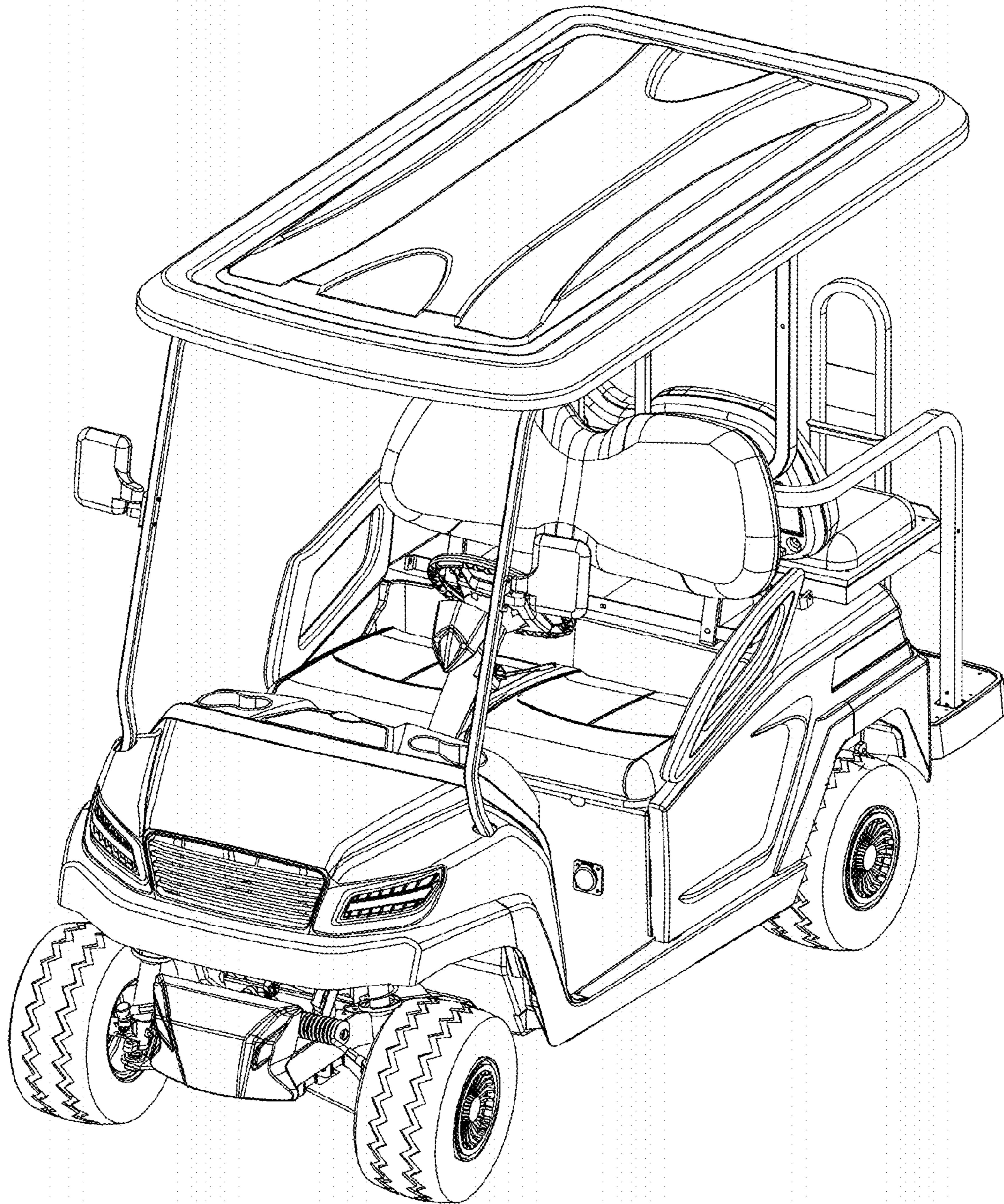


FIG. 6



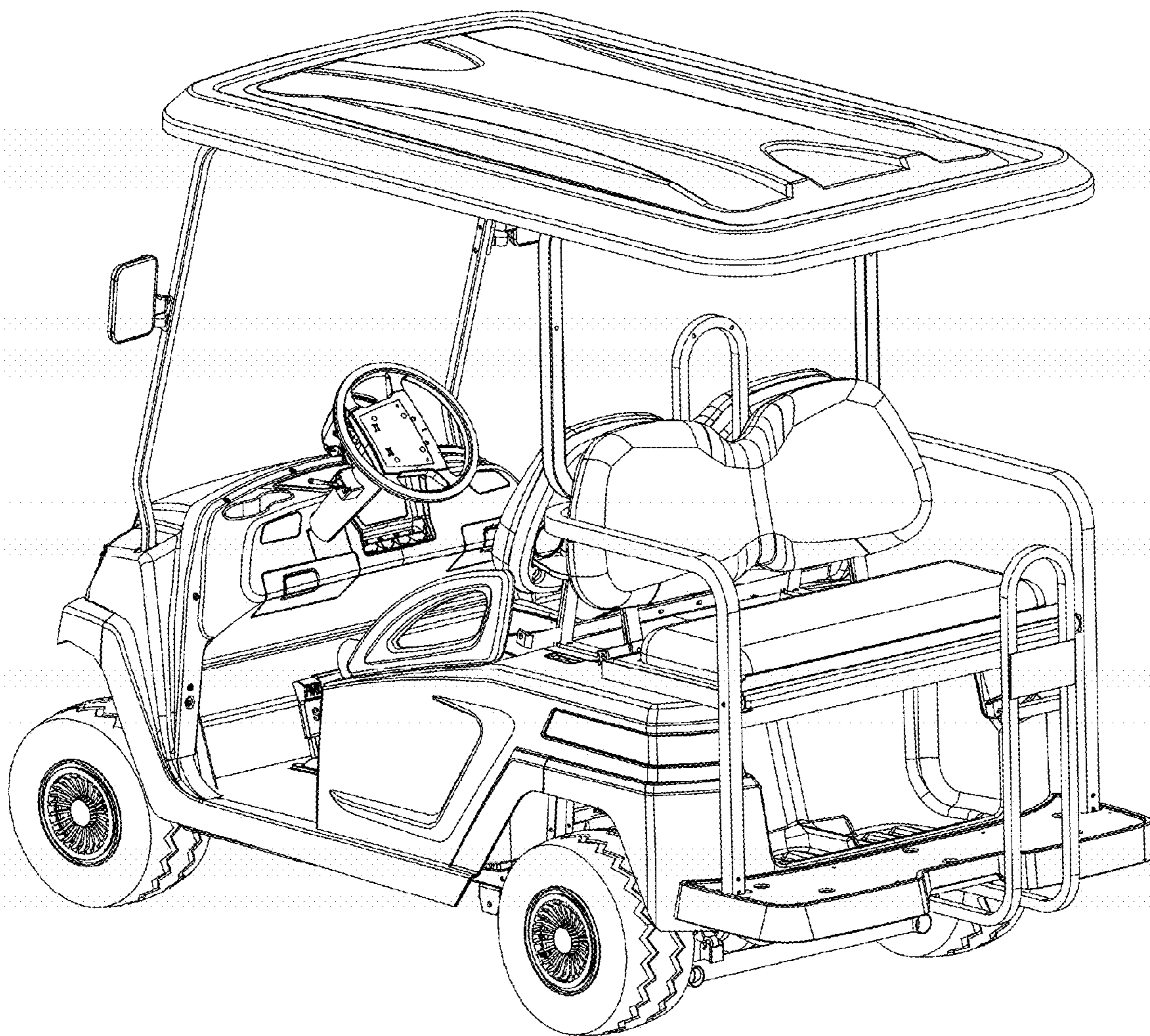


FIG. 7