



US00D762140S

(12) **United States Design Patent**
Simula et al.

(10) **Patent No.:** **US D762,140 S**
(45) **Date of Patent:** **** Jul. 26, 2016**

- (54) **TRACKED VEHICLE WHEEL**
- (71) Applicant: **GSE Technologies, LLC**, Houghton, MI (US)
- (72) Inventors: **Glen Raymond Simula**, Hancock, MI (US); **Steven John Tarnowski**, Calumet, MI (US)
- (73) Assignee: **GSE Technologies, LLC**, Houghton, MI (US)
- (**) Term: **14 Years**
- (21) Appl. No.: **29/489,309**
- (22) Filed: **Apr. 29, 2014**

Related U.S. Application Data

- (63) Continuation of application No. 12/970,190, filed on Dec. 16, 2010, now abandoned.
- (51) **LOC (10) Cl.** **12-13**
- (52) **U.S. Cl.**
USPC **D12/12; D12/204**
- (58) **Field of Classification Search**
USPC D12/12, 204, 205, 207, 208, 209;
D15/28; 305/136, 137, 185, 199, 194,
305/193
CPC .. B62D 55/145; B62D 55/0966; B62D 55/14;
B62D 55/12; B62J 25/00
See application file for complete search history.

(56) **References Cited**

U.S. PATENT DOCUMENTS

- 2,355,941 A * 8/1944 Ash B62D 55/14
301/63.104
- 2,745,503 A 5/1956 Fisher
- 2,791,256 A * 5/1957 Sinclair B21D 53/26
152/323

- 2,984,524 A 5/1961 Franzen
- 2,998,998 A * 9/1961 Hyler B62D 49/0635
180/9.1
- 3,451,728 A * 6/1969 Bruneau B62D 55/12
305/112
- 3,478,560 A 11/1969 O'Brien
- 3,929,385 A 12/1975 Turkiewicz et al.
- 4,349,234 A 9/1982 Harmann
- 4,425,008 A 1/1984 Weeks

(Continued)

FOREIGN PATENT DOCUMENTS

EP 0111212 B1 1/1987

Primary Examiner — T. Chase Nelson

Assistant Examiner — Ania Aman

(74) *Attorney, Agent, or Firm* — Brooks Kushman P.C.

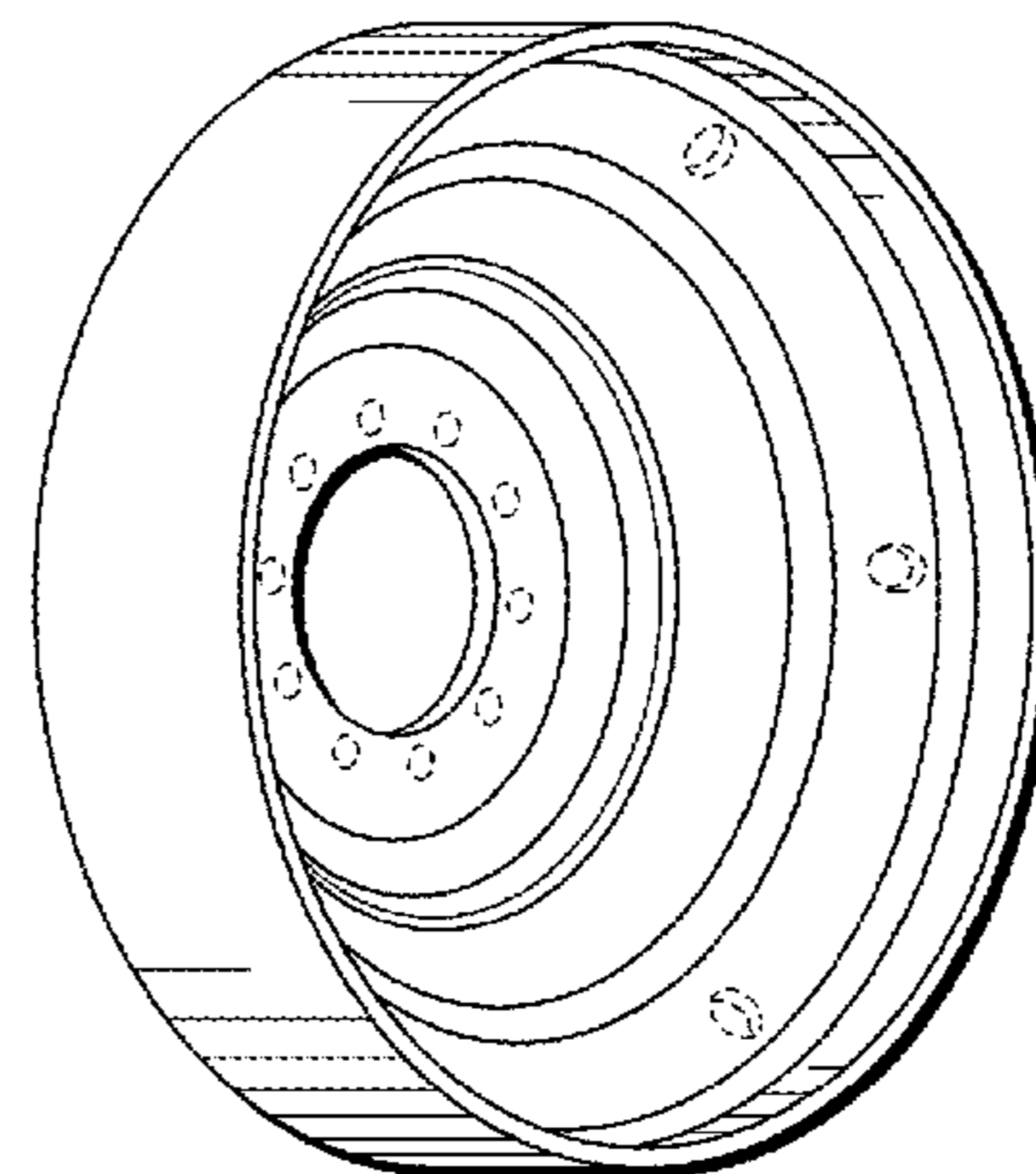
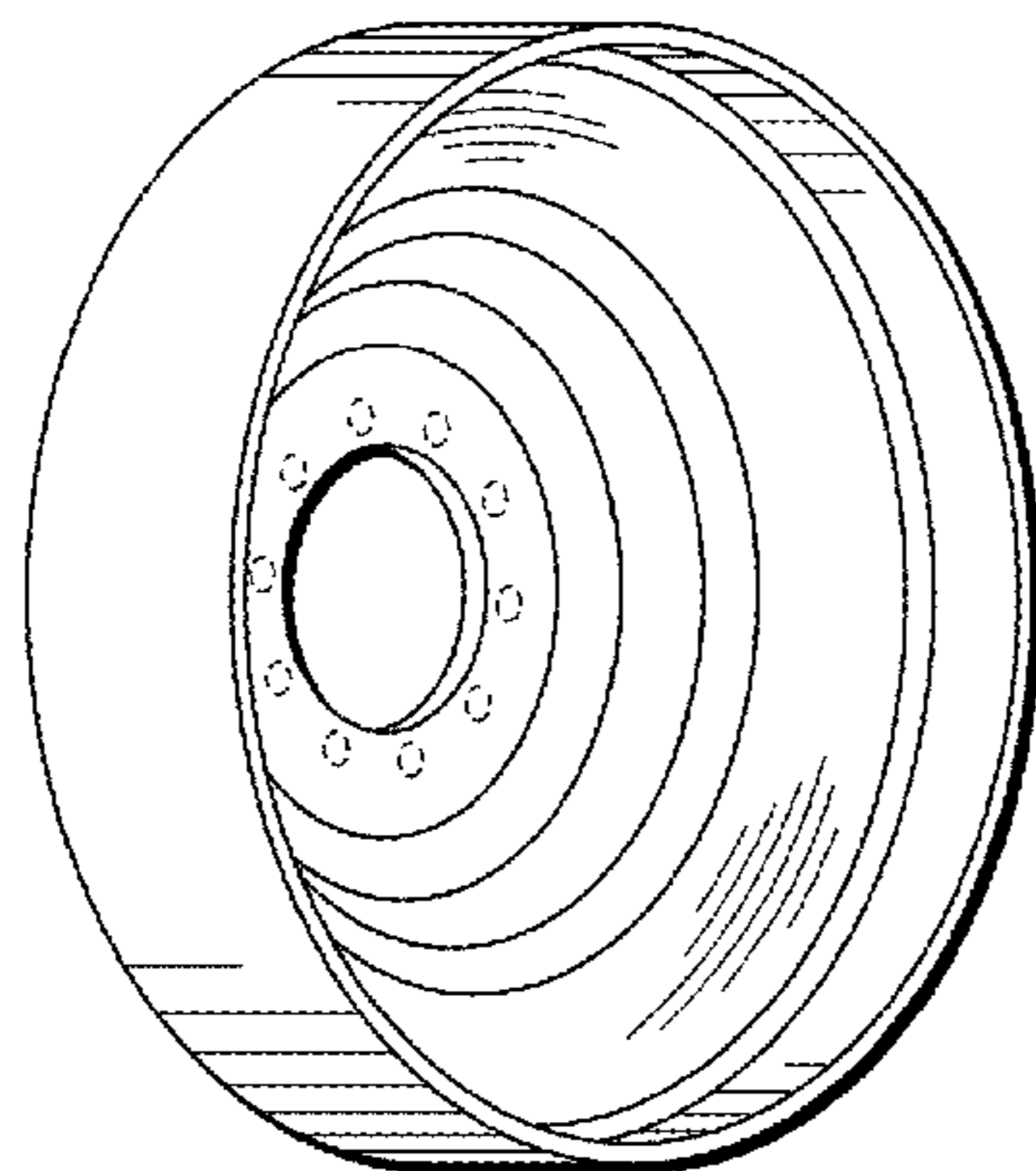
(57) **CLAIM**

The ornamental design for a tracked vehicle wheel, as shown and described.

DESCRIPTION

FIG. 1 is a front perspective view of a tracked vehicle wheel according to an embodiment;
 FIG. 2 is a rear perspective view of the wheel of FIG. 1;
 FIG. 3 is a front view of the wheel of FIG. 1;
 FIG. 4 is a rear view of the wheel of FIG. 1;
 FIG. 5 is a sectional view of the wheel of FIG. 1;
 FIG. 6 is a front perspective view of a tracked vehicle wheel according to another embodiment;
 FIG. 7 is a rear perspective view of the wheel of FIG. 6;
 FIG. 8 is a front view of the wheel of FIG. 6;
 FIG. 9 is a rear view of the wheel of FIG. 6; and,
 FIG. 10 is a sectional view of the wheel of FIG. 6.
 In the drawings, the broken lines depict environmental subject matter only that forms no part of the claimed design.

1 Claim, 4 Drawing Sheets



(56)

References Cited

U.S. PATENT DOCUMENTS

4,538,860	A	9/1985	Edwards et al.				
4,572,587	A *	2/1986	Komp	B62D 55/14			
				29/894			
4,607,892	A	8/1986	Payne et al.				
D298,632	S *	11/1988	Grawey	D12/210			
5,141,299	A	8/1992	Korpi				
5,171,074	A	12/1992	Seksaria et al.				
5,210,948	A	5/1993	Seksaria et al.				
RE34,909	E *	4/1995	Kindel	B60B 3/005			
				152/12			
5,413,407	A	5/1995	Warner				
6,089,684	A *	7/2000	Bergstrom	B62D 55/0845			
				305/100			
6,322,172	B2 *	11/2001	Lussier	305/160			
7,137,675	B1	11/2006	Simula et al.				
7,425,044	B2 *	9/2008	Soucy	B62D 55/125			
				305/173			
7,587,825	B2	9/2009	Coleman et al.				
7,914,086	B2 *	3/2011	Mulligan	B62D 55/145			
				305/137			
8,172,342	B2 *	5/2012	Diekevers	305/104			
8,398,182	B2	3/2013	Simula et al.				
8,967,737	B2 *	3/2015	Zuchoski	B62D 55/14			
				305/137			
2002/0130552	A1 *	9/2002	Juncker	B62D 55/04			
				305/195			
2003/0160506	A1	8/2003	Averkamp et al.				
2005/0103540	A1 *	5/2005	Lavoie	B62D 55/244			
				180/9.1			
2005/0104449	A1 *	5/2005	Lavoie	B62D 55/14			
				305/136			
2006/0103236	A1 *	5/2006	Soucy	B62D 55/125			
				305/199			
2006/0125318	A1 *	6/2006	Soucy	B62D 55/125			
				305/178			
2008/0105472	A1 *	5/2008	Tuhy	B60G 5/01			
				180/9.5			
2008/0217994	A1 *	9/2008	McRae	B62D 55/14			
				305/199			
2010/0072813	A1 *	3/2010	McRae	B62D 55/14			
				305/120			
2011/0169325	A1	7/2011	Kaufold et al.				
2011/0298274	A1 *	12/2011	Simula	B62D 55/145			
				305/194			
2012/0001478	A1 *	1/2012	Zuchoski	B62D 55/14			
				305/137			
2012/0146394	A1 *	6/2012	Simula	B60C 7/102			
				301/62			
2012/0153712	A1 *	6/2012	Simula	B62D 55/14			
				305/136			
2012/0193979	A1 *	8/2012	Pard	B62D 55/125			
				305/178			
2012/0228926	A1 *	9/2012	Bair	B62D 55/14			
				305/136			
2014/0001823	A1 *	1/2014	Meyer	B62D 55/14			
				305/136			
2014/0001824	A1 *	1/2014	Meyer	B62D 55/14			
				305/136			
2014/0001825	A1 *	1/2014	Hakes	B62D 55/202			
				305/136			
2014/0001826	A1 *	1/2014	Meyer	B62D 55/15			
				305/137			
2014/0001828	A1 *	1/2014	Meyer	B62D 55/14			
				305/137			
2014/0091616	A1 *	4/2014	Joseph Xavier	B62D 55/14			
				305/136			
2015/0076898	A1 *	3/2015	Eavenson, Sr.	B62D 55/12			
				305/199			
2015/0159746	A1 *	6/2015	Volkmer	B60K 17/046			
				475/343			
2015/0217818	A1 *	8/2015	Vik	B62D 55/305			
				305/125			
2015/0344087	A1 *	12/2015	de Boe	B62D 55/10			
				305/142			

* cited by examiner

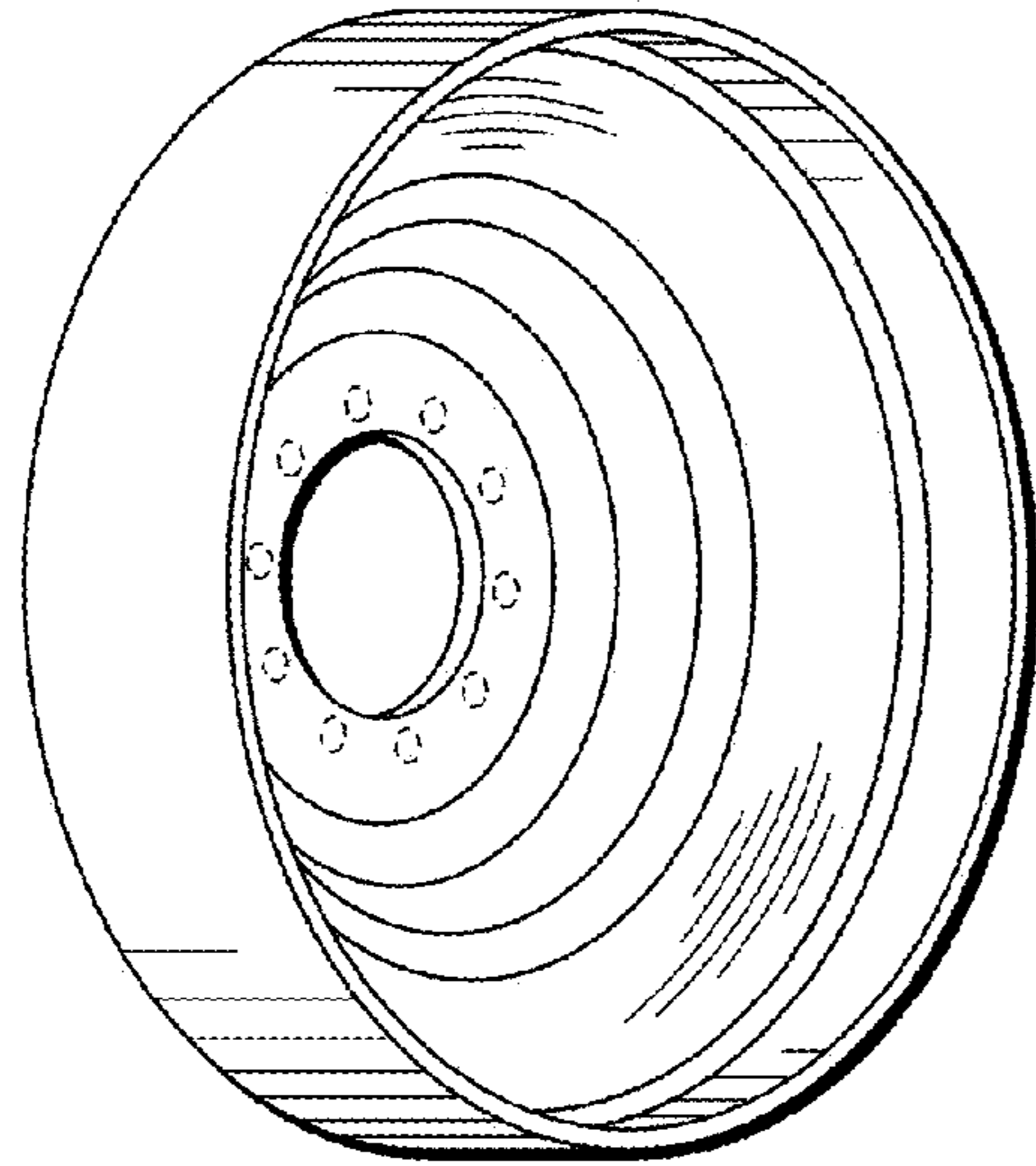


FIG. 1

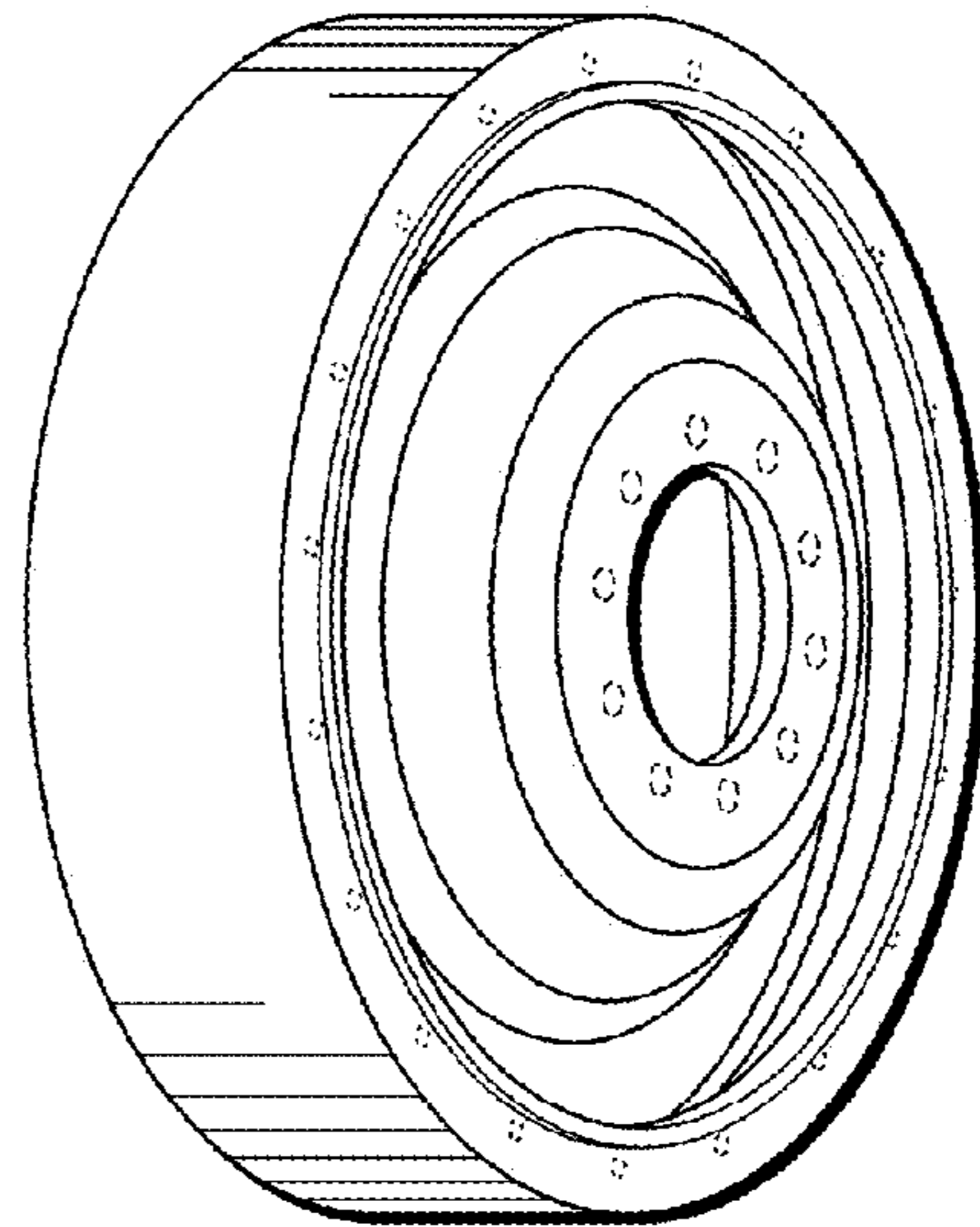


FIG. 2

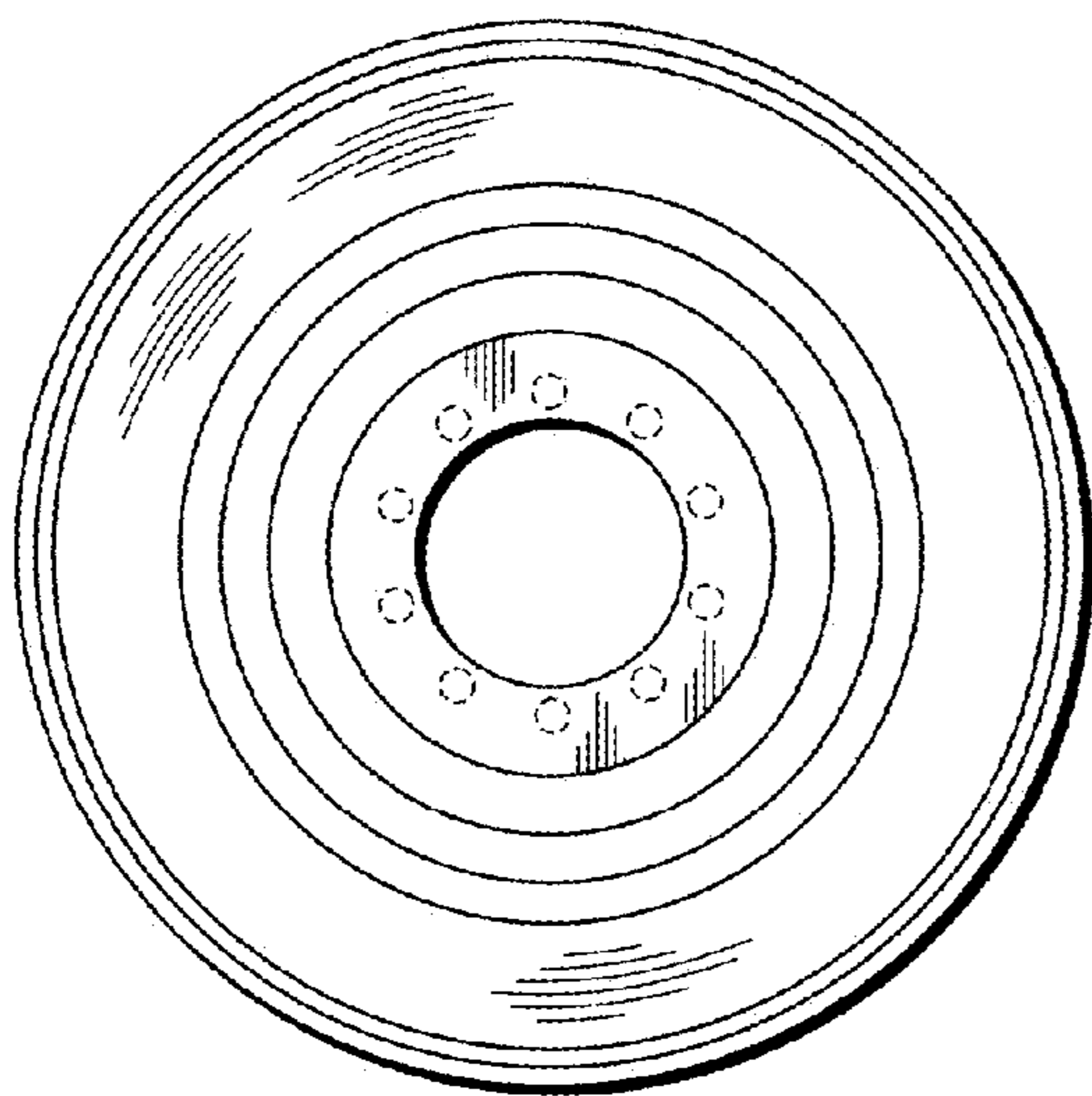


FIG. 3

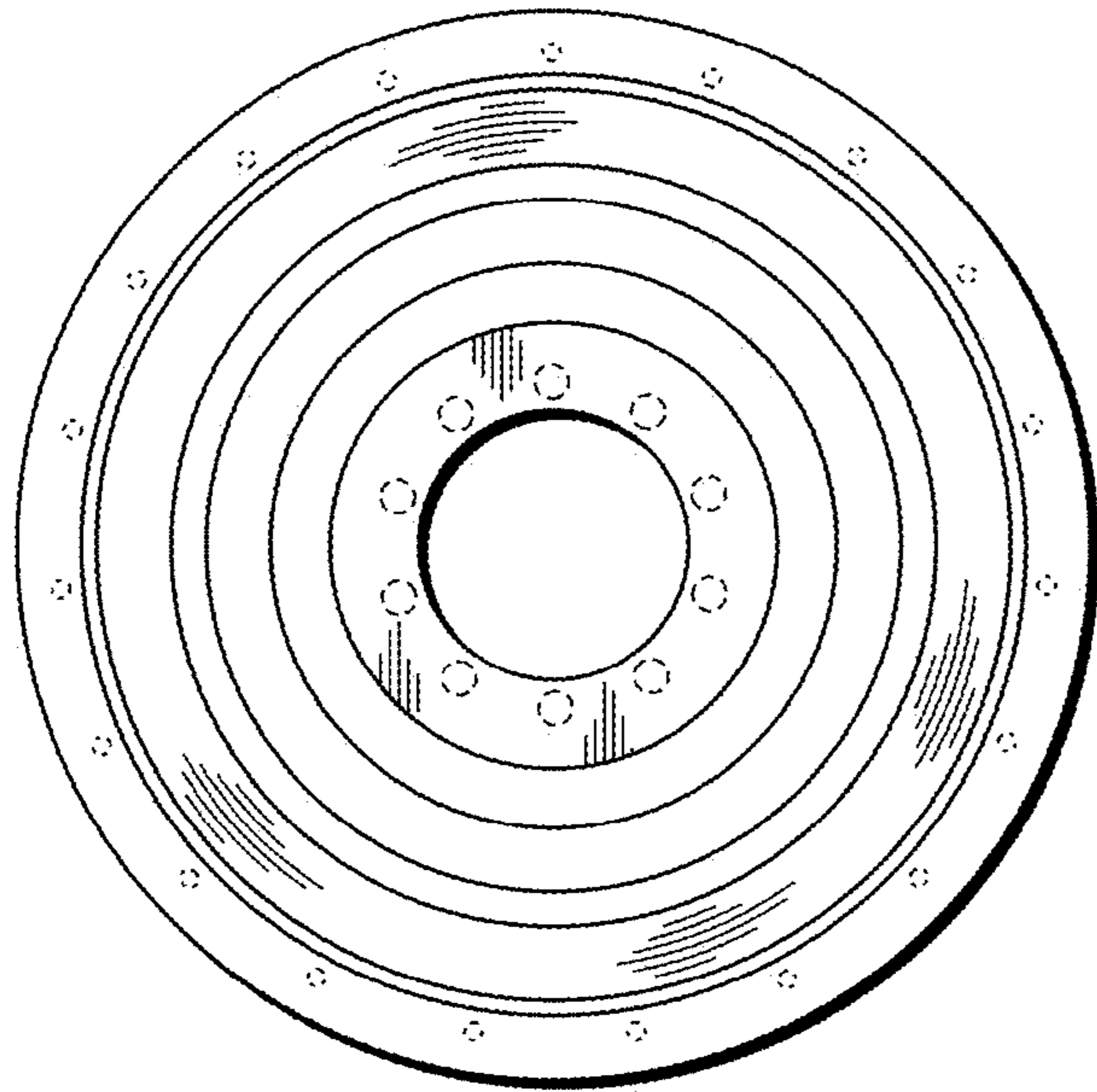


FIG. 4

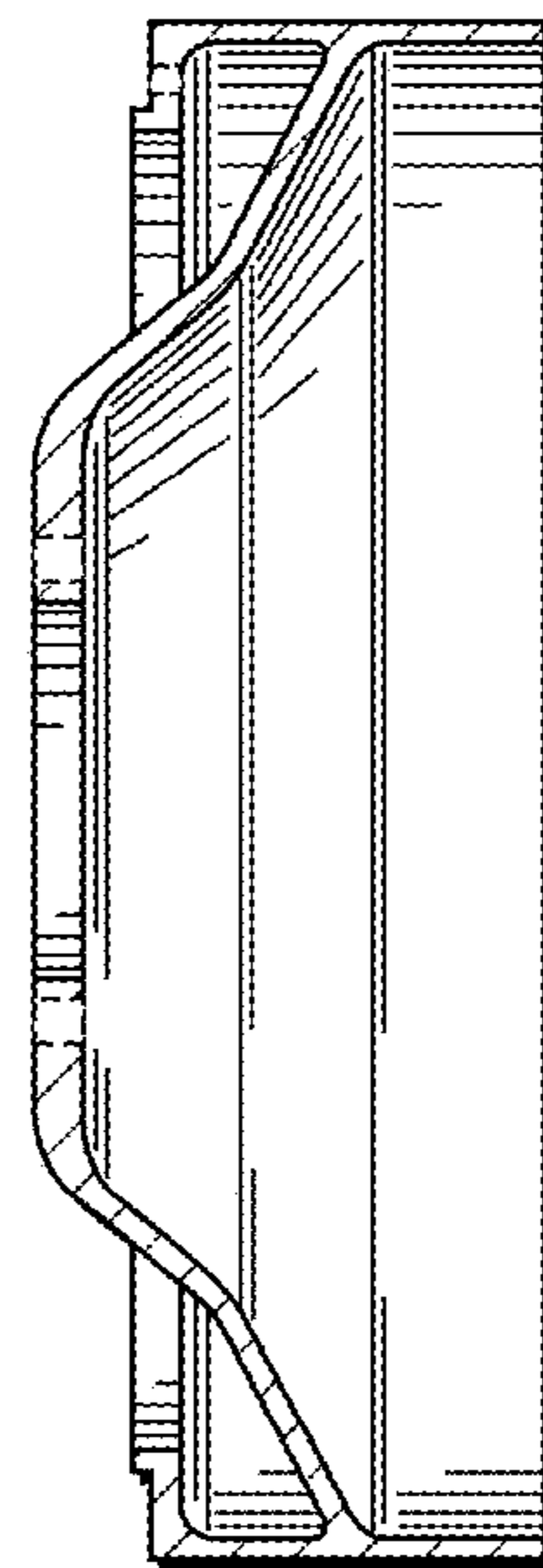


FIG. 5

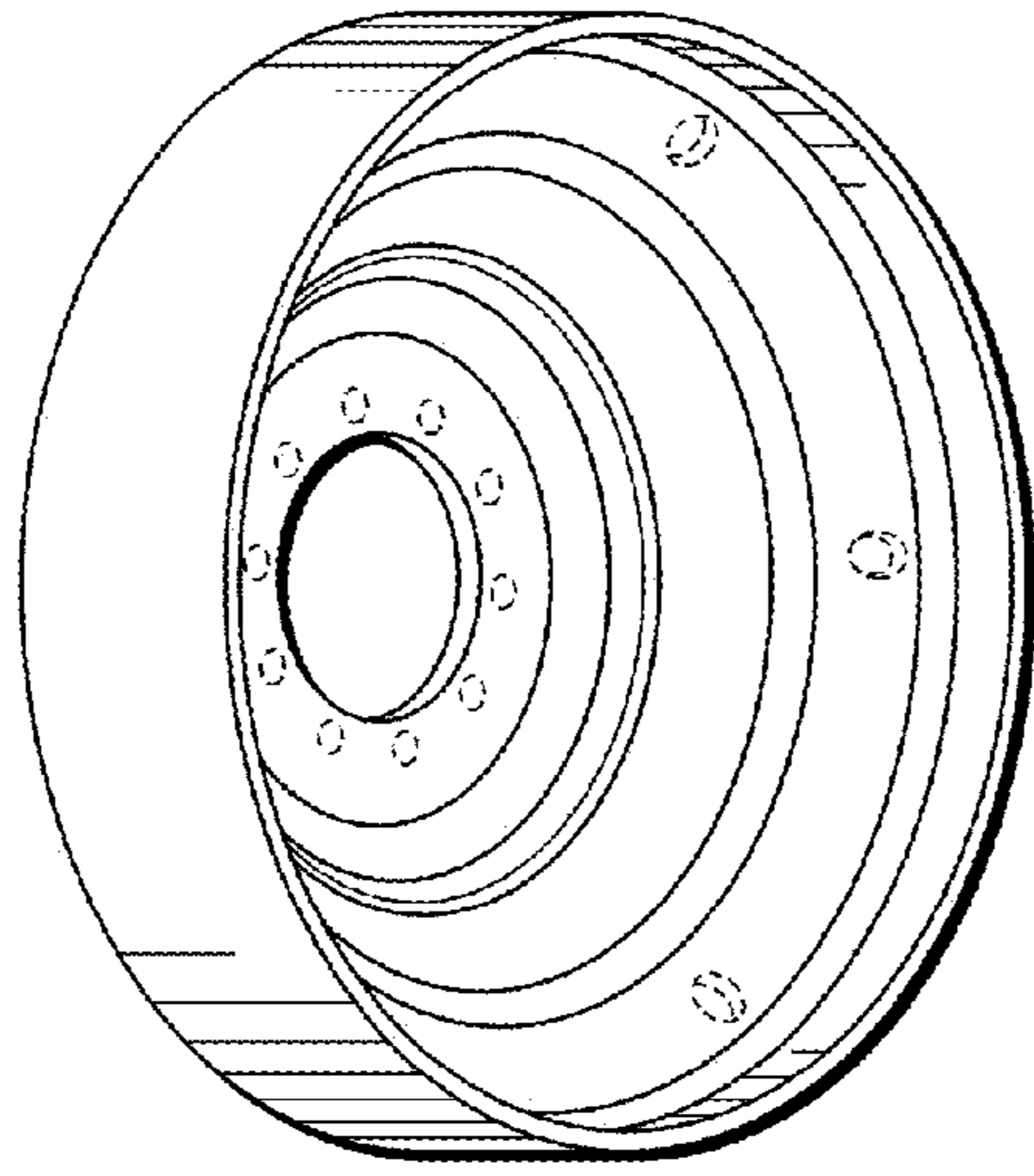


FIG. 6

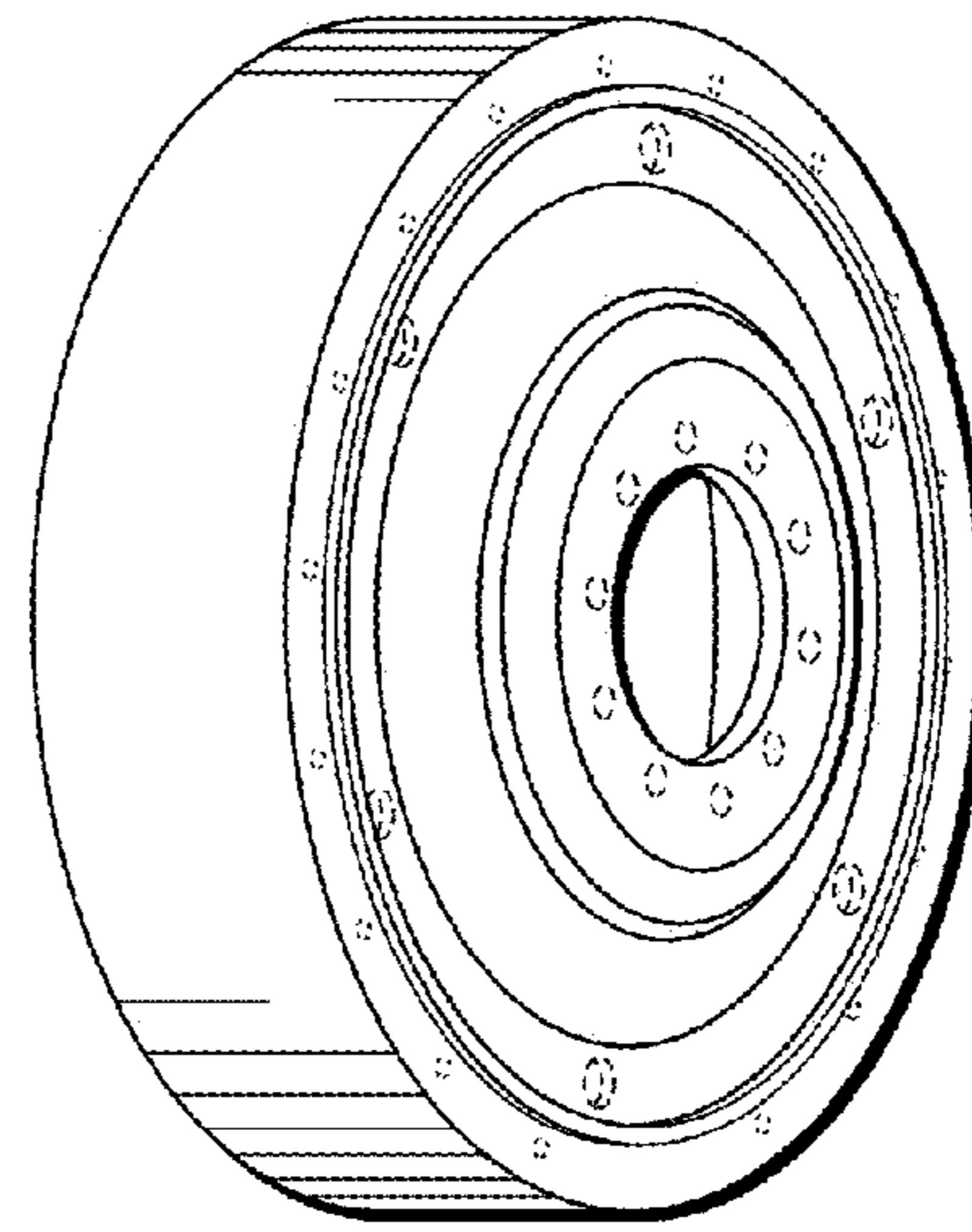


FIG. 7

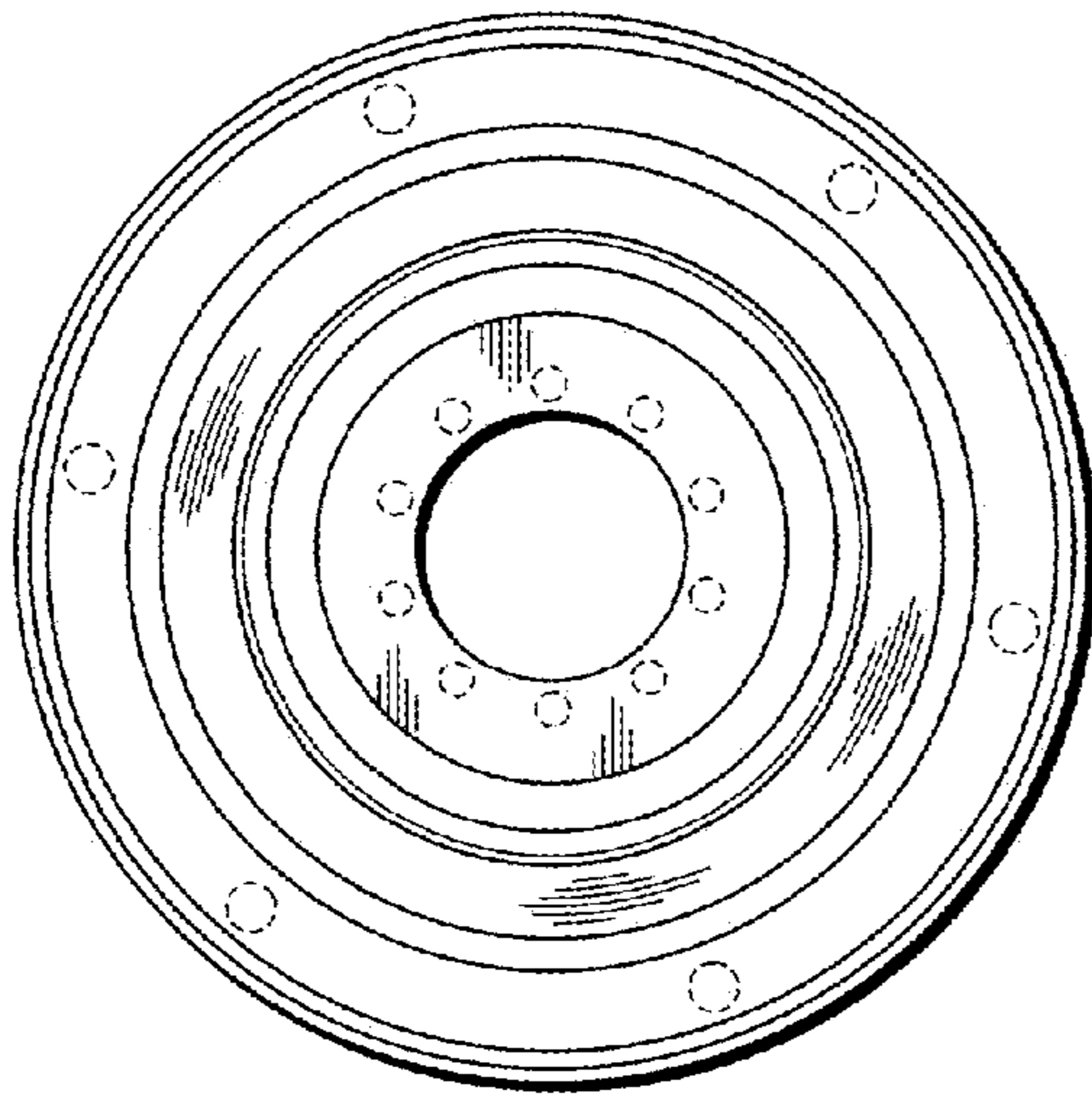


FIG. 8

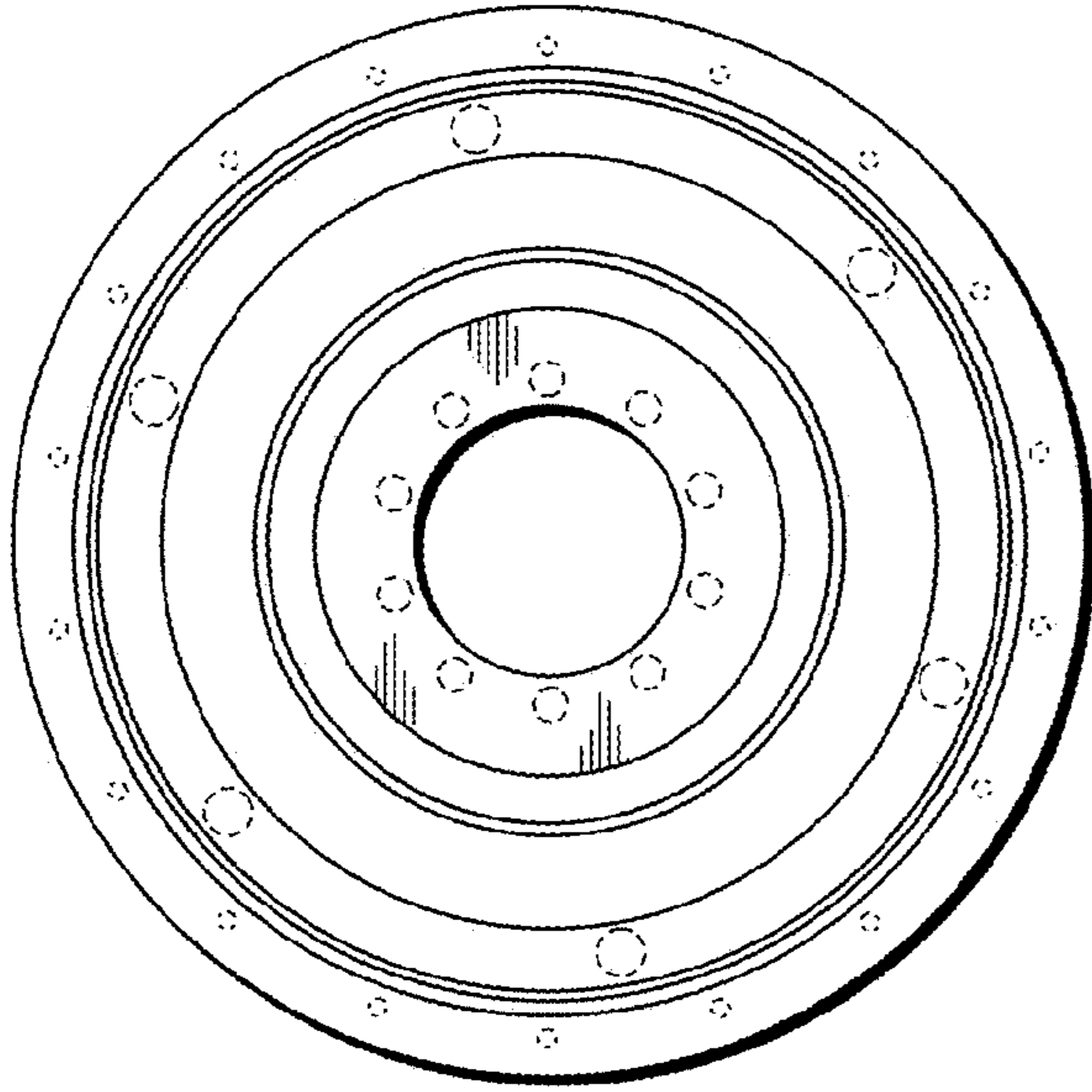


FIG. 9

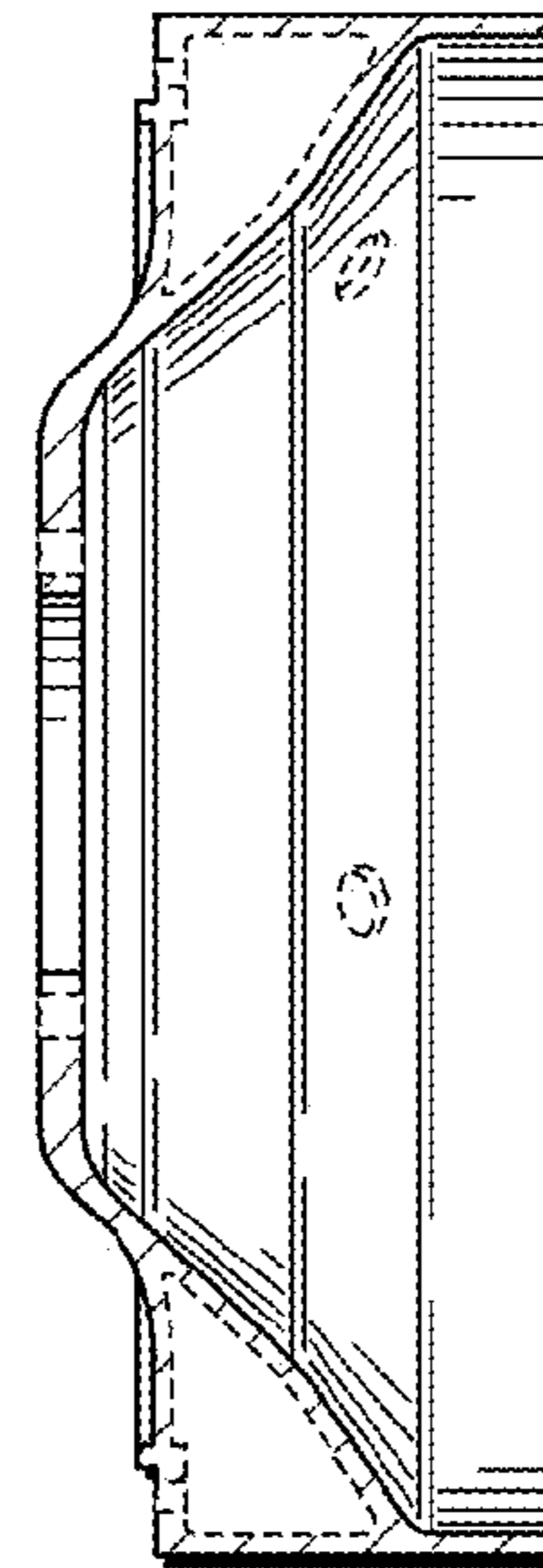


FIG. 10