

US00D762129S

(12) **United States Design Patent**
Cobb et al.

(10) **Patent No.:** **US D762,129 S**
(45) **Date of Patent:** **** Jul. 26, 2016**

(54) **LEVEL**

(71) Applicant: **BRASSCRAFT MANUFACTURING COMPANY**, Novi, MI (US)

(72) Inventors: **Ian Cobb**, Wixom, MI (US); **David Thimm**, Plymouth, MI (US); **Curtis James Bailey**, Birmingham, MI (US)

(73) Assignee: **BrassCraft Manufacturing Company**, Novi, MI (US)

(**) Term: **14 Years**

(21) Appl. No.: **29/525,410**

(22) Filed: **Apr. 29, 2015**

(51) **LOC (10) Cl.** **10-04**

(52) **U.S. Cl.**
USPC **D10/69**

(58) **Field of Classification Search**
USPC D10/69
CPC G01C 9/24; G01C 9/26; G01C 9/28;
G01C 9/30; G01C 9/32; G01C 9/34; G01C
9/36

See application file for complete search history.

(56) **References Cited**

U.S. PATENT DOCUMENTS

2,998,655 A * 9/1961 White G01C 9/24
33/340
D513,963 S * 1/2006 Cuddy D10/69

* cited by examiner

Primary Examiner — Antoine D Davis

(74) *Attorney, Agent, or Firm* — Kirk W. Rudolph

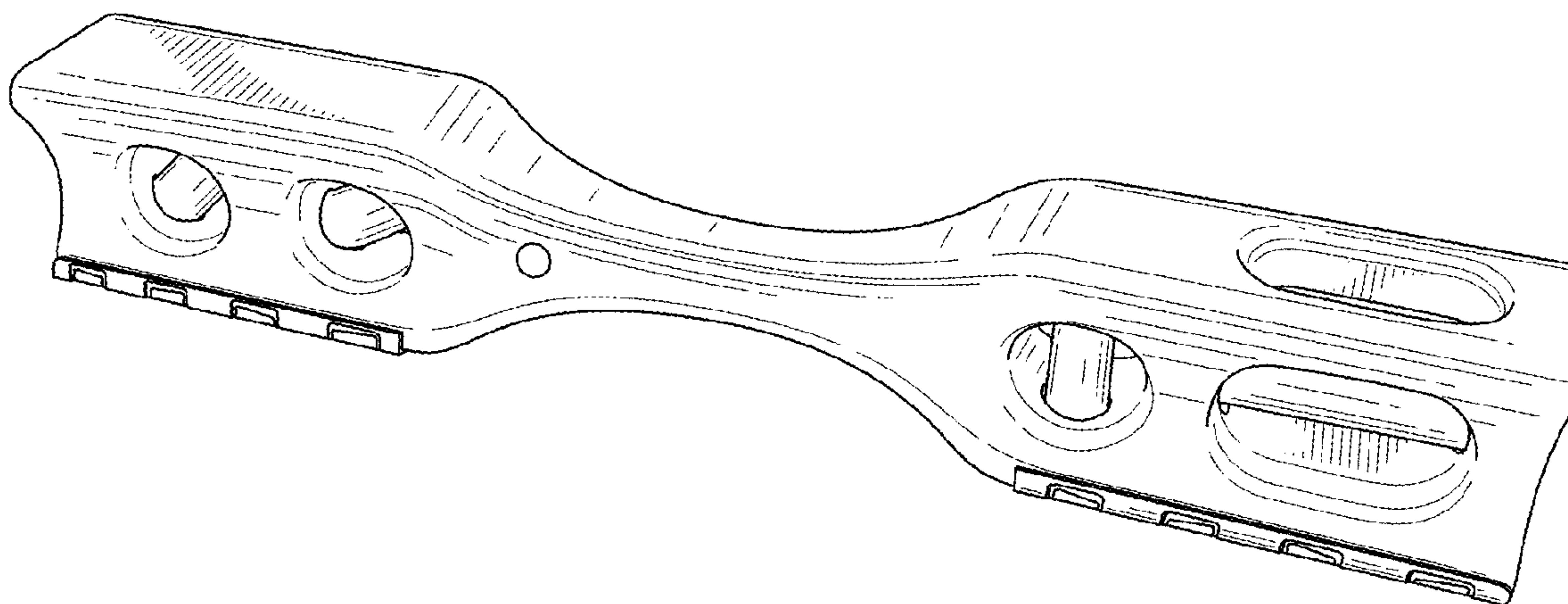
(57) **CLAIM**

The ornamental design for a level, as shown and described.

DESCRIPTION

FIG. 1 is a perspective view of a level showing our design;
FIG. 2 is a left side view thereof;
FIG. 3 is a right side view thereof;
FIG. 4 is a front view thereof;
FIG. 5 is a rear view thereof;
FIG. 6 is a top view thereof; and,
FIG. 7 is a bottom view thereof.

1 Claim, 4 Drawing Sheets



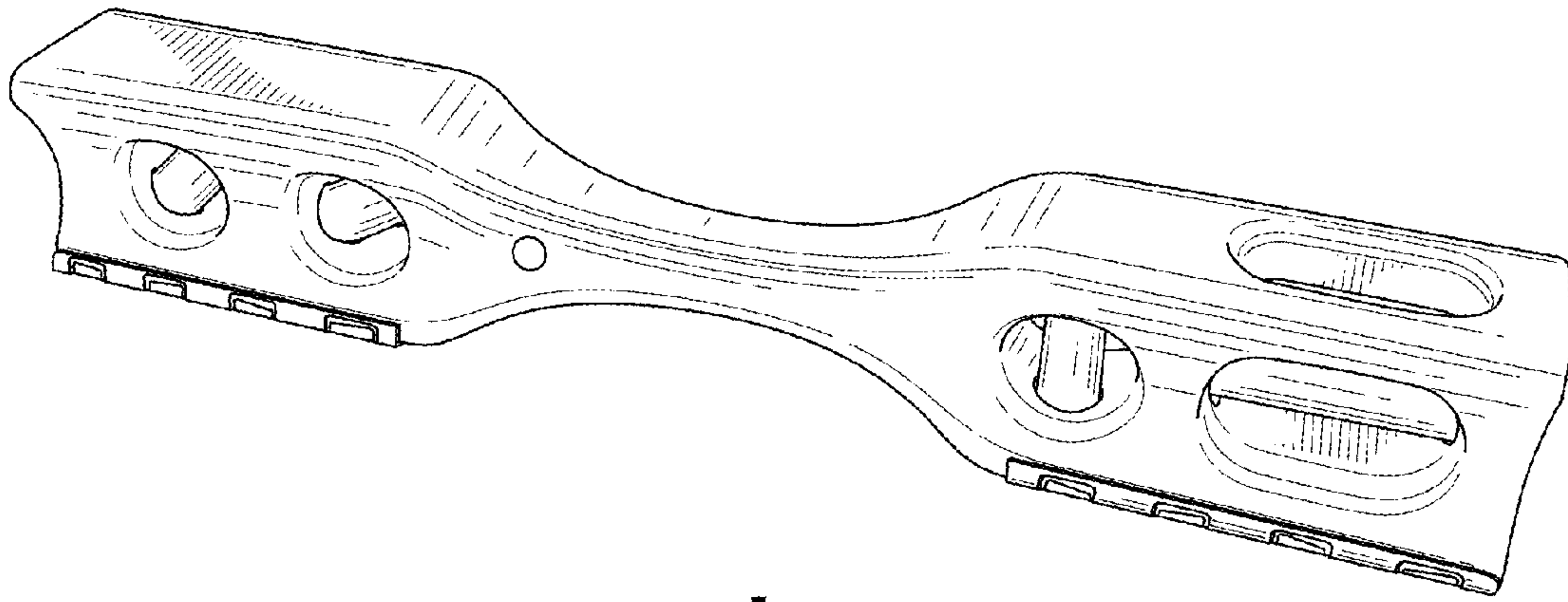


FIG. 1

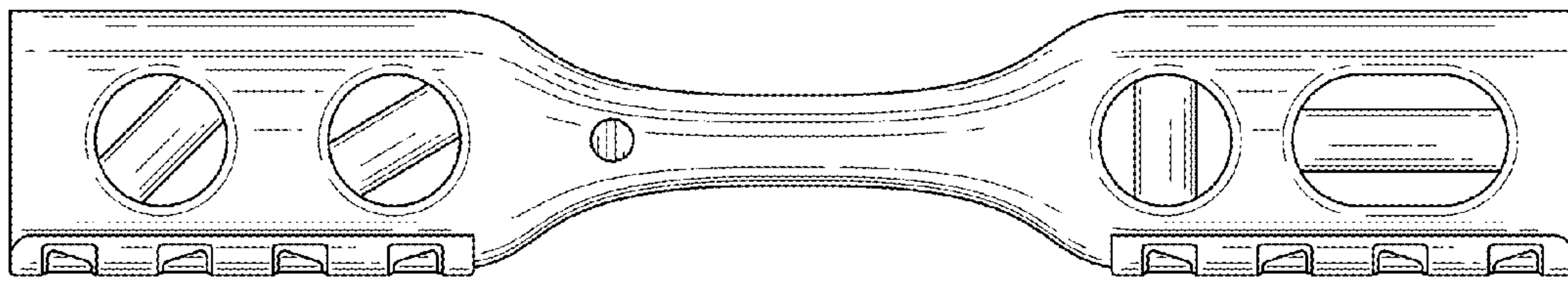


FIG. 2

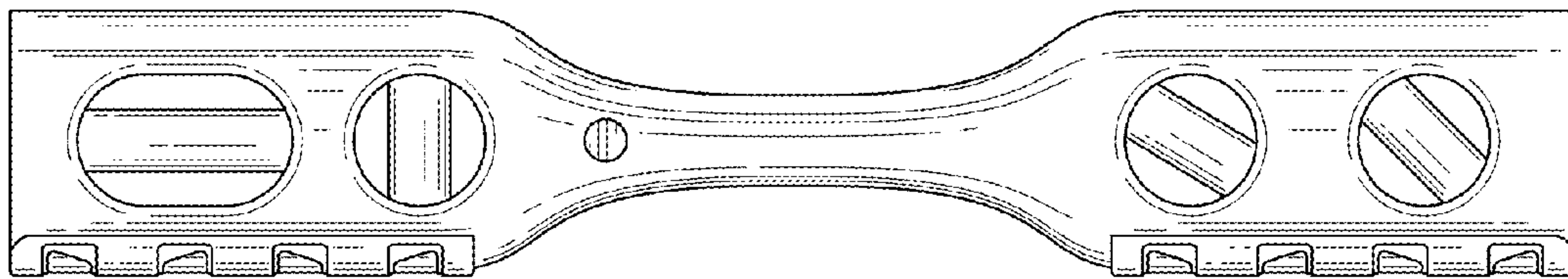


FIG. 3

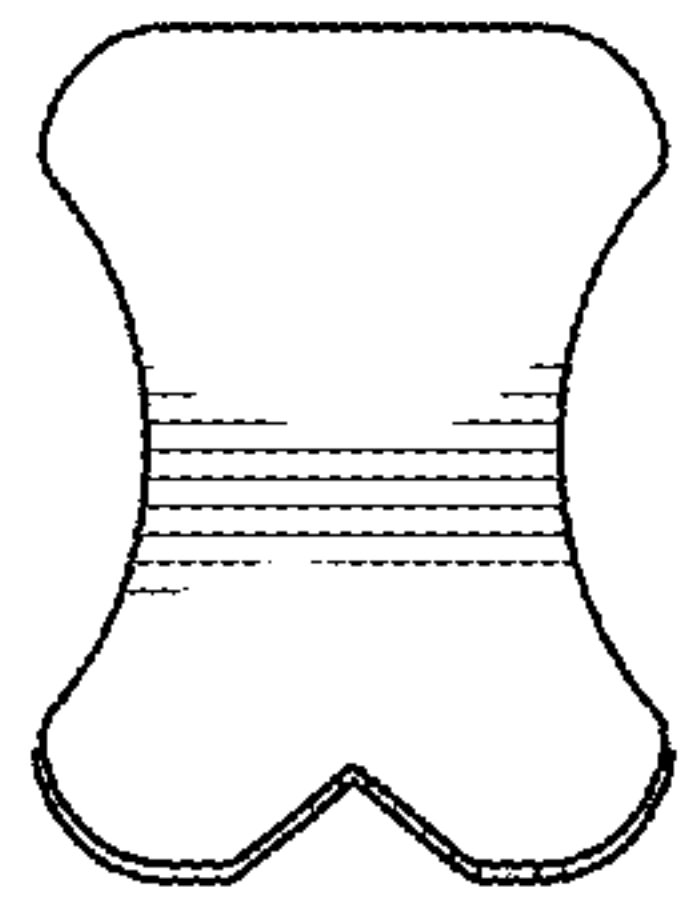


FIG. 4

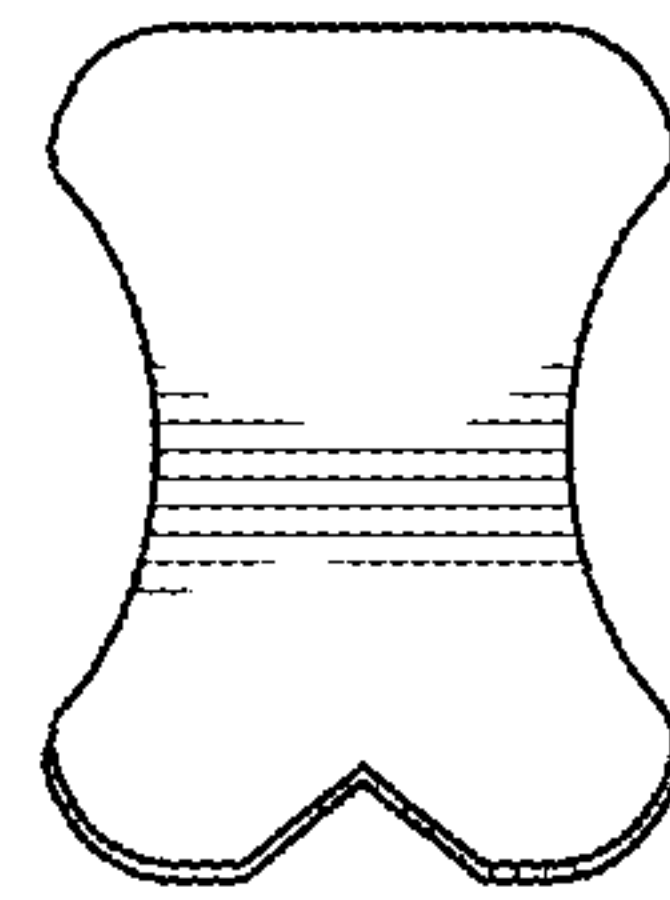


FIG. 5

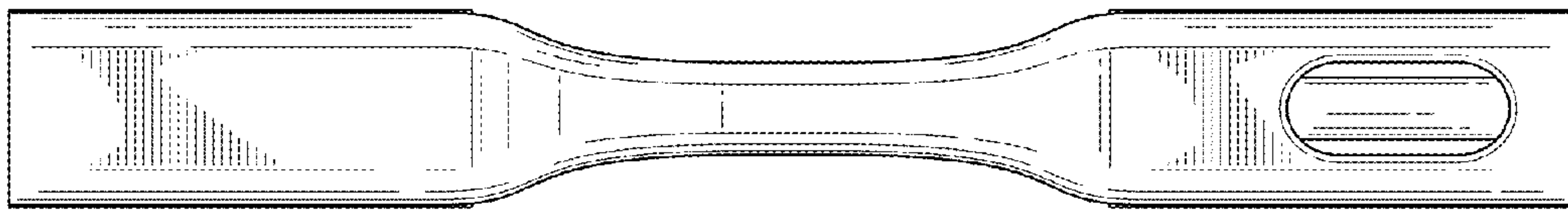


FIG. 6

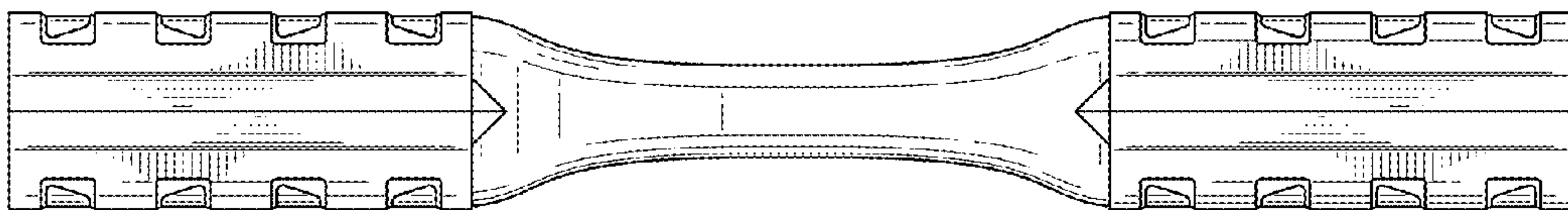


FIG. 7