



US00D762125S

(12) **United States Design Patent**
Gruosi

(10) **Patent No.:** **US D762,125 S**
(45) **Date of Patent:** **** Jul. 26, 2016**

(54) **WRIST WATCH**
(71) Applicant: **de Grisogono, S.A.**, Plan-les-Ouates (CH)
(72) Inventor: **Fawaz Gruosi**, Prangins (CH)
(73) Assignee: **de Grisogono S.A.**, Plan-les-Ouates (CH)
(**) Term: **14 Years**
(21) Appl. No.: **29/499,421**
(22) Filed: **Aug. 14, 2014**

D150,653 S * 8/1948 Pommier D10/32
2,811,294 A * 10/1957 Sand A44C 5/00
224/172
5,323,554 A * 6/1994 MacDonald G09F 3/005
224/219
D445,040 S * 7/2001 Bodino D10/32
D547,678 S * 7/2007 Hardy D10/38
D558,066 S * 12/2007 Rodell D10/32
D636,696 S * 4/2011 Lebail D11/43
D643,324 S * 8/2011 Kim D11/1
8,225,625 B2 * 7/2012 Heiden A44C 5/14
63/23
D675,124 S * 1/2013 Rowland D11/5

* cited by examiner

Primary Examiner — Martie K Holtje
(74) *Attorney, Agent, or Firm* — Venjuris P.C.

(30) **Foreign Application Priority Data**
Feb. 6, 2014 (CH) 140456
(51) **LOC (10) Cl.** **10-02**
(52) **U.S. Cl.**
USPC **D10/32; D10/38; D11/3**
(58) **Field of Classification Search**
USPC D10/30-39, 1-29, 122-132
CPC G04B 19/00; G04B 37/00; G04B 37/0008;
G04B 37/0058; G04B 37/1486; G04B 45/00;
G04B 45/0069; G04B 45/0076; A44C 5/00;
A44C 5/0007; A44C 5/0053; A44C 5/14;
A44C 5/142
See application file for complete search history.

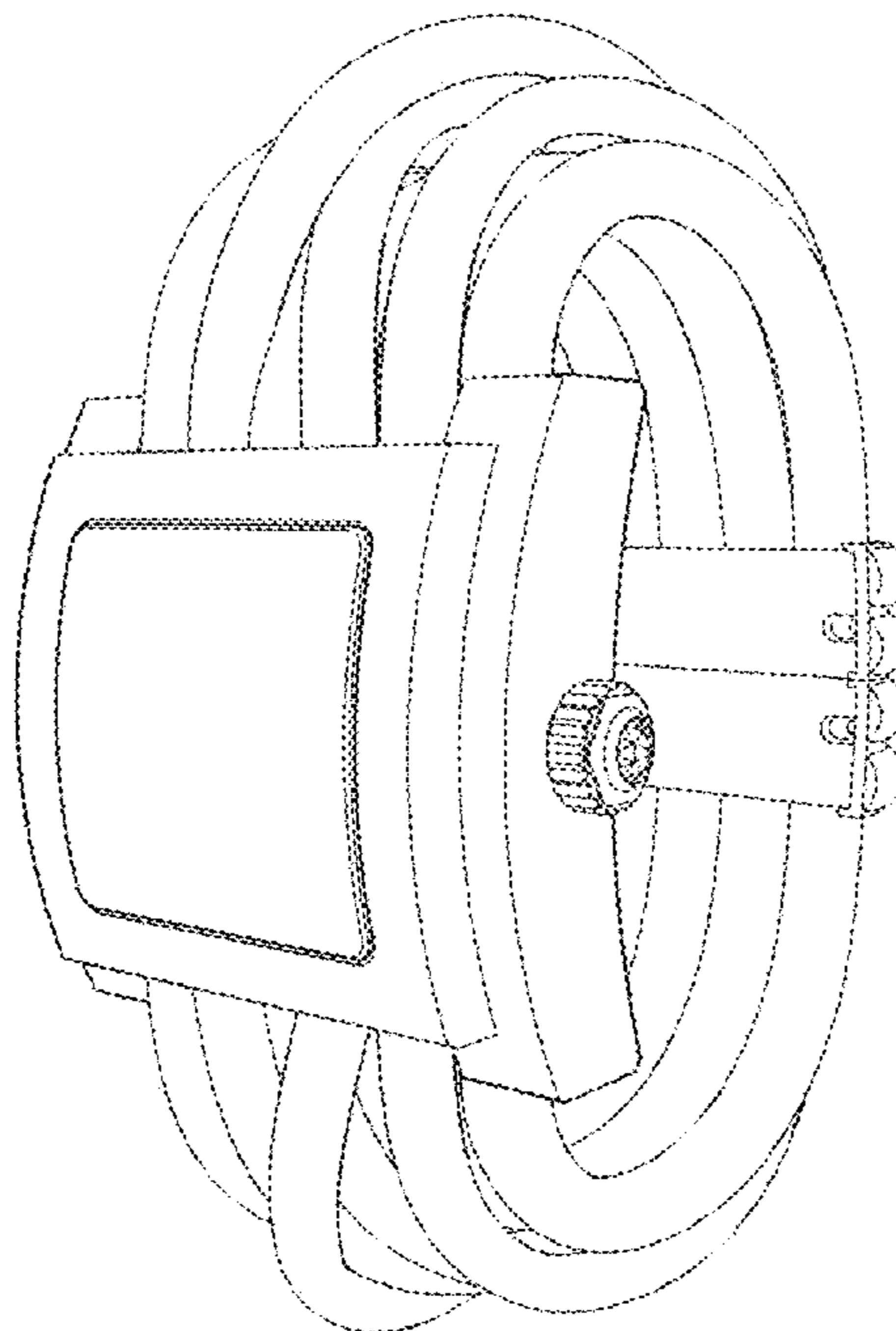
(57) **CLAIM**
The ornamental design for a wrist watch, as shown and described.

DESCRIPTION

FIG. 1 is a right front perspective view of a wrist watch showing my new design;
FIG. 2 is a front elevational view thereof;
FIG. 3 is a rear elevational view thereof;
FIG. 4 is a right side elevational view thereof;
FIG. 5 is a top plan view thereof;
FIG. 6 is a bottom plan view thereof; and,
FIG. 7 is a left side elevational view thereof.
The structural features depicted by broken lines in FIGS. 3, 5 and 6 have been shown for the purpose of illustrating portions of the wrist watch which form no part of the claimed design.

(56) **References Cited**
U.S. PATENT DOCUMENTS
D44,048 S * 5/1913 Worms D10/32
D104,099 S * 4/1937 Graef D10/32

1 Claim, 7 Drawing Sheets



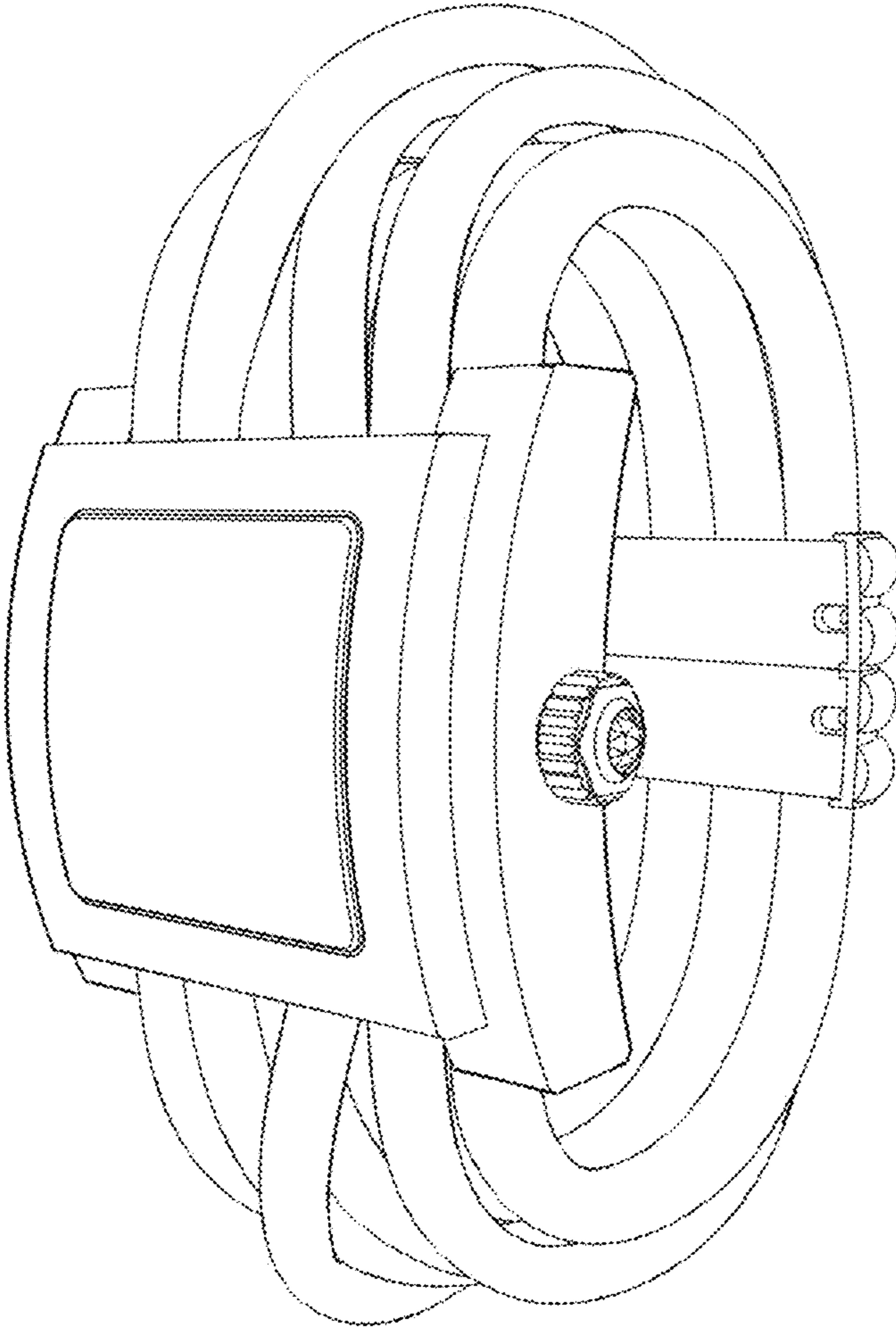


FIGURE 1

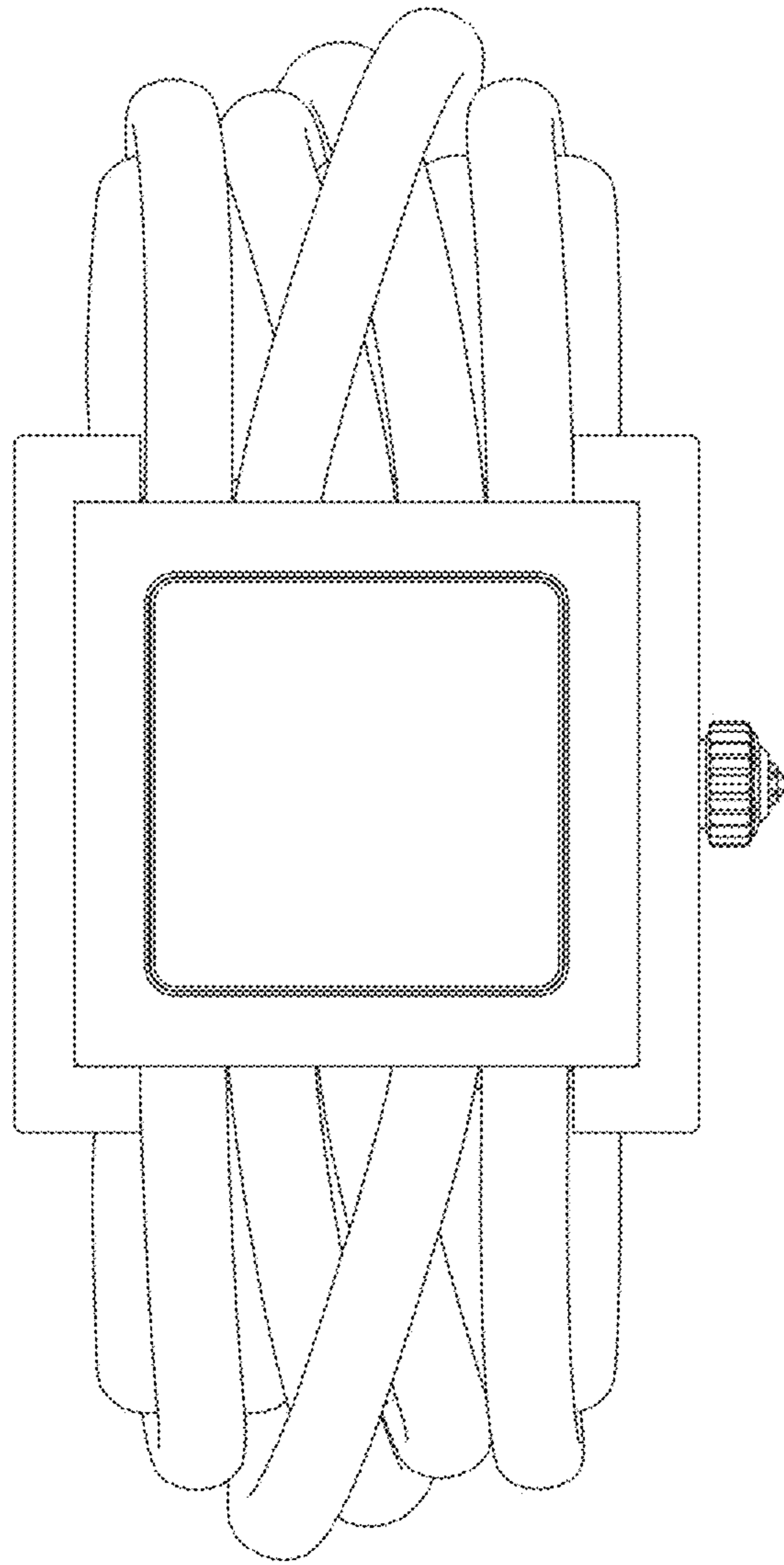


FIGURE 2

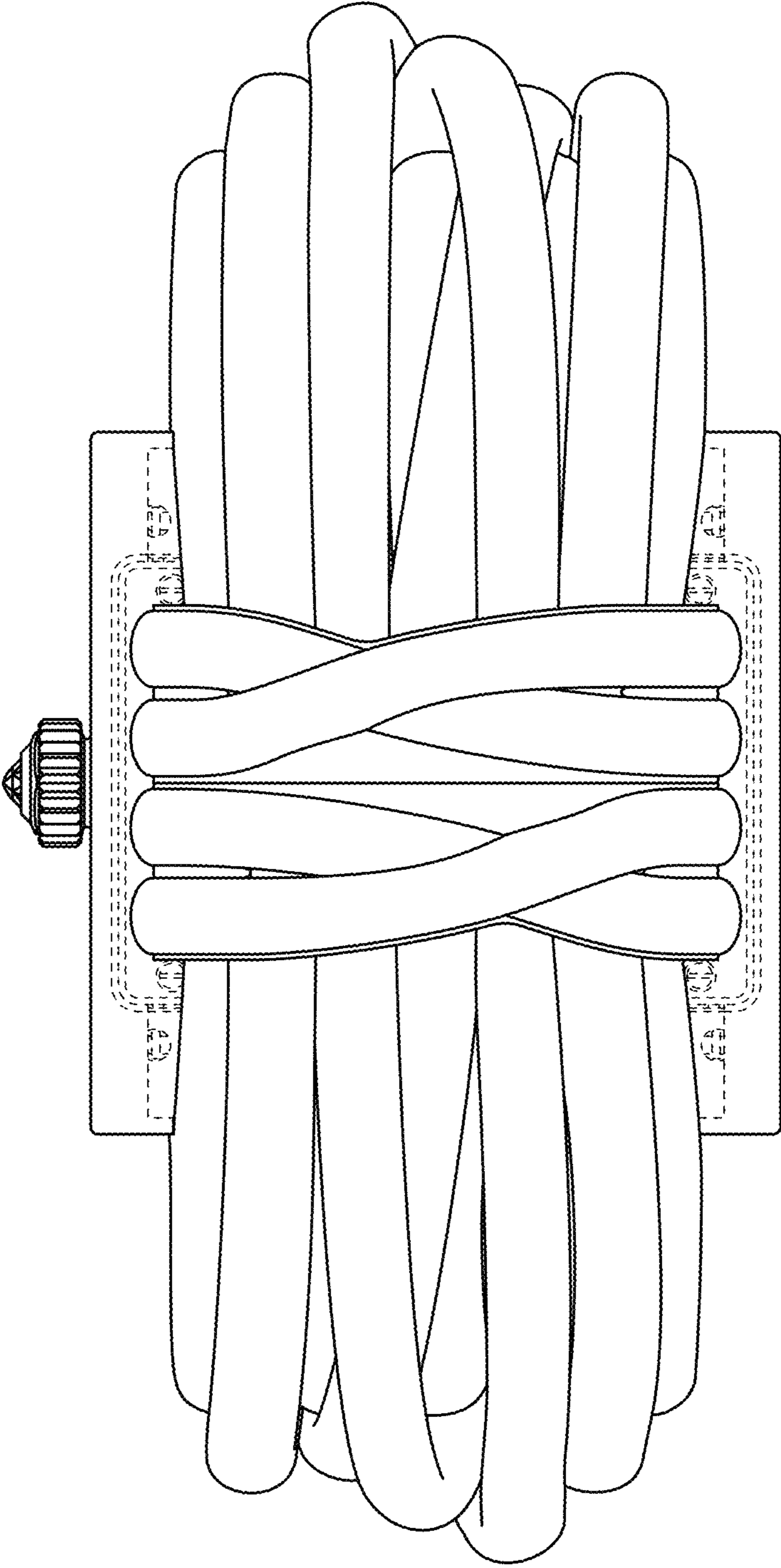


FIGURE 3

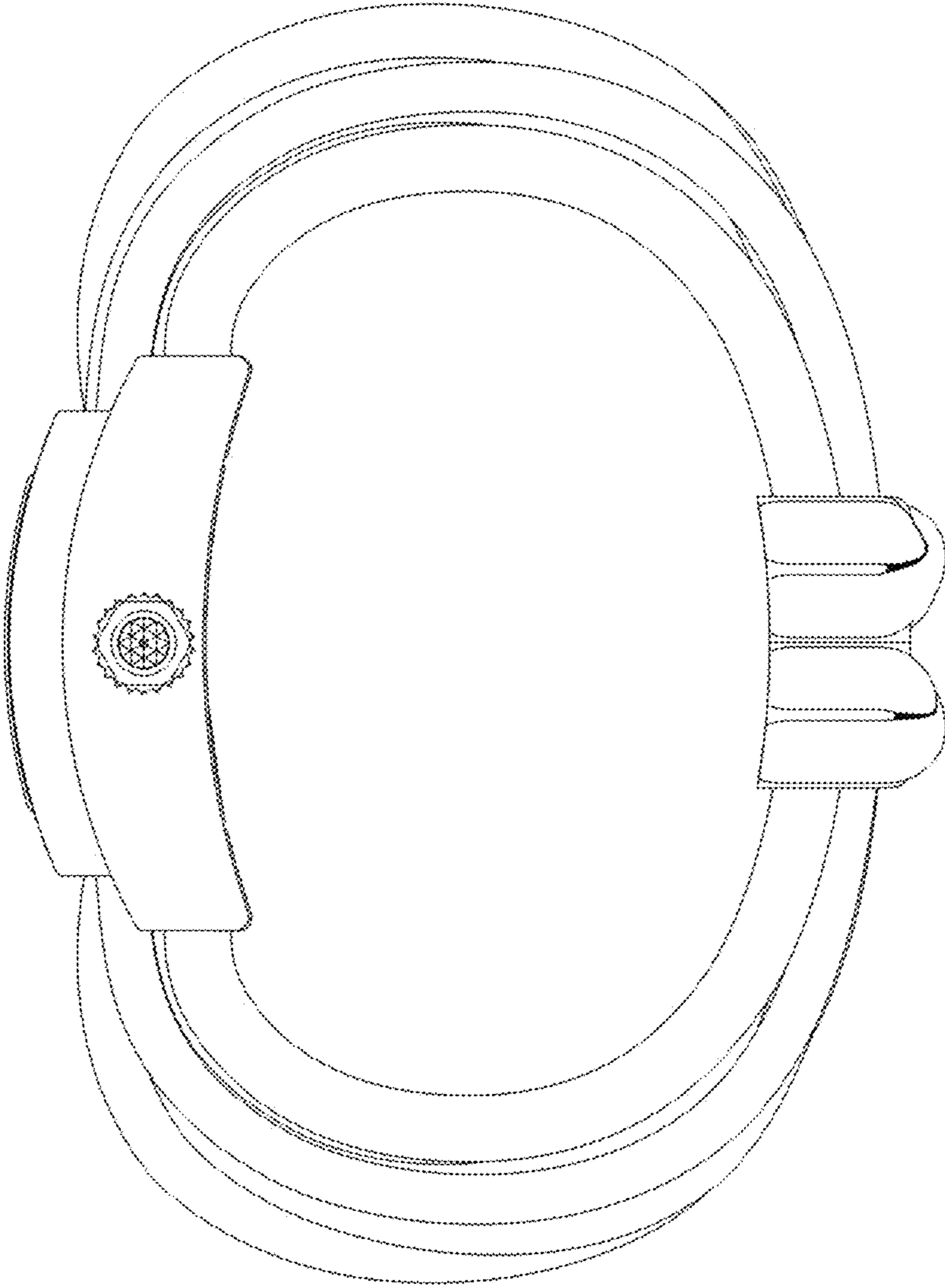


FIGURE 4

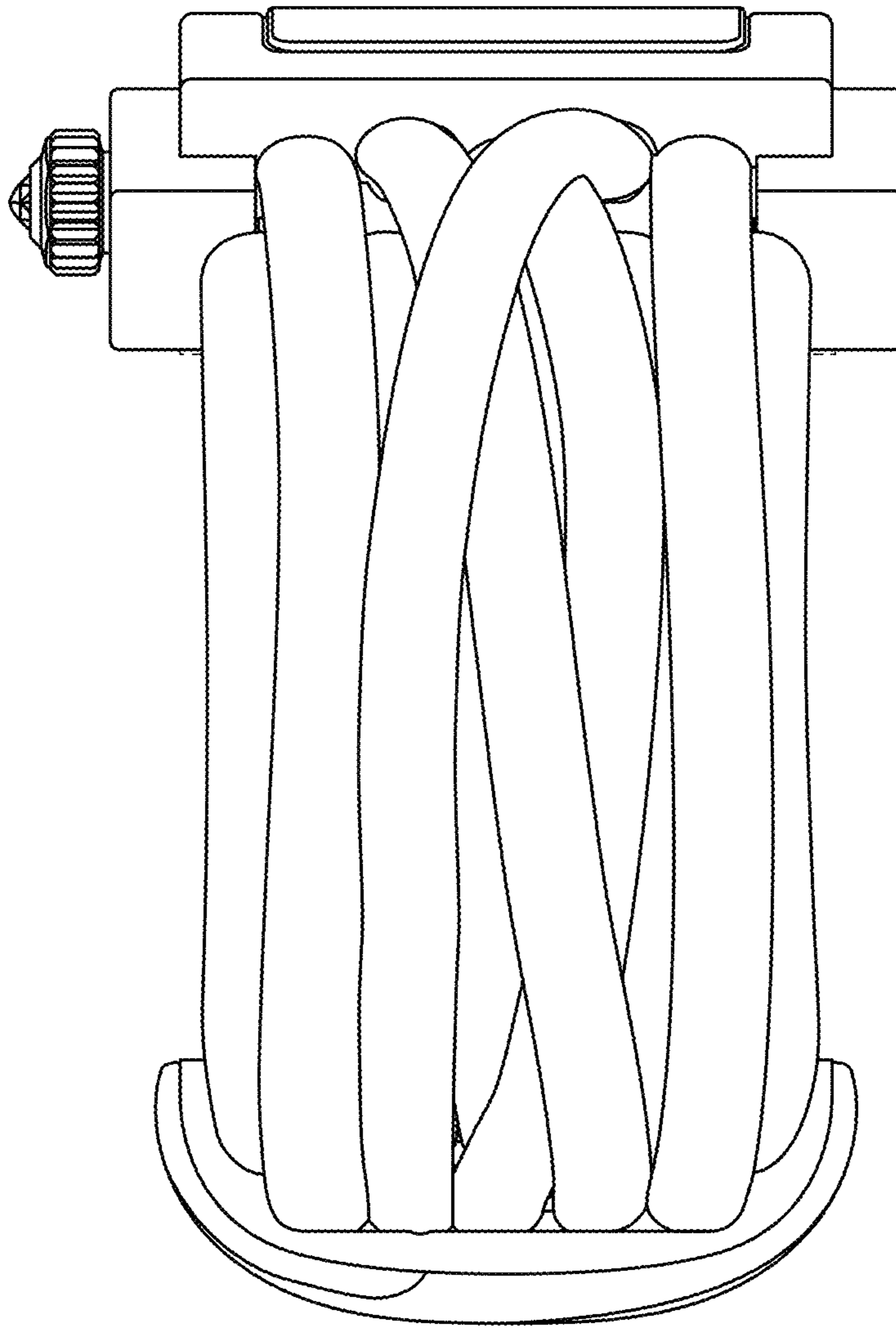


FIGURE 5

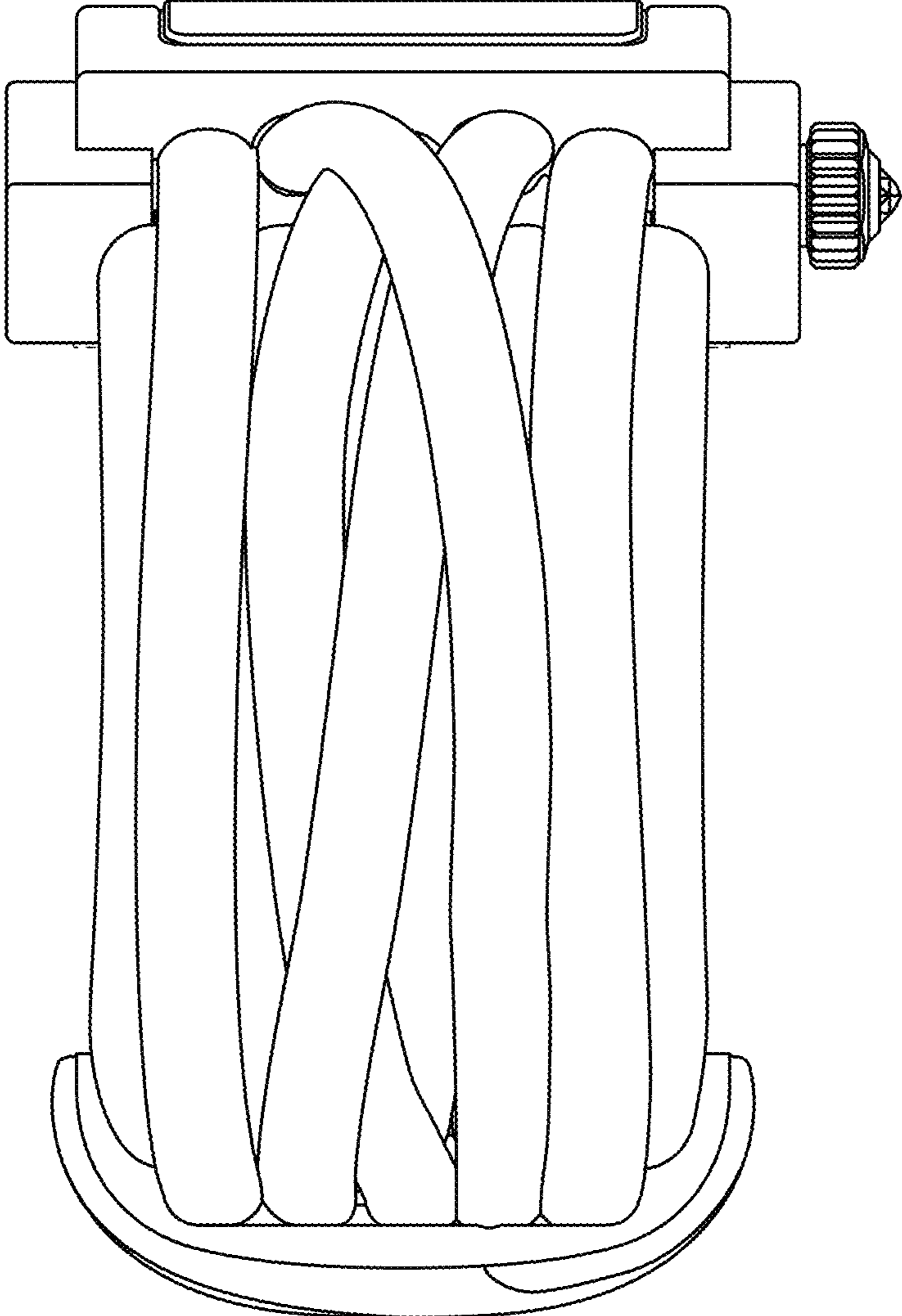


FIGURE 6

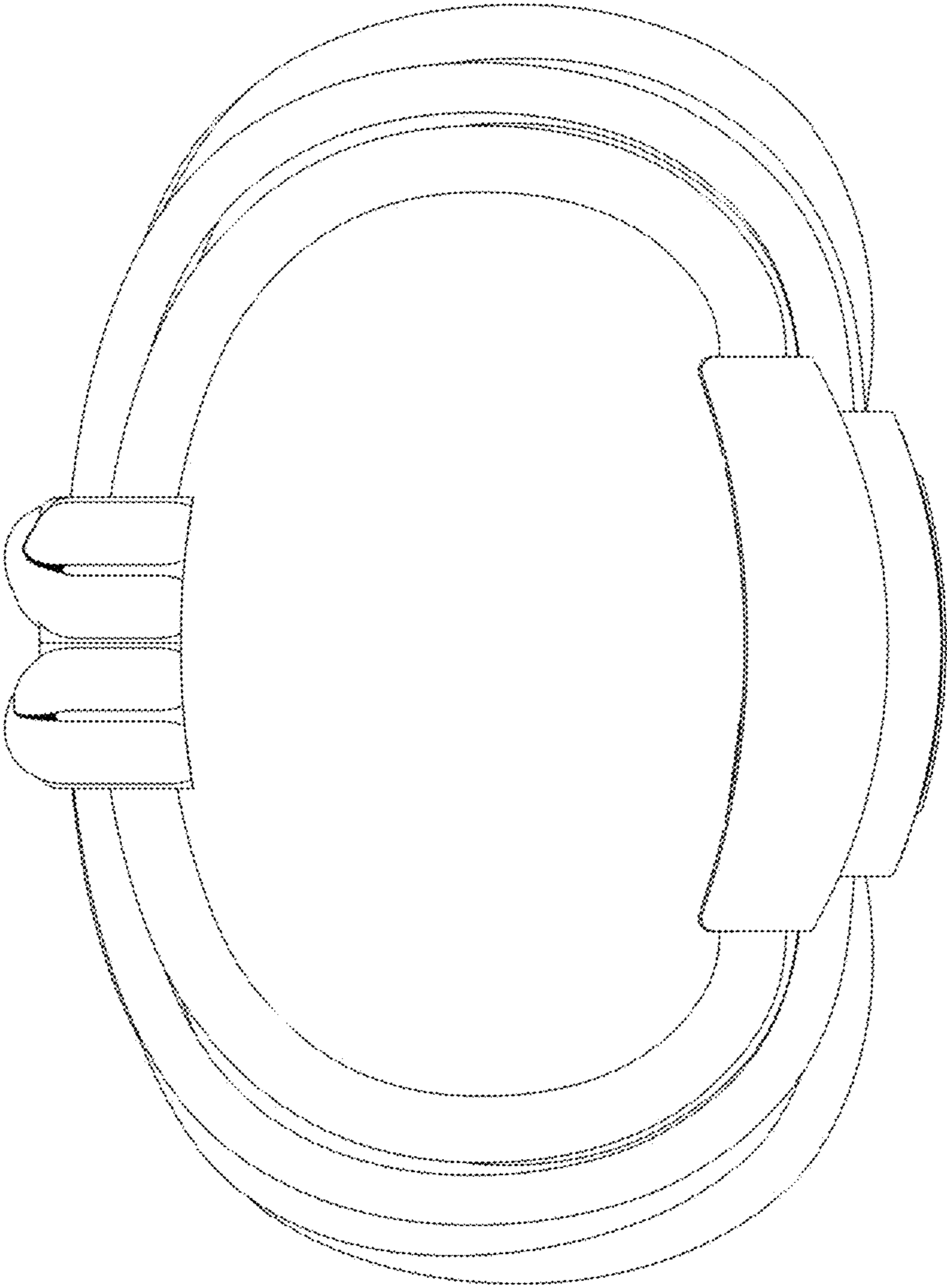


FIGURE 7