

US00D762124S

(12) **United States Design Patent**
Giles

(10) **Patent No.:** **US D762,124 S**

(45) **Date of Patent:** **** Jul. 26, 2016**

(54) **BASKETBALL BOTTLE**

(56) **References Cited**

(71) Applicant: **Carleton J. Giles**, Columbia, SC (US)

U.S. PATENT DOCUMENTS

(72) Inventor: **Carleton J. Giles**, Columbia, SC (US)

D287,766 S *	1/1987	Simmons	D7/901
D427,057 S *	6/2000	Roth	D7/901
D513,686 S *	1/2006	Bailey	D7/507
D526,906 S *	8/2006	Yorn	D9/538
D529,816 S *	10/2006	Yorn	D9/538
D540,692 S *	4/2007	Yorn	D9/538
D549,107 S *	8/2007	Bourne	D9/538
D710,710 S *	8/2014	Martin	D9/668

(**) Term: **14 Years**

(21) Appl. No.: **29/522,336**

* cited by examiner

(22) Filed: **Mar. 30, 2015**

(51) **LOC (10) Cl.** **09-01**

Primary Examiner — Sandra Morris

(52) **U.S. Cl.**

(74) *Attorney, Agent, or Firm* — Southeast IP Group, LLC.;
Thomas L. Moses

USPC **D9/668**

(57) **CLAIM**

(58) **Field of Classification Search**

The ornamental design for a basketball bottle, as shown and described.

USPC D3/270, 271.1–271.4; D7/514–520,
D7/599, 604, 613, 619.2, 623, 628, 901;

DESCRIPTION

D9/600, 668, 500, 502–505, 516,

FIG. 1 is a front view of my design for a basketball bottle.

D9/522–523, 537–546, 549–553, 556–560,

FIG. 2 is a right side view thereof.

D9/574–575; 206/457, 459.5, 527;

FIG. 3 is a left side view thereof.

215/381–384, 400; 220/288

FIG. 4 is a rear view thereof.

CPC B65D 5/4258; B65D 81/60; B65D 81/365;

FIG. 5 is a top plan view thereof; and,

B65D 81/366; B65D 81/368; B65D 2203/00;

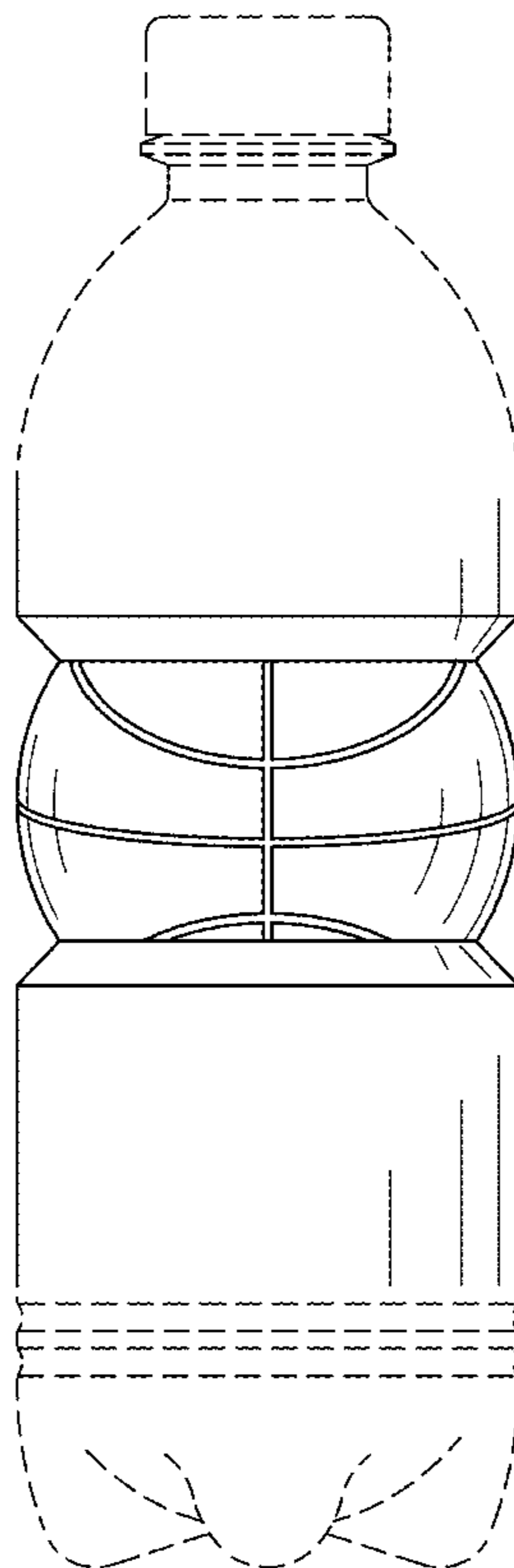
FIG. 6 is a bottom plan view thereof.

B65D 2203/02

The top and bottom of the basketball bottle shown in broken lines illustrates that portion of the article in which the design is embodied that forms no part of the claim.

See application file for complete search history.

1 Claim, 5 Drawing Sheets



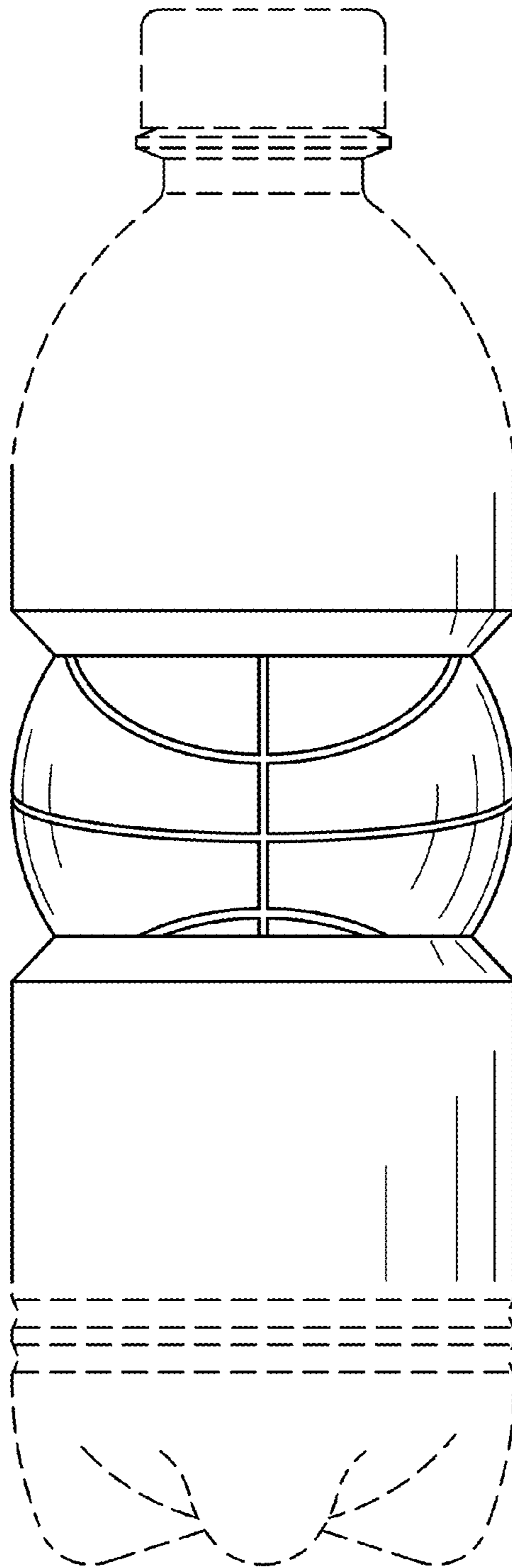


FIG. 1

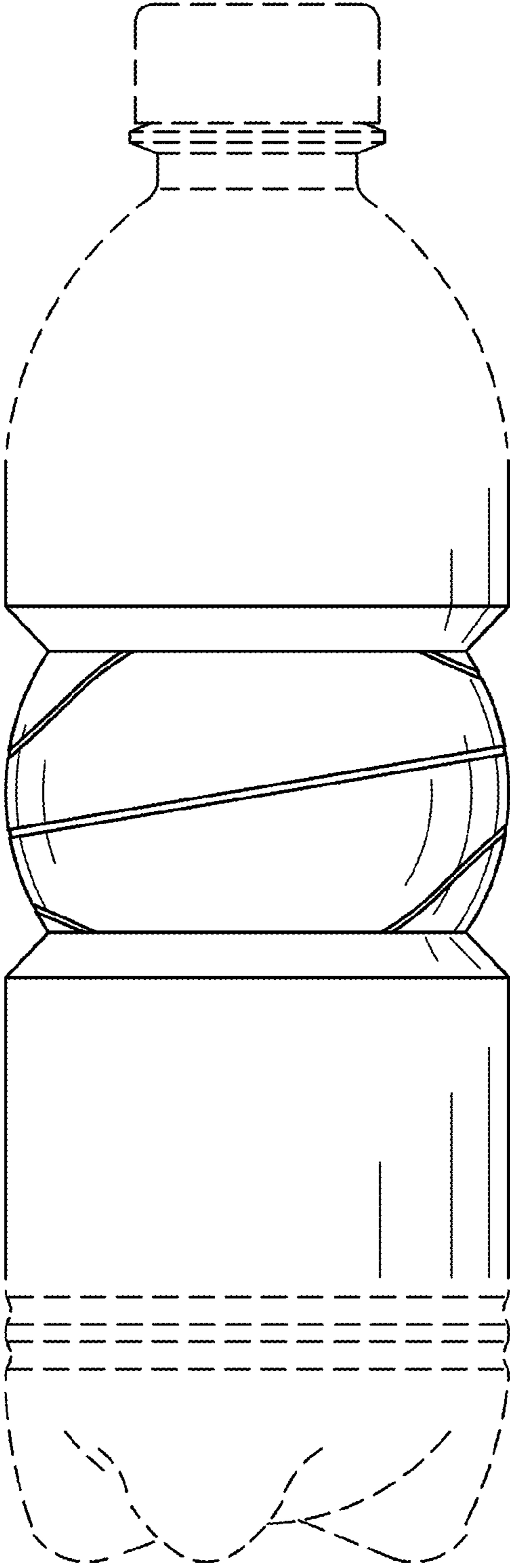


FIG. 2

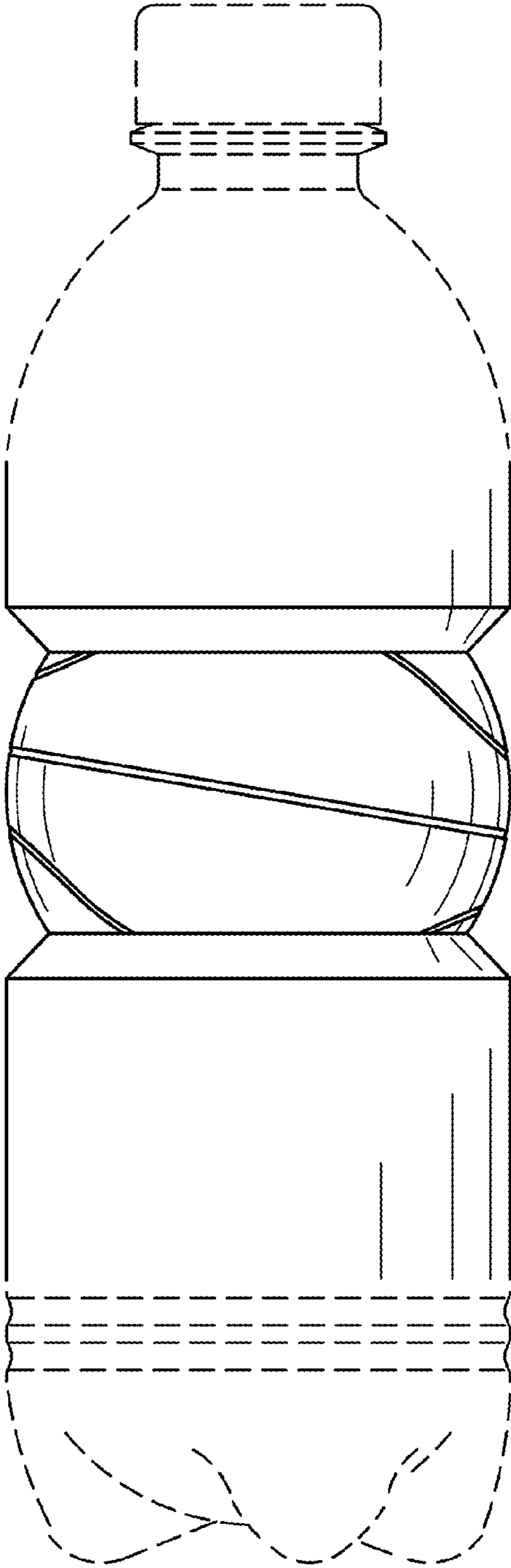


FIG. 3

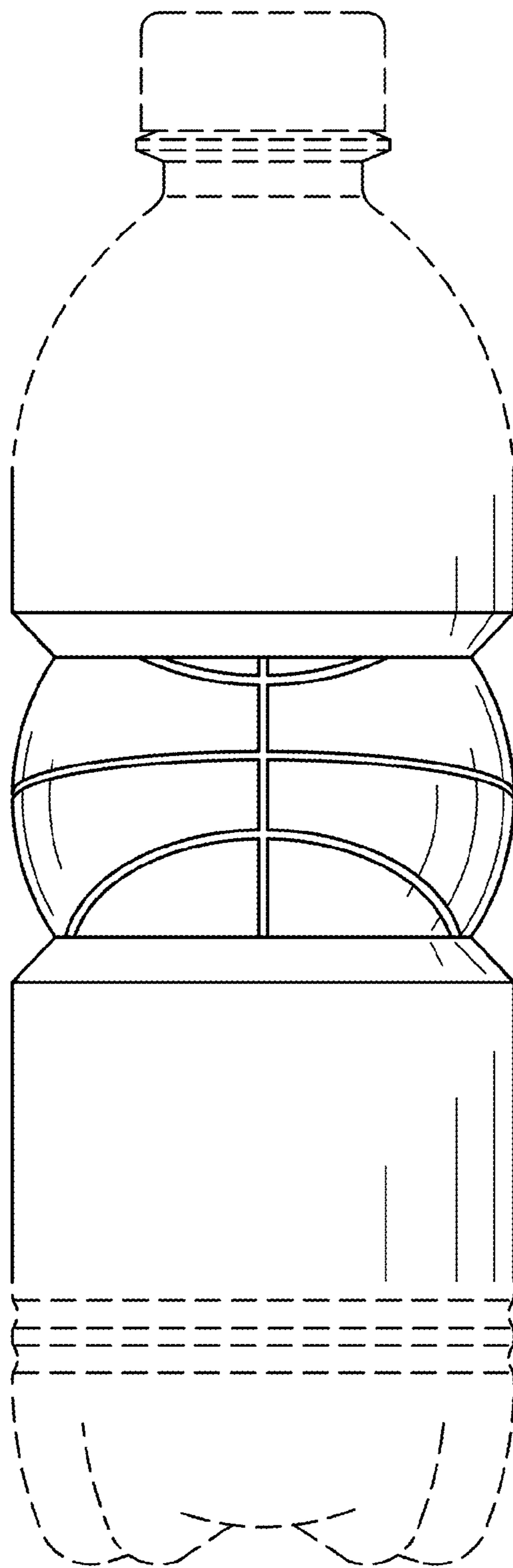


FIG. 4

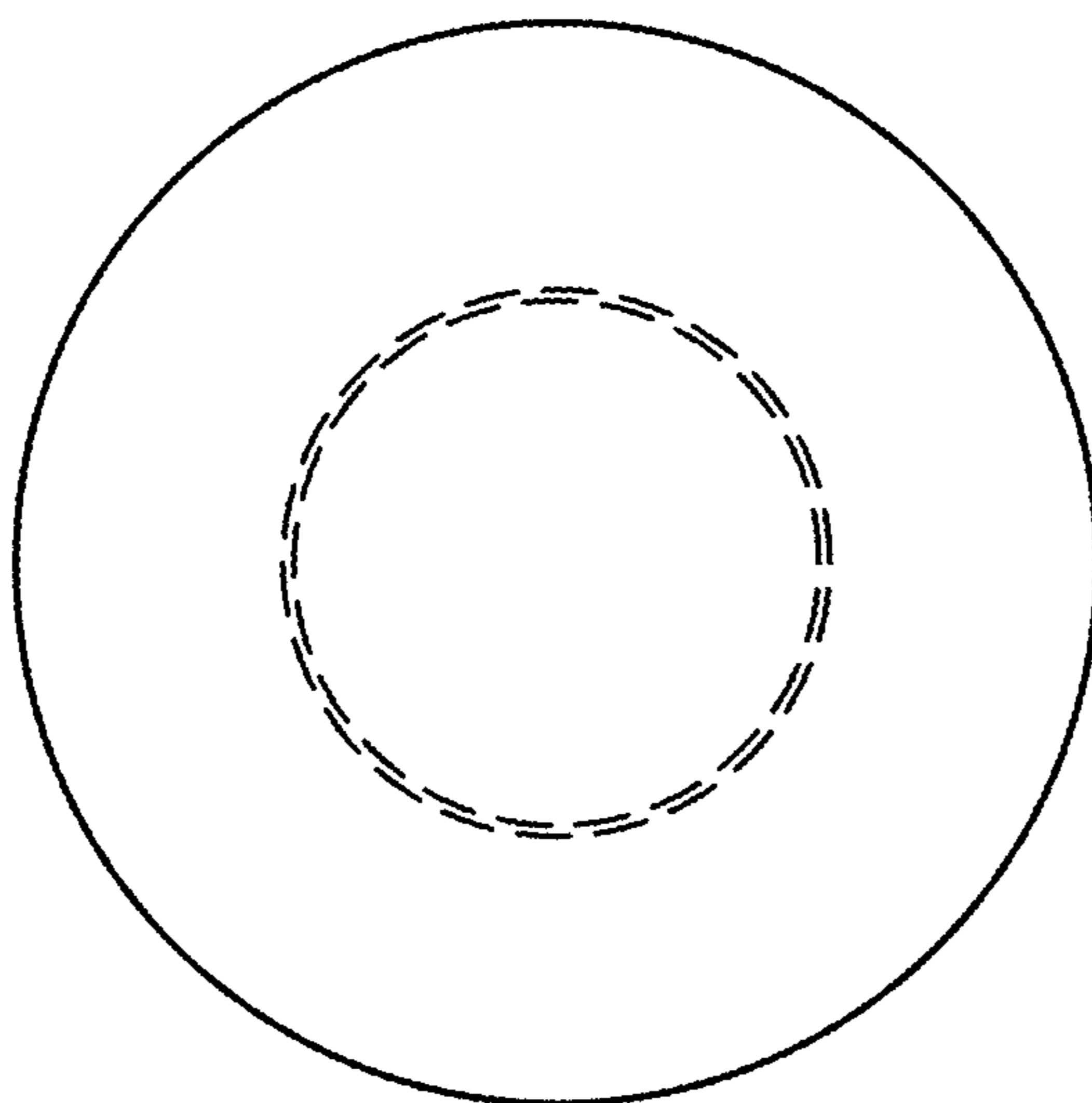


FIG. 5

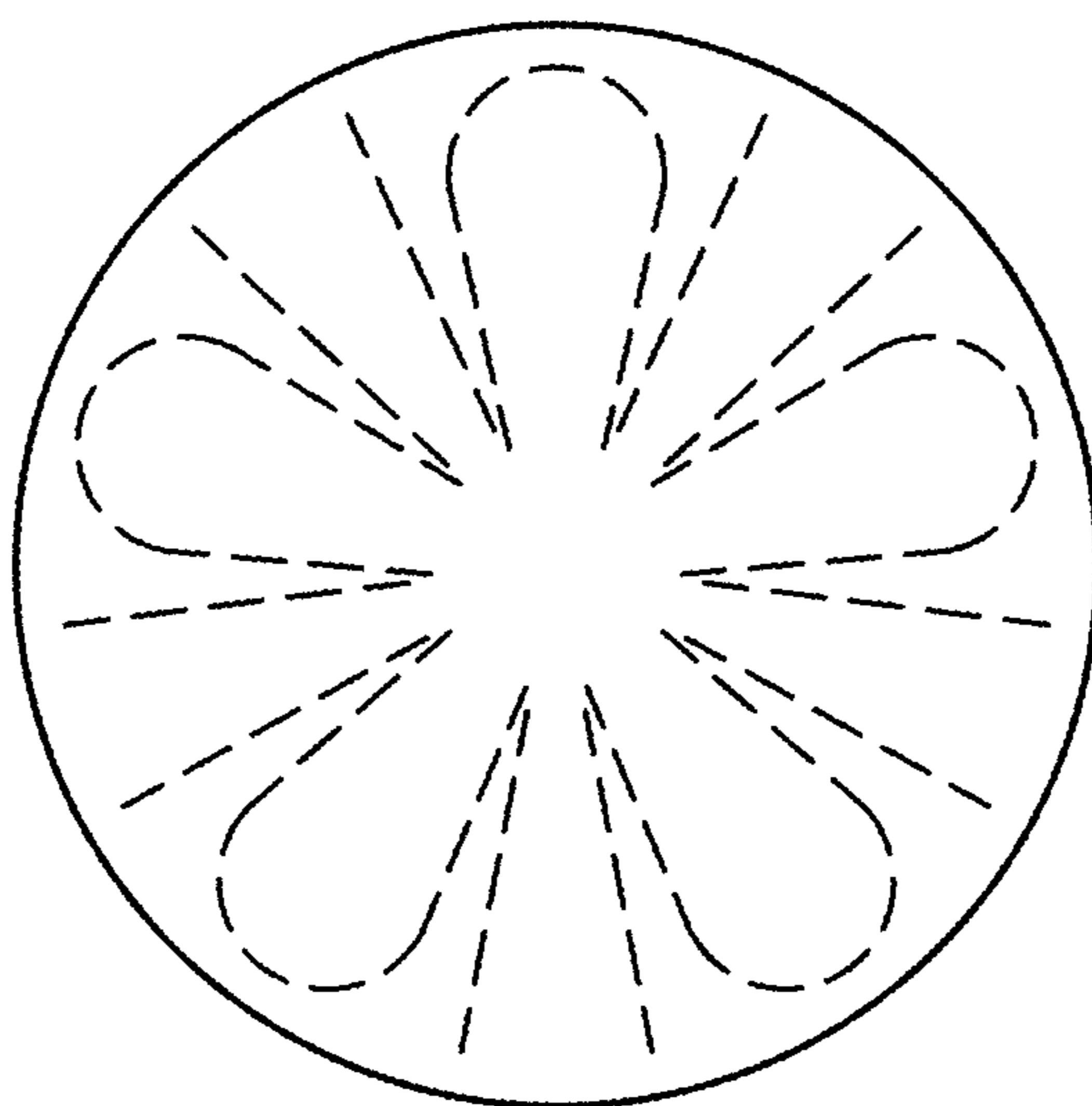


FIG. 6