

US00D762119S

(12) **United States Design Patent**
Thibodeau

(10) **Patent No.:** **US D762,119 S**
(45) **Date of Patent:** **** Jul. 26, 2016**

- (54) **BOTTLE WITH INTEGRAL HANDLE**
- (71) Applicant: **DT Inventions**, Houston, TX (US)
- (72) Inventor: **James Alfred Thibodeau**, Gahanna, OH (US)
- (73) Assignee: **DT Inventions**, Houston, TX (US)
- (**) Term: **14 Years**
- (21) Appl. No.: **29/468,890**
- (22) Filed: **Oct. 4, 2013**
- (51) **LOC (10) Cl.** **09-01**
- (52) **U.S. Cl.**
USPC **D9/516; D9/530**
- (58) **Field of Classification Search**
USPC D9/434-435, 516, 530-531, 534,
D9/536-538, 540-541, 543, 549, 558, 715,
D9/719
CPC B65D 1/00; B65D 1/26; B65D 1/265;
B65D 23/00; B65D 23/10; B65D 23/104;
B65D 81/00; B65D 2501/00; B65D 2501/0009
See application file for complete search history.

(56) **References Cited**

U.S. PATENT DOCUMENTS

- D239,366 S * 3/1976 Lasseaux D9/536
- 4,273,246 A * 6/1981 Thompson B29C 49/54
215/398

- 4,629,598 A * 12/1986 Thompson B65D 23/106
215/383
- D328,253 S * 7/1992 Poore D9/536
- 5,637,167 A * 6/1997 Krishnakumar B29C 65/665
156/85
- D402,895 S * 12/1998 Takahashi D9/520
- D405,690 S * 2/1999 Takahashi D9/434
- D405,691 S * 2/1999 Takahashi D9/434
- D429,155 S * 8/2000 Beale D9/520

* cited by examiner

Primary Examiner — Dana L Meyrow

(74) *Attorney, Agent, or Firm* — Osha Liang LLP

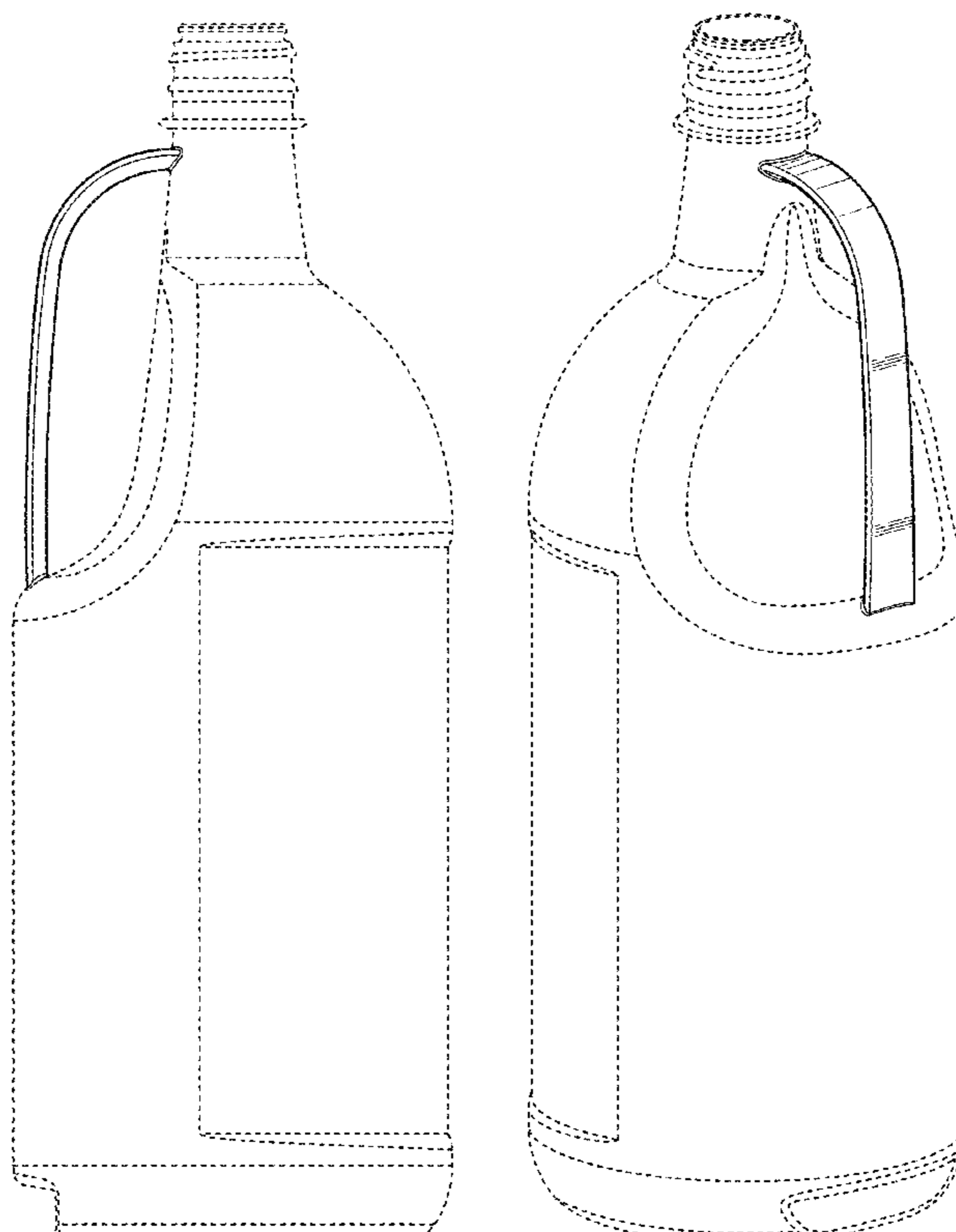
(57) **CLAIM**

I claim the ornamental design for a bottle with integral handle, as shown and described.

DESCRIPTION

FIG. 1 shows a back view of a bottle with integral handle, according to the new design;
 FIG. 2 shows a side view thereof;
 FIG. 3 shows a top view thereof; and,
 FIG. 4 shows a perspective view thereof.
 The broken lines in the drawings illustrate the portions of the bottle with integral handle that form no part of the claim.

1 Claim, 4 Drawing Sheets



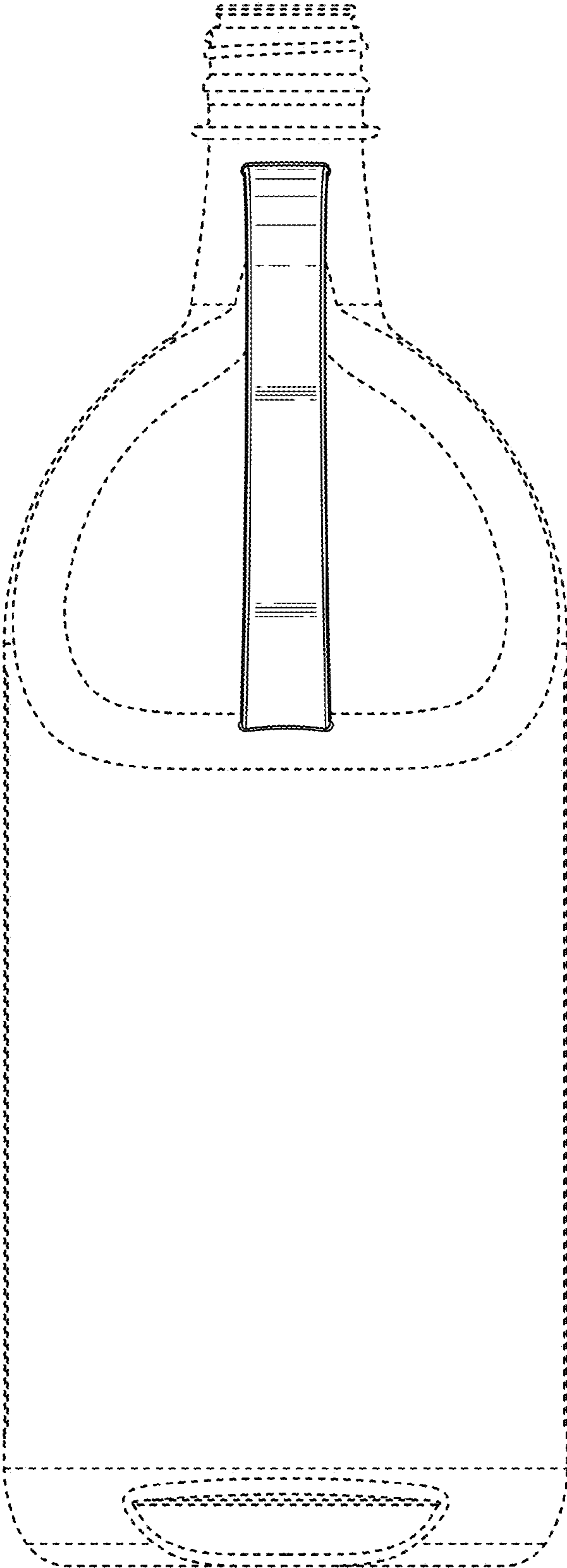


FIG. 1

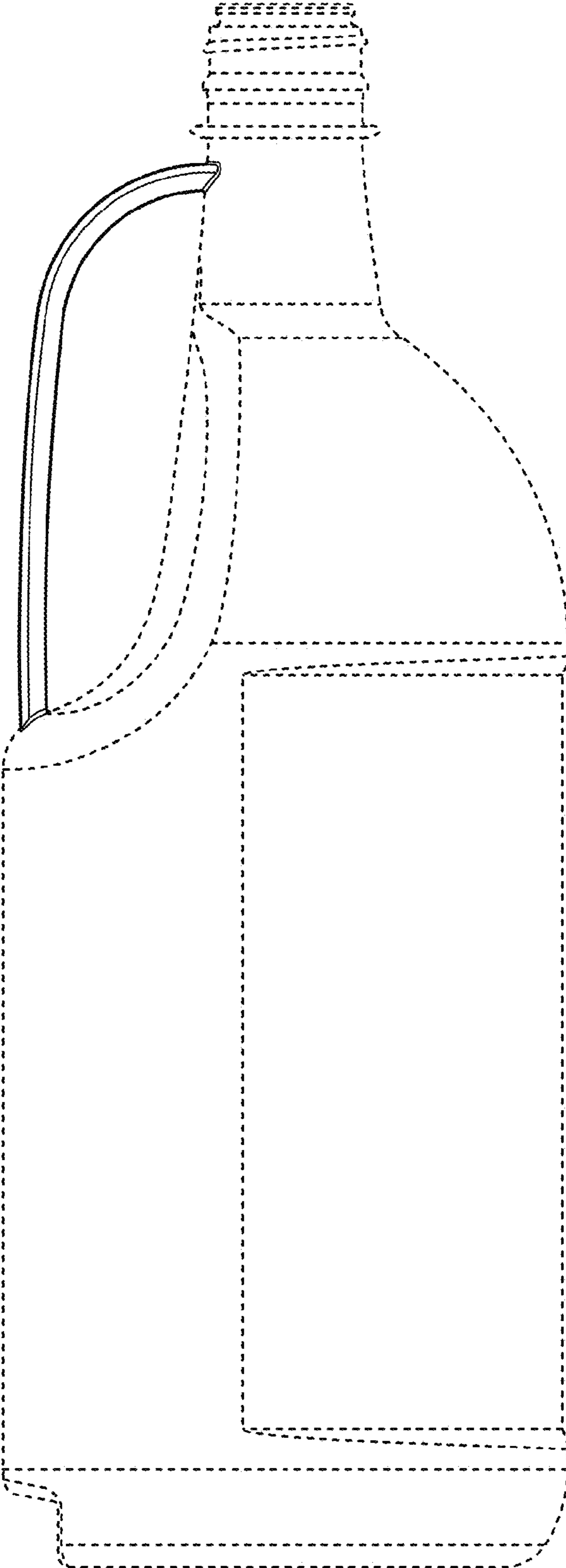


FIG. 2

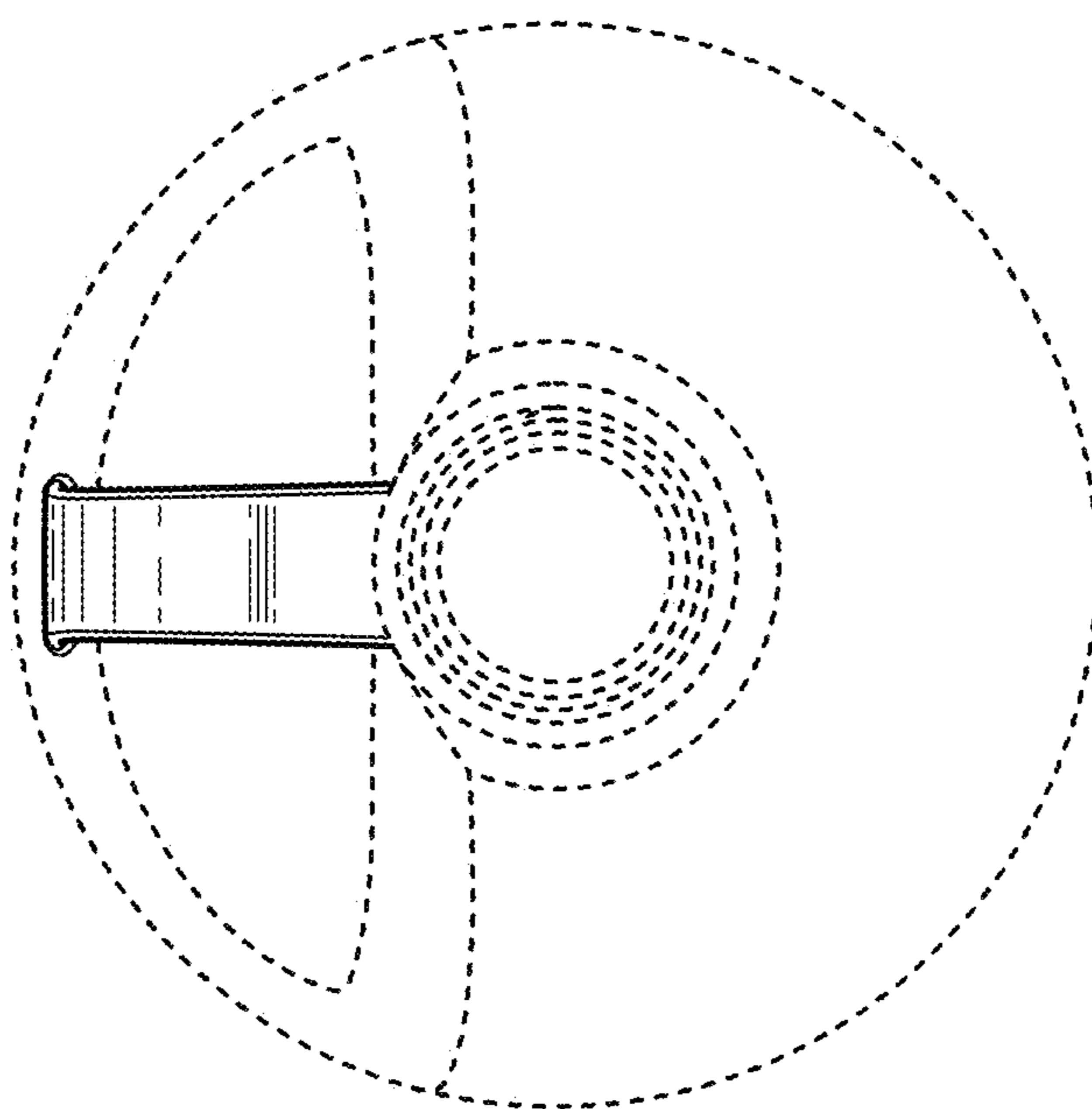


FIG. 3

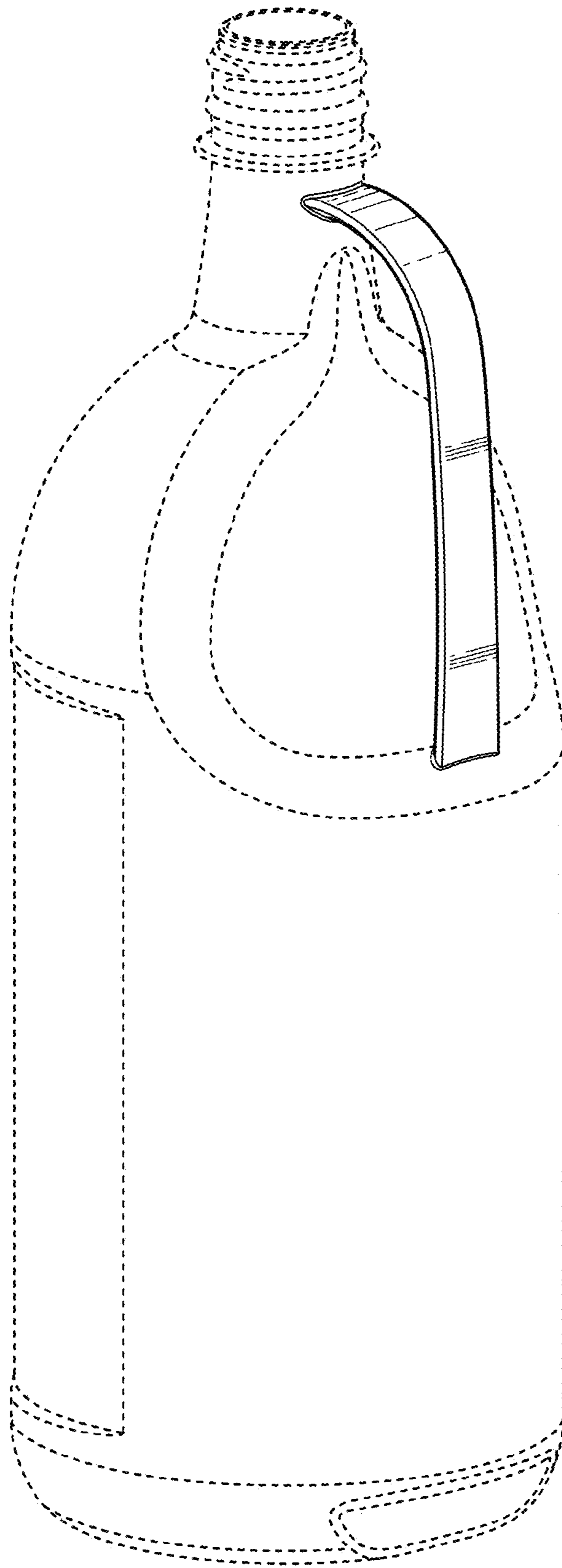


FIG. 4