



US00D762118S

(12) **United States Design Patent**
Velmer et al.

(10) **Patent No.:** **US D762,118 S**
(45) **Date of Patent:** **** Jul. 26, 2016**

- (54) **BOTTLE**
- (71) Applicant: **Mead Johnson Nutrition Company**,
Glenview, IL (US)
- (72) Inventors: **Marc S. Velmer**, Evansville, IN (US);
Thomas C. Horton, Newburgh, IN
(US); **Patrick E. McCallister**,
Newburgh, IN (US)
- (73) Assignee: **Mead Johnson Nutrition Company**,
Glenview, IL (US)
- (**) Term: **14 Years**
- (21) Appl. No.: **29/493,786**
- (22) Filed: **Jun. 13, 2014**
- (51) **LOC (10) Cl.** **09-01**
- (52) **U.S. Cl.**
USPC **D9/504**; D9/445; D9/454; D9/529
- (58) **Field of Classification Search**
USPC D9/434-435, 444-445, 454, 500,
D9/503-504, 516, 529-530, 537, 539, 549,
D9/552, 558, 715, 719; D7/509-511, 523,
D7/601-602, 608, 629-630; D24/197
CPC B65D 1/00; B65D 1/02; B65D 1/0223;
B65D 23/00; B65D 81/00; B65D 81/3837;
B65D 2501/00; B65D 2501/0009
See application file for complete search history.

(56) **References Cited**

U.S. PATENT DOCUMENTS

D225,725 S	*	1/1973	Pettengill	D9/500
D447,693 S	*	9/2001	Warner	D9/450
D452,437 S	*	12/2001	Bezek	D9/502
D452,440 S	*	12/2001	Bezek	D9/502
D454,282 S	*	3/2002	Mano	D7/608
D456,218 S	*	4/2002	Hatsumoto	D7/608
D471,458 S		3/2003	Booth et al.		

D478,669 S		8/2003	Wear		
D490,709 S		6/2004	Bezek		
D497,672 S		10/2004	Renz		
D516,428 S		3/2006	Bezek et al.		
D528,920 S		9/2006	Priestman		
D536,220 S	*	2/2007	Sandberg	D7/608
D564,841 S	*	3/2008	Clemens	D7/509
D565,795 S	*	4/2008	Ivanova	D28/76
D574,244 S		8/2008	Lin		
D576,494 S		9/2008	Bakic		
D580,708 S		11/2008	George		
D582,278 S		12/2008	Bourne		
D605,945 S		12/2009	Macaulay et al.		
D617,193 S	*	6/2010	Casey	D9/453
D620,800 S		8/2010	Thielman et al.		
D625,424 S		10/2010	Mackay		
D627,600 S	*	11/2010	Eyal	D7/510
D655,610 S		3/2012	Rice et al.		
D658,063 S		4/2012	Simmons et al.		

(Continued)

Primary Examiner — Dana L Meyrow

(74) *Attorney, Agent, or Firm* — Patterson Intellectual
Property Law, P.C; James R. Cartiglia; Lucian Wayne
Beavers

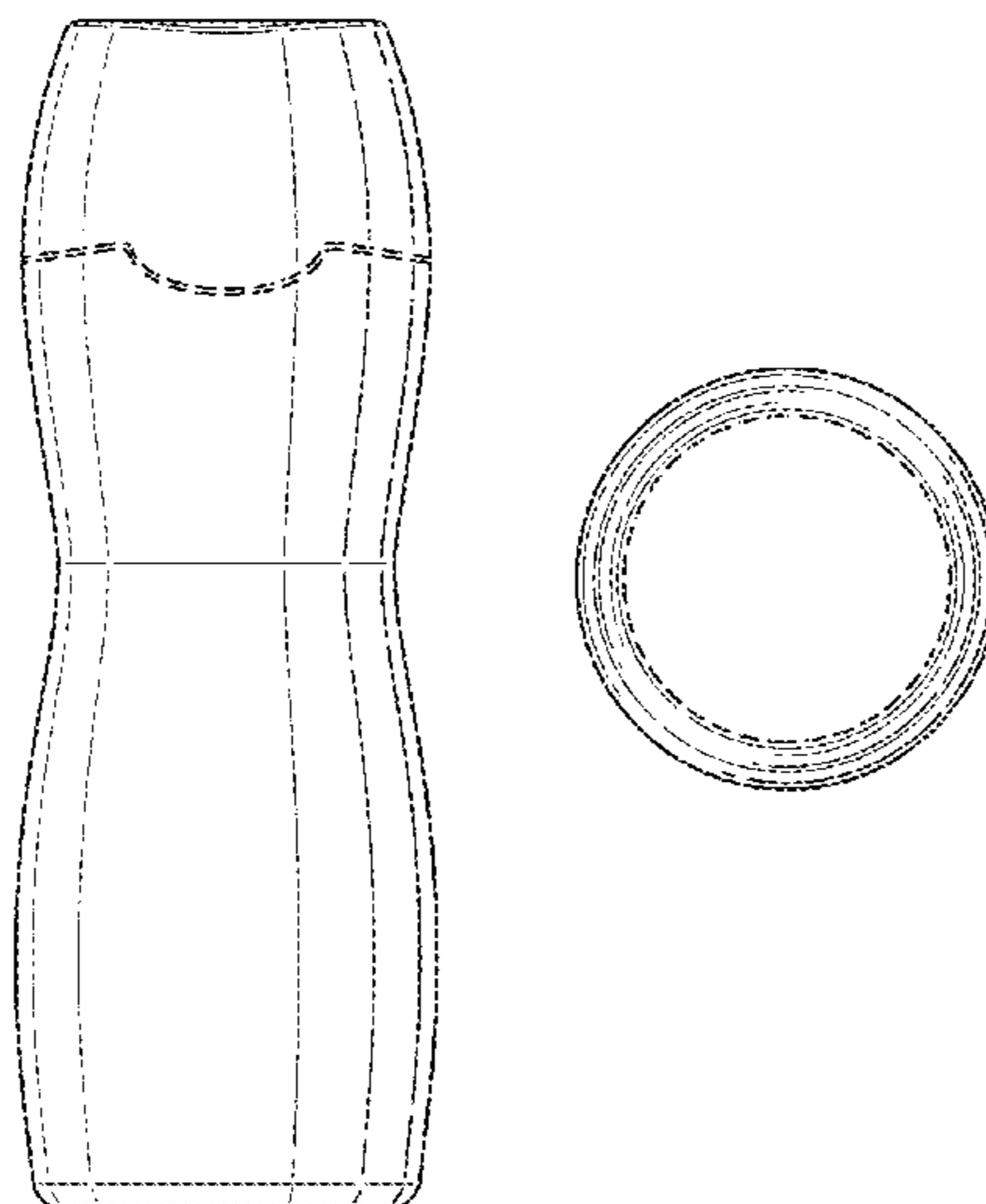
(57) **CLAIM**

What is claimed is the ornamental design for a bottle, as
shown and described.

DESCRIPTION

FIG. 1 is a top perspective view of a bottle;
FIG. 2 is a top plan view of the bottle of FIG. 1;
FIG. 3 is a front elevation view of the bottle of FIG. 1, the rear
elevation view being identical; and,
FIG. 4 is a bottom plan view thereof.
The broken lines in FIGS. 1 & 3 showing the junction
between the cap and the body of the bottle are represent
unclaimed lines on a claimed surface. The broken line in FIG.
4 defines the bounds of the claim. That circular broken line
and the area within forms no part of the claim.

1 Claim, 1 Drawing Sheet



(56)

References Cited

U.S. PATENT DOCUMENTS

D660,155 S *	5/2012	Jenkins	D9/500	D686,918 S *	7/2013	Lembke	D9/500
D662,422 S	6/2012	Avakian		D692,277 S *	10/2013	Smiedt	D7/510
D663,208 S	7/2012	Jenkins		D698,250 S	1/2014	Wade et al.	
D666,166 S	8/2012	Harada		D698,251 S	1/2014	Wade et al.	
D666,912 S	9/2012	Kawai		D703,050 S	4/2014	Lopez et al.	
D674,279 S *	1/2013	Lembke	D7/509	D703,051 S	4/2014	Riley et al.	
D684,268 S	6/2013	Casey		D703,538 S	4/2014	Paredes et al.	
D685,653 S	7/2013	Mowers et al.		D709,761 S *	7/2014	Sanders	D9/445
D686,453 S *	7/2013	Smiedt	D7/510	D717,610 S *	11/2014	Lin	D7/608
				D734,638 S *	7/2015	Wahl	D7/392.1
				D736,562 S *	8/2015	Green	D7/510

* cited by examiner

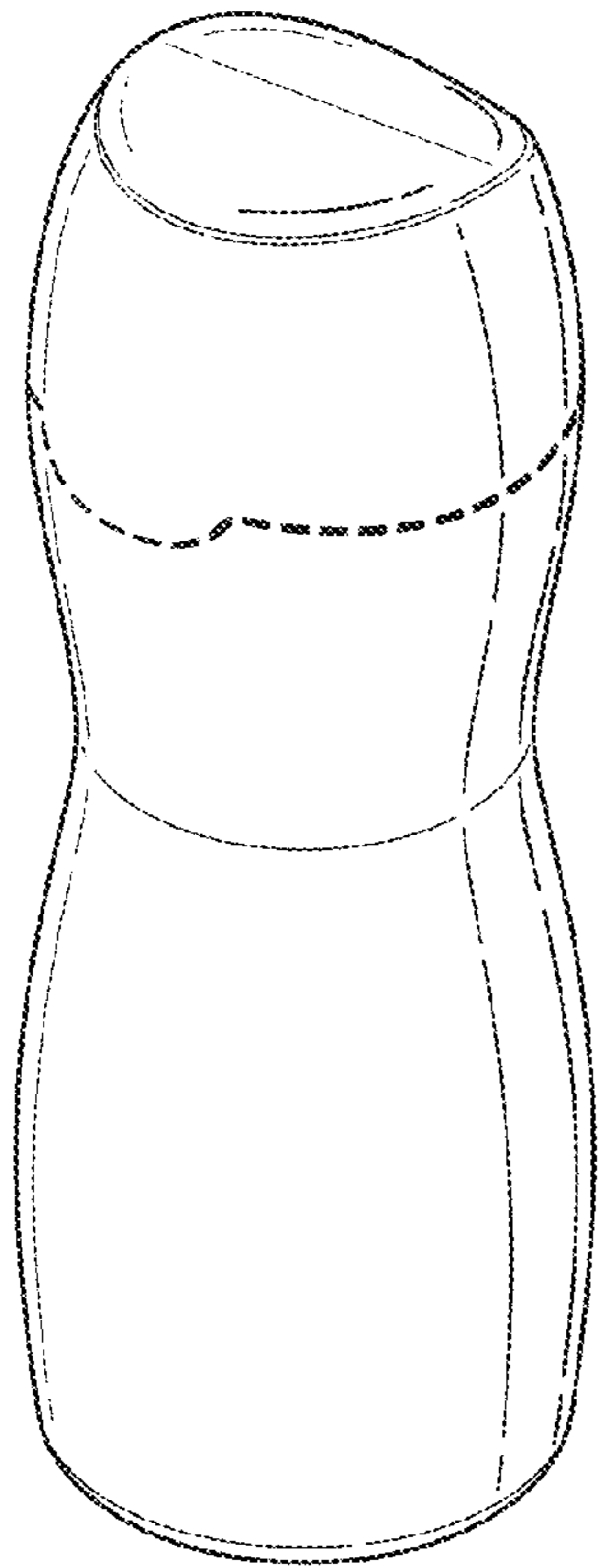


FIG. 1

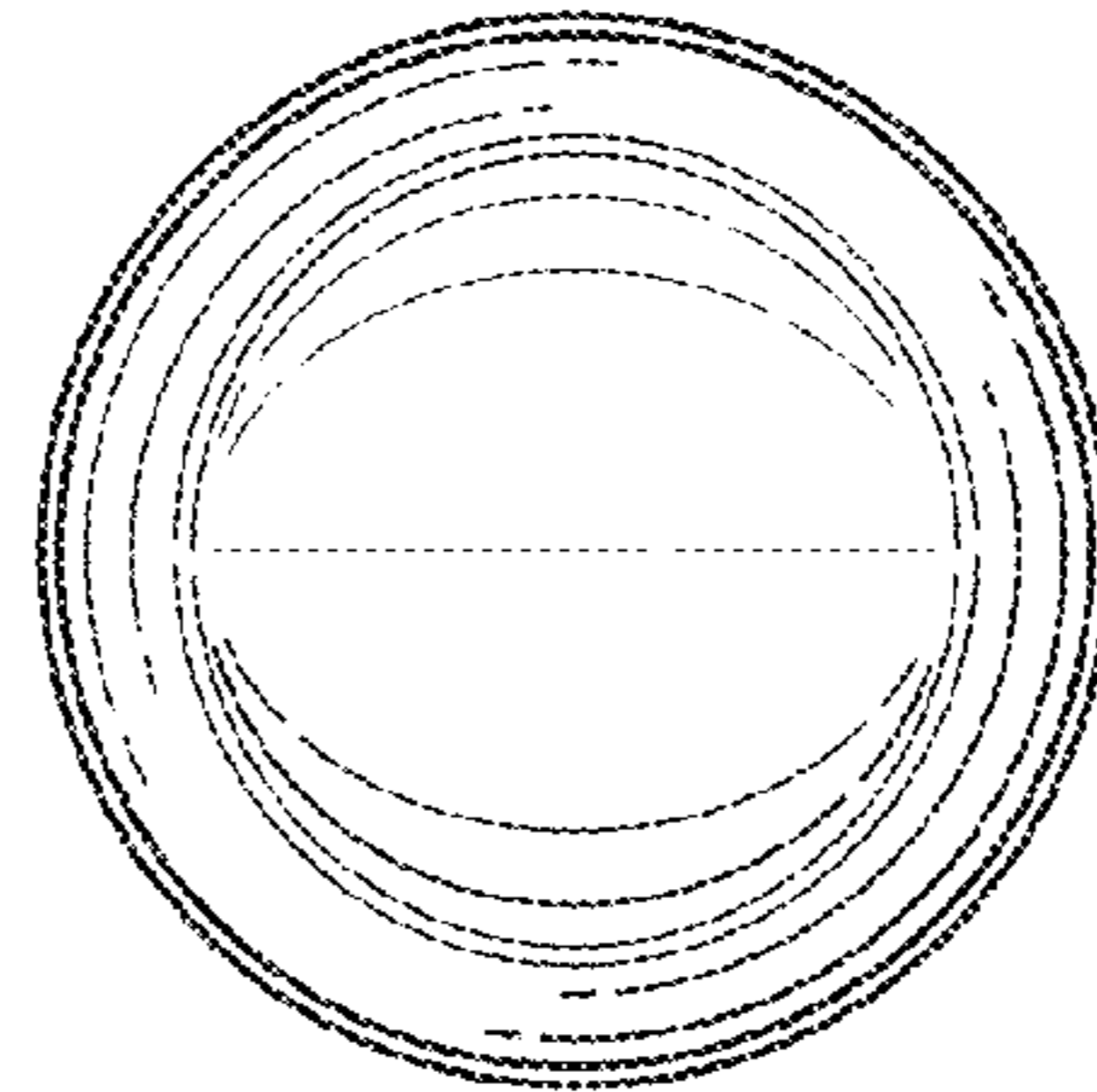


FIG. 2

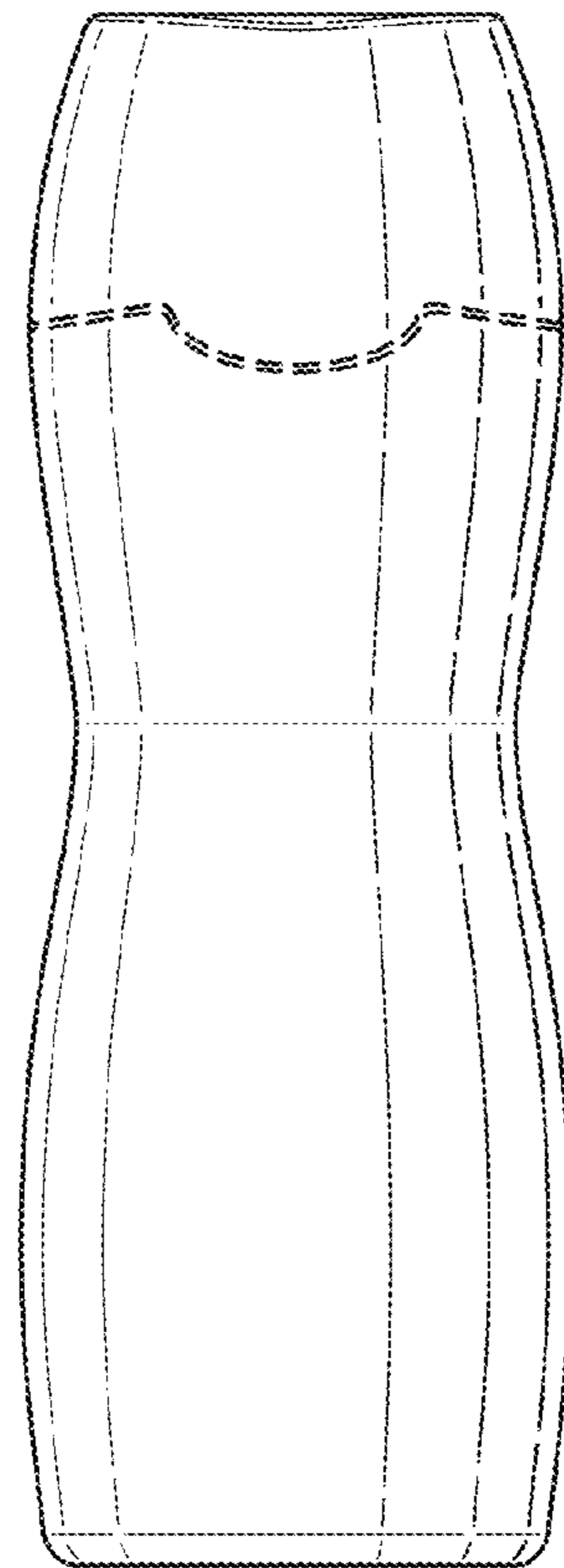


FIG. 3

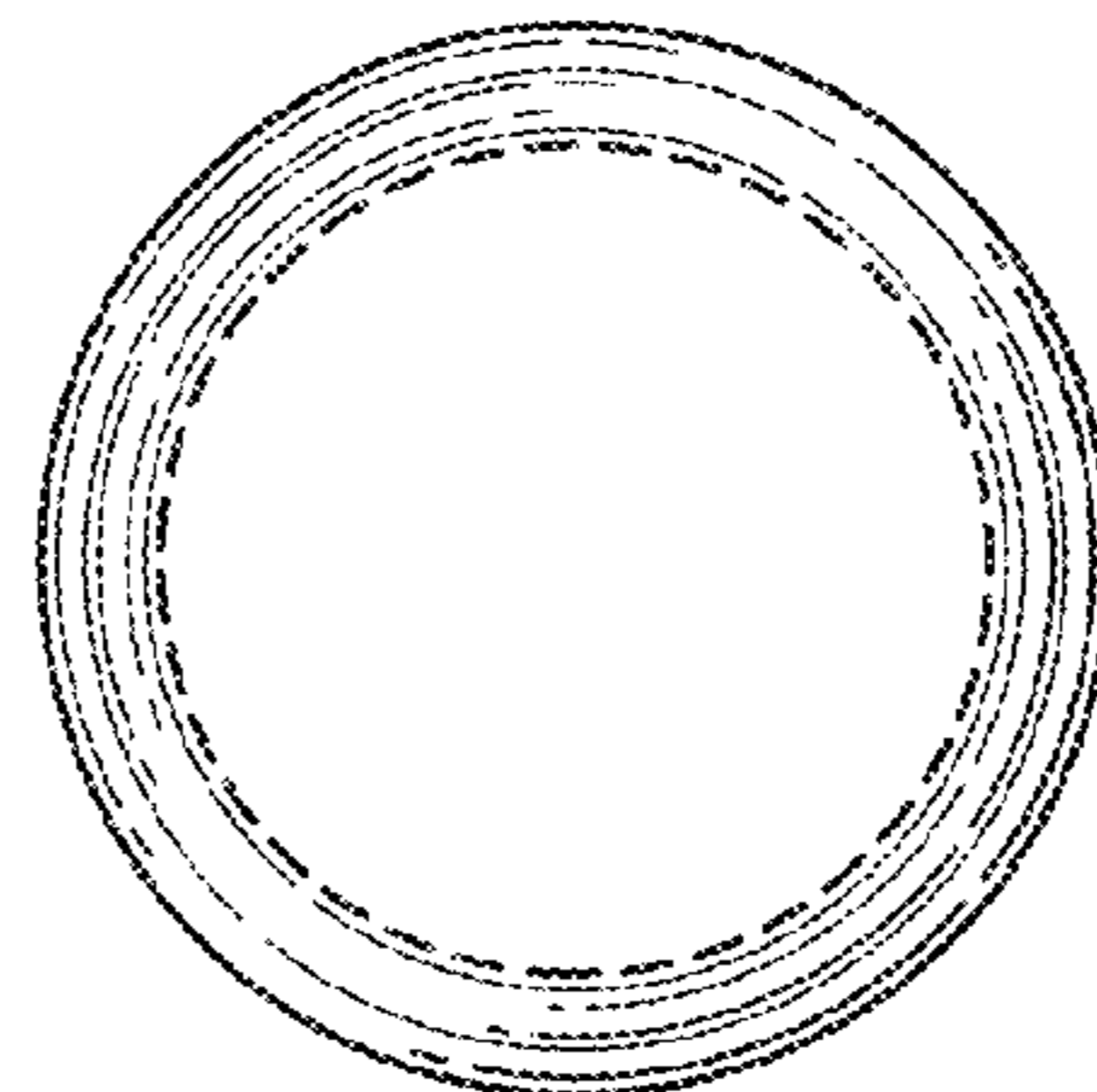


FIG. 4