



US00D762117S

(12) **United States Design Patent**
Joseph et al.

(10) **Patent No.:** **US D762,117 S**
(45) **Date of Patent:** **** Jul. 26, 2016**

(54) **BOTTLE LID**

(71) Applicant: **Ignite USA, LLC**, Chicago, IL (US)

(72) Inventors: **David Joseph**, St. Charles, IL (US);
Paul Hurley, Libertyville, IL (US)

(**) Term: **14 Years**

(21) Appl. No.: **29/516,716**

(22) Filed: **Feb. 5, 2015**

(51) **LOC (10) Cl.** **09-01**

(52) **U.S. Cl.**

USPC **D9/446**; D9/434; D9/435; D7/387;
D7/392.1

(58) **Field of Classification Search**

USPC D3/202, 273, 275, 294; D6/516;
D7/300, 300.1, 316, 317, 387, 391,
D7/392, 392.1, 393, 396.2, 509, 510, 511,
D7/531, 538, 541, 549, 629, 703, 900;
D9/434, 435, 438, 439, 440, 443, 446,
D9/447, 448, 449, 450, 452, 453, 454, 502,
D9/503, 504, 529; D19/70, 71, 93, 163,
D19/194; 200/216, 538, 539, 546; 215/12.1,
215/42, 200, 217, 225, 226, 228, 230, 233,
215/235, 236, 237, 238, 249, 251, 253, 254,
215/305, 306, 321, 382; 220/254.2, 254.3,
220/254.5, 254.7, 254.9, 260, 264, 266,
220/285, 368, 521, 711, 714, 811, 812, 835,
220/837; 222/212, 254.5, 375, 484, 492,
222/494, 472, 480, 521, 544, 556, 810, 813,
222/835, 837

CPC A62C 31/02; B65D 1/02; B65D 1/0233;
B65D 1/08; B65D 1/10; B65D 23/00; B65D
23/08; B65D 23/10; B65D 25/00; B65D
25/40; B65D 25/42; B65D 25/46; B65D
25/48; B65D 25/77; B65D 39/00; B65D
39/0047; B65D 41/00; B65D 43/00; B65D
43/02; B65D 51/02; B65D 51/04; B05B
17/00; B05B 15/002; A45D 34/00; A45D
34/042; A45D 40/22; A45D 2040/0006;
A45D 2040/093; A47G 19/22; A47G 19/2205;
A47G 19/2255; A47G 19/2266

See application file for complete search history.

(56) **References Cited**

U.S. PATENT DOCUMENTS

3,462,048 A * 8/1969 Henchert B65D 47/103
215/296
5,148,912 A * 9/1992 Nozawa B65D 47/0809
215/235

(Continued)

FOREIGN PATENT DOCUMENTS

CN 301210285 * 5/2010
CN 303385483 * 9/2015

OTHER PUBLICATIONS

Good Grips Water Bottle: Announced Dec. 7, 2011 [online], site visited Dec. 10, 2015. Available from Internet URL: <http://www.containerstore.com/s/need-it/water-bottles-accessories/good-grips-24-oz.-water-bottle/12d?productId=10030821>.*

(Continued)

Primary Examiner — Thomas Johannes

Assistant Examiner — Catherine Posthauer

(74) *Attorney, Agent, or Firm* — Ignite USA, LLC

(57) **CLAIM**

The ornamental design for a “bottle lid,” as shown and described.

DESCRIPTION

FIG. 1 is a perspective view of a bottle lid showing a new design;

FIG. 2 is a left view thereof;

FIG. 3 is a right view thereof;

FIG. 4 is a back view thereof;

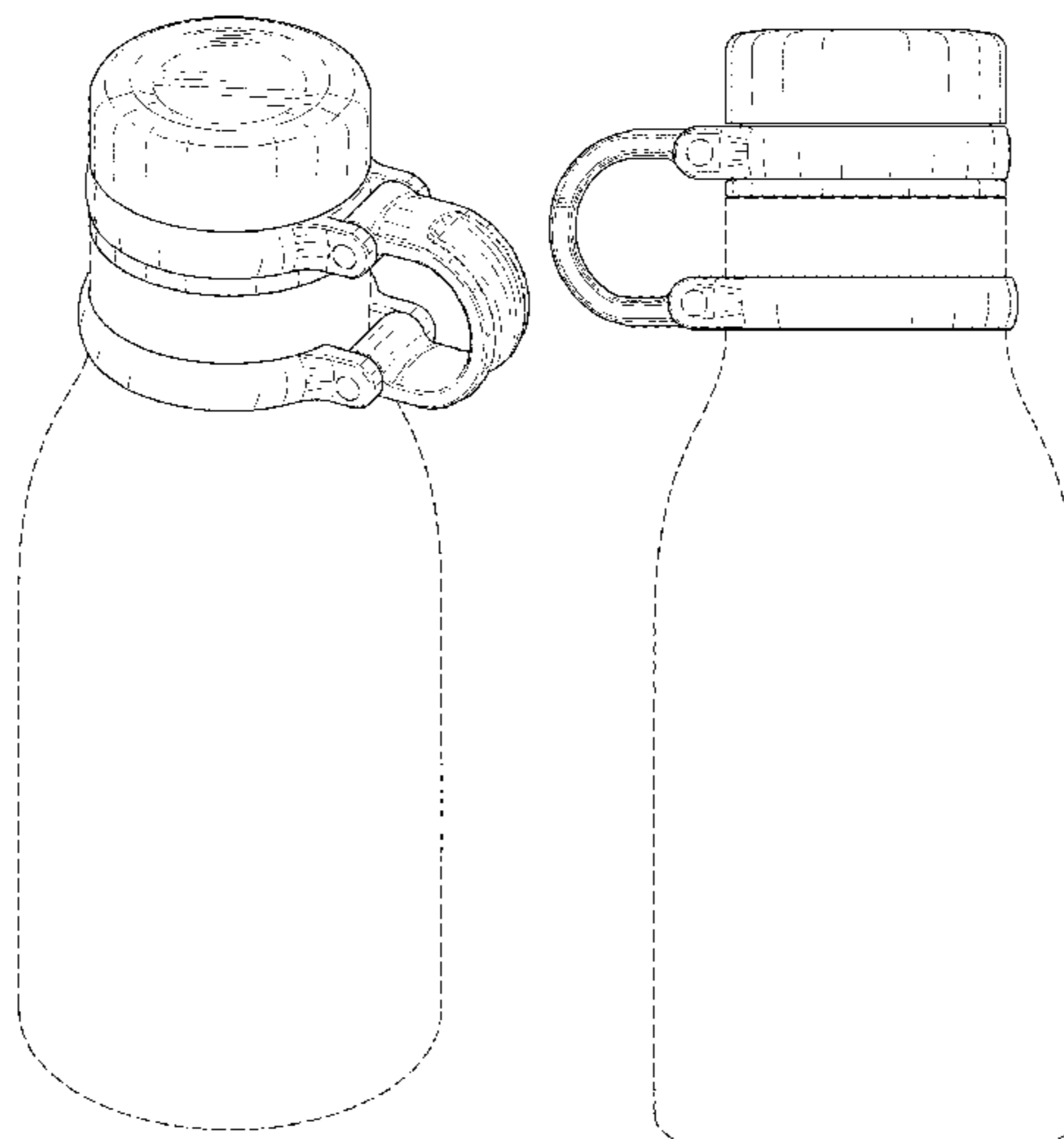
FIG. 5 is a front view thereof;

FIG. 6 is a top view thereof; and,

FIG. 7 is a bottom view thereof.

The broken lines are shown for the purpose of illustrating environmental subject matter and parts of the bottle lid that form no part if the claimed design.

1 Claim, 7 Drawing Sheets



(56)

References Cited

U.S. PATENT DOCUMENTS

D404,646 S * 1/1999 Black, Sr. D9/440
D425,362 S * 5/2000 Meyers D7/392
D508,185 S * 8/2005 Gauss D7/392.1
D514,935 S * 2/2006 Sturk D9/449
D584,618 S * 1/2009 Schwartz D9/446
D613,599 S * 4/2010 Khubani D9/446
D650,629 S * 12/2011 Gilbert D7/392.1
D674,277 S * 1/2013 Hanson D9/446
8,752,720 B1 * 6/2014 Habig B65D 55/16
215/306

2007/0199914 A1* 8/2007 Hung B65D 47/243
215/311
2009/0236341 A1* 9/2009 McKinney A47G 19/2266
220/375

OTHER PUBLICATIONS

Contigo Thermalock Matterhorn Stainless Steel Water Bottle. Available Dec. 8, 2015 [online]. Available from Internet URL: <http://www.gocontigo.com/water-bottles/thermalock-stainless-water-bottles/matterhorn-stainless-water-bottle.html>.*

* cited by examiner

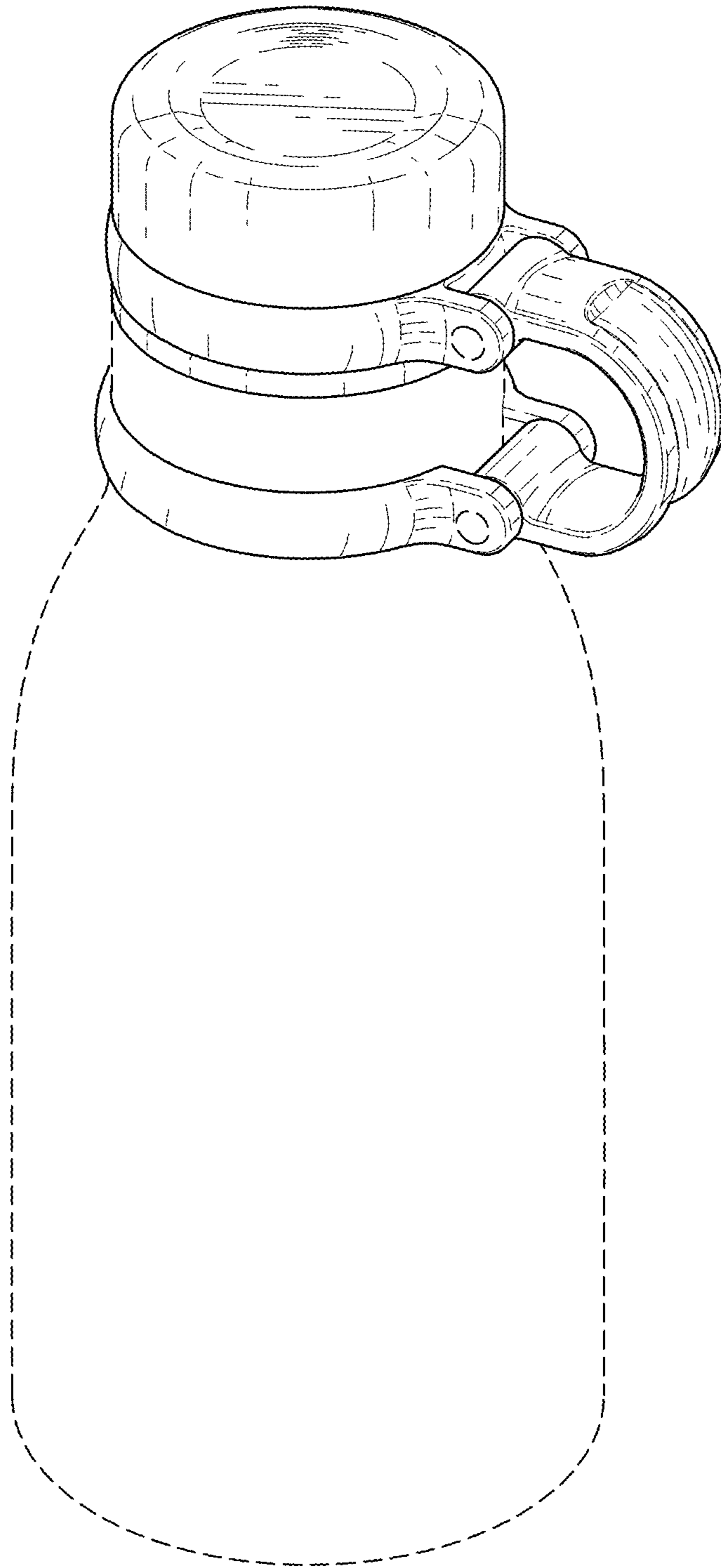


FIG. 1

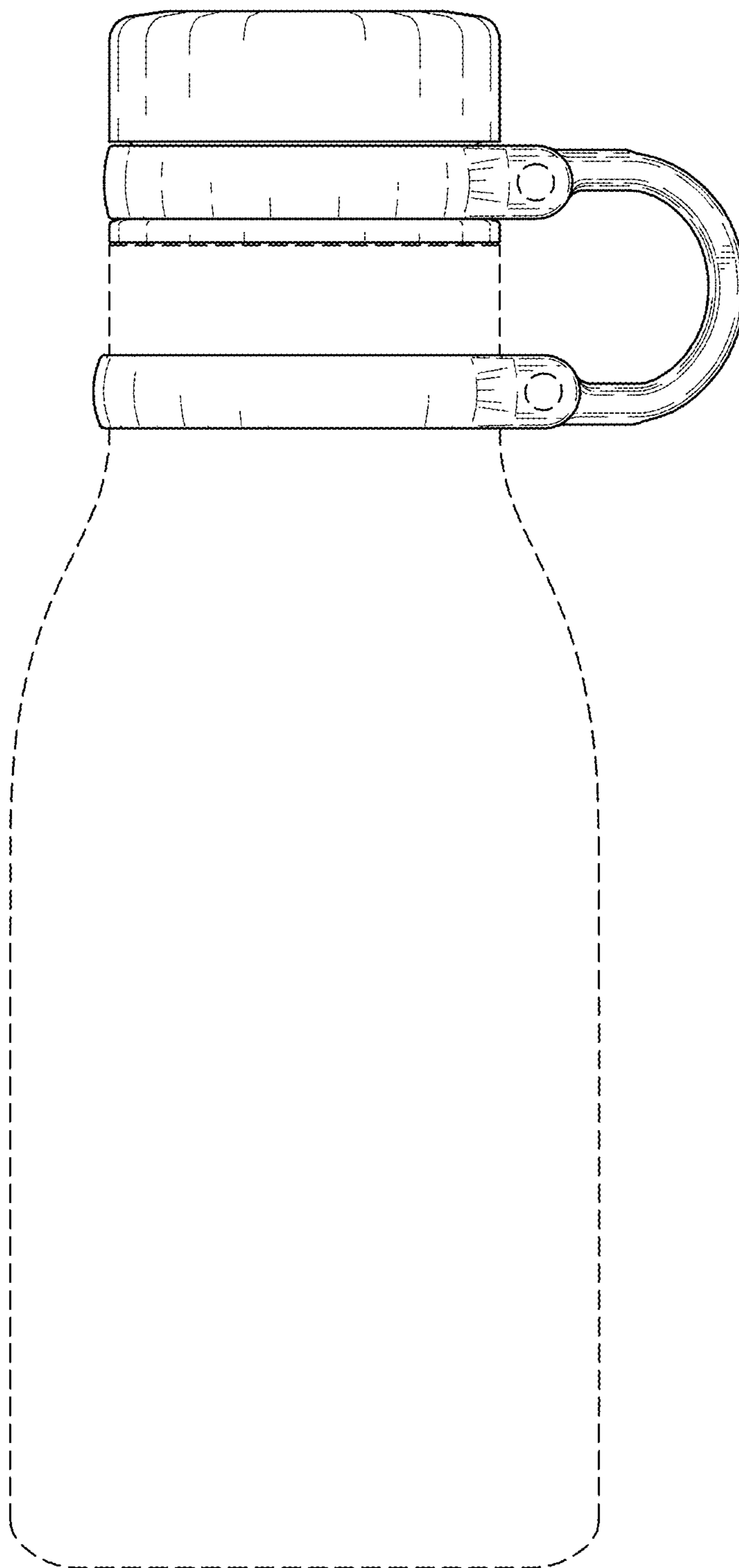


FIG. 2

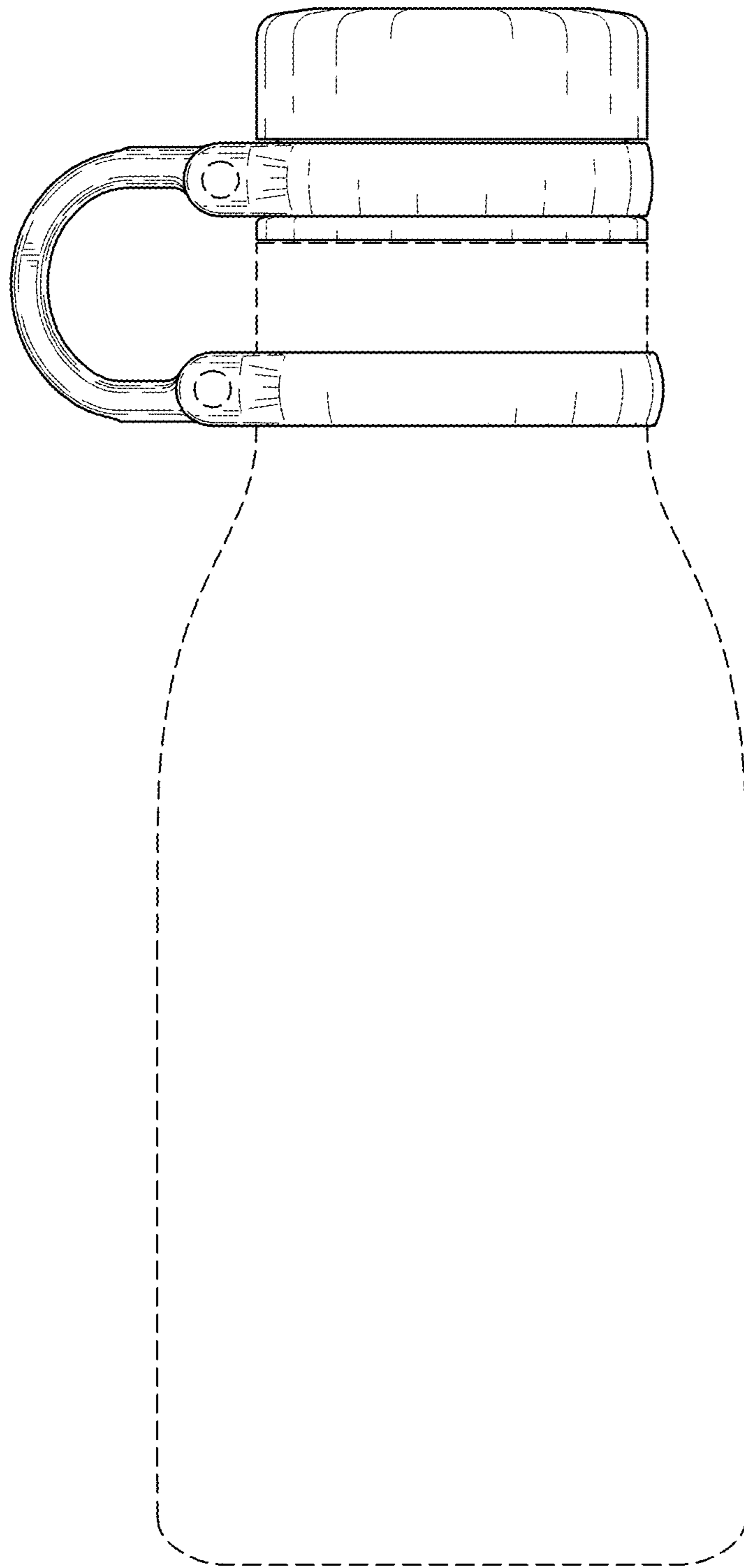


FIG. 3

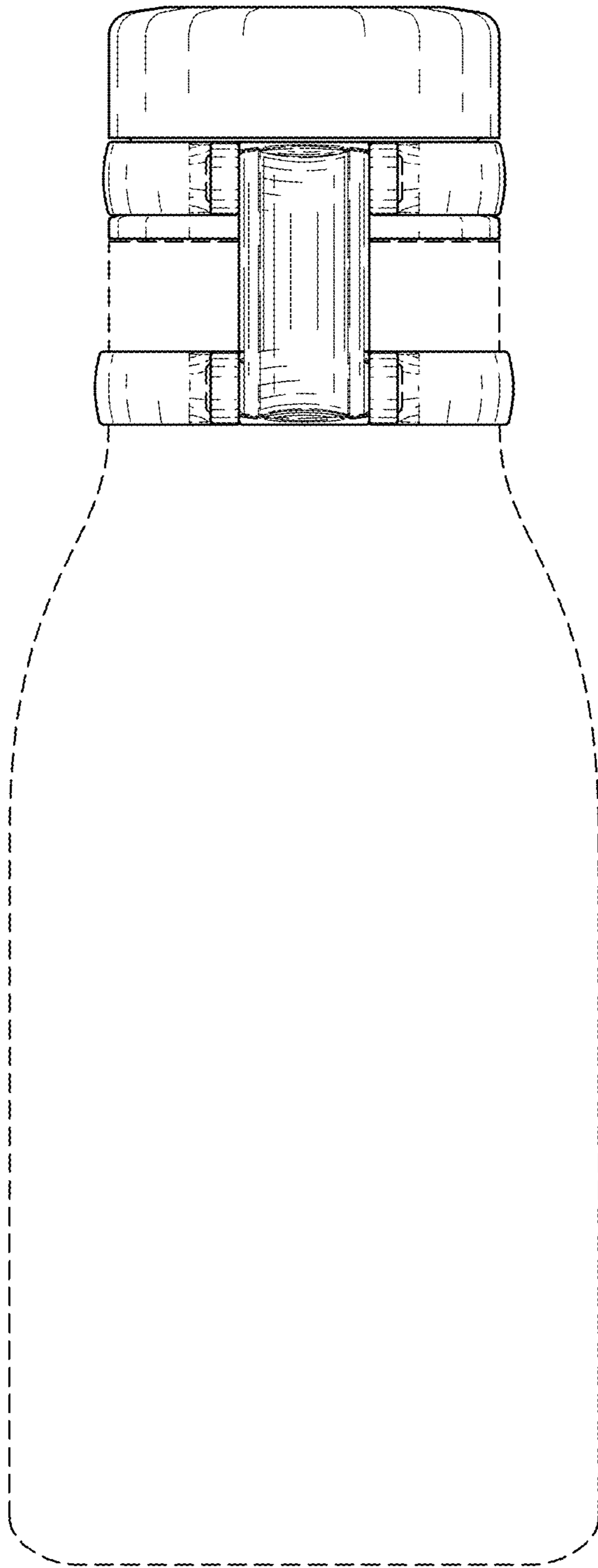


FIG. 4

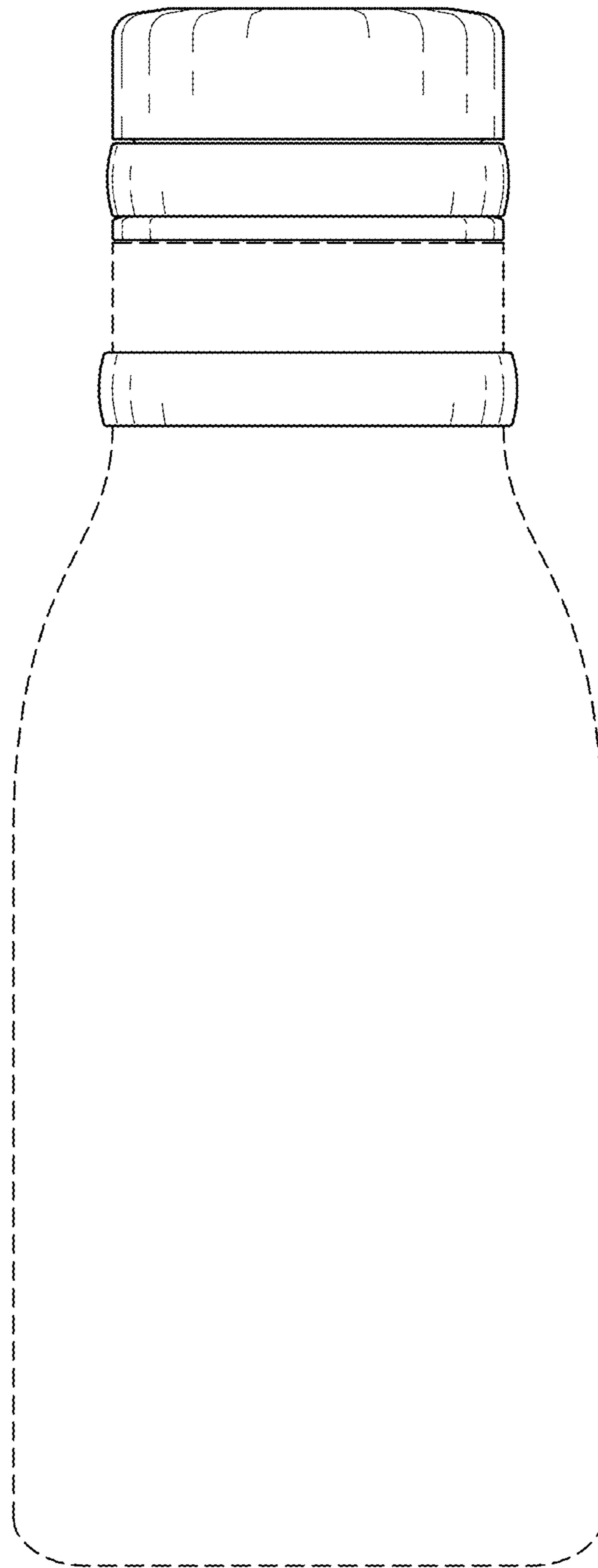


FIG. 5

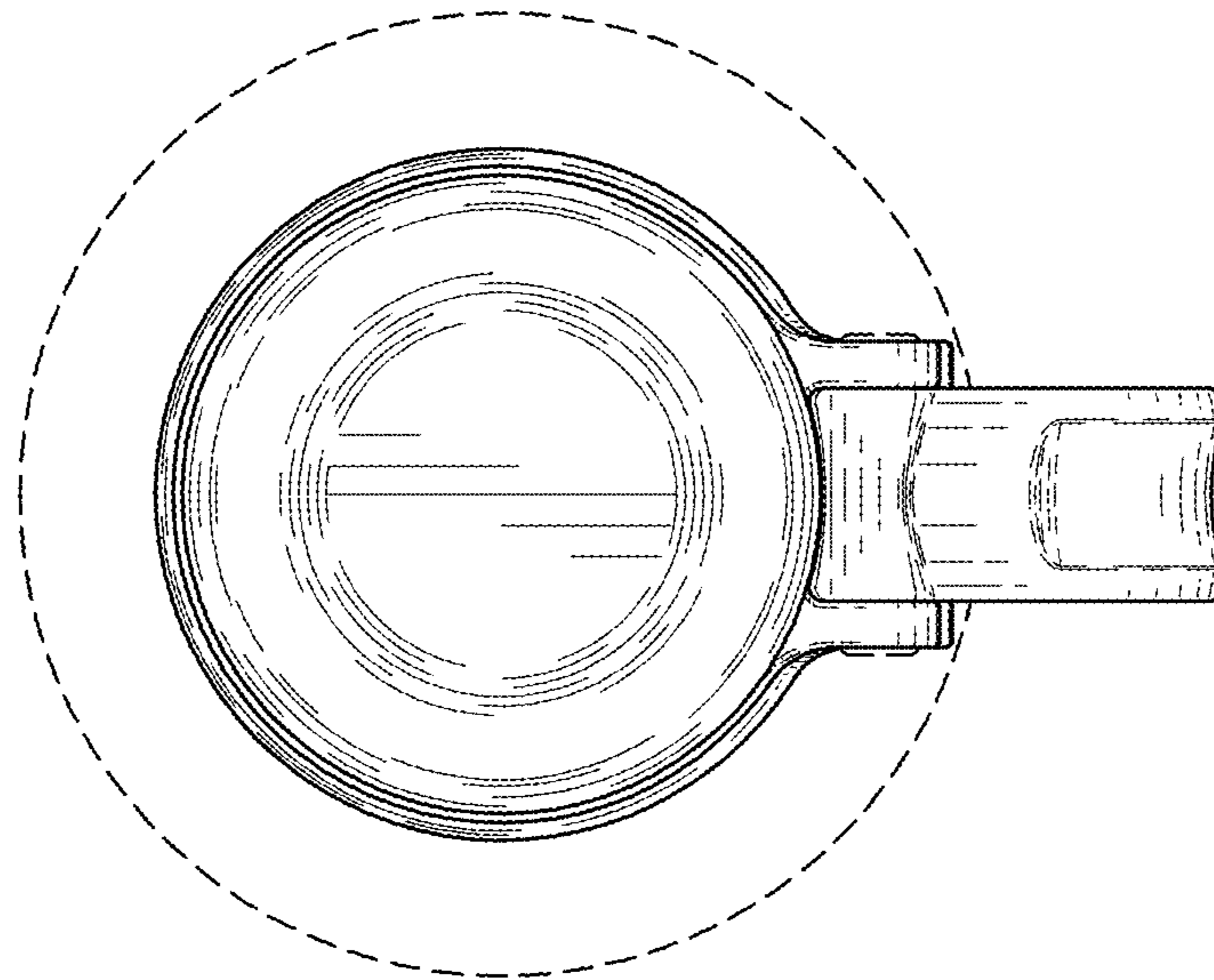


FIG. 6

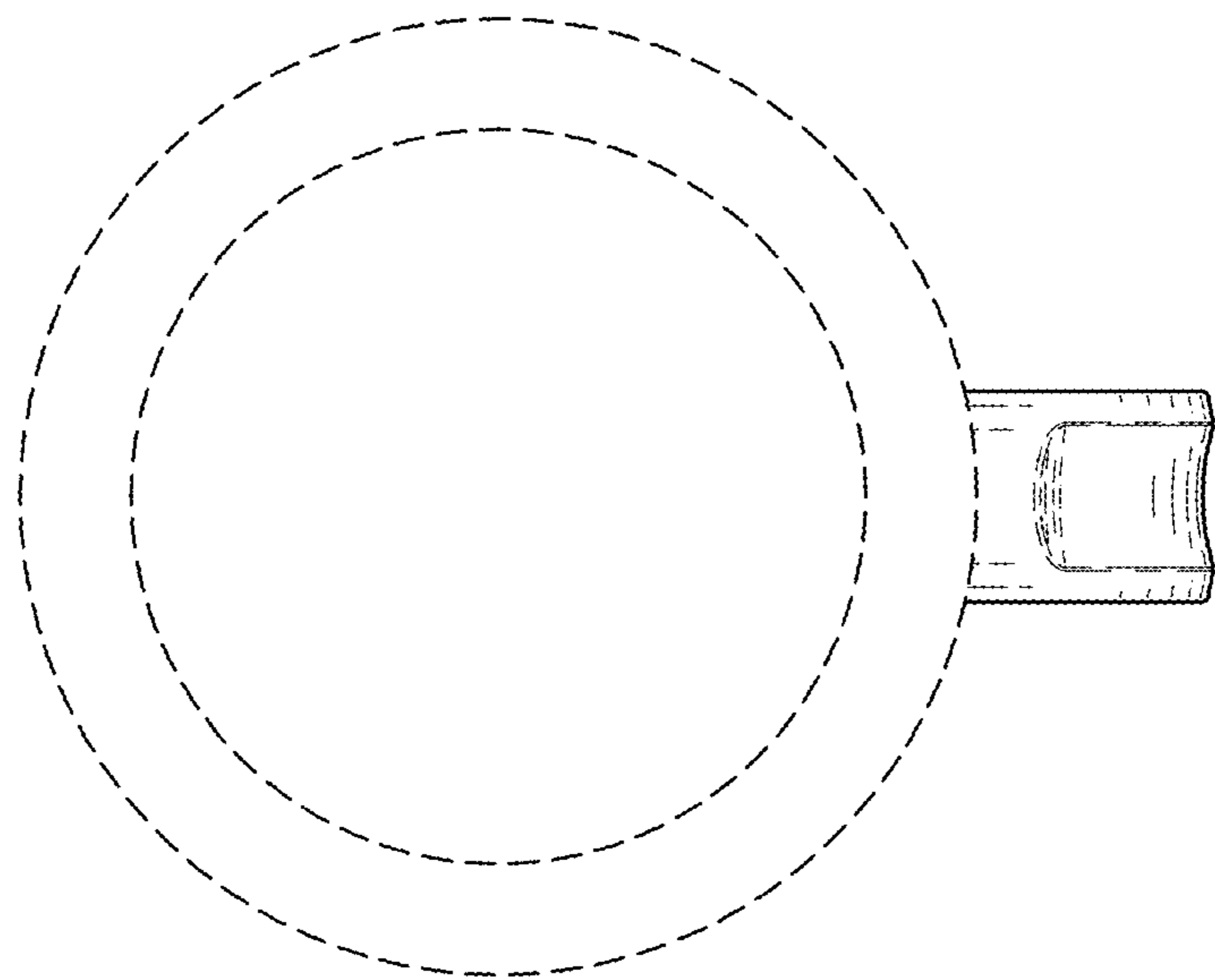


FIG. 7