

US00D762116S

(12) **United States Design Patent**  
**Prendergast-Kelly et al.**

(10) **Patent No.:** **US D762,116 S**  
(45) **Date of Patent:** **\*\* Jul. 26, 2016**

- (54) **LID**
- (71) Applicant: **Libation Lids, LLC**, Sunrise, FL (US)
- (72) Inventors: **Leanna Prendergast-Kelly**, Davie, FL (US); **Louis Oliver, III**, Sunrise, FL (US)
- (73) Assignee: **Libation Lids, LLC**, Sunrise, FL (US)
- (\*\*) Term: **15 Years**
- (21) Appl. No.: **29/526,880**
- (22) Filed: **May 13, 2015**
- (51) **LOC (10) Cl.** ..... **09-07**
- (52) **U.S. Cl.**  
USPC ..... **D9/443**
- (58) **Field of Classification Search**  
USPC ..... D7/602, 705; D9/434-440, 443-445,  
D9/447, 449, 450, 452-454, 499; 220/205,  
220/761, 770, 771  
CPC ..... B65D 25/32  
See application file for complete search history.

- D584,566 S \* 1/2009 Fuller ..... D7/387
- D608,195 S \* 1/2010 Germann ..... D9/443
- D616,744 S \* 6/2010 Cresswell ..... D9/443

(Continued)

**OTHER PUBLICATIONS**

Facebook. Libation Lids. Nov. 17, 2014 [online], [site visited Mar. 8, 2016]. Available from Internet, <URL:https://www.facebook.com/photo.php?fbid=1496693033930338&set=a.1496693067263668.1073741827.100007689675109&type=3&theater>.\*

*Primary Examiner* — Robert M Spear  
*Assistant Examiner* — Darcey E Heflin

(74) *Attorney, Agent, or Firm* — Mayback & Hoffman, P.A.; Gregory L. Mayback

(57) **CLAIM**

The ornamental design for a lid, as shown and described.

**DESCRIPTION**

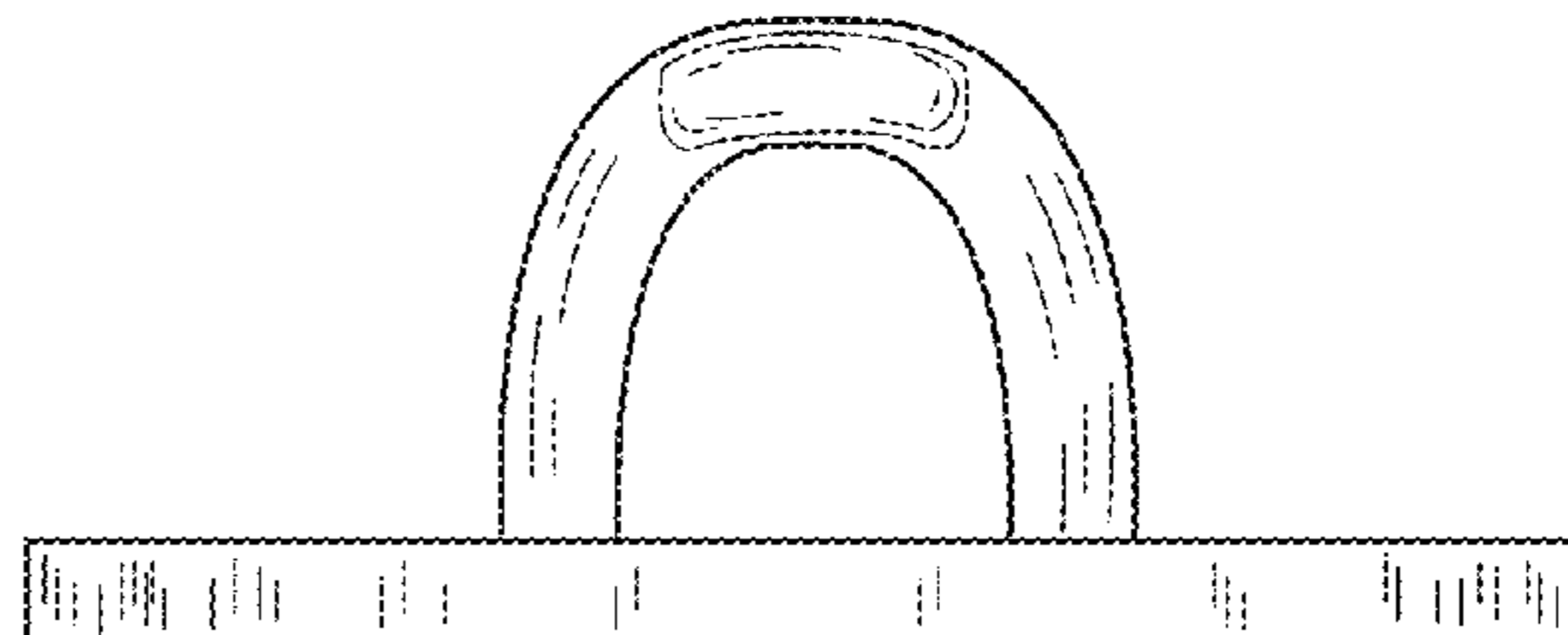
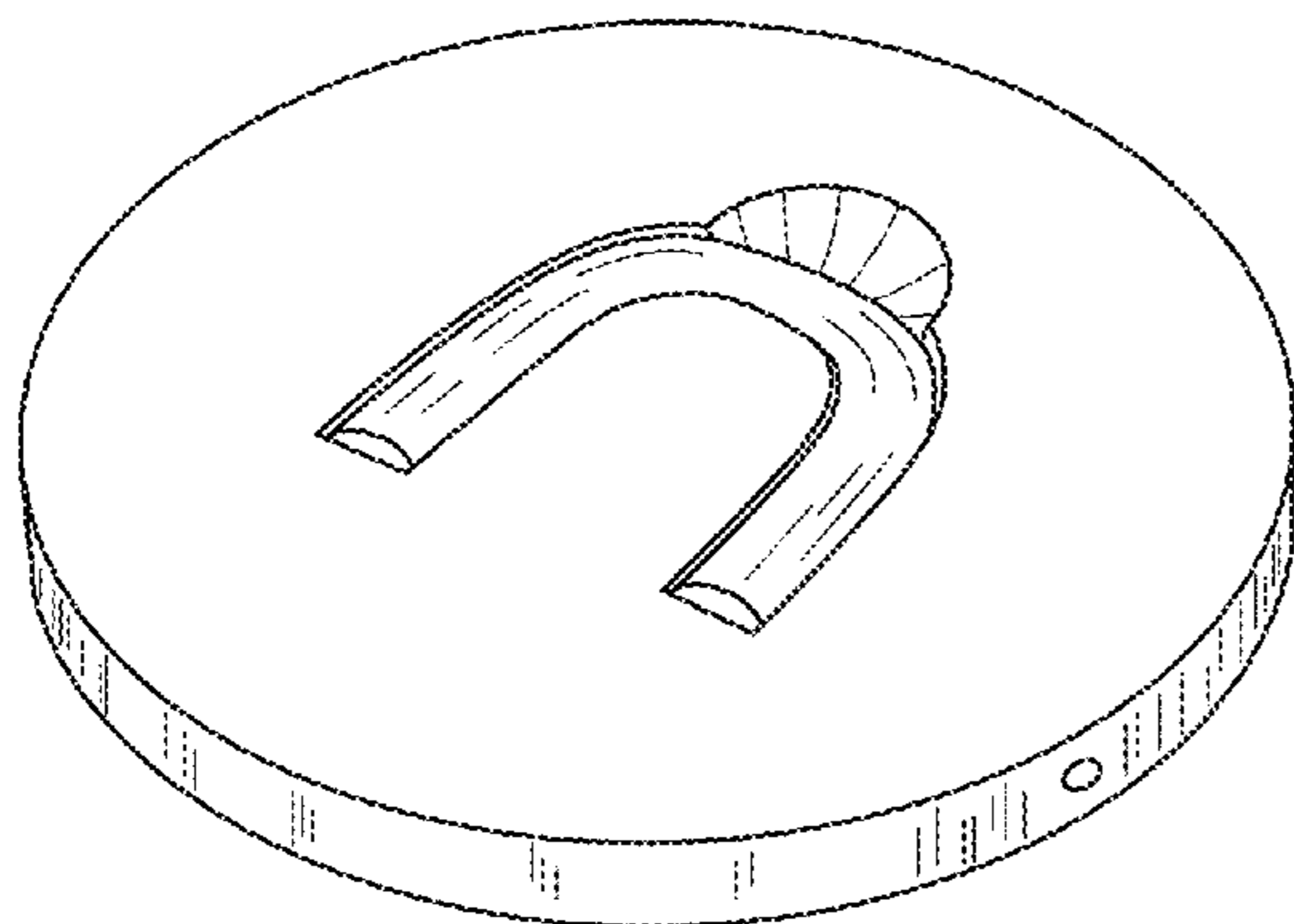
FIG. 1 is a perspective view showing our new design of a lid; FIG. 2 is a front elevational view of the lid of FIG. 1; FIG. 3 is a rear elevational view of the lid of FIG. 1; FIG. 4 is a rear elevational view of the lid of FIG. 1 with the handle in a raised position; FIG. 5 is a front elevational view of the lid of FIG. 1 with the handle in a raised position; FIG. 6 is a left side elevational view of the lid of FIG. 1; FIG. 7 is a right side elevational view of the lid of FIG. 1; FIG. 8 is a left side elevational view of the lid of FIG. 1 with the handle in a raised position; FIG. 9 is a right side elevational view of the lid of FIG. 1 with the handle in a raised position; FIG. 10 is a top plan view of the lid of FIG. 1; FIG. 11 is a bottom plan view of the lid of FIG. 1; and, FIG. 12 is a bottom perspective view of the lid of FIG. 1.

**1 Claim, 5 Drawing Sheets**

(56) **References Cited**

**U.S. PATENT DOCUMENTS**

- 2,935,223 A \* 5/1960 Crowley ..... B65D 25/32  
220/761
- 3,043,471 A 7/1962 Coulson et al.
- 3,198,377 A \* 8/1965 Buckley ..... A47J 43/27  
220/771
- 3,655,089 A 4/1972 Tower
- D288,667 S \* 3/1987 Miner ..... D9/440
- 5,232,112 A 8/1993 Howard
- 5,244,113 A 9/1993 Stymiest
- 5,743,427 A 4/1998 Monus
- D428,776 S 8/2000 Shuman
- D458,134 S \* 6/2002 Berish ..... D9/443
- D511,457 S 11/2005 Biesecker et al.
- D530,608 S \* 10/2006 Nukuto ..... D9/443



(56)

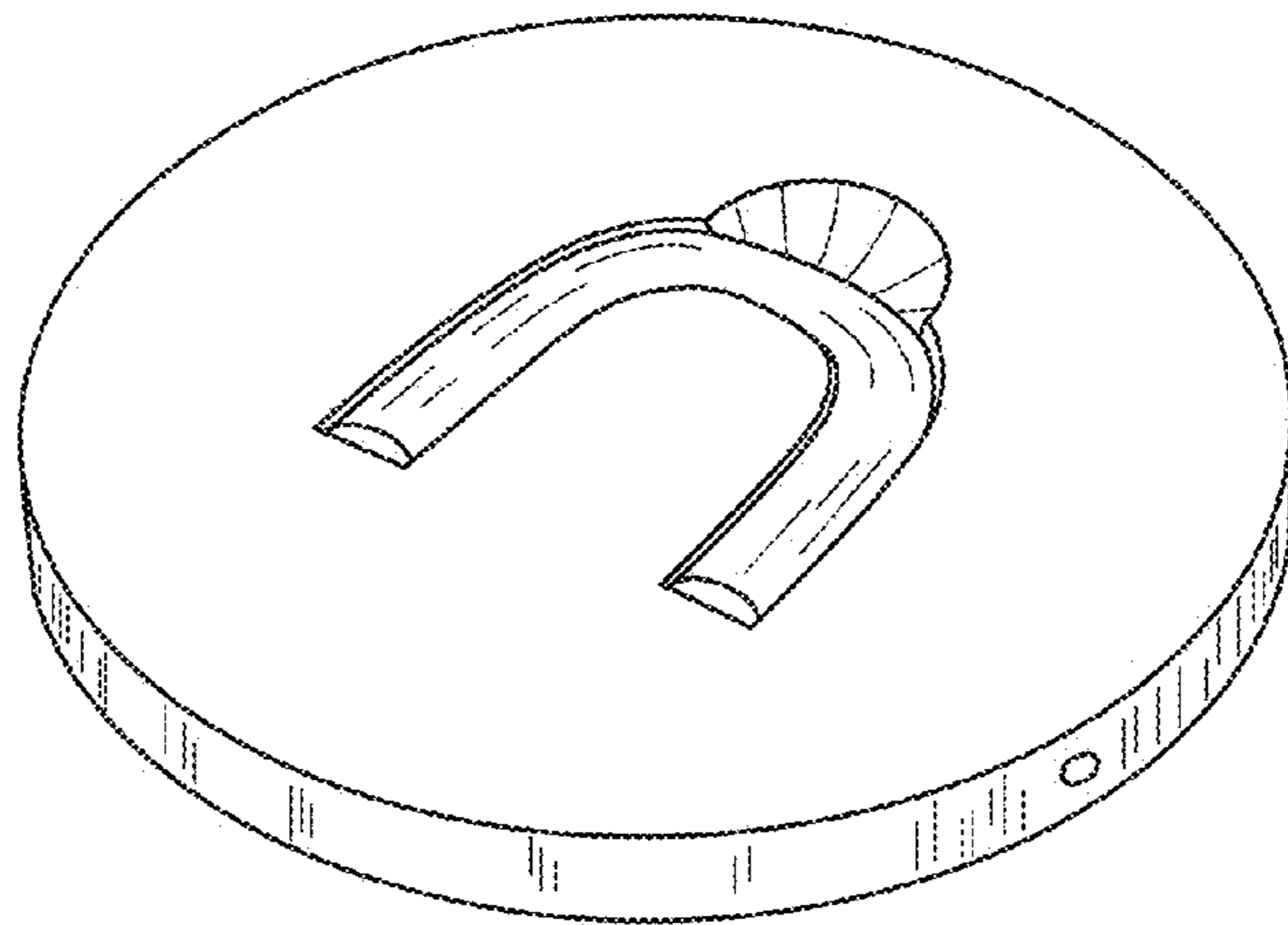
**References Cited**

U.S. PATENT DOCUMENTS

D620,357 S \* 7/2010 Jewett ..... D9/443  
D620,798 S \* 8/2010 Cresswell ..... D9/443  
D621,257 S \* 8/2010 Gullickson ..... D9/443  
D621,258 S \* 8/2010 Gullickson ..... D9/443  
D643,679 S 8/2011 Lu  
D651,847 S 1/2012 Gilbert

D672,238 S \* 12/2012 Aziz ..... D7/510  
8,413,841 B2 4/2013 Cunningham  
D689,735 S 9/2013 Redfern  
D690,987 S 10/2013 Gallen  
D697,366 S 1/2014 Kristinik  
D703,997 S 5/2014 Munari  
D720,218 S \* 12/2014 Hutson ..... D9/443  
D742,064 S \* 10/2015 Leidel ..... D27/167

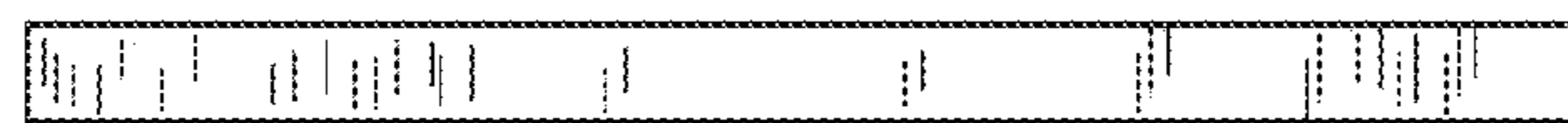
\* cited by examiner



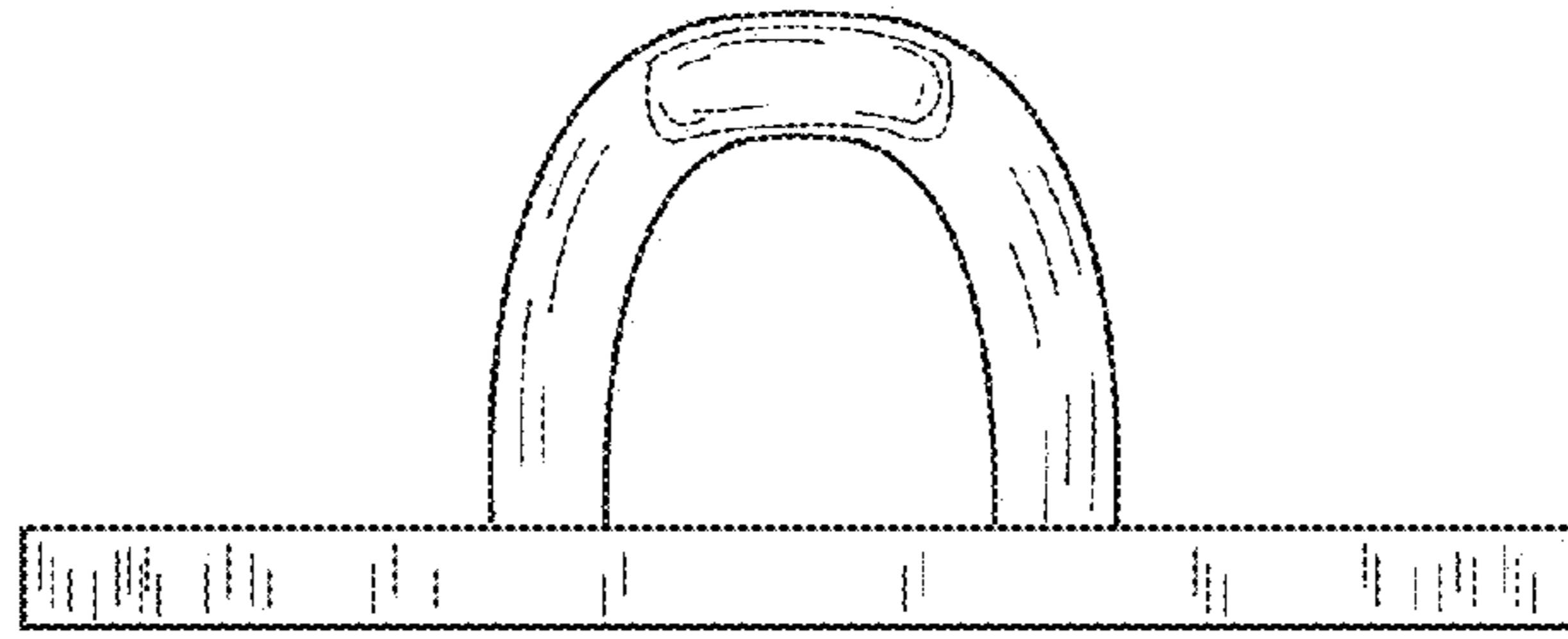
*Fig. 1*



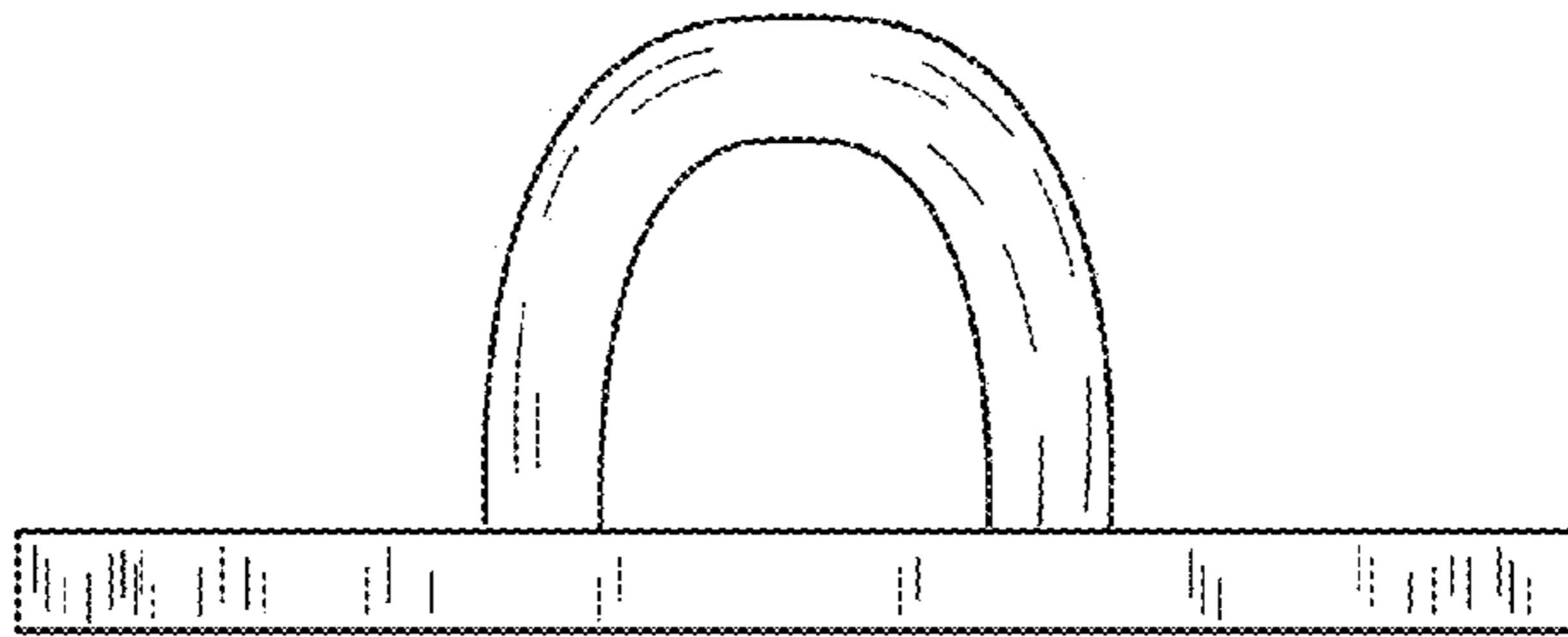
*Fig. 2*



*Fig. 3*



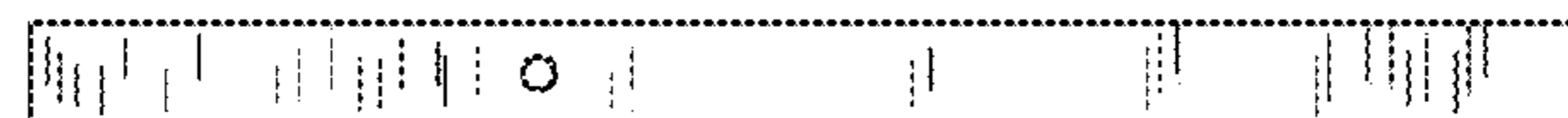
*Fig. 4*



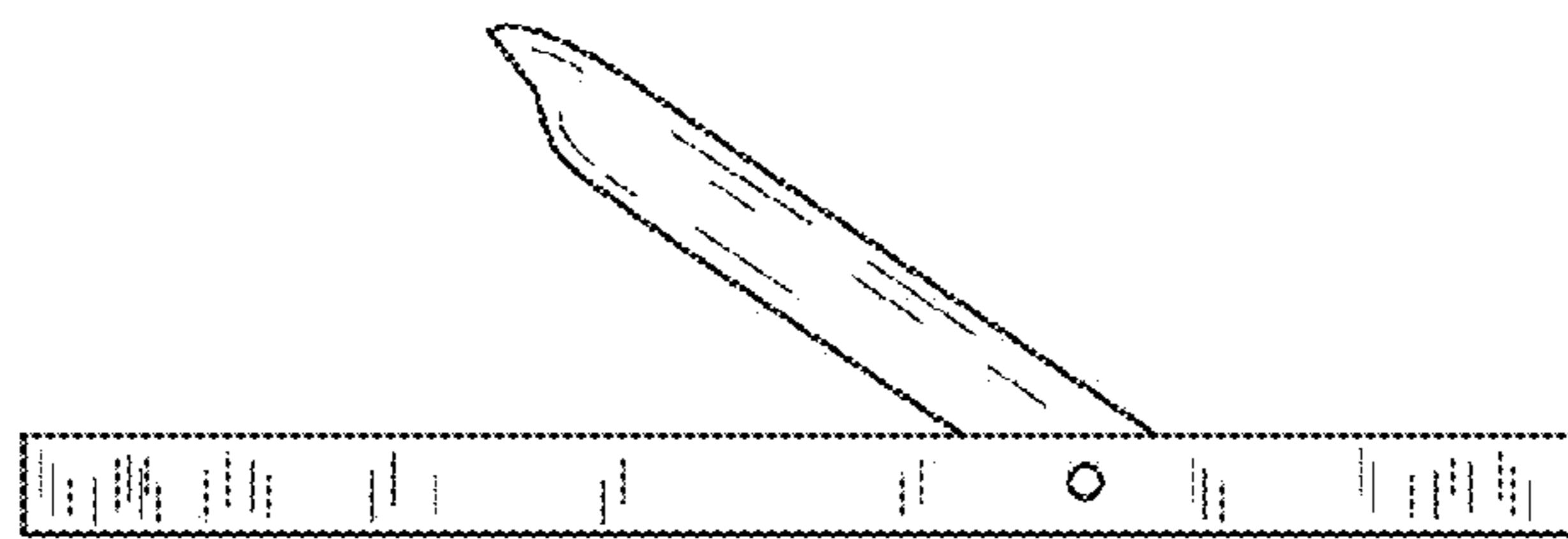
*Fig. 5*



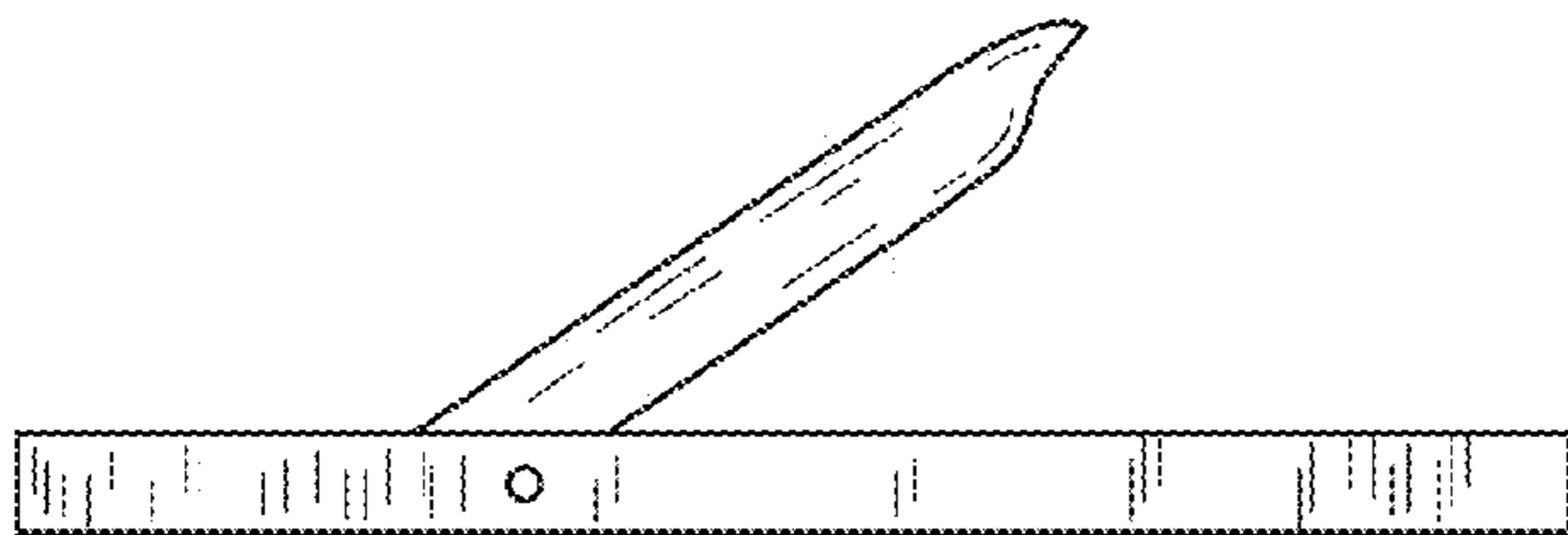
*Fig. 6*



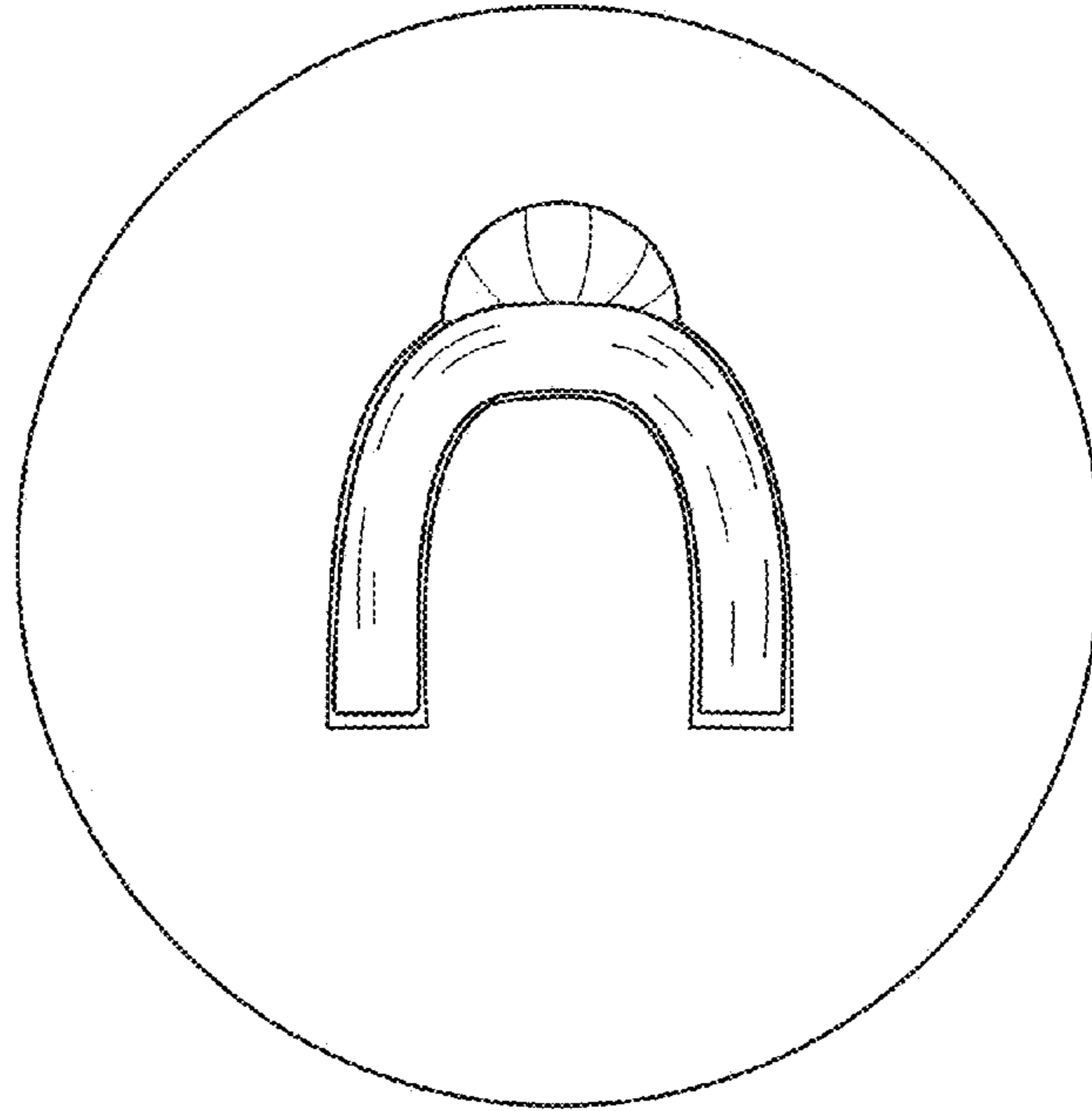
*Fig. 7*



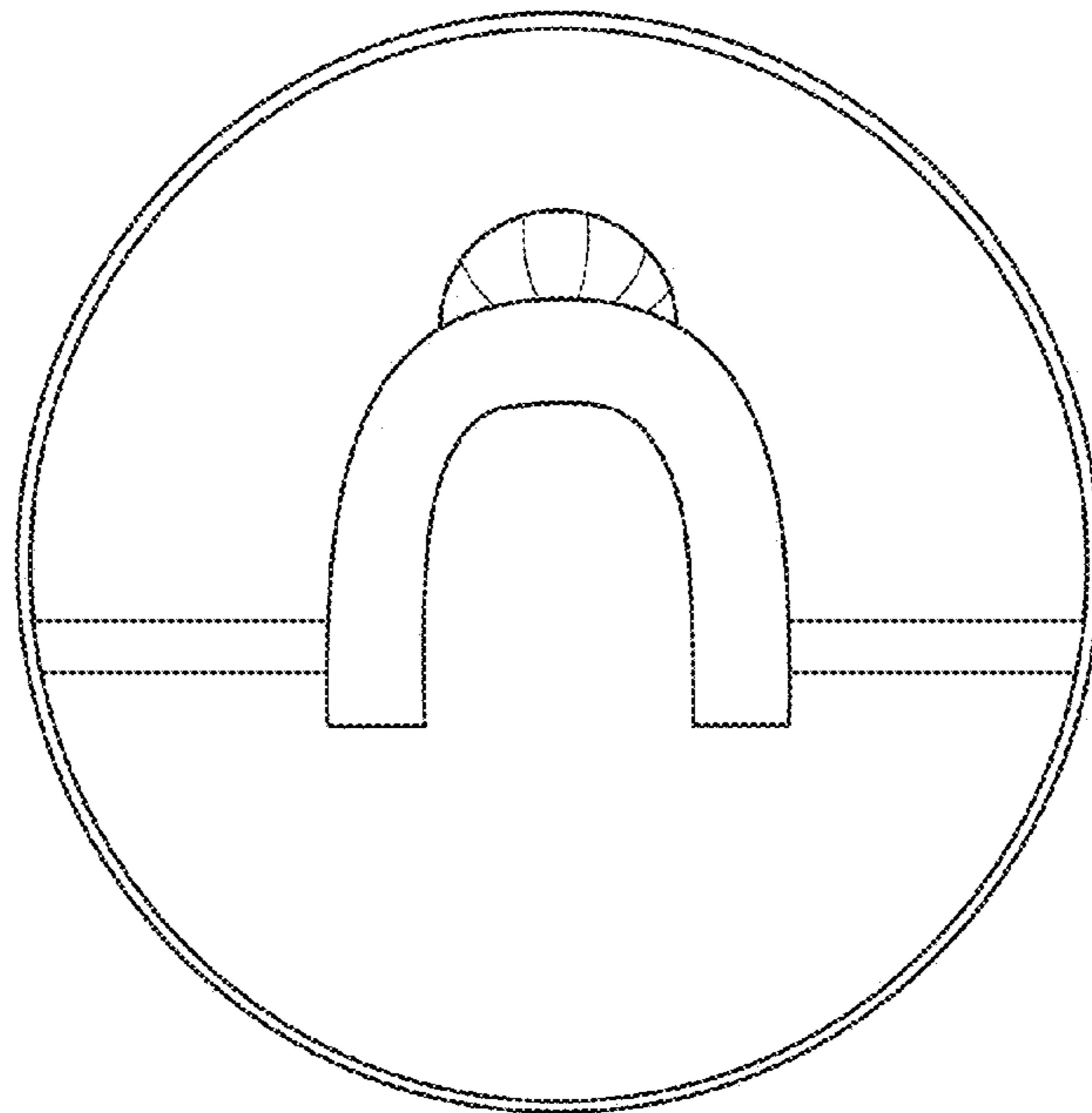
*Fig. 8*



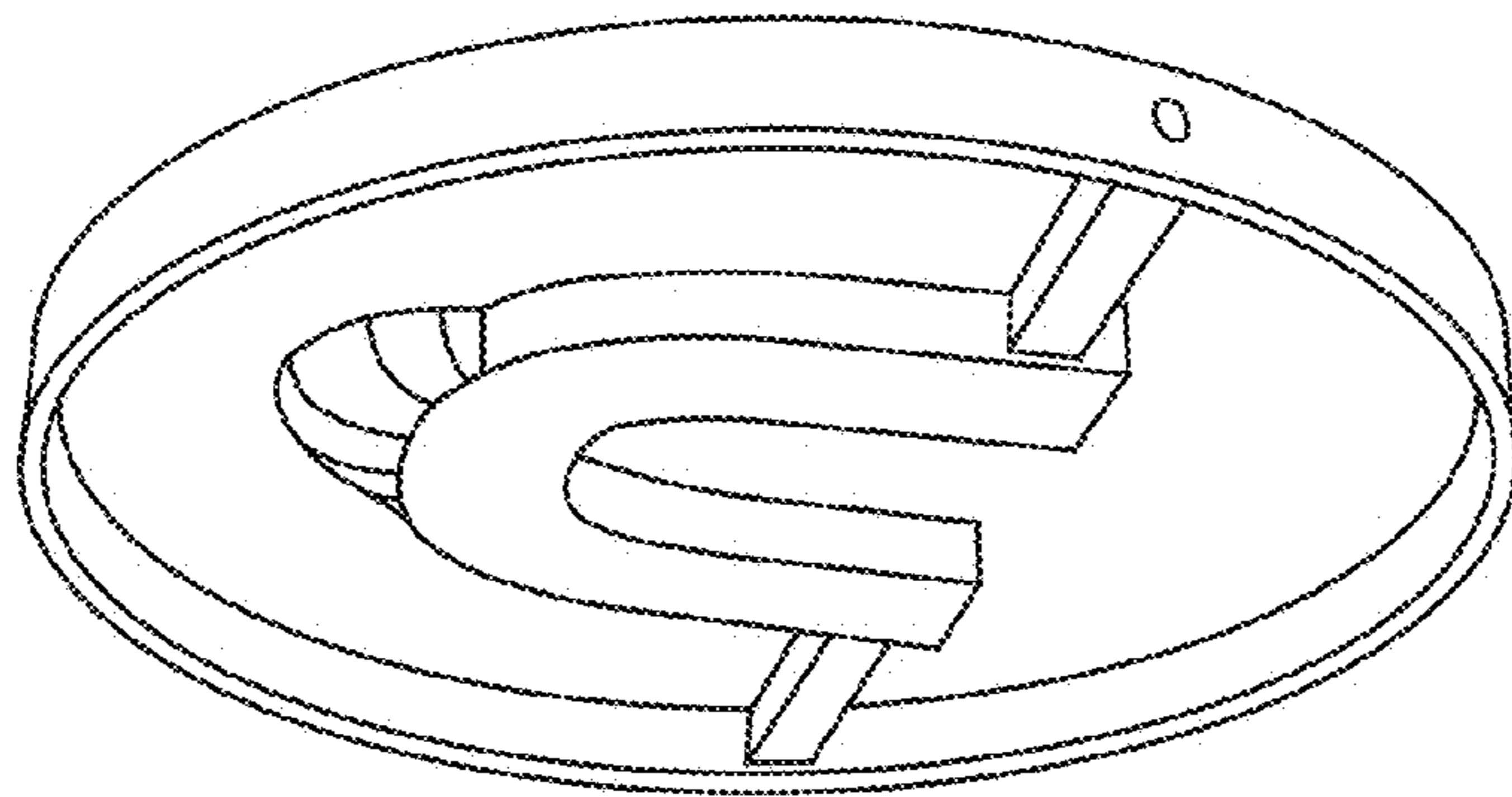
*Fig. 9*



*Fig. 10*



*Fig. 11*



*Fig. 12*