



US00D762113S

(12) **United States Design Patent**
Mayer et al.

(10) **Patent No.:** **US D762,113 S**
(45) **Date of Patent:** **** Jul. 26, 2016**

(54) **CLOSEABLE CONTAINER**
(71) Applicant: **Inno-Pak, LLC**, Delaware, OH (US)
(72) Inventors: **Steven A. Mayer**, Indianapolis, IN (US);
Jonathan D. Sill, Powell, OH (US)
(73) Assignee: **Inno-Pak, LLC**, Delaware, OH (US)
(**) Term: **15 Years**

D693,216 S * 11/2013 Sill D9/418
D693,217 S * 11/2013 Sill D9/418
D693,218 S 11/2013 Sill
D695,104 S * 12/2013 Sill D9/418
D696,725 S * 12/2013 Sasken-Duff D19/91
8,607,987 B2 12/2013 Oja et al.
D706,132 S * 6/2014 Sill D9/432
D712,275 S * 9/2014 Irek D9/418
D713,716 S 9/2014 Oja et al.
D716,649 S * 11/2014 McAdam D9/418
D719,440 S 12/2014 Matloff

(Continued)

(21) Appl. No.: **29/527,085**
(22) Filed: **May 15, 2015**
(51) **LOC (10) Cl.** **09-03**
(52) **U.S. Cl.**
USPC **D9/418**
(58) **Field of Classification Search**
USPC D9/414-419, 499, 431, 432, 422, 421;
D19/91; D7/612
CPC B65D 5/4204
See application file for complete search history.

OTHER PUBLICATIONS

Office Action dated Feb. 1, 2016 from U.S. Appl. No. 29/516,707.

Primary Examiner — Holly Baynham
Assistant Examiner — Rhea Shields
(74) *Attorney, Agent, or Firm* — Ward and Smith, P.A.; Ryan K. Simmons

(57) **CLAIM**
The ornamental design for a closeable container, as shown and described.

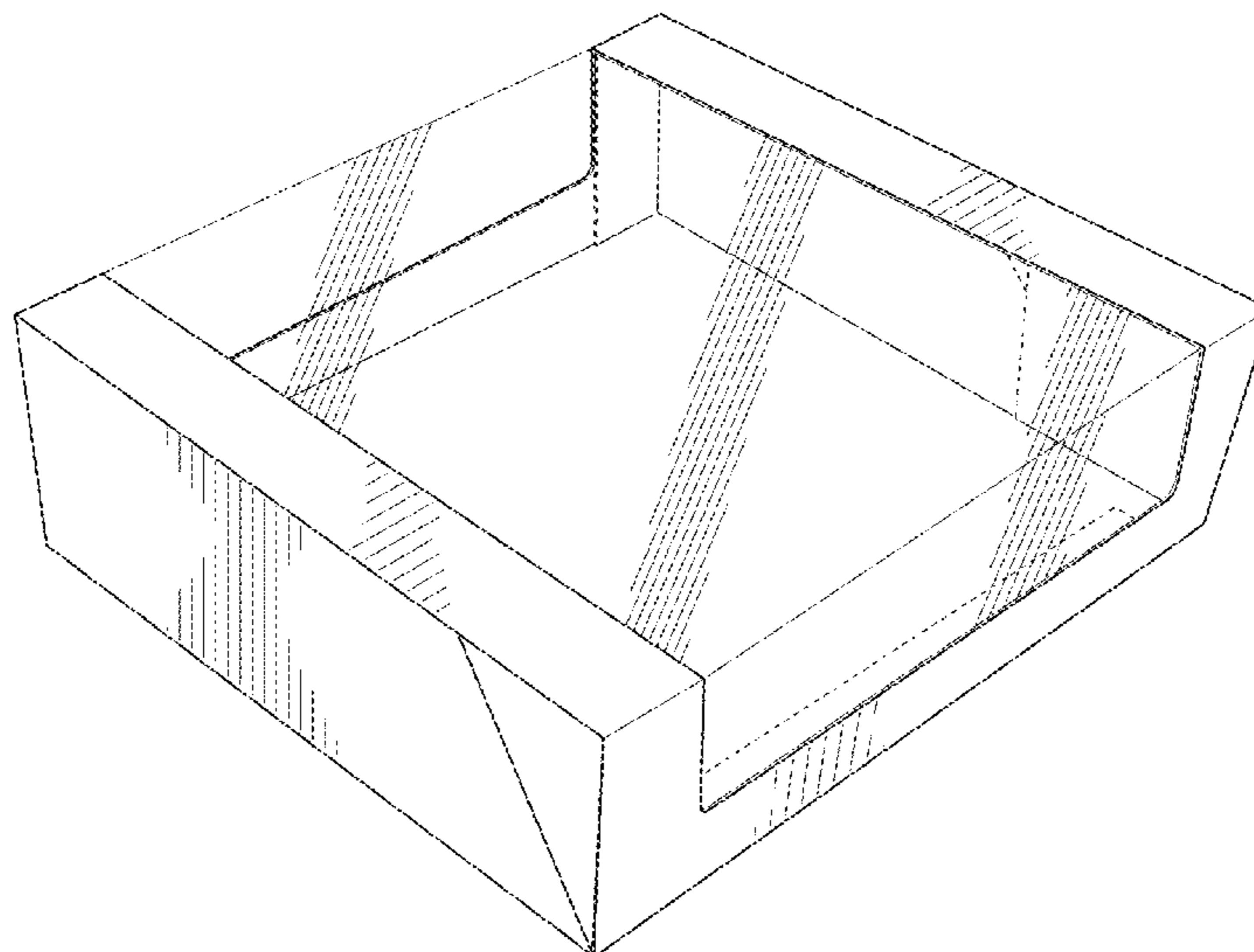
(56) **References Cited**
U.S. PATENT DOCUMENTS

D259,253 S	5/1981	Nelson	
D365,755 S	1/1996	Kanfer et al.	
D372,401 S *	8/1996	Lillelund	D7/612
D415,960 S *	11/1999	Majdanski	D9/415
D469,349 S	1/2003	Meeker et al.	
D469,692 S *	2/2003	Meeker	D9/431
D519,366 S *	4/2006	Epstein	D9/431
D536,245 S *	2/2007	Bruun	D9/422
D536,612 S *	2/2007	Geurts	D9/432
D578,883 S	10/2008	Kisch	
D602,353 S	10/2009	Anderson et al.	
D626,831 S	11/2010	Nicholas	
D636,662 S *	4/2011	Ignacio	D9/418
D649,067 S *	11/2011	Birdwell	D9/418
D675,092 S *	1/2013	Sill	D9/431
D678,779 S	3/2013	Lee	
D679,950 S	4/2013	Cooper	
D681,444 S	5/2013	Oja et al.	

DESCRIPTION

FIG. 1 is a perspective view of a closeable container showing a new design;
FIG. 2 is a right side elevation view thereof, the left side being a mirror image;
FIG. 3 is a front elevation view thereof;
FIG. 4 is a back elevation view thereof;
FIG. 5 is a top plan view thereof;
FIG. 6 is a bottom plan view thereof;
FIG. 7 is another perspective view thereof, showing the closeable carton in an open configuration; and,
FIG. 8 is another top plan view thereof, showing the closeable container in a blank configuration.
The dashed lines shown in the drawings are for environmental purposes only and form no part of the claimed design.

1 Claim, 8 Drawing Sheets



(56)

References Cited

U.S. PATENT DOCUMENTS

D727,732 S *	4/2015	Petty	D9/415	D746,700 S	1/2016	Boehnen et al.	
D729,055 S	5/2015	Lemnios et al.		2009/0236351 A1	9/2009	Chu et al.	
D739,228 S *	9/2015	Jondal	D9/421	2015/0344216 A1*	12/2015	Petty	B65D 5/4204 206/589

* cited by examiner

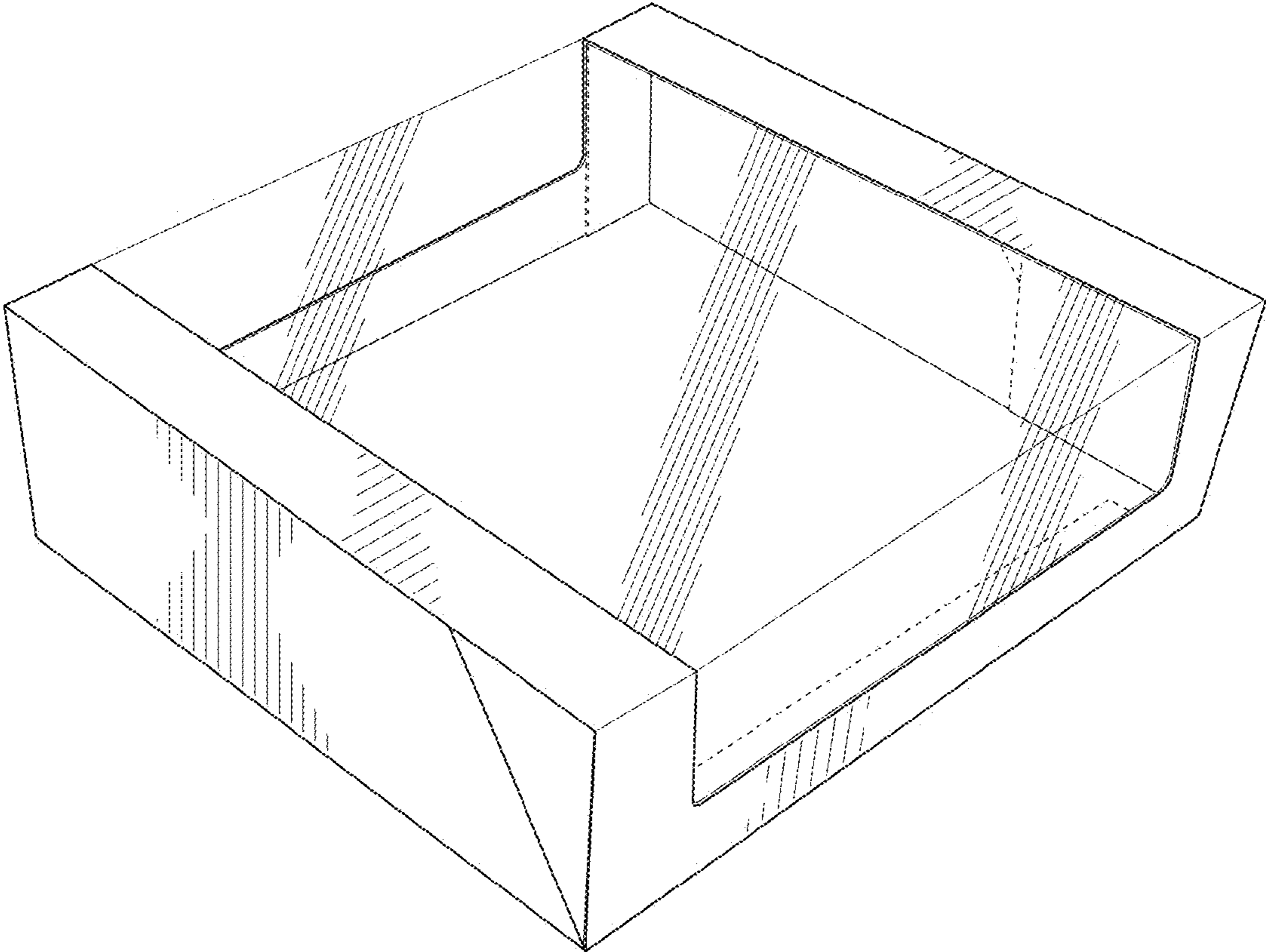


FIG. 1

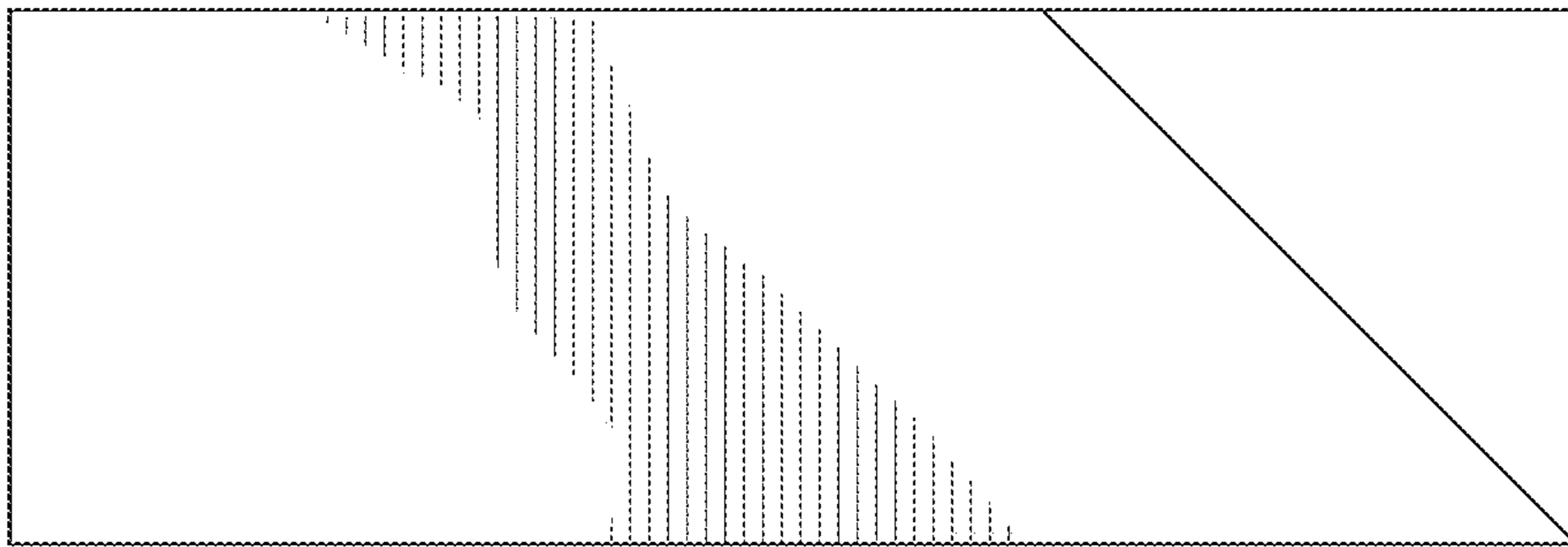


FIG. 2

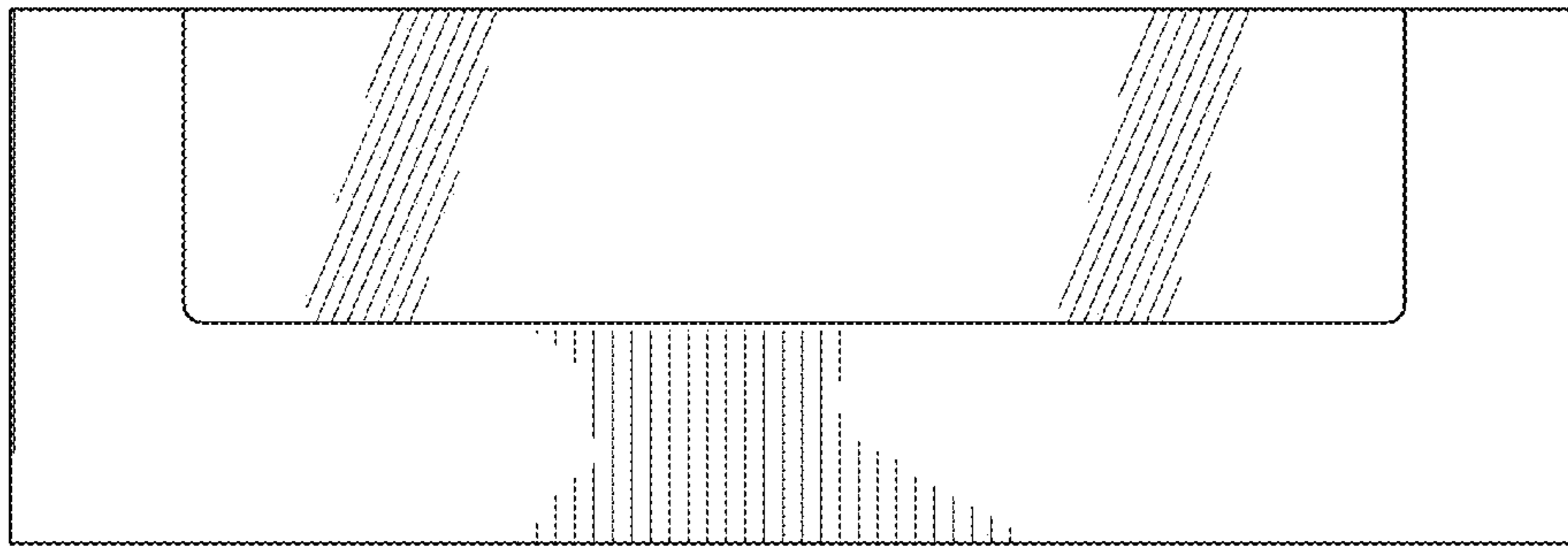


FIG. 3

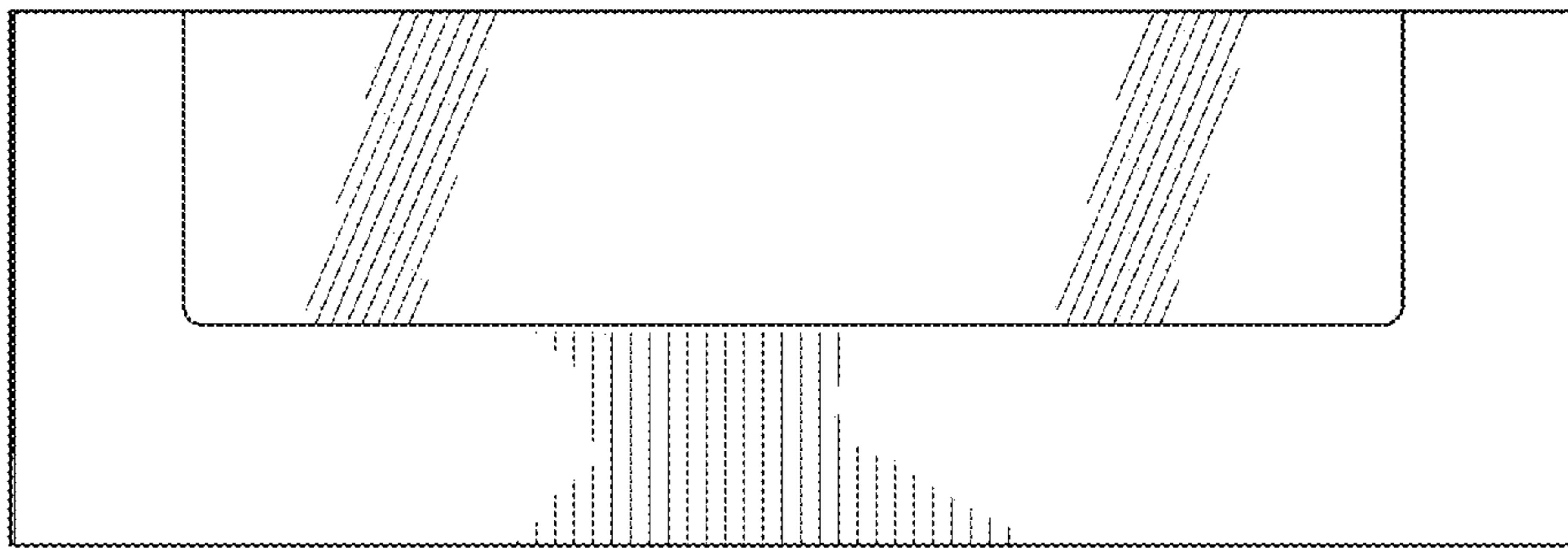


FIG. 4

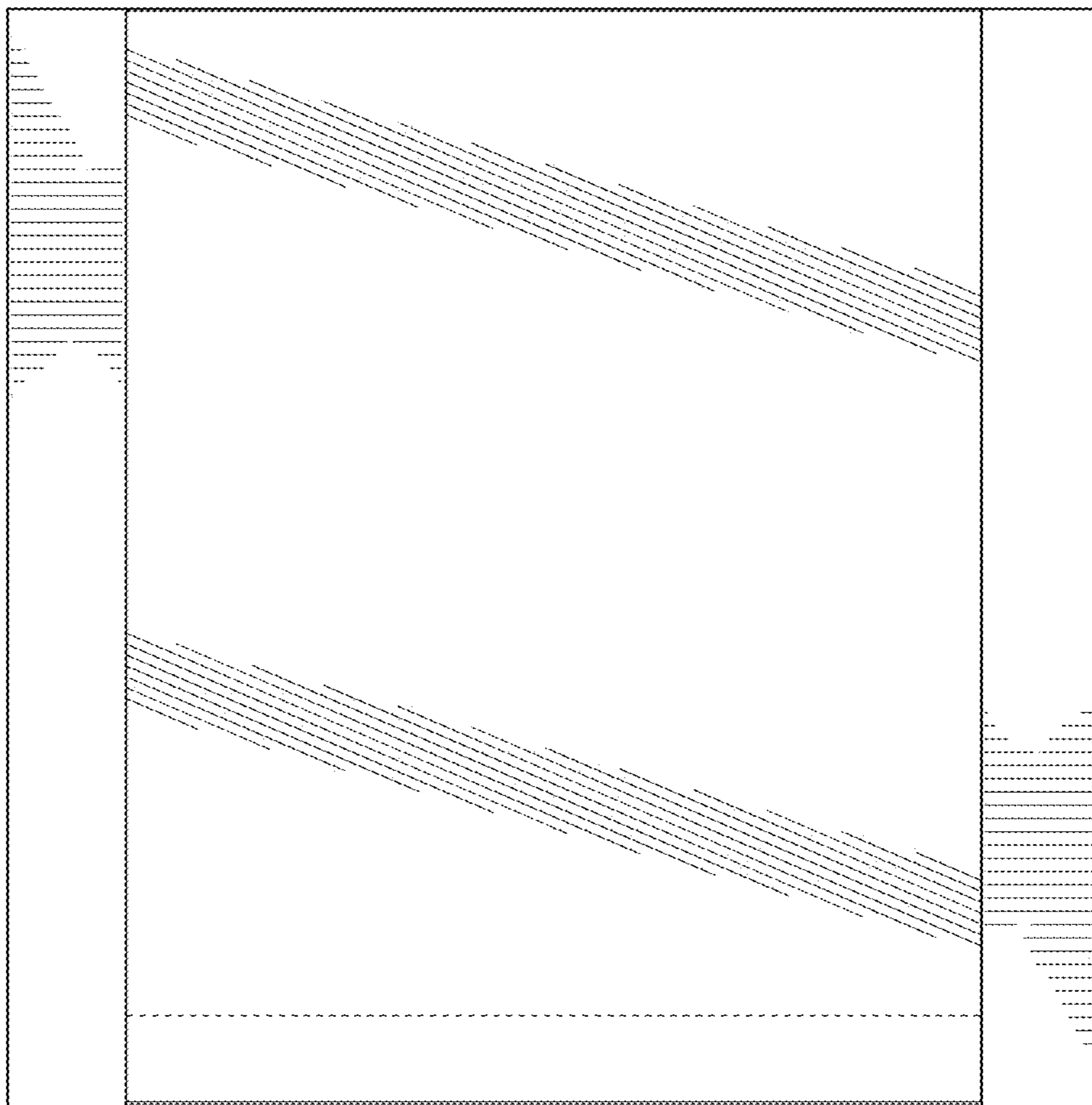


FIG. 5

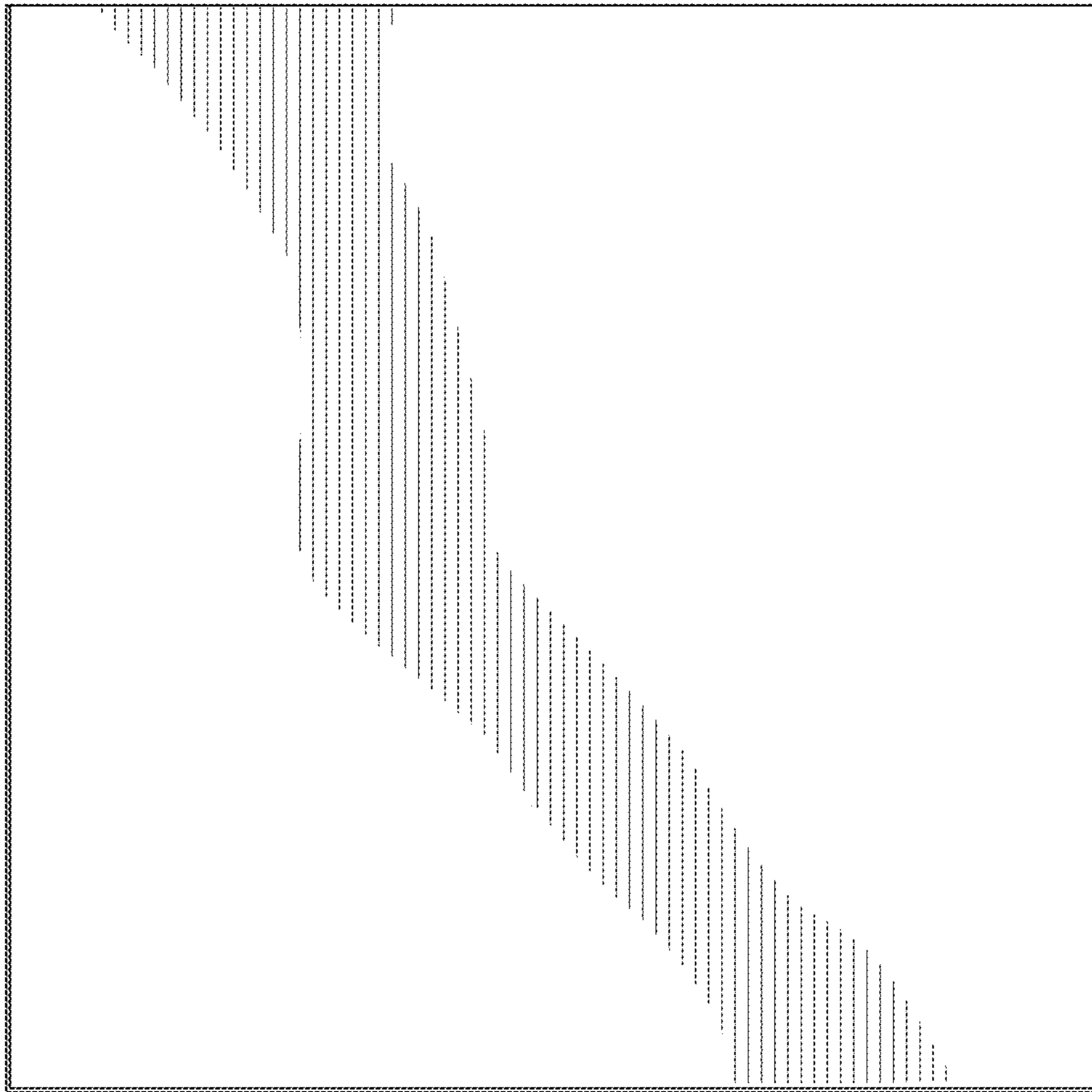


FIG. 6

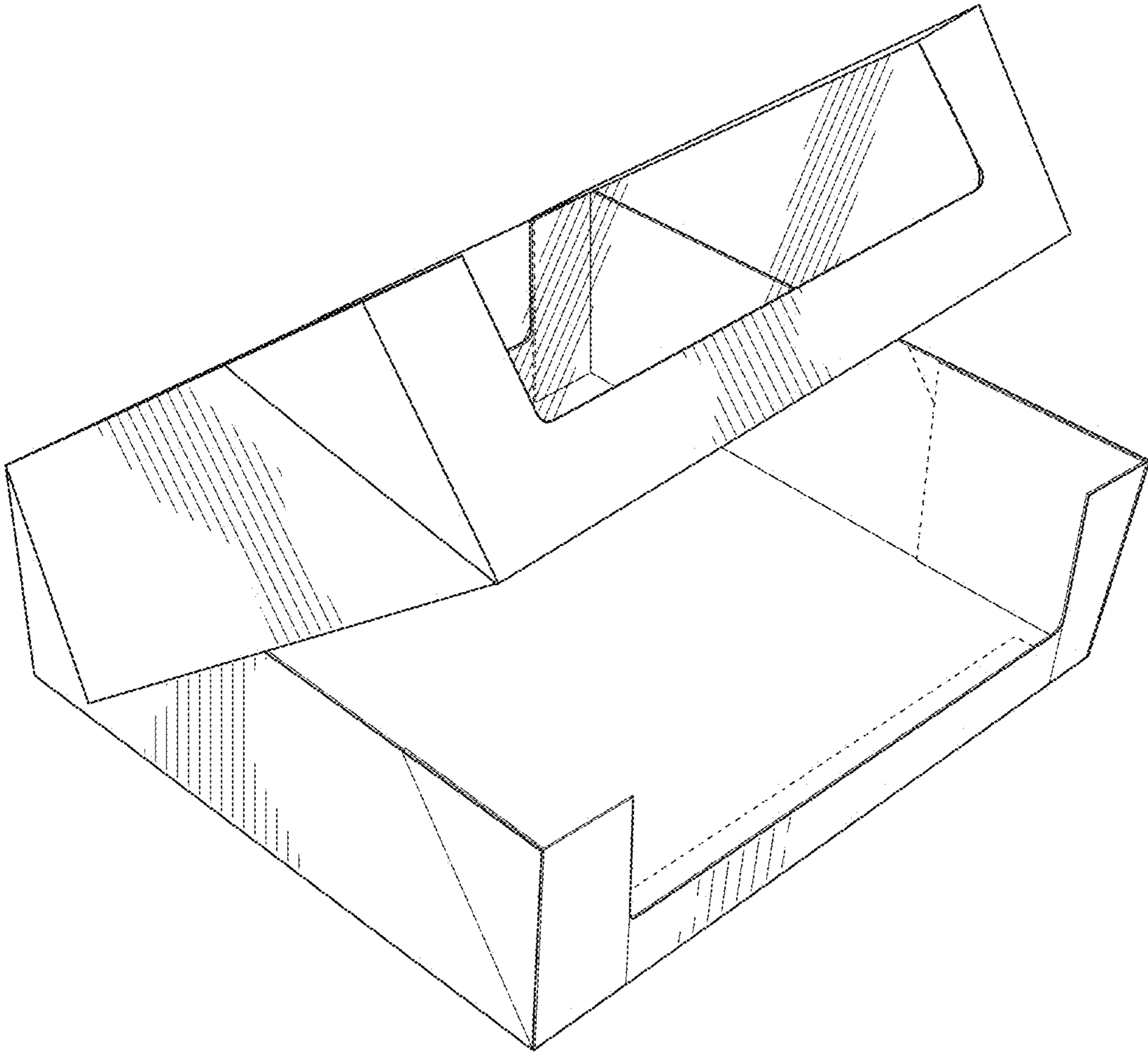


FIG. 7

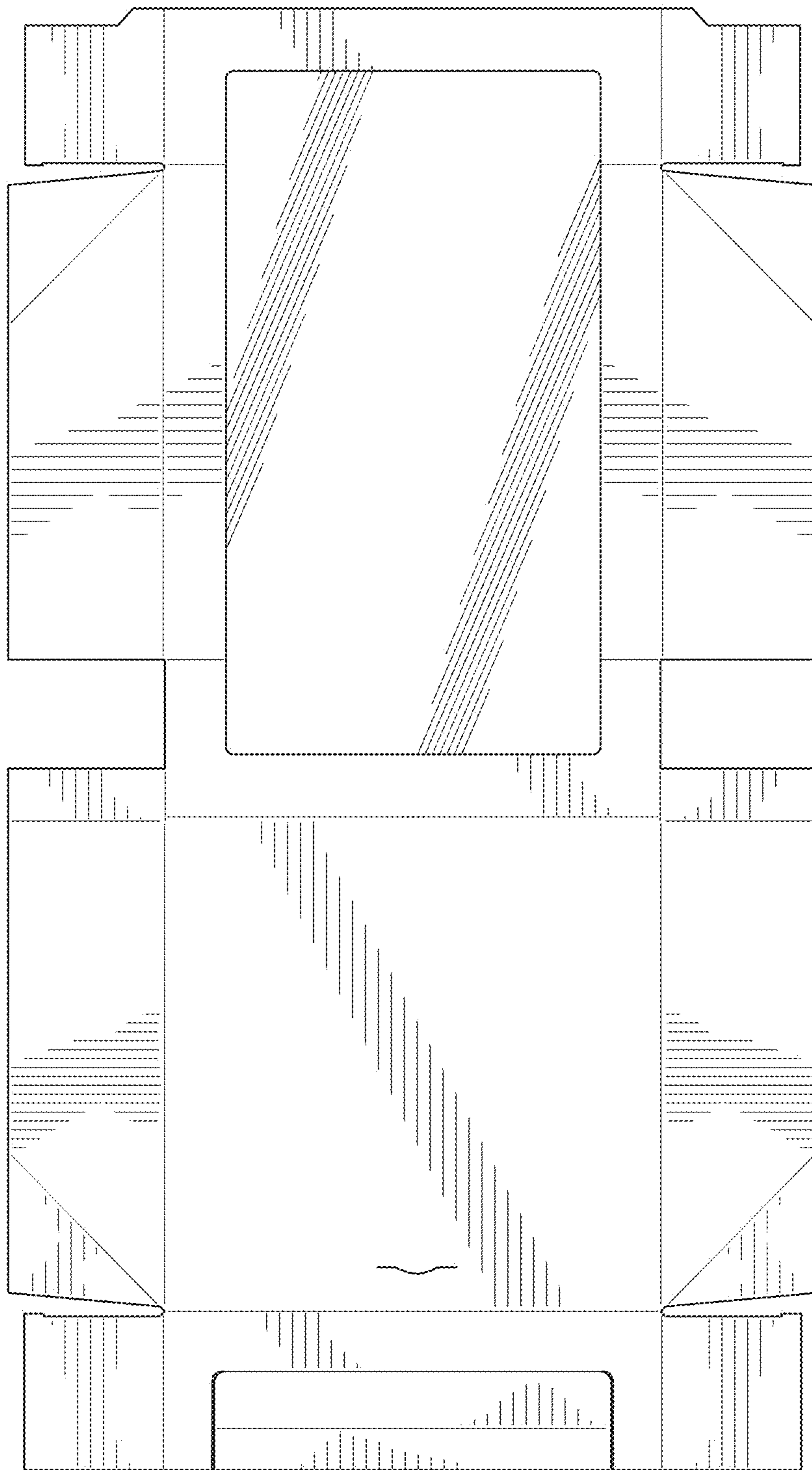


FIG. 8