

US00D762112S

(12) **United States Design Patent**
Heidl et al.

(10) **Patent No.:** **US D762,112 S**
(45) **Date of Patent:** **** Jul. 26, 2016**

(54) **PRODUCT PACKAGE**

(71) Applicant: **National Concessions Group Inc.**,
Denver, CO (US)
(72) Inventors: **Jeremy Heidl**, Denver, CO (US); **Gary Ross**, Fort Collins, CO (US); **Ralph Morgan**, Evergreen, CO (US); **Blake St. Clair**, Denver, CO (US); **Gentlehart Acres**, Denver, CO (US)

(73) Assignee: **National Concessions Group Inc.**,
Denver, CO (US)

(**) Term: **14 Years**

(21) Appl. No.: **29/508,198**

(22) Filed: **Nov. 4, 2014**

(51) **LOC (10) Cl.** **09-03**

(52) **U.S. Cl.**
USPC **D9/416**

(58) **Field of Classification Search**
USPC D9/414-416, 418, 421, 423-426, 430,
D9/432-438, 440, 443-445, 447, 449,
D9/455-457, 489, 499, 735, 739; 206/495;
D20/22, 27; 141/390, 331; D19/65;
D8/373; 2/49.4; D12/181; D14/489
CPC B67C 11/02; B65D 73/0021; B67D 7/421;
A41B 13/10

See application file for complete search history.

(56) **References Cited**

U.S. PATENT DOCUMENTS

3,130,834 A 4/1964 Korzaan
3,270,878 A 9/1966 Giesler
4,023,759 A 5/1977 Perkins
4,328,894 A 5/1982 Edell
4,660,225 A * 4/1987 Kahn A41B 13/10
2/49.4
4,817,691 A * 4/1989 Lau B67D 7/421
141/390

5,121,779 A * 6/1992 Green B67C 11/02
141/331
D365,249 S 12/1995 Reisman
D370,386 S * 6/1996 Pallesen D20/22
5,776,586 A 7/1998 Lipper
D425,842 S * 5/2000 McNaughton D12/181
D431,460 S 10/2000 Nichol
D438,092 S * 2/2001 Schmidt D8/373
6,283,311 B1 9/2001 Lee
D496,265 S 9/2004 Dossett et al.
6,935,516 B2 8/2005 Chiang
7,246,459 B2 7/2007 Lewis
7,404,488 B2 7/2008 Verbruggen et al.
D585,493 S * 1/2009 Pascale D19/65
D600,112 S 9/2009 Cote et al.
D601,021 S 9/2009 Hogenbirk
D614,490 S 4/2010 Ouimette et al.
D614,491 S 4/2010 Rhoad
7,743,917 B2 6/2010 Konop et al.

(Continued)

OTHER PUBLICATIONS

U.S. Appl. No. 14/523,662, filed Oct. 24, 2014, Heidl et al.

(Continued)

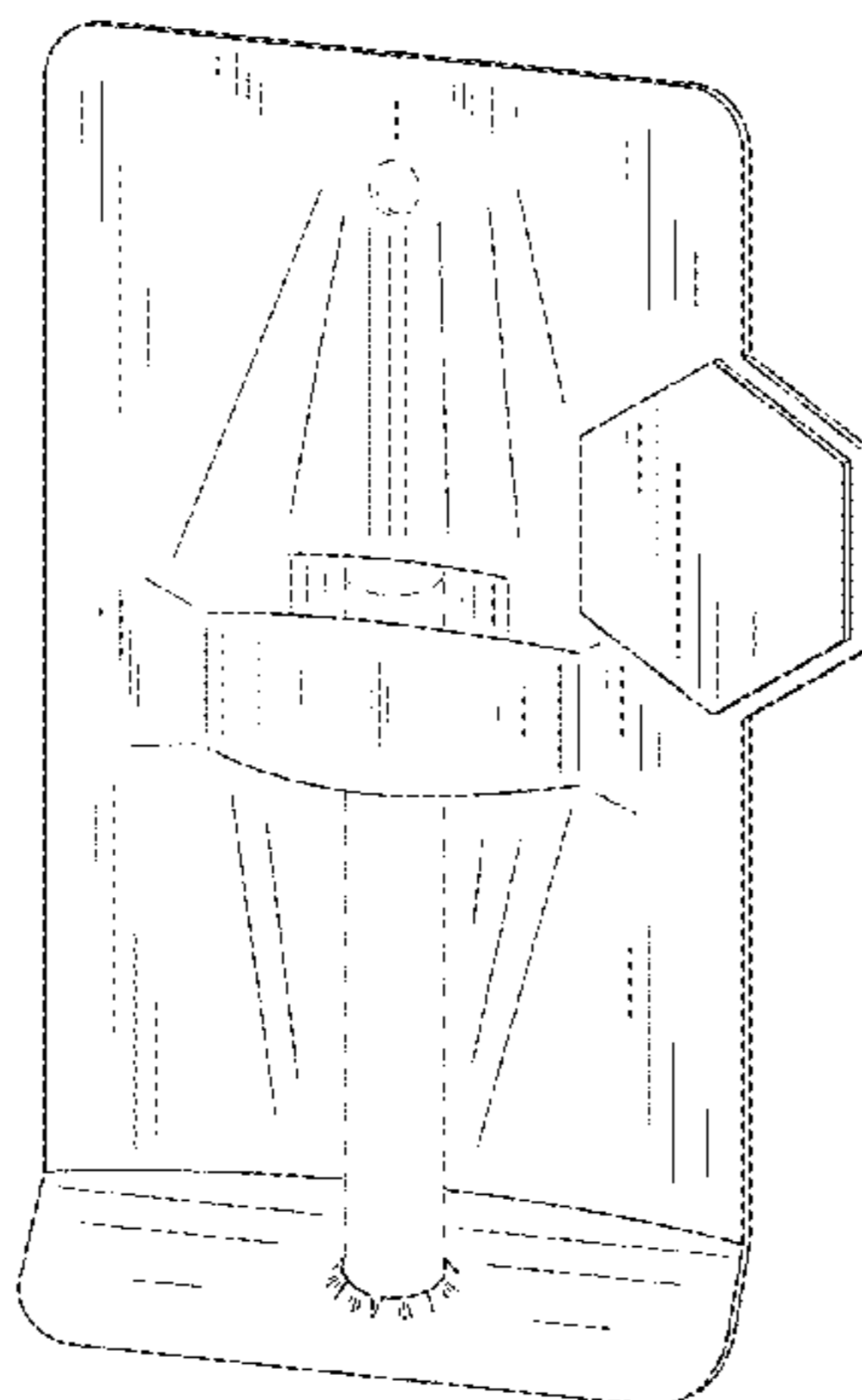
Primary Examiner — Holly Baynham
Assistant Examiner — Rhea Shields
(74) *Attorney, Agent, or Firm* — Sheridan Ross P.C.

(57) **CLAIM**
The ornamental design for product package, as shown and described.

DESCRIPTION

FIG. 1 is a front perspective view of the product package;
FIG. 2 is a top plan view thereof;
FIG. 3 is a front elevation view thereof;
FIG. 4 is a right elevation view thereof;
FIG. 5 is a left elevation view thereof;
FIG. 6 is a rear elevation view thereof; and,
FIG. 7 is a bottom plan view thereof.
The broken lines are included for the purpose of illustrating environment and form no part of the claimed design.

1 Claim, 3 Drawing Sheets



(56)

References Cited

U.S. PATENT DOCUMENTS

D620,359	S	7/2010	Ginsberg et al.	
D623,236	S *	9/2010	Engelby	D20/22
7,905,351	B2	3/2011	Konop et al.	
D654,724	S	2/2012	Lecoutre	
D654,725	S	2/2012	Lecoutre	
D656,340	S	3/2012	Lecoutre	
D659,193	S *	5/2012	Newman	D20/27
D693,846	S *	11/2013	Daniel	D14/489
D711,234	S	8/2014	Morgan et al.	
D711,235	S	8/2014	Morgan et al.	
D721,277	S *	1/2015	Harrison	D9/457
D735,571	S *	8/2015	Futase	D9/416
2005/0155945	A1	7/2005	Kao	
2006/0201836	A1	9/2006	Pendergraph et al.	
2007/0284279	A1	12/2007	Doskoczynski et al.	
2014/0262906	A1	9/2014	Le	
2015/0114869	A1 *	4/2015	Heidl	B65D 73/0021 206/495
2015/0129458	A1	5/2015	Liu	
2015/0209956	A1	7/2015	Hu	

OTHER PUBLICATIONS

U.S. Appl. No. 29/508,197, filed Nov. 4, 2014, Heidl et al.
 Kohn, "Personal Vaporizer Review: The O.Pen," Cannabis Commerce Online, Feb. 1, 2013, available at <http://cannabis-commerce.com/2013/02/01/o-pen-personal-vaporizer-review/>, 42 pages.
 Mitchem, "Correction: O.Pen Vape Sales Skyrocket Witihin 30 Days of Legalized Cannabis in Colorado," Yahoo Finance Feb. 24, 2014, available at <http://finance.yahoo.com/news/correction-o-penvape-sales-skyrocket-155736017.html>.
 Notice of Allowance for U.S. Appl. No. 29/470,944, mailed Mar. 25, 2014, 11 pages.
 Notice of Allowance for U.S. Appl. No. 29/470,945, mailed Mar. 25, 2014, 11 pages.
 Official Action for U.S. Appl. No. 29/508,197, mailed Nov. 23, 2015 5 pages.
 Notice of Allowance for U.S. Appl. No. 29/508,197, mailed Feb. 11, 2016 6 pages.

* cited by examiner

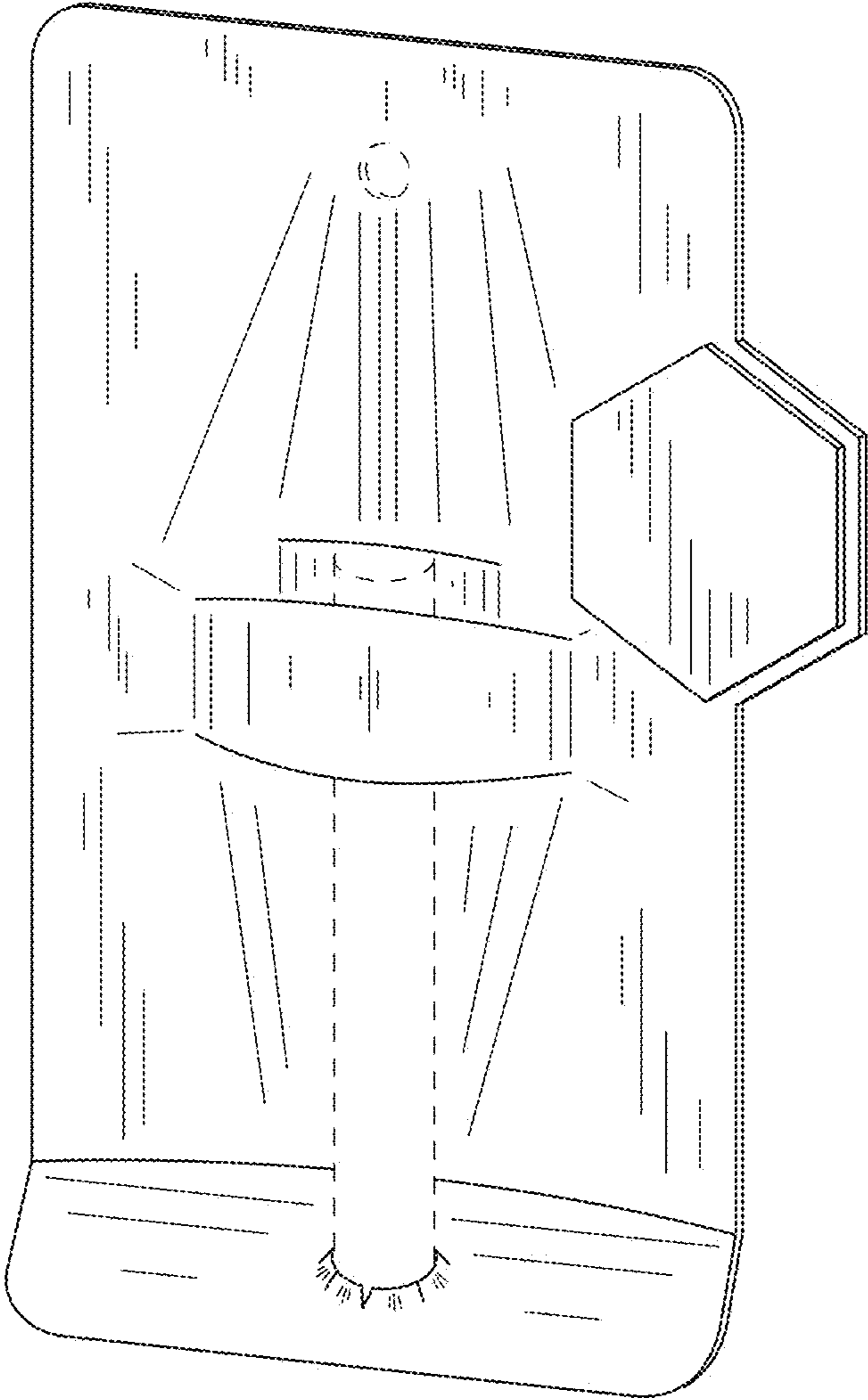


FIG.1

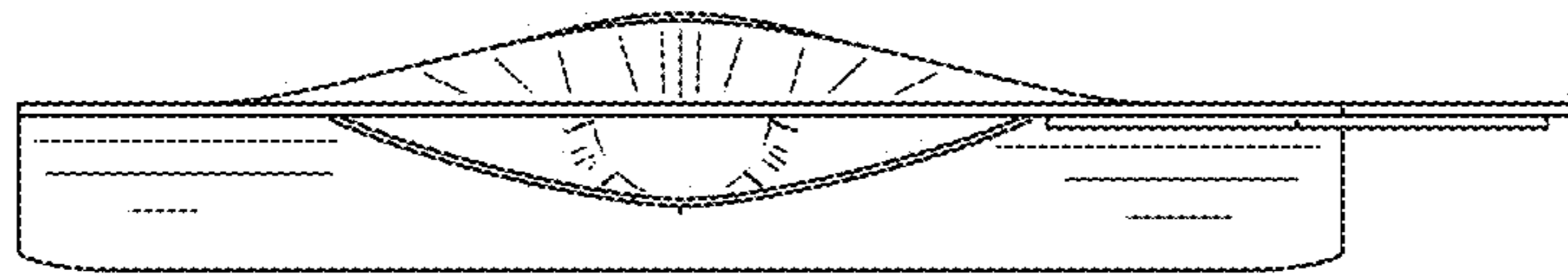


FIG. 2

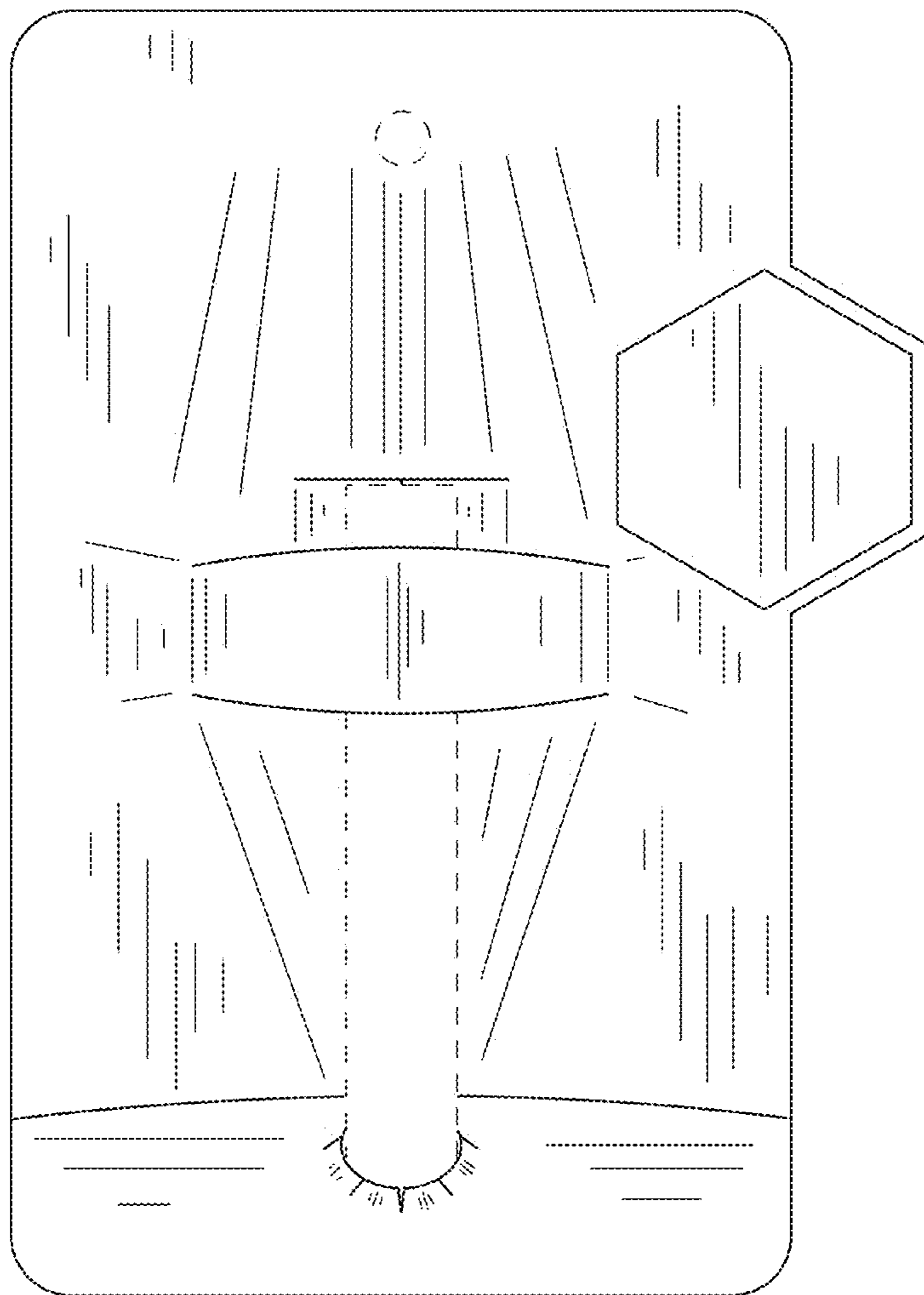


FIG. 3

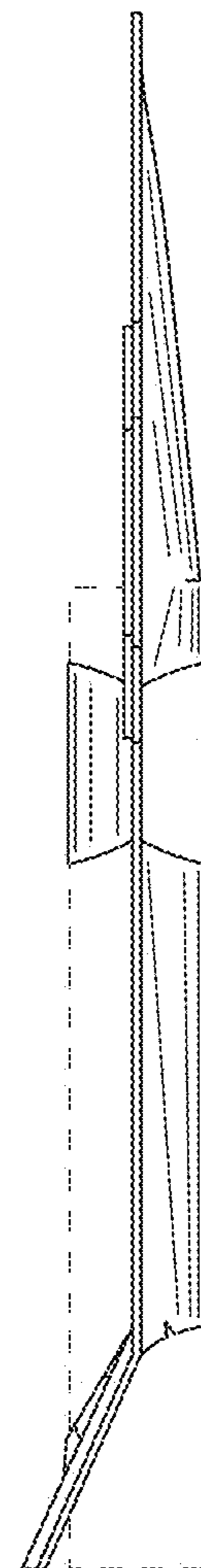


FIG. 4

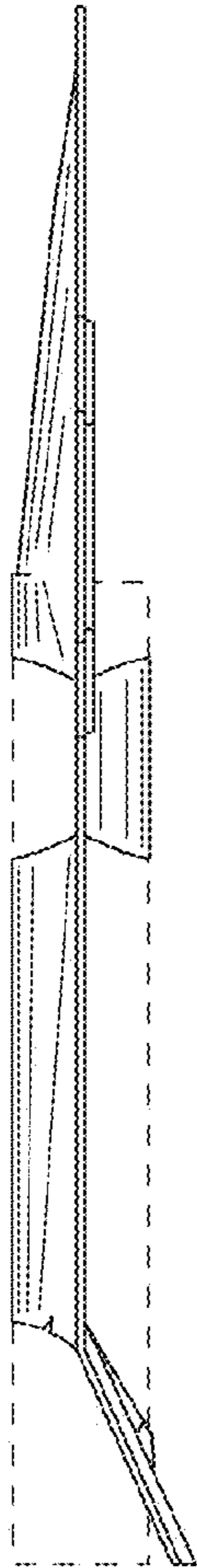


FIG. 5

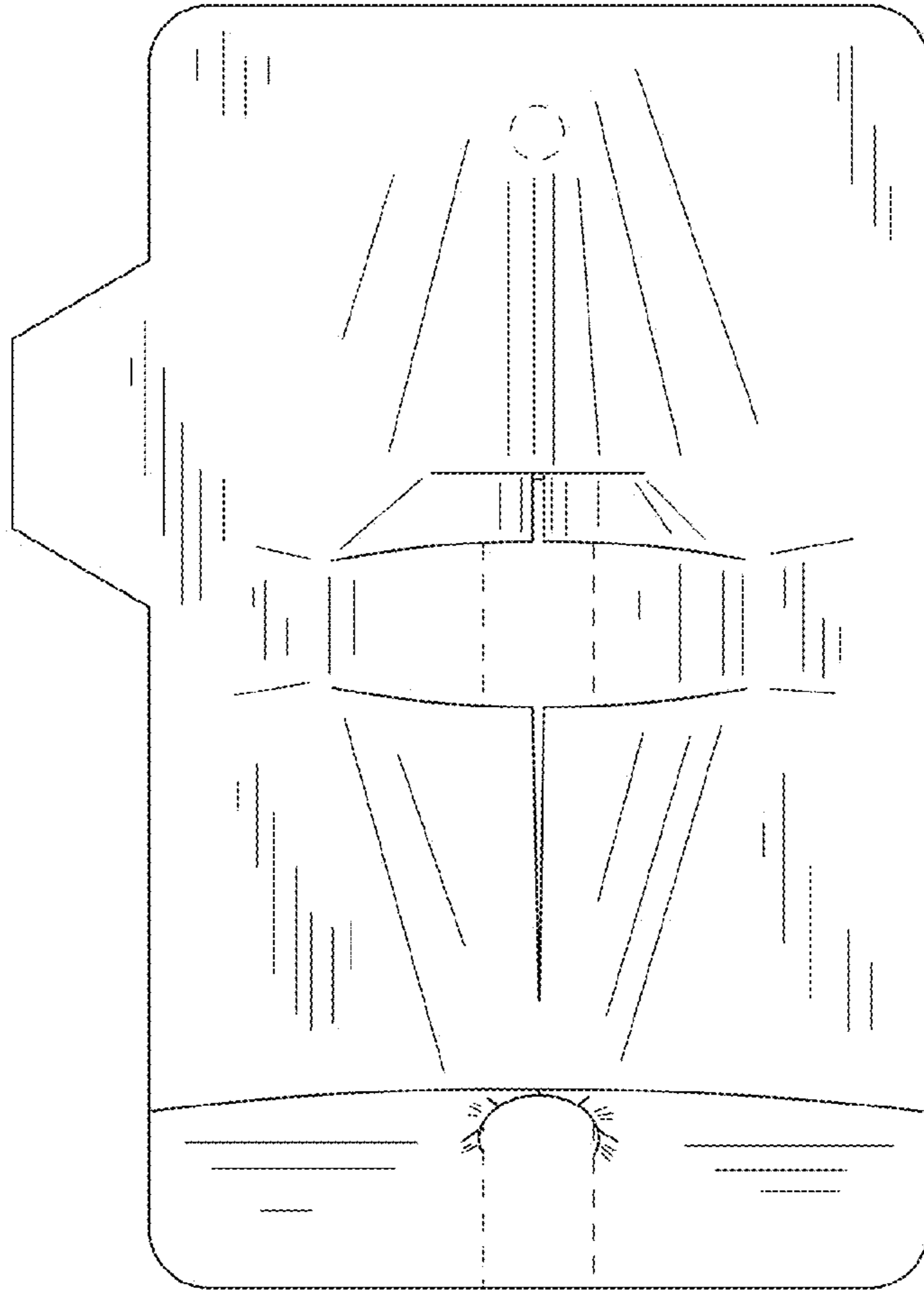


FIG. 6



FIG. 7