



US00D762111S

(12) **United States Design Patent**
Pittman

(10) **Patent No.:** **US D762,111 S**
(45) **Date of Patent:** **** Jul. 26, 2016**

(54) **LOCKING NUT**

(71) Applicant: **Impact Weapons Components, LLC,**
Timnath, CO (US)

(72) Inventor: **Earl L. Pittman,** Fort Collins, CO (US)

(73) Assignee: **Impact Weapons Components, LLC,**
Timnath, CO (US)

(**) Term: **14 Years**

(21) Appl. No.: **29/512,483**

(22) Filed: **Dec. 19, 2014**

(51) **LOC (10) Cl.** **08-08**

(52) **U.S. Cl.**
USPC **D8/397**

(58) **Field of Classification Search**
USPC D8/397, 394, 382, 349, 312, 107, 399;
D11/222; D2/869
CPC F16L 19/0206; B60B 3/16; F16B 39/26;
F16B 39/24; F16B 37/02; F16B 31/02;
H01R 9/0524
See application file for complete search history.

(56) **References Cited**

U.S. PATENT DOCUMENTS

3,049,161	A *	8/1962	Attwood	F16B 37/045	238/342
D223,532	S *	5/1972	Shinjo	D8/397	
D229,610	S *	12/1973	Shinjo	D8/397	
D276,411	S *	11/1984	Peroni	D8/399	
D450,572	S *	11/2001	Nimmo	D8/397	
D512,302	S *	12/2005	Velten	D8/397	
D534,934	S *	1/2007	Bernhardt	D15/140	

D544,550	S *	6/2007	Hageman	D21/497	
D698,235	S *	1/2014	Oetlinger	D8/397	
D701,113	S *	3/2014	Baker	D8/397	
2012/0244743	A1 *	9/2012	Lukas	H01R 13/665	439/488
2013/0185895	A1 *	7/2013	Daniel	F41C 27/00	16/2.1

* cited by examiner

Primary Examiner — Cynthia Underwood
(74) *Attorney, Agent, or Firm* — Cooley LLP

(57) **CLAIM**

The ornamental design for a locking nut, as shown and described.

DESCRIPTION

FIG. 1 is a perspective view;
FIG. 2 is another perspective view;
FIG. 3 is another perspective view;
FIG. 4 is another perspective view;
FIG. 5 is another perspective view;
FIG. 6 is a front view;
FIG. 7 is a back view;
FIG. 8 is a top view;
FIG. 9 is a bottom view;
FIG. 10 is a right side view; and,
FIG. 11 is a left side view.

The broken lines immediately adjacent the shaded areas represent the bounds of the claimed design while all other broken lines are directed to environment and are for illustrative purposes only; the broken lines form no part of the claimed design.

1 Claim, 11 Drawing Sheets

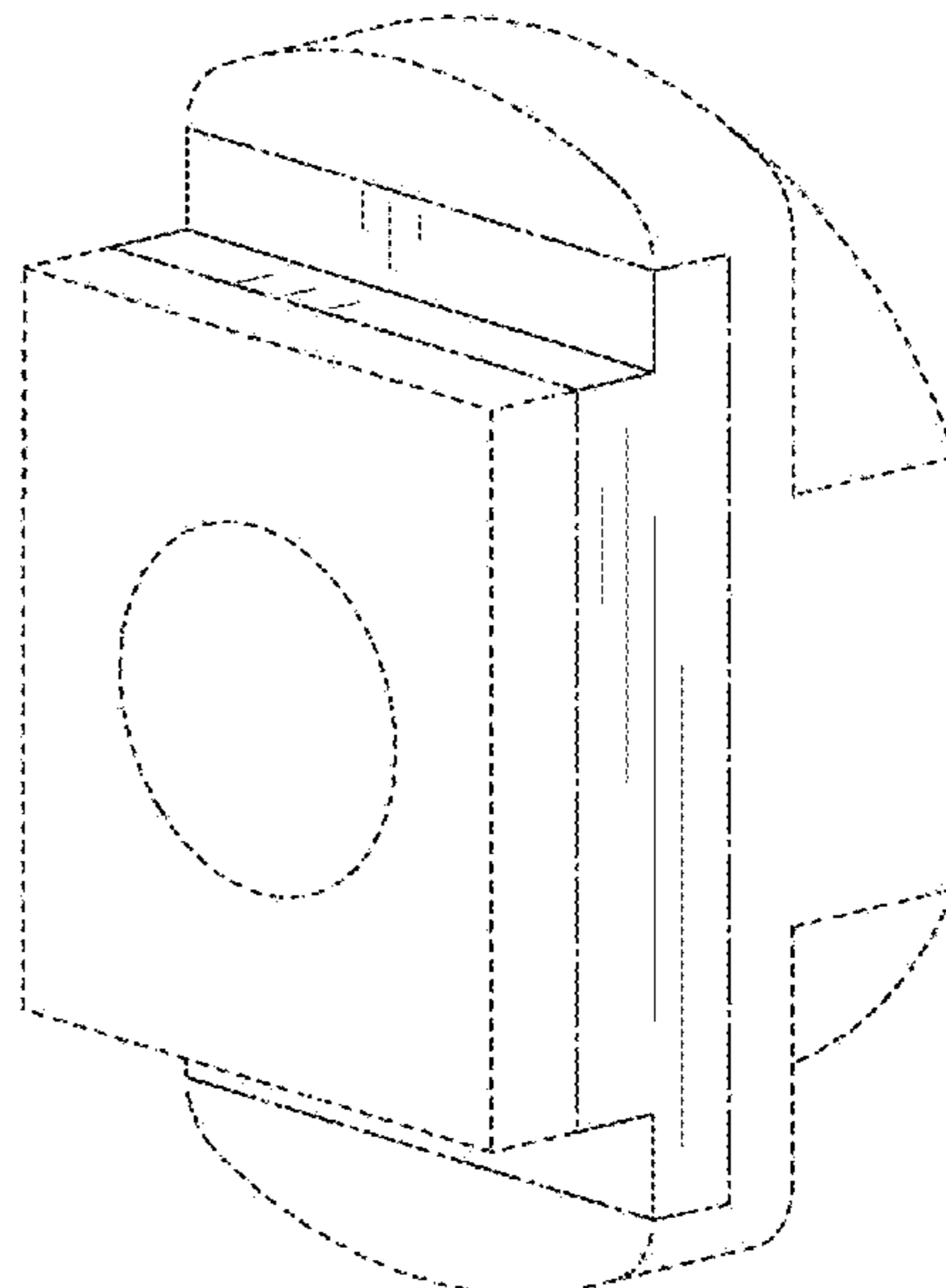
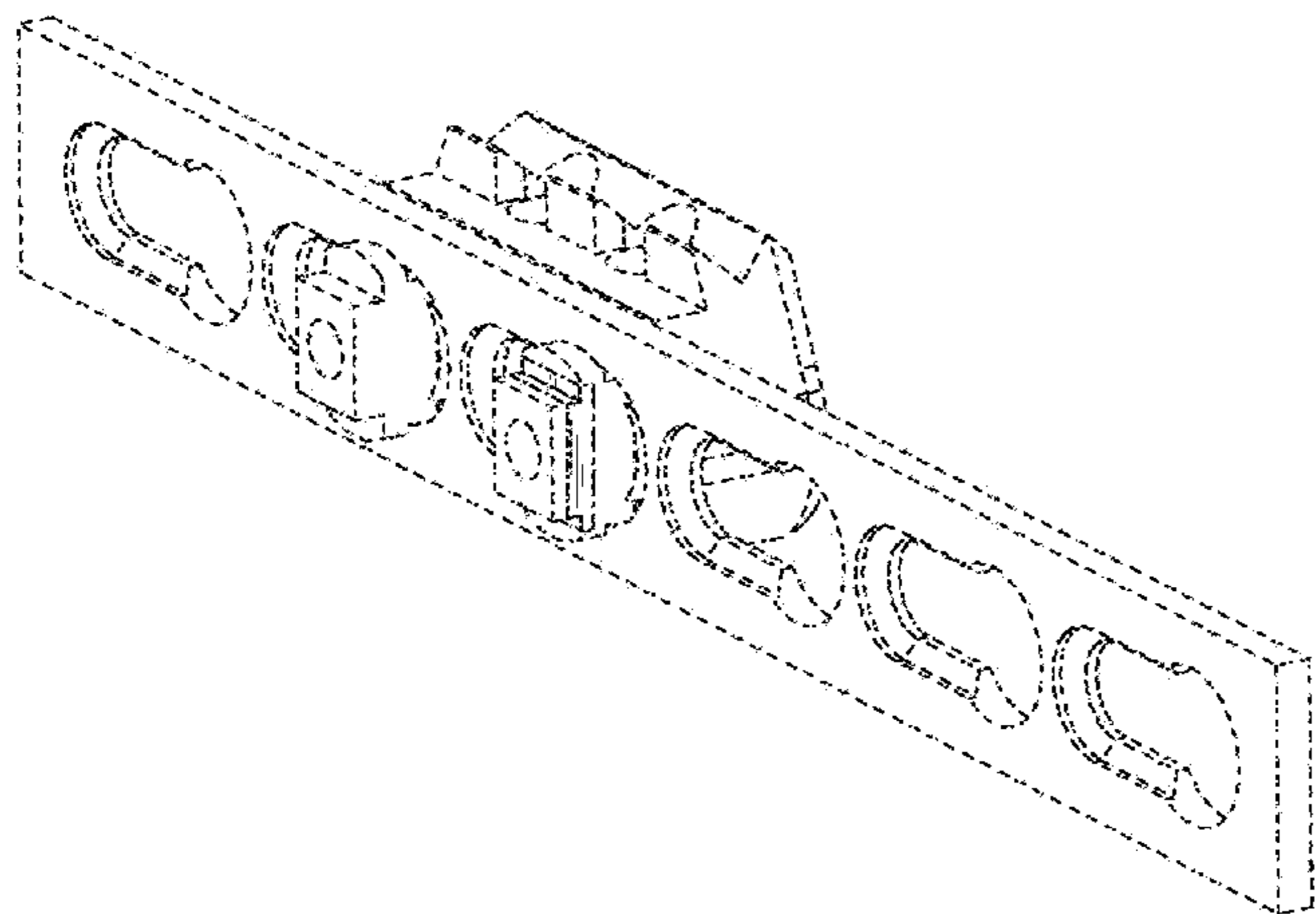


FIG. 1

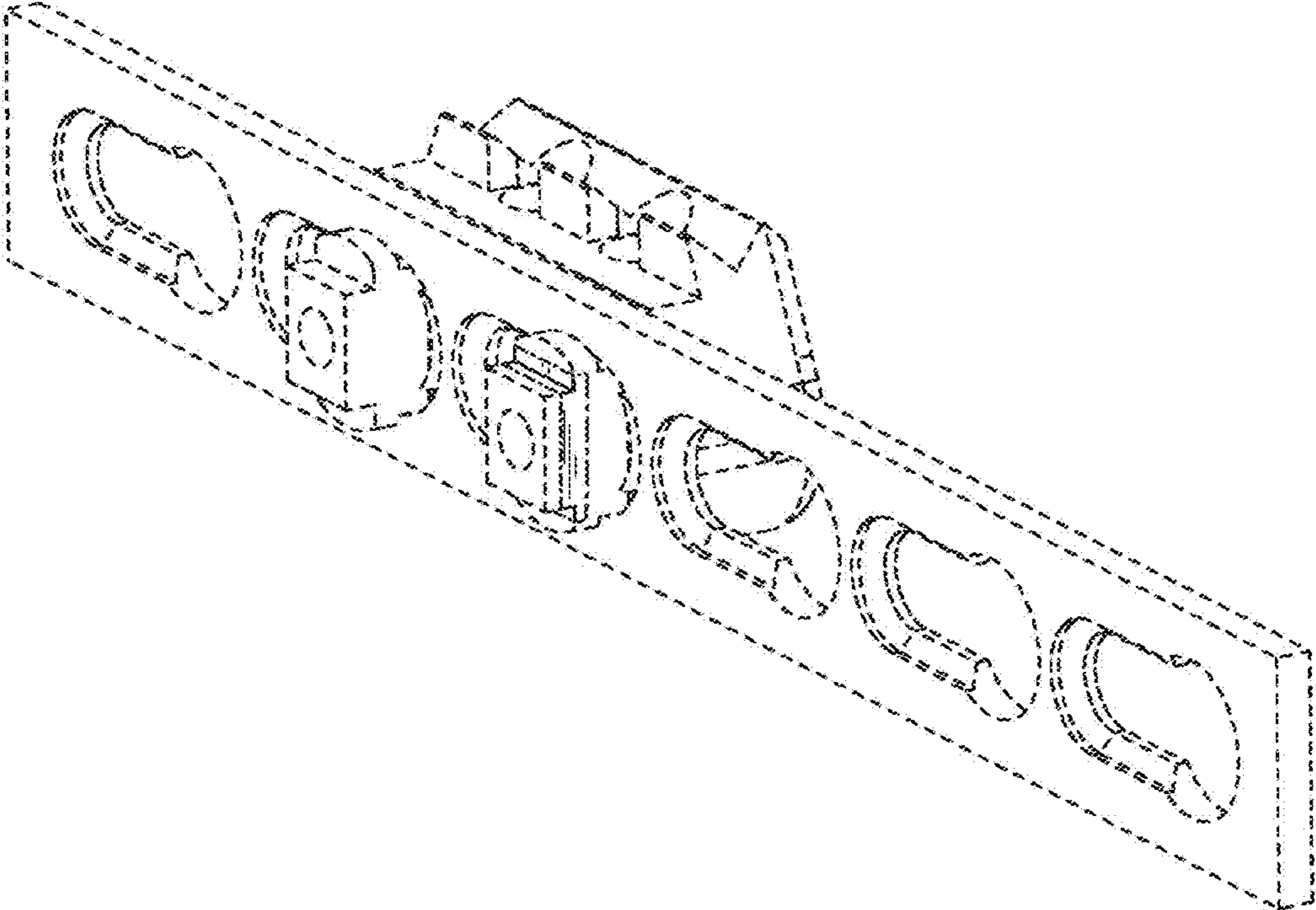


FIG. 2

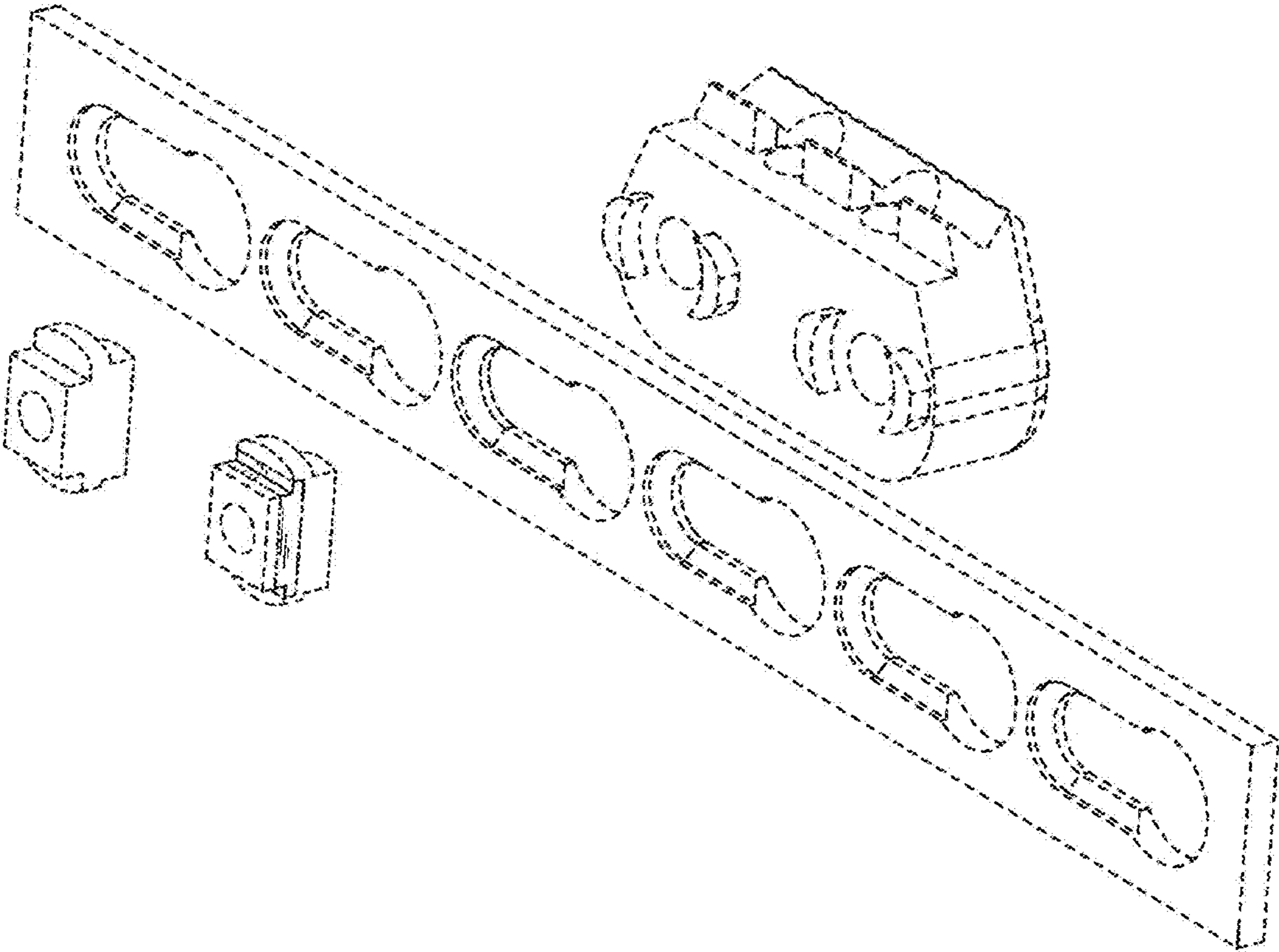


FIG. 3

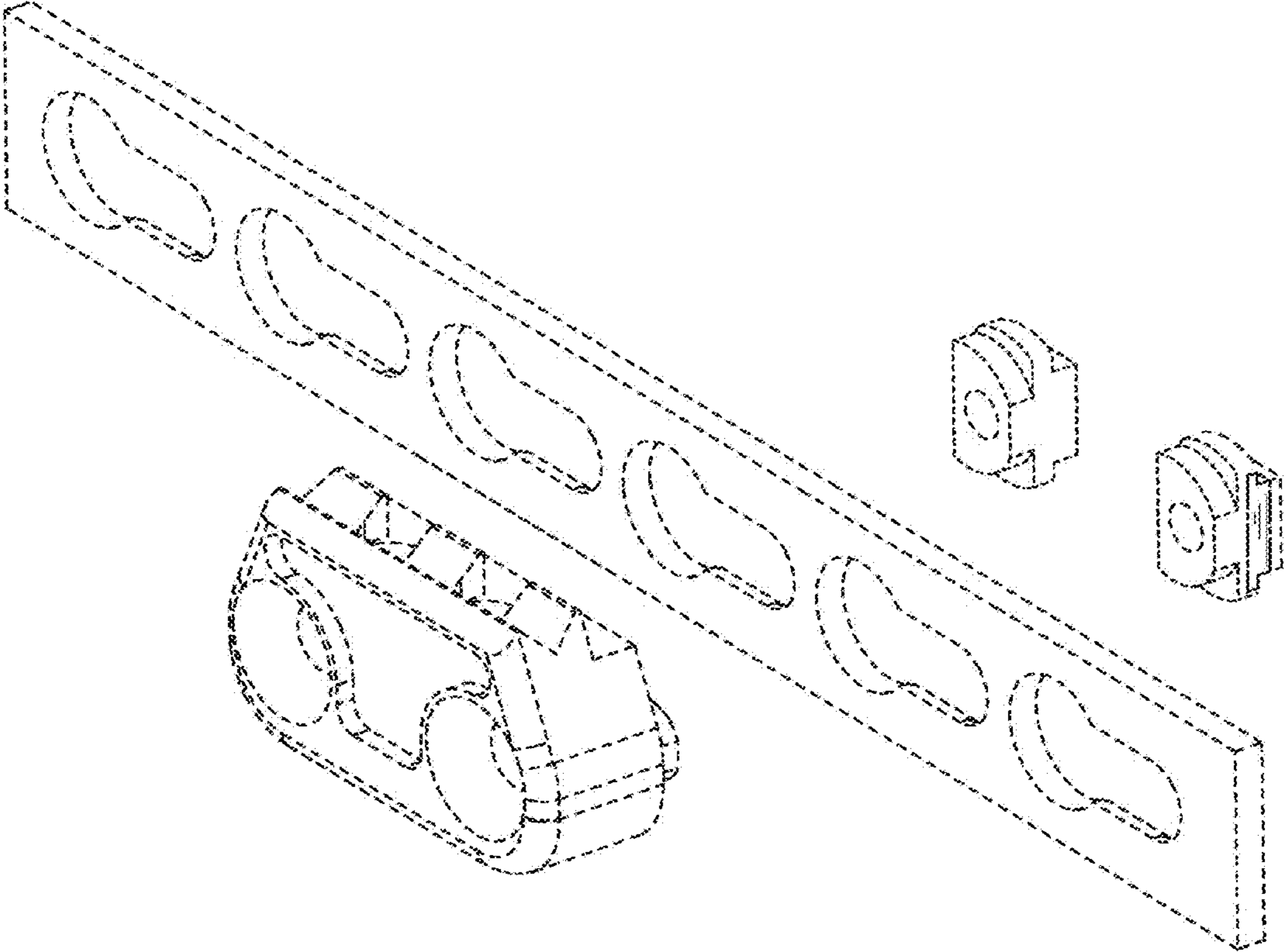


FIG. 4

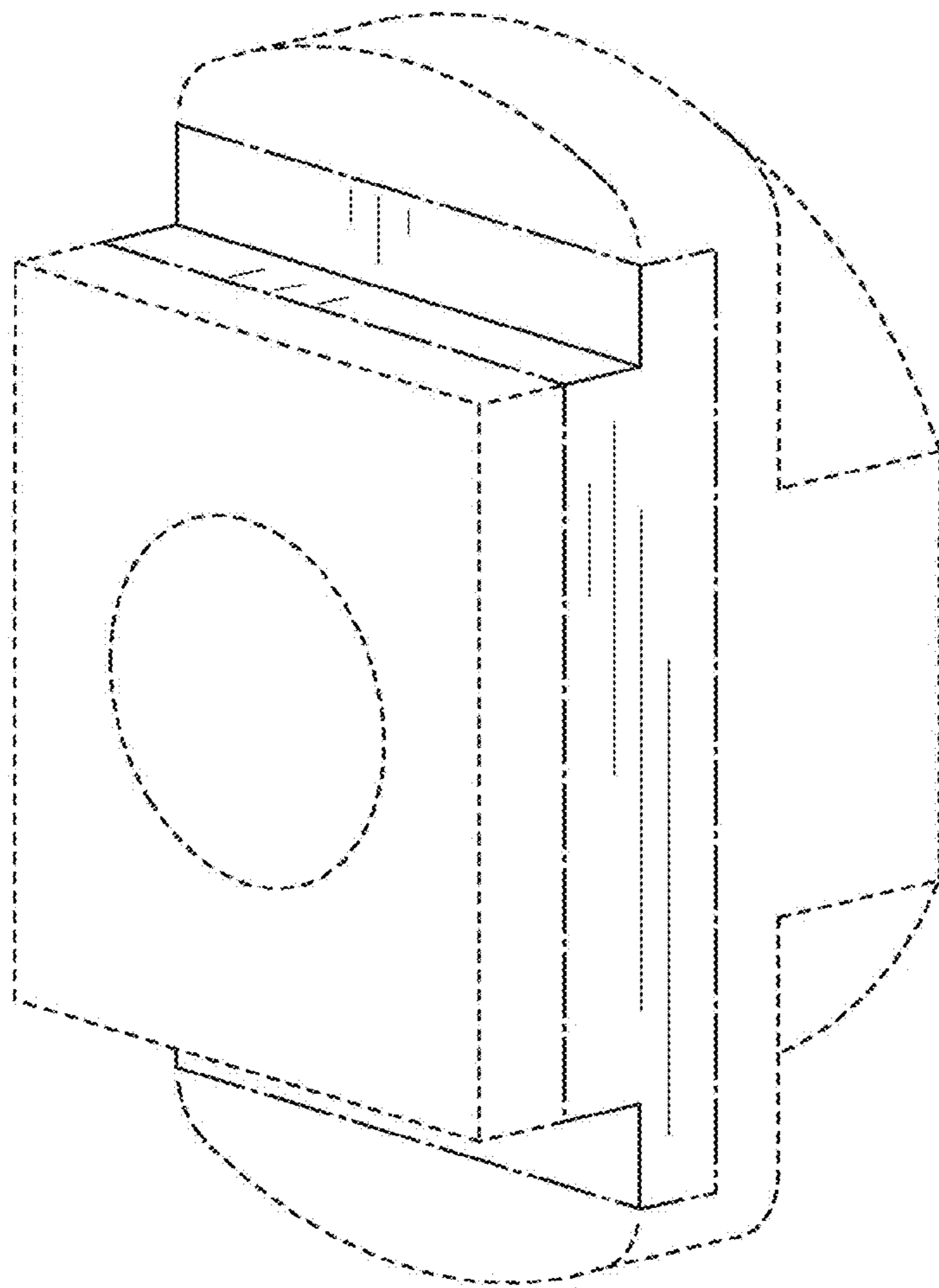


FIG. 5

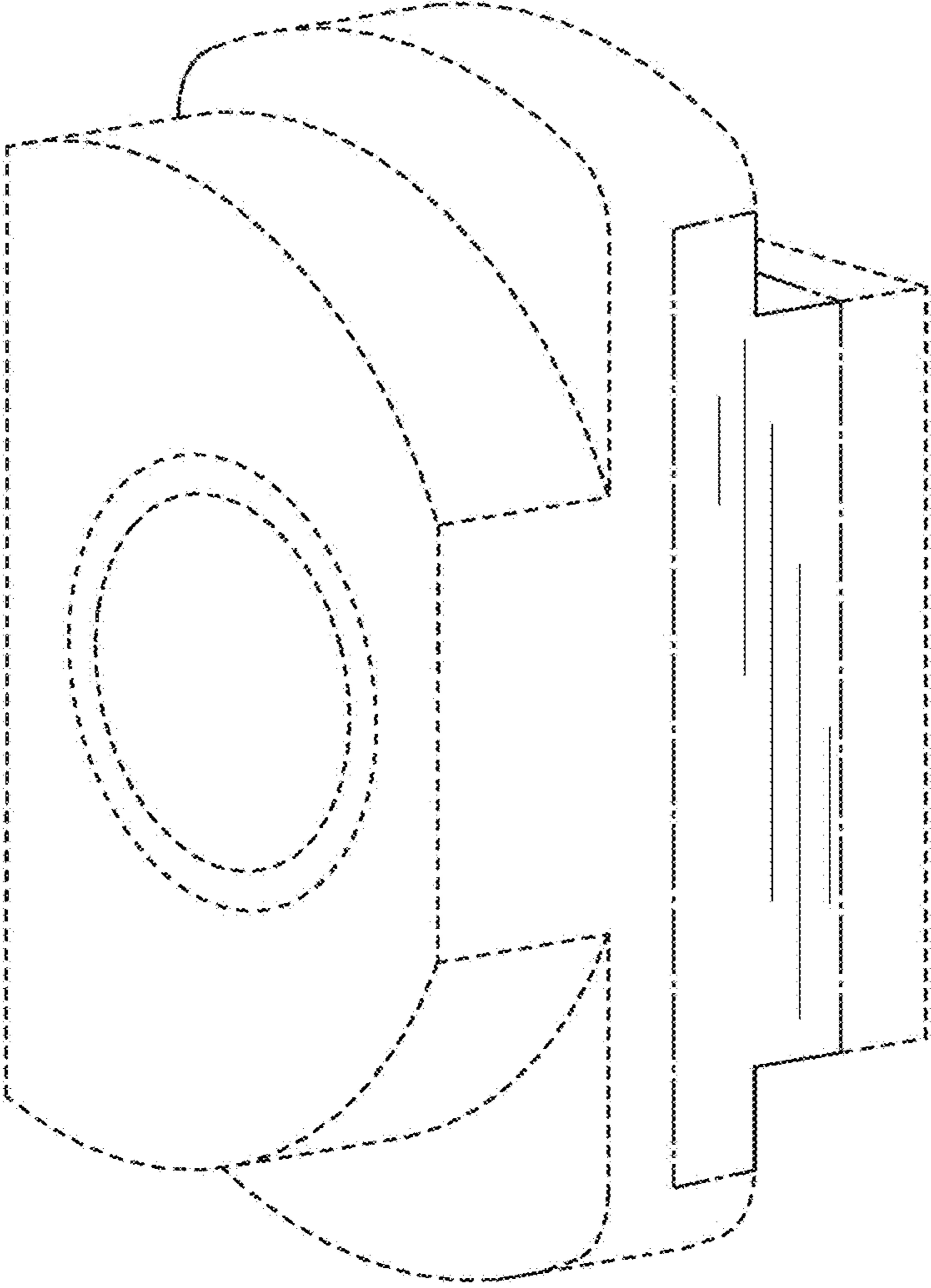


FIG. 6

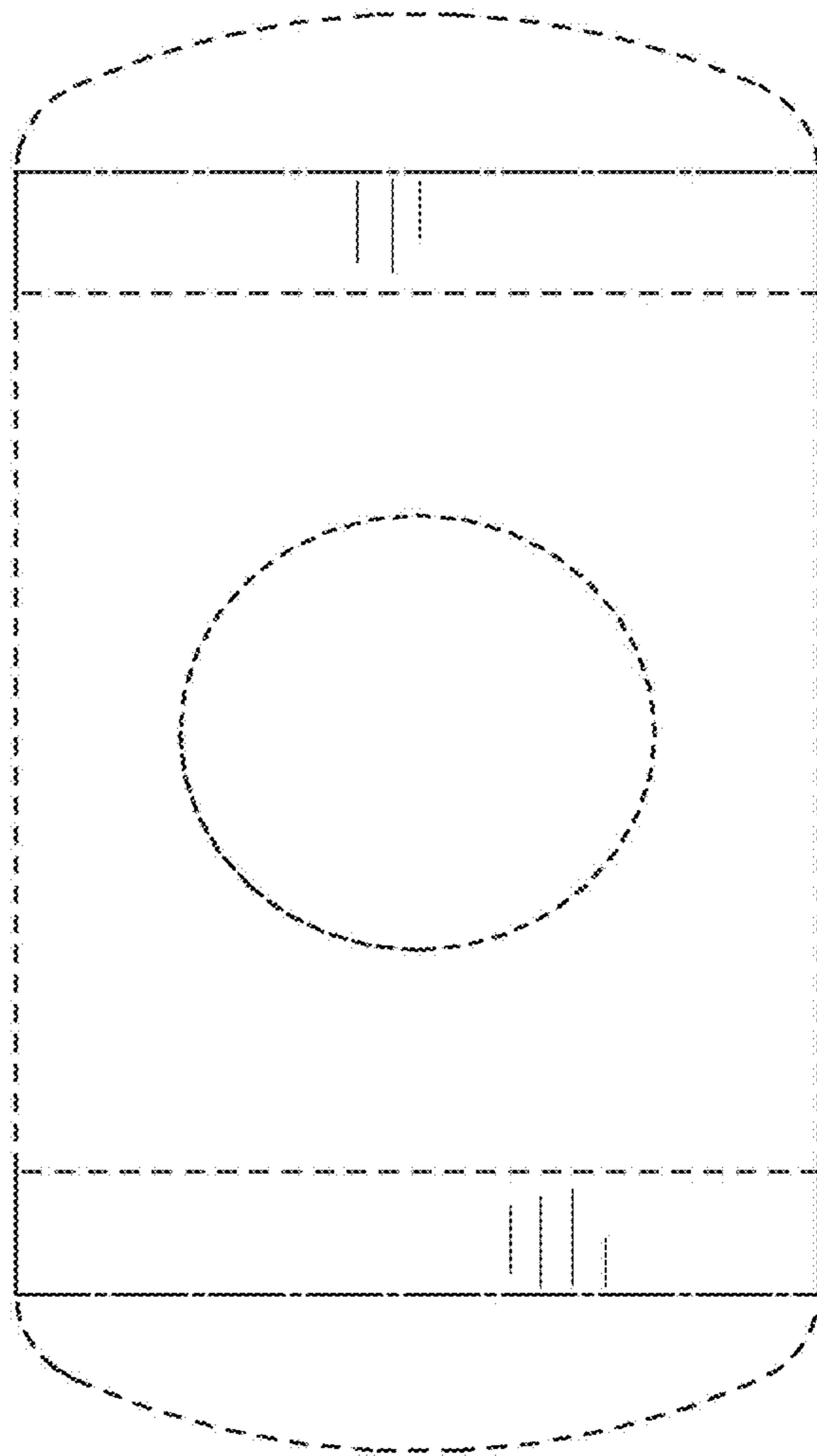


FIG. 7

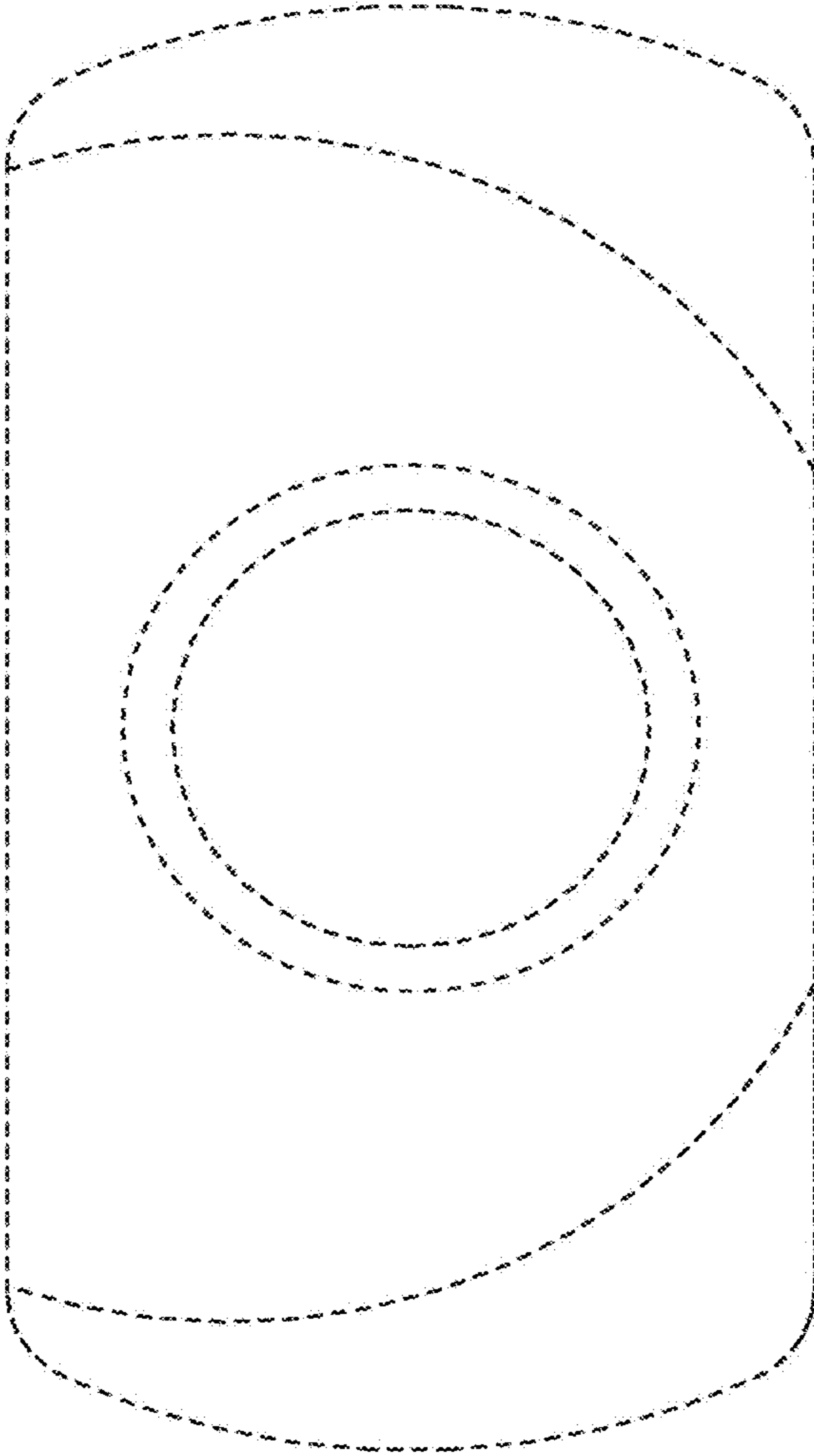


FIG. 8

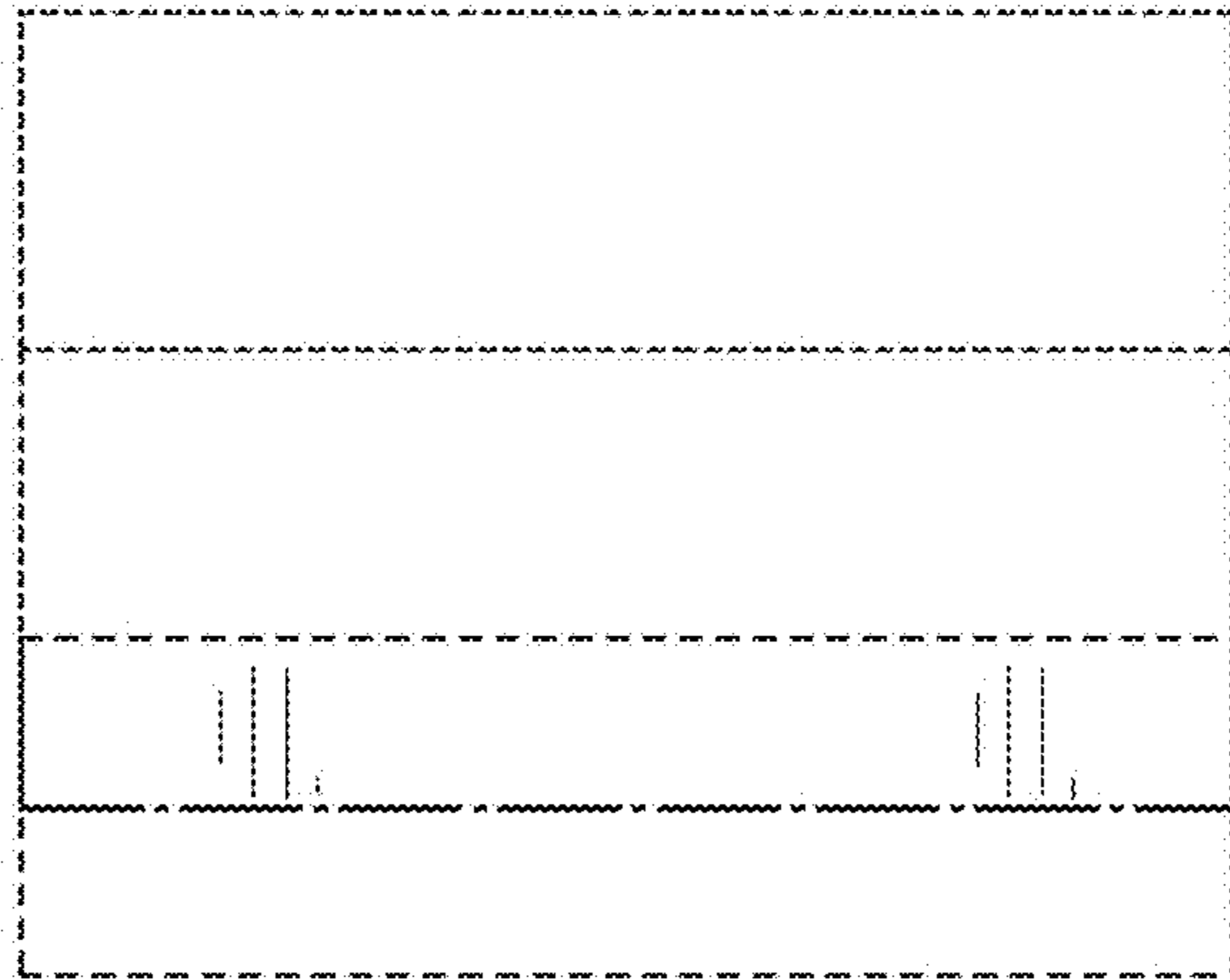


FIG. 9

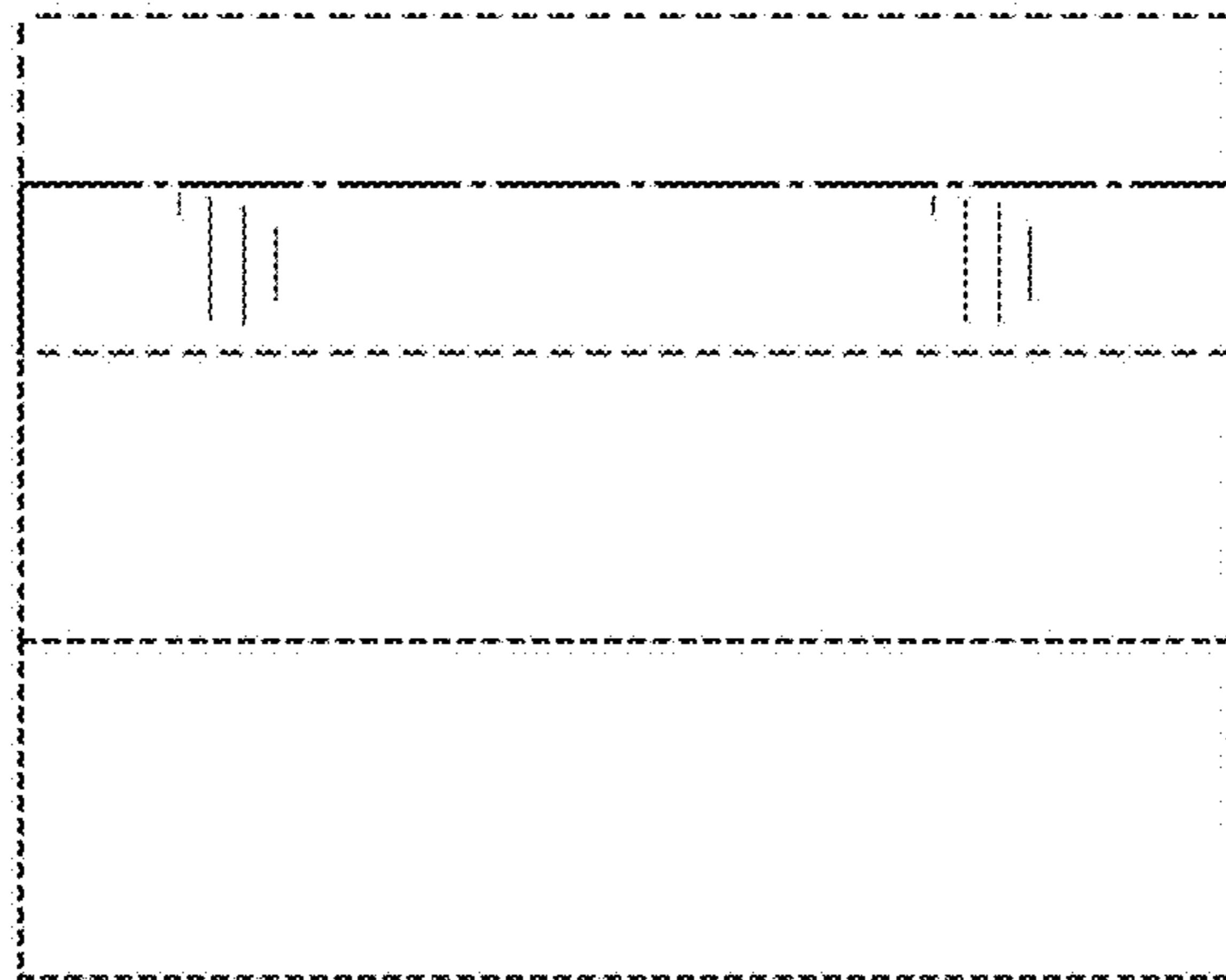


FIG. 10

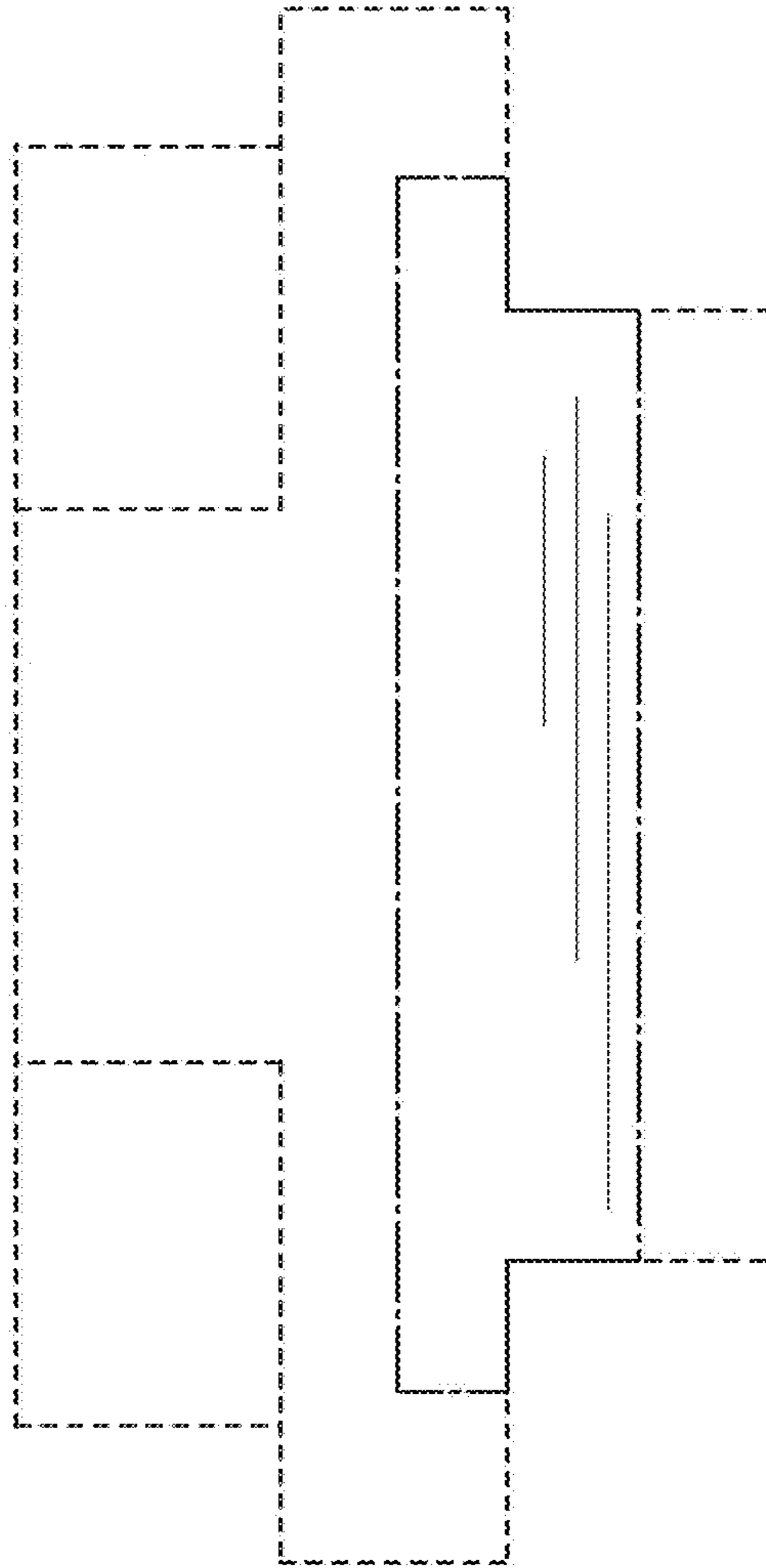


FIG. 11

