



US00D762110S

(12) **United States Design Patent**
Olson

(10) **Patent No.:** **US D762,110 S**
(45) **Date of Patent:** **** Jul. 26, 2016**

- (54) **BAR CLAMP**
- (71) Applicant: **Kevin J. Olson**, Turtle Lake, WI (US)
- (72) Inventor: **Kevin J. Olson**, Turtle Lake, WI (US)
- (**) Term: **14 Years**
- (21) Appl. No.: **29/525,041**
- (22) Filed: **Apr. 26, 2015**
- (51) **LOC (10) Cl.** **08-08**
- (52) **U.S. Cl.**
USPC **D8/394**
- (58) **Field of Classification Search**
USPC D8/394, 395, 396, 382, 72, 354, 356,
D8/355, 73, 371; 248/68.1, 74.3, 62;
285/420; 24/336, 341, 297; 439/758
CPC F16L 23/08; F16L 3/085; F16L 3/221;
F16L 3/137; F16L 3/08; E21F 17/02; Y10S
248/913; A44B 21/00
See application file for complete search history.

- 7,191,988 B2 * 3/2007 Kim F16L 3/085
248/229.2
- D591,587 S * 5/2009 Mason D8/354
- D690,190 S * 9/2013 McGrath D8/394
- 8,727,289 B2 * 5/2014 Abbott H02G 3/30
248/71
- 8,882,058 B2 * 11/2014 Marshall F16L 3/20
248/62
- 8,985,531 B2 * 3/2015 Wood B22F 3/1055
174/93
- D736,073 S * 8/2015 Eriksson D8/394
- D739,721 S * 9/2015 Gretz D8/396
- D747,182 S * 1/2016 Brickzin D8/363

* cited by examiner

Primary Examiner — Ralf Seifert

(74) *Attorney, Agent, or Firm* — David Alan Lingbeck

(57) **CLAIM**

The ornamental design for a bar clamp, as shown and described.

DESCRIPTION

FIG. 1 is a perspective view of a bar clamp showing my new design.

FIG. 2 is a first side elevation view of the bar clamp.

FIG. 3 is a second side elevation view of the bar clamp.

FIG. 4 is a third side elevation view of the bar clamp.

FIG. 5 is a fourth side elevation view of the bar clamp.

FIG. 6 is a first end elevation view of the bar clamp; and,

FIG. 7 is a second end elevation view of the bar clamp.

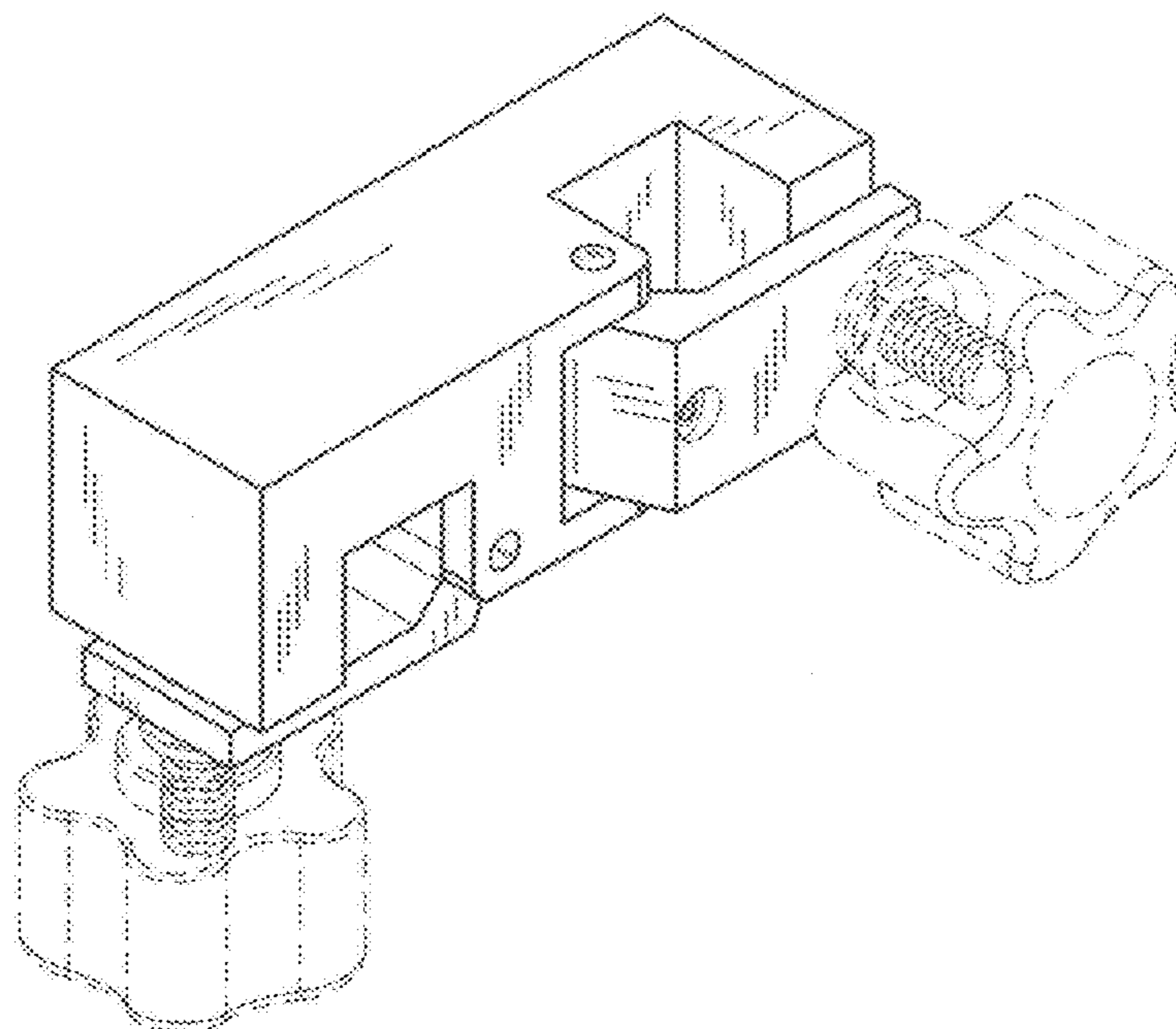
The broken lines in the drawings represent unclaimed environmental subject matter and form no part of the claims.

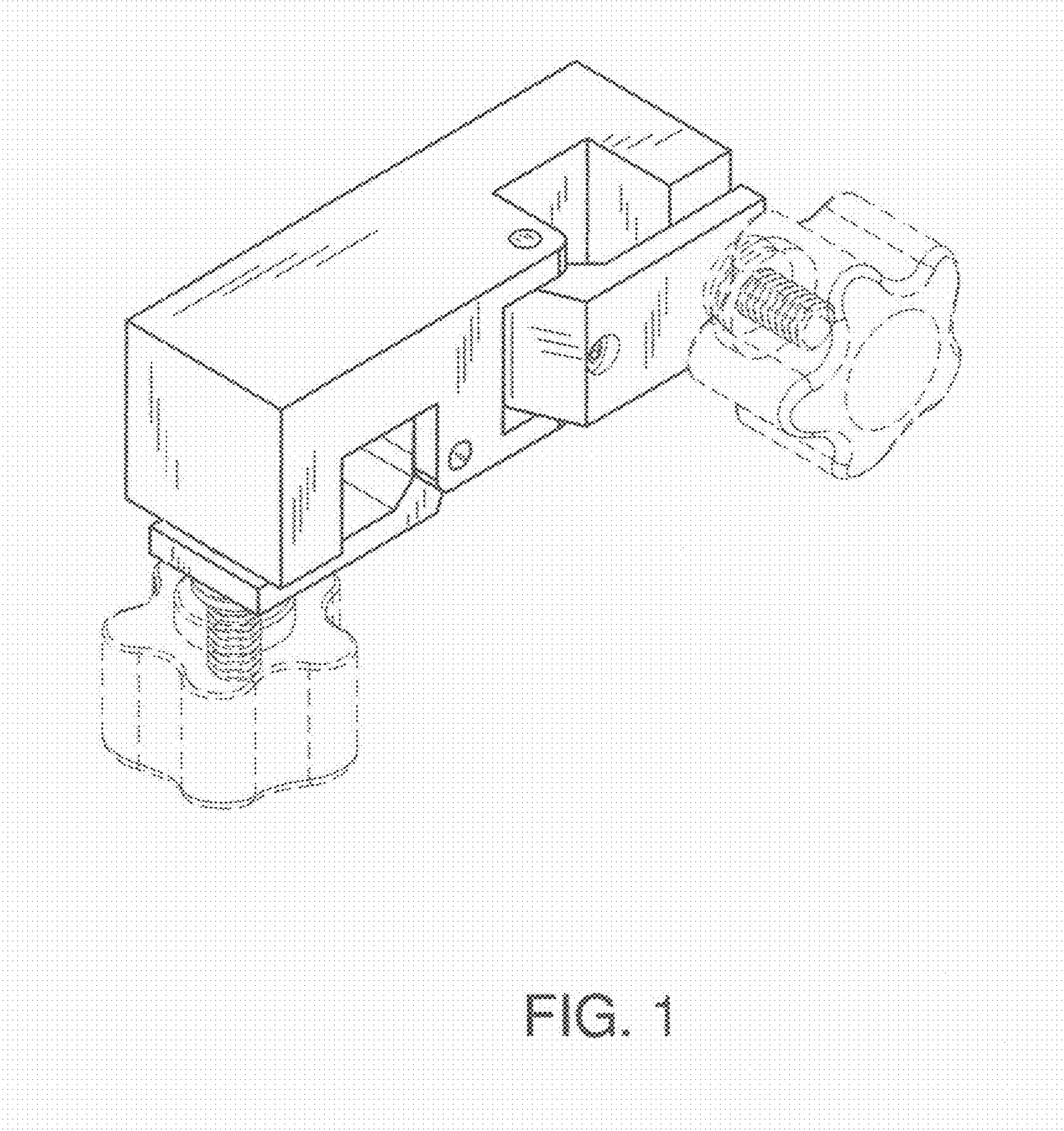
(56) **References Cited**

U.S. PATENT DOCUMENTS

- 4,483,334 A * 11/1984 Murray A61B 17/60
403/391
- D286,971 S * 12/1986 Lund D8/394
- 4,946,122 A * 8/1990 Ramsey B01L 9/50
248/229.2
- D314,503 S * 2/1991 Gilman D8/394
- D377,311 S * 1/1997 Stiegler D8/396
- 6,260,810 B1 * 7/2001 Choi F16L 3/24
248/317
- 6,565,564 B2 * 5/2003 Hoffman A61B 17/6466
606/59

1 Claim, 4 Drawing Sheets





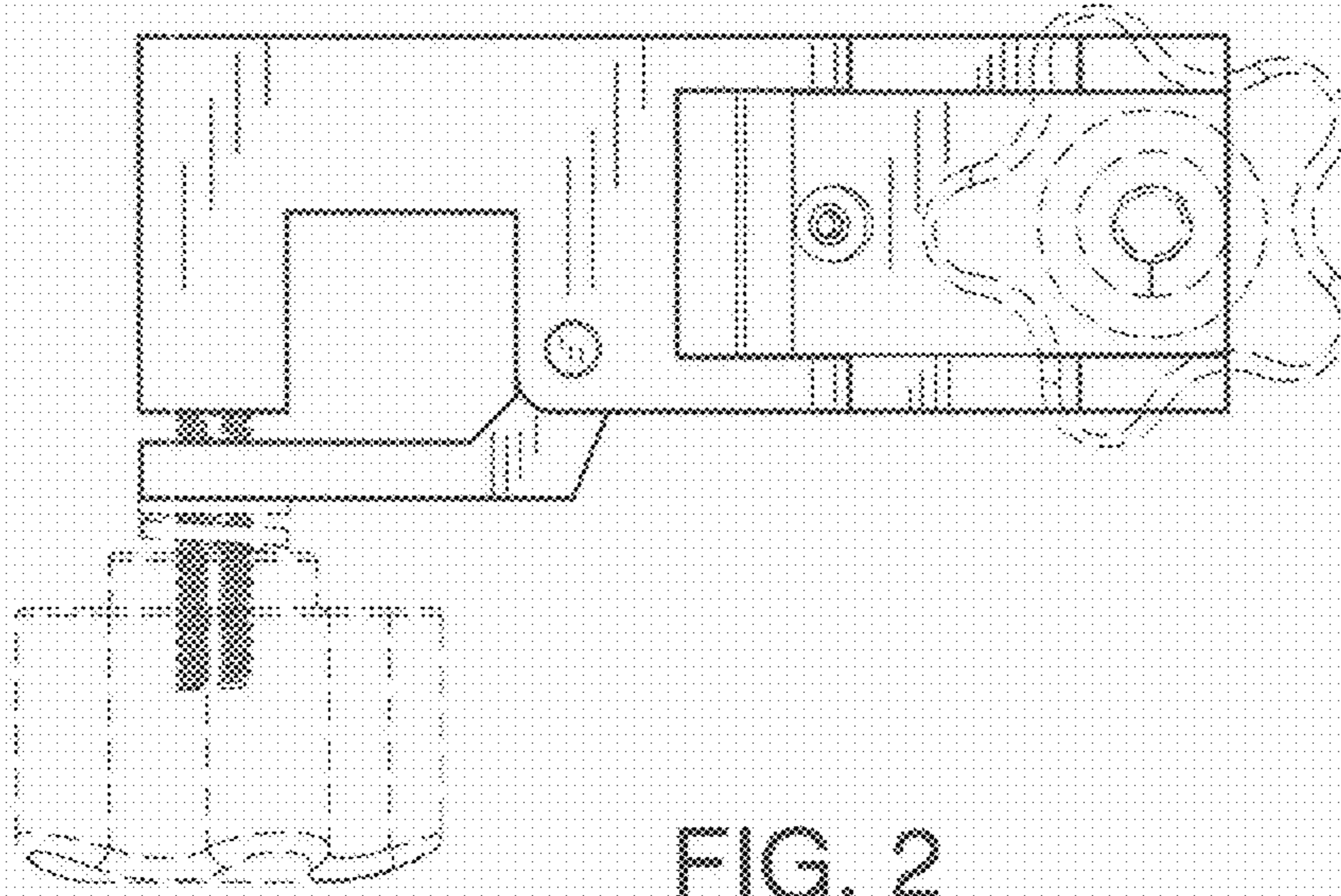


FIG. 2

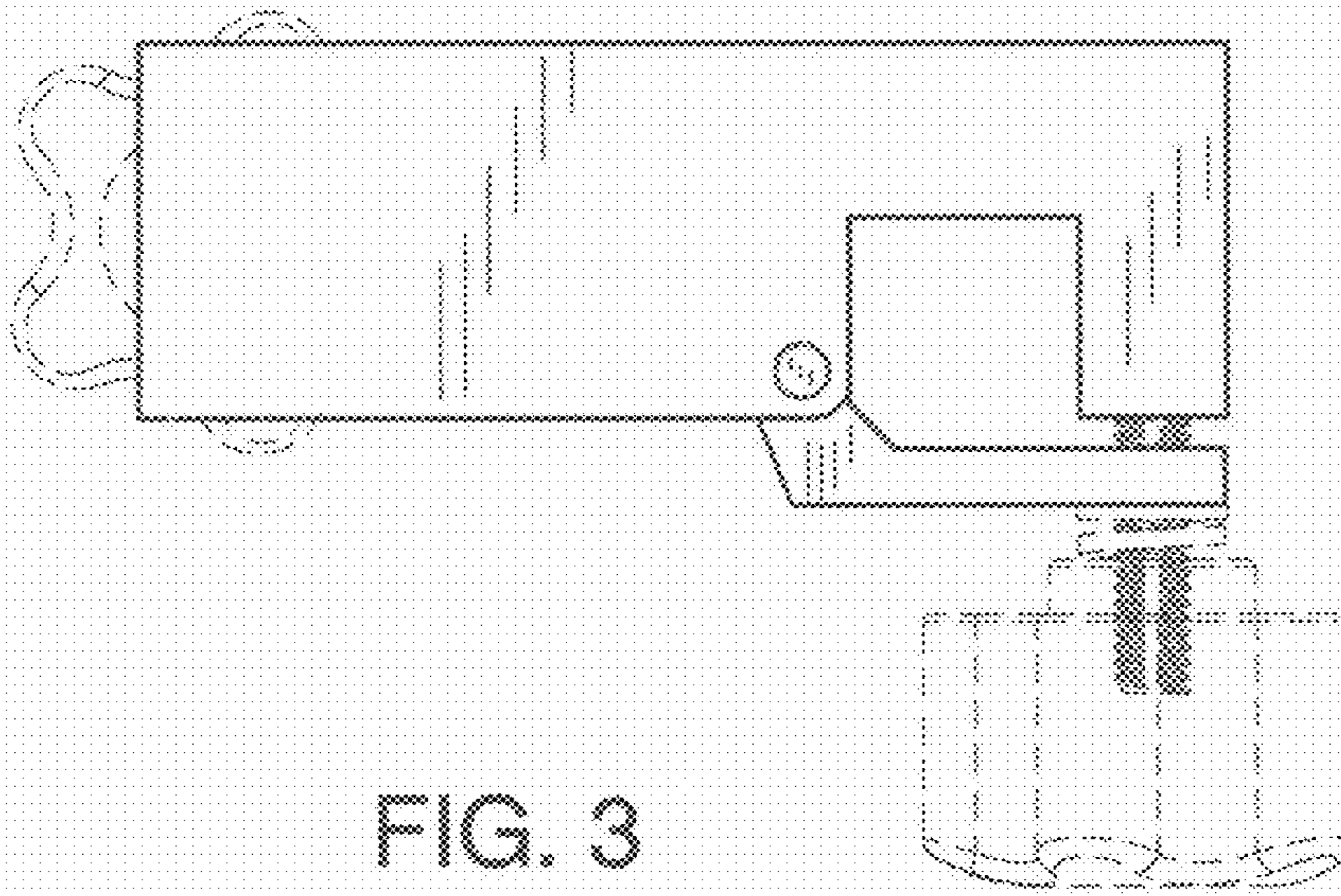
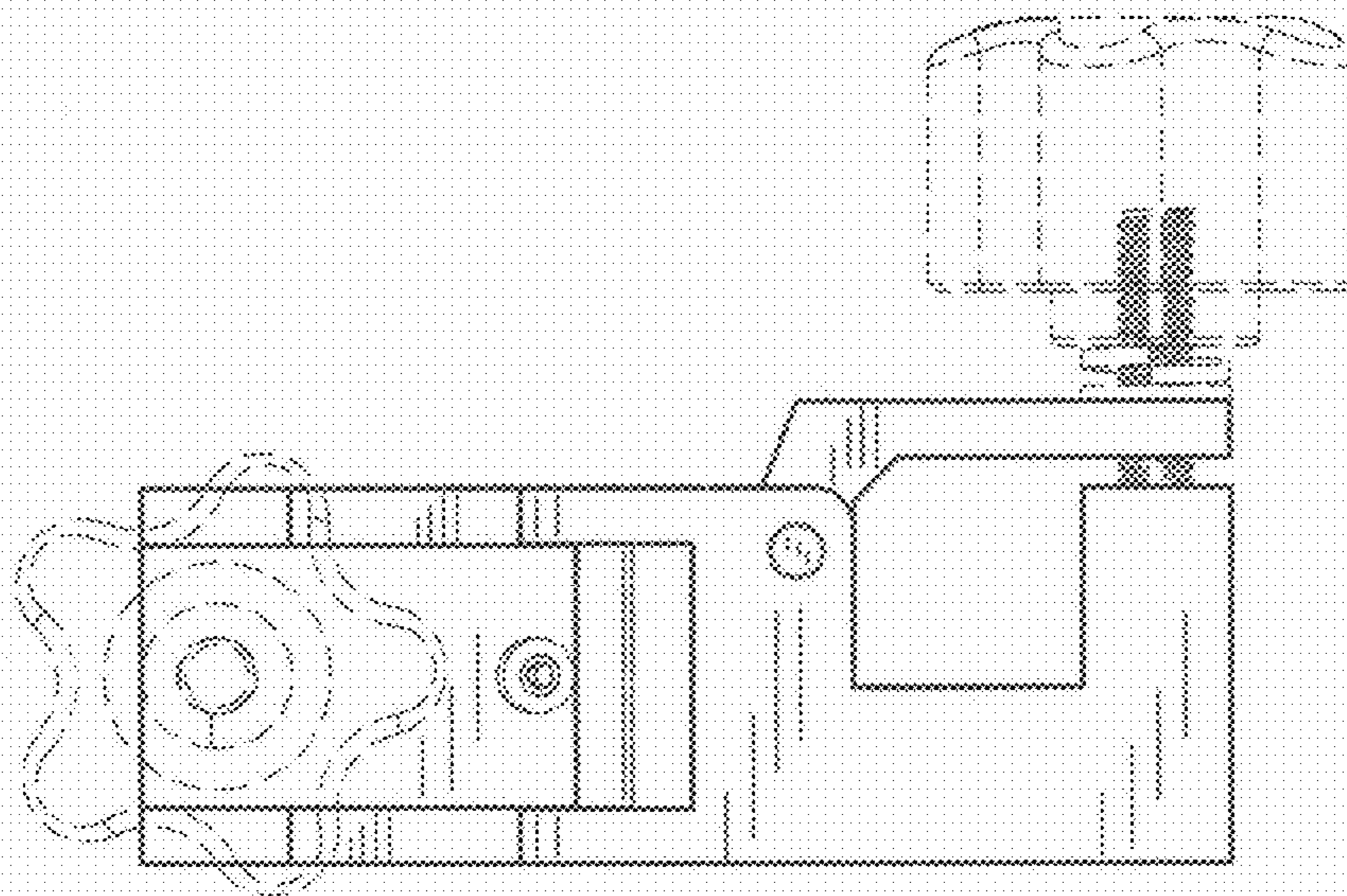
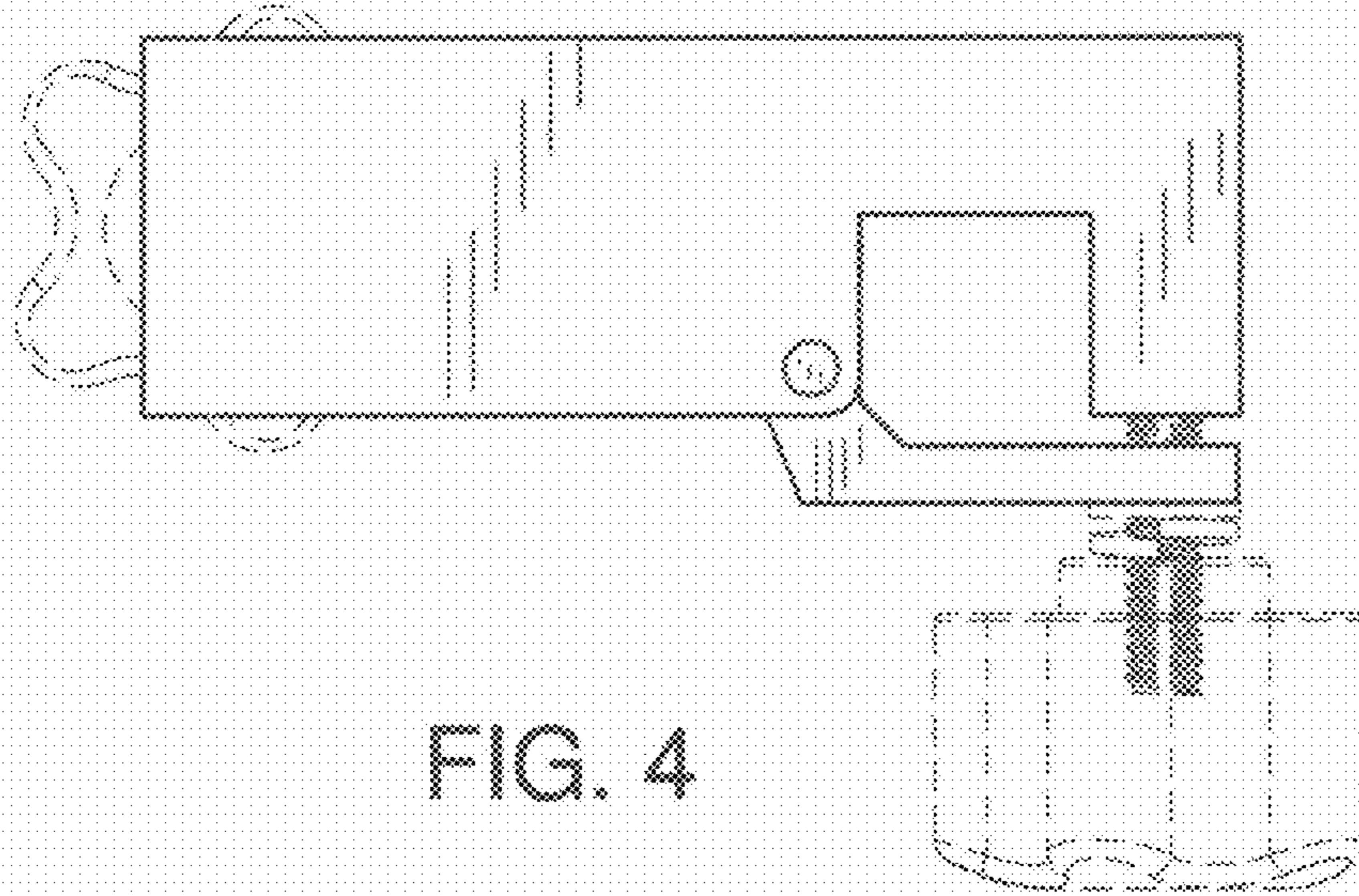


FIG. 3



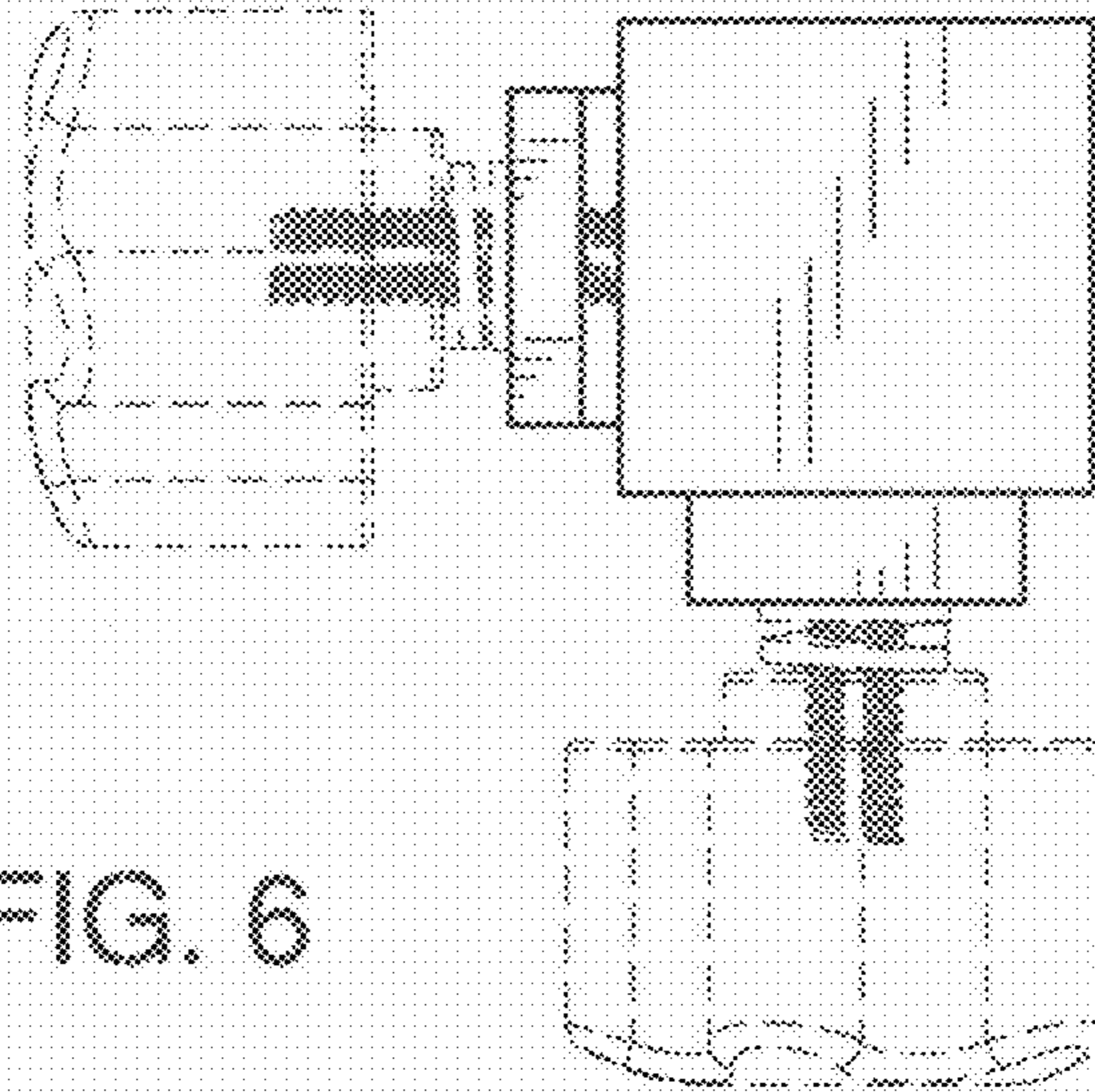


FIG. 6

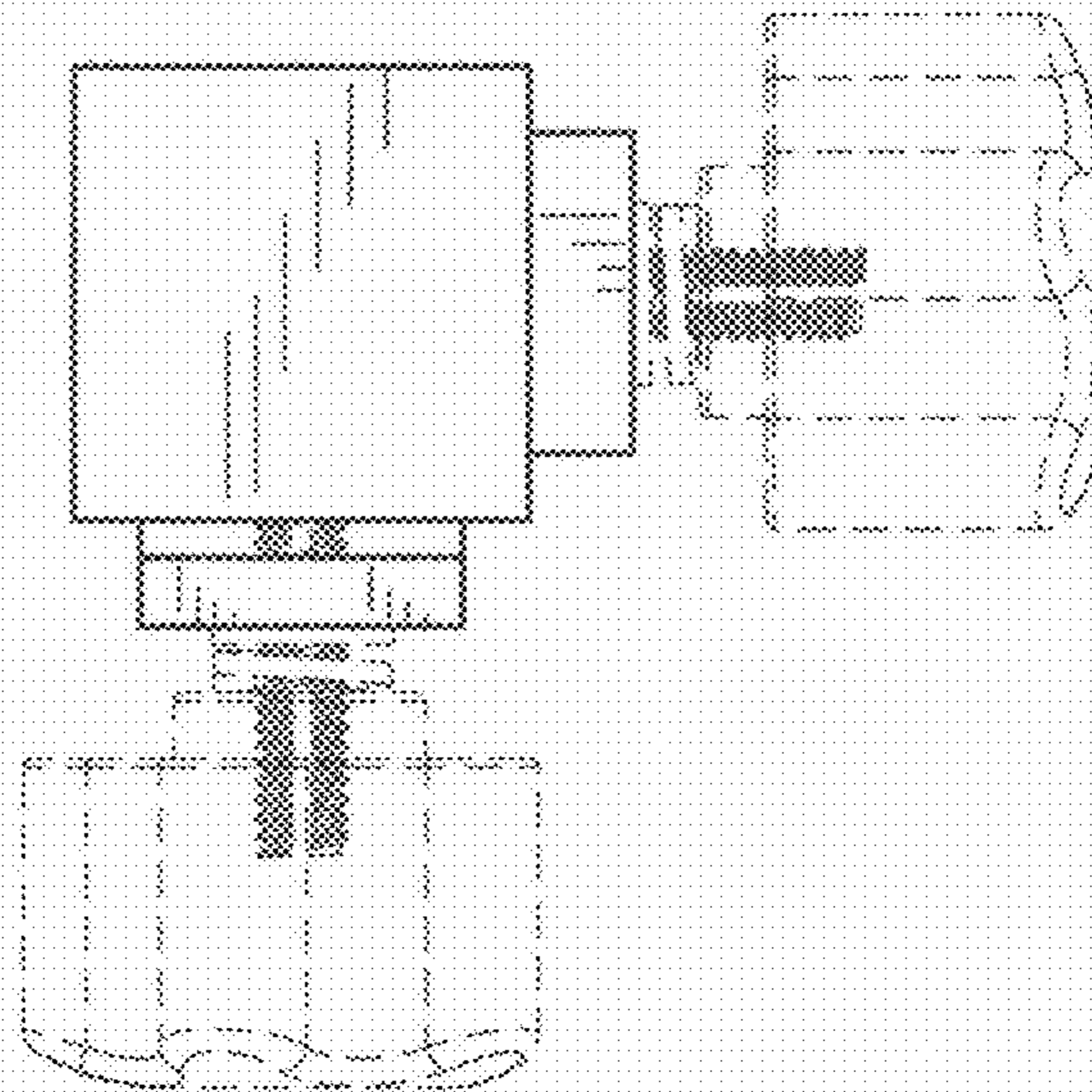


FIG. 7