



US00D762109S

(12) **United States Design Patent**
Lee et al.

(10) **Patent No.:** **US D762,109 S**
(45) **Date of Patent:** **** Jul. 26, 2016**

(54) **BRACKET FOR FIXING COMMUNICATION EQUIPMENT**

(71) Applicant: **Samsung Electronics Co., Ltd.**,
Suwon-si, Gyeonggi-do (KR)

(72) Inventors: **Eun-Uae Lee**, Seoul (KR); **Kyu-Cheol Kim**, Seoul (KR); **Gi-Chun Nam**, Suwon-si (KR); **Joon-Taek Lee**, Yongin-si (KR); **Tai-Hyung Ju**, Seoul (KR); **Dong-Ju Choi**, Suwon-si (KR)

(73) Assignee: **SAMSUNG ELECTRONICS CO., LTD.** (KR)

(**) Term: **14 Years**

(21) Appl. No.: **29/518,028**

(22) Filed: **Feb. 19, 2015**

(30) **Foreign Application Priority Data**

Aug. 22, 2014 (KR) 30-2014-0041039

(51) **LOC (10) Cl.** **08-08**

(52) **U.S. Cl.**
USPC **D8/382**

(58) **Field of Classification Search**
USPC D8/349, 354–355, 373, 380, 382–383, D8/394, 396; D13/102, 118, 149, 154, D13/155, 184, 199; D16/330, 242; D25/119, 123, 124, 125; D21/484, D21/500, 504
CPC A47G 1/00; A47G 25/00; F16L 3/00
See application file for complete search history.

(56) **References Cited**

U.S. PATENT DOCUMENTS

D266,144 S * 9/1982 Wallace D8/354
D270,572 S * 9/1983 Black D25/68

D274,691 S * 7/1984 Wallace D8/336
4,479,341 A * 10/1984 Schuplin E04B 9/127
52/506.07
D337,912 S * 8/1993 Silverberg D6/567
D342,662 S * 12/1993 Lavin, Sr. D8/354
D354,773 S * 1/1995 Koves D19/99
D362,383 S * 9/1995 Boelling D8/354
D559,083 S * 1/2008 Brassard D8/354
D571,644 S * 6/2008 Ilang D8/382
D597,827 S * 8/2009 Brassard D8/395
D617,633 S * 6/2010 VanElverdinghe D8/382
D654,936 S * 2/2012 Oetlinger D15/138
D662,406 S * 6/2012 Zhang D8/380
D678,045 S * 3/2013 Paolini D8/382
D729,042 S * 5/2015 Guzzoni D8/349
D732,380 S * 6/2015 Chou D8/383
D737,662 S * 9/2015 Kobayashi D8/354

* cited by examiner

Primary Examiner — Rosemary K Tarcza

Assistant Examiner — Nathaniel D Buckner

(74) *Attorney, Agent, or Firm* — Cantor Colburn LLP

(57) **CLAIM**

The ornamental design for a bracket for fixing communication equipment, as shown and described.

DESCRIPTION

FIG. 1 is a perspective view of a bracket for fixing communication equipment, showing our new design;
FIG. 2 is a front view thereof;
FIG. 3 is a rear view thereof;
FIG. 4 is a side view thereof;
FIG. 5 is another side view thereof;
FIG. 6 is a top view thereof;
FIG. 7 is a bottom view thereof; and,
FIG. 8 is another perspective view thereof in an environment of use.

The broken lines in the figures represent environmental subject matter and portions of the article which form no part of the claim.

1 Claim, 5 Drawing Sheets

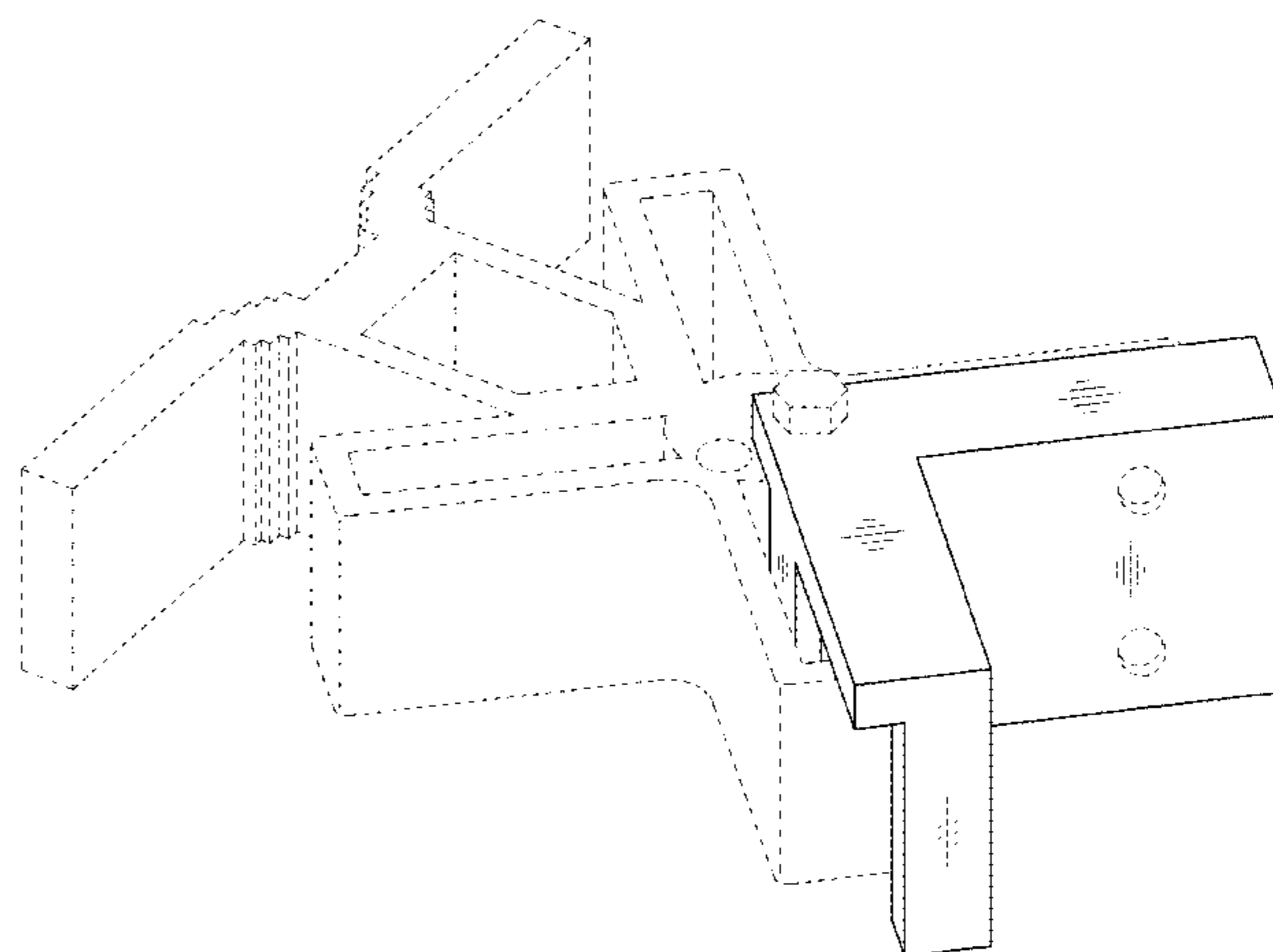
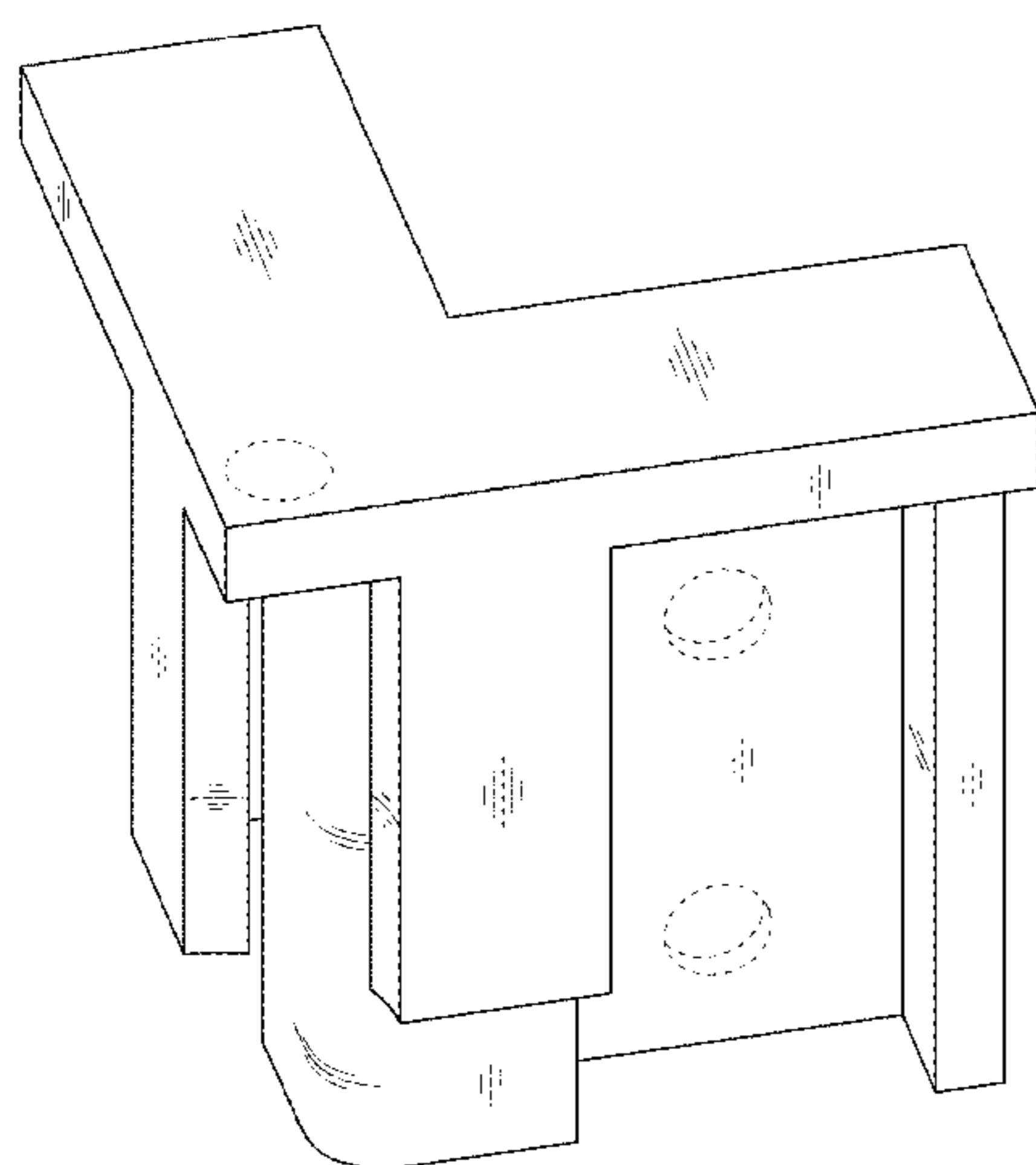


FIG. 1

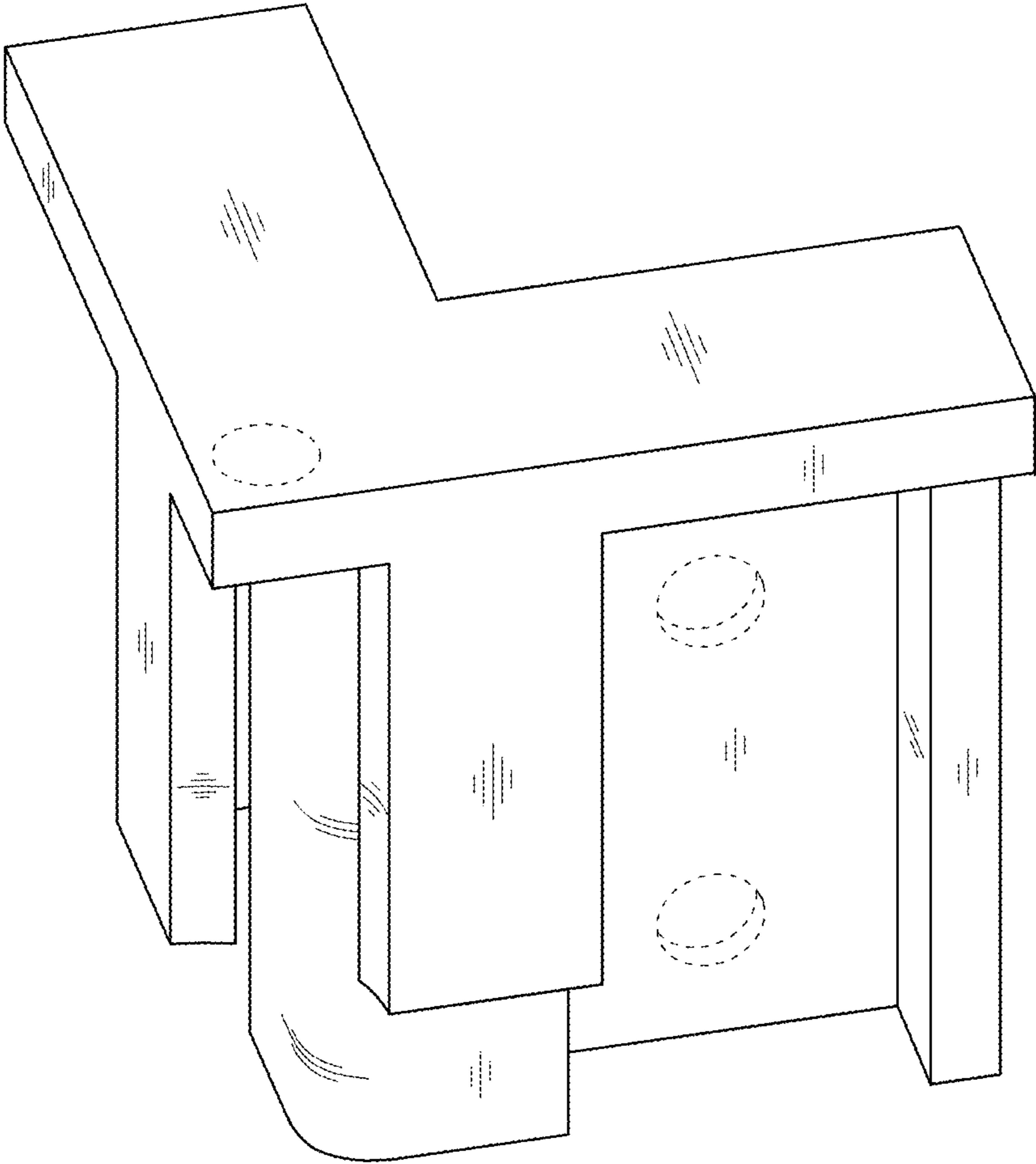


FIG.2

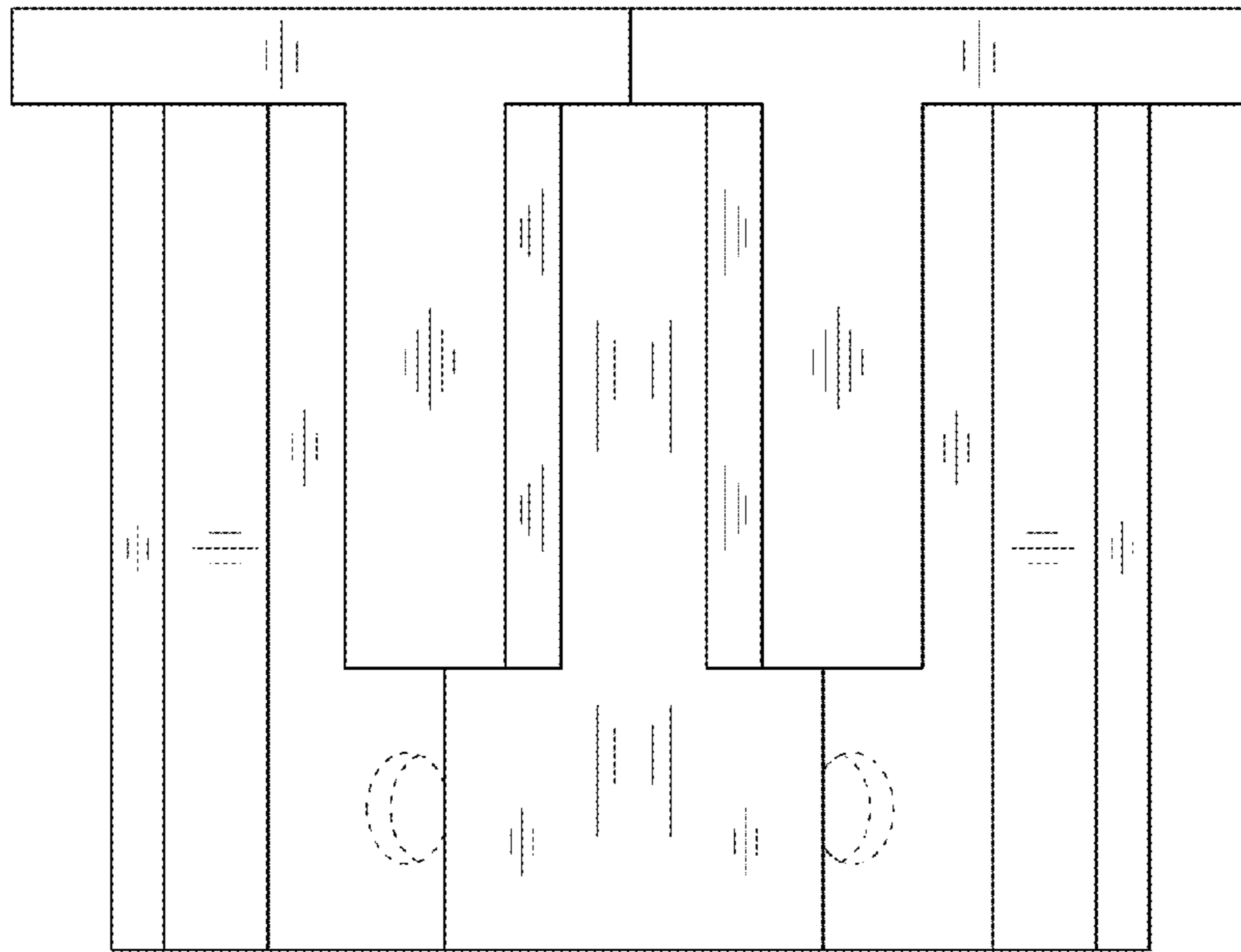


FIG.3

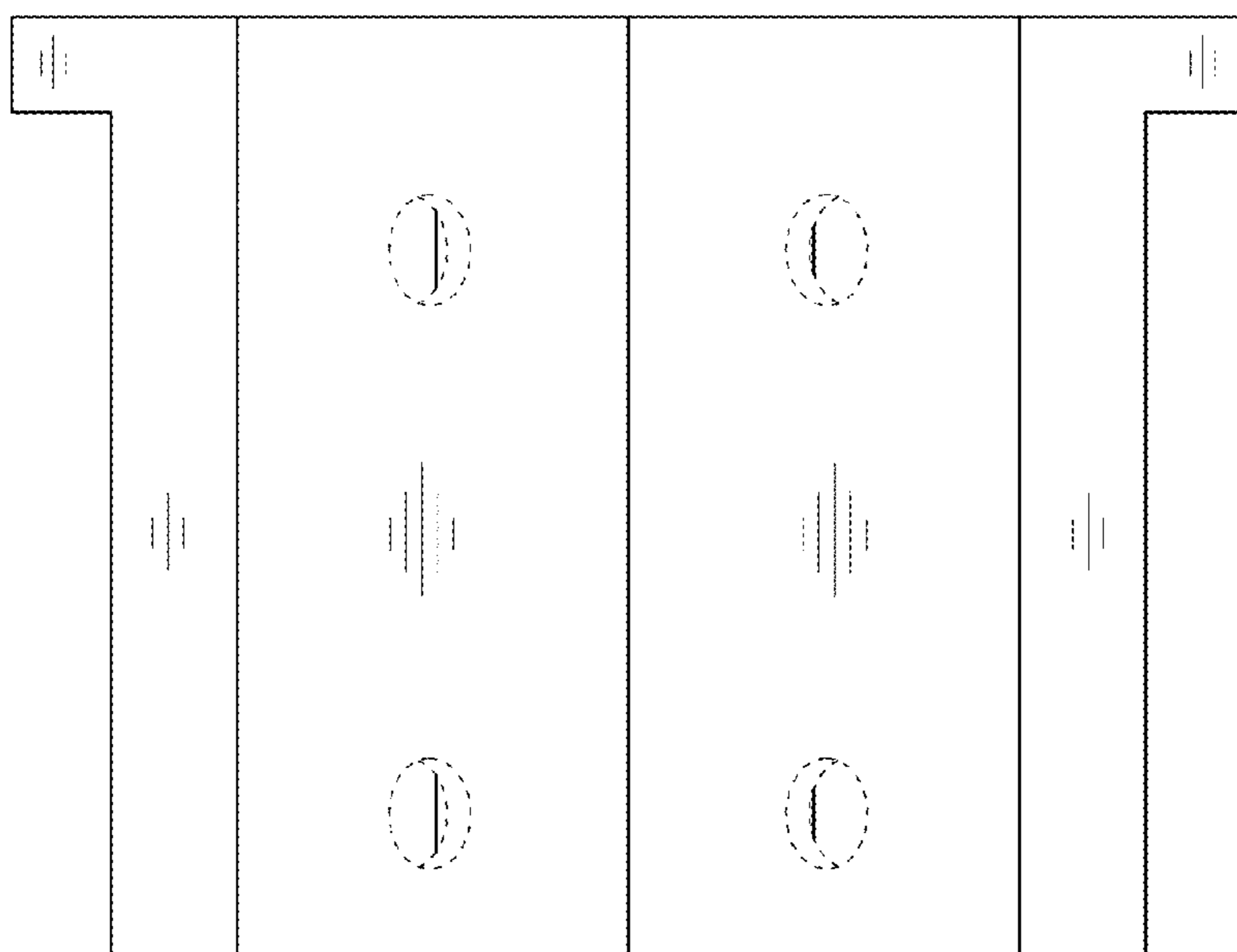


FIG. 4

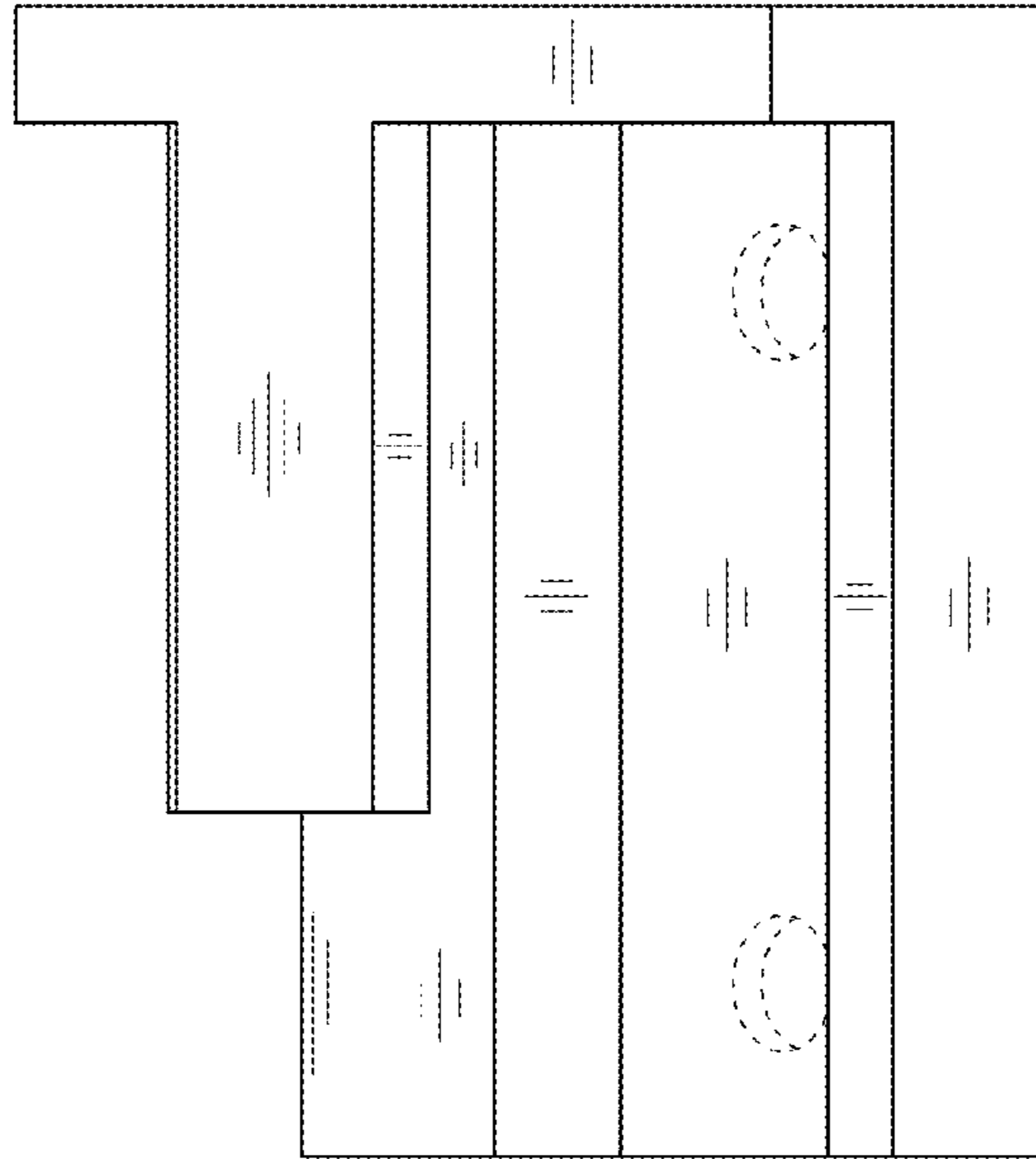


FIG. 5

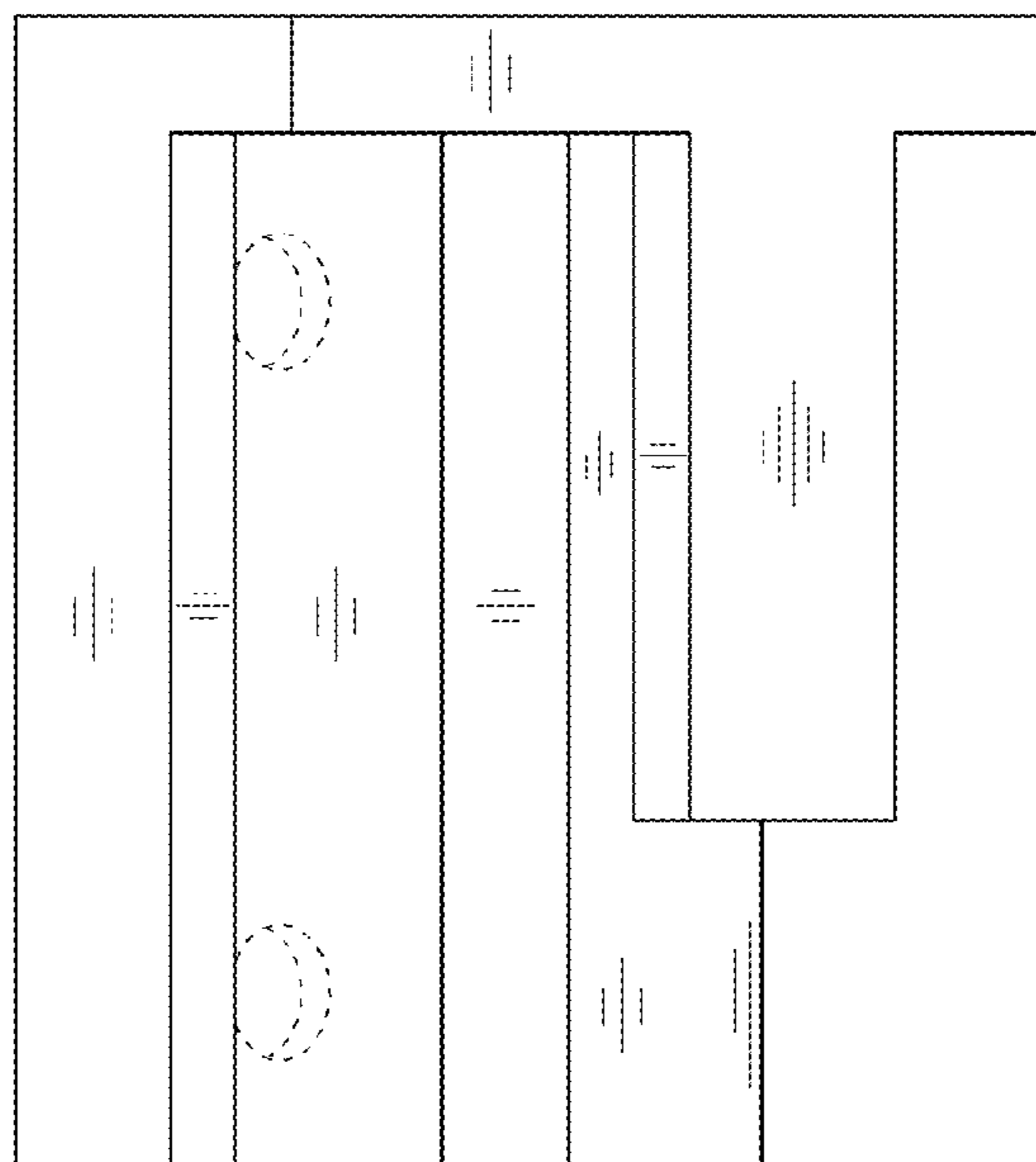


FIG. 6

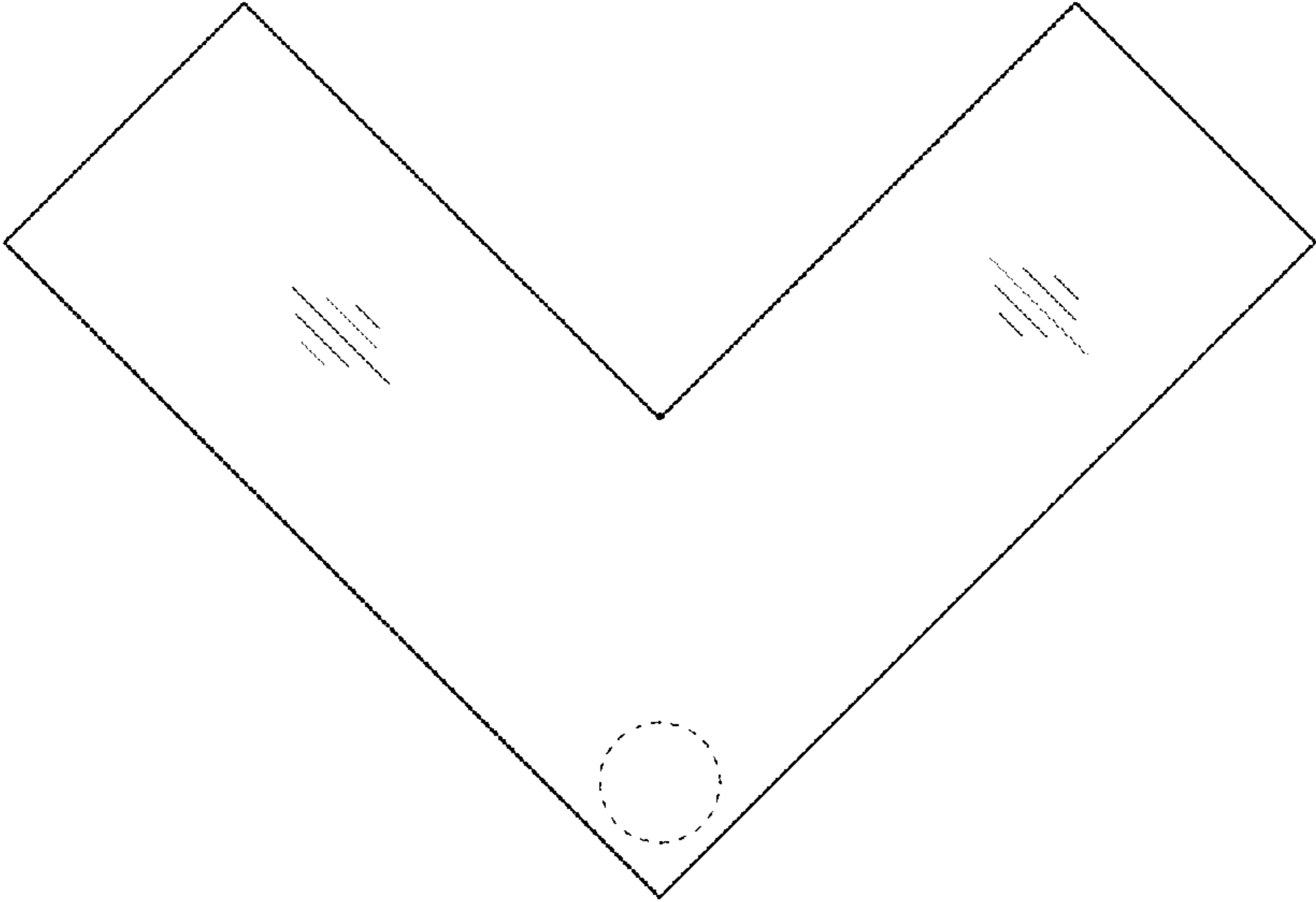


FIG. 7

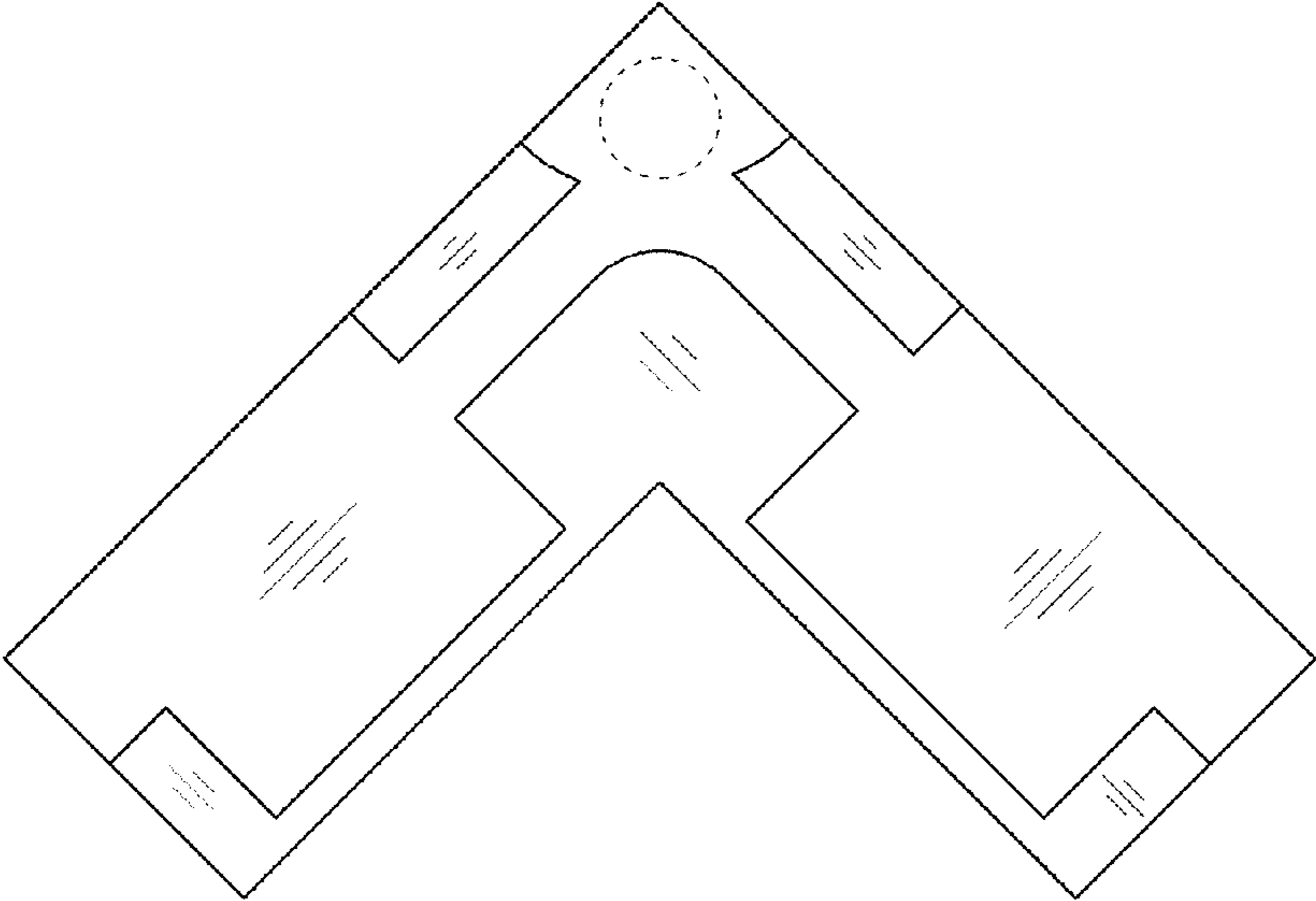


FIG. 8

