



US00D762108S

(12) **United States Design Patent**
Knight et al.

(10) **Patent No.:** **US D762,108 S**

(45) **Date of Patent:** **** Jul. 26, 2016**

(54) **HOOK MOUNT**

(56) **References Cited**

(71) Applicant: **Home Depot Product Authority, LLC,**
Atlanta, GA (US)

U.S. PATENT DOCUMENTS

(72) Inventors: **Erica Knight,** Chamblee, GA (US);
Michael Nelson, Peachtree City, GA
(US)

D507,961 S *	8/2005	Goodman	D6/323
D611,329 S *	3/2010	Barrese	D8/367
D614,478 S *	4/2010	Barrese	D8/367
D630,089 S *	1/2011	Kim	D8/367
D654,783 S *	2/2012	Warren	D8/367
D707,537 S *	6/2014	Schraufnagel	D8/367
D715,133 S *	10/2014	Pan	D8/367
D715,625 S *	10/2014	Pan	D8/367
D734,133 S *	7/2015	Spindler	D8/367

(73) Assignee: **Home Depot Product Authority, LLC,**
Atlanta, GA (US)

* cited by examiner

(**) Term: **14 Years**

Primary Examiner — Robert M Spear

(21) Appl. No.: **29/519,537**

Assistant Examiner — Eliza Bennett-Hattan

(22) Filed: **Mar. 5, 2015**

(74) *Attorney, Agent, or Firm* — Greenberg Traurig, LLP

(51) **LOC (10) Cl.** **08-05**

(57) **CLAIM**

(52) **U.S. Cl.**

The ornamental design for a hook mount, as shown and described.

USPC **D8/372**

DESCRIPTION

(58) **Field of Classification Search**

USPC D8/16, 19, 349, 354, 355, 363, 364,
D8/367, 370–373, 376, 382, 384–386,
D8/389; D6/323, 550, 558, 565, 556, 514,
D6/705.6, 546, 535, 566, 553, 525, 677.2,
D6/677.5, 675.2, 675.5; D11/208; D26/87;
D23/223, 238, 252, 257, 259; D20/15

FIG. 1 is a perspective view of our design;

FIG. 2 is a front view thereof;

FIG. 3 is a left side view thereof;

FIG. 4 is a right side view thereof;

FIG. 5 is a top view thereof; and,

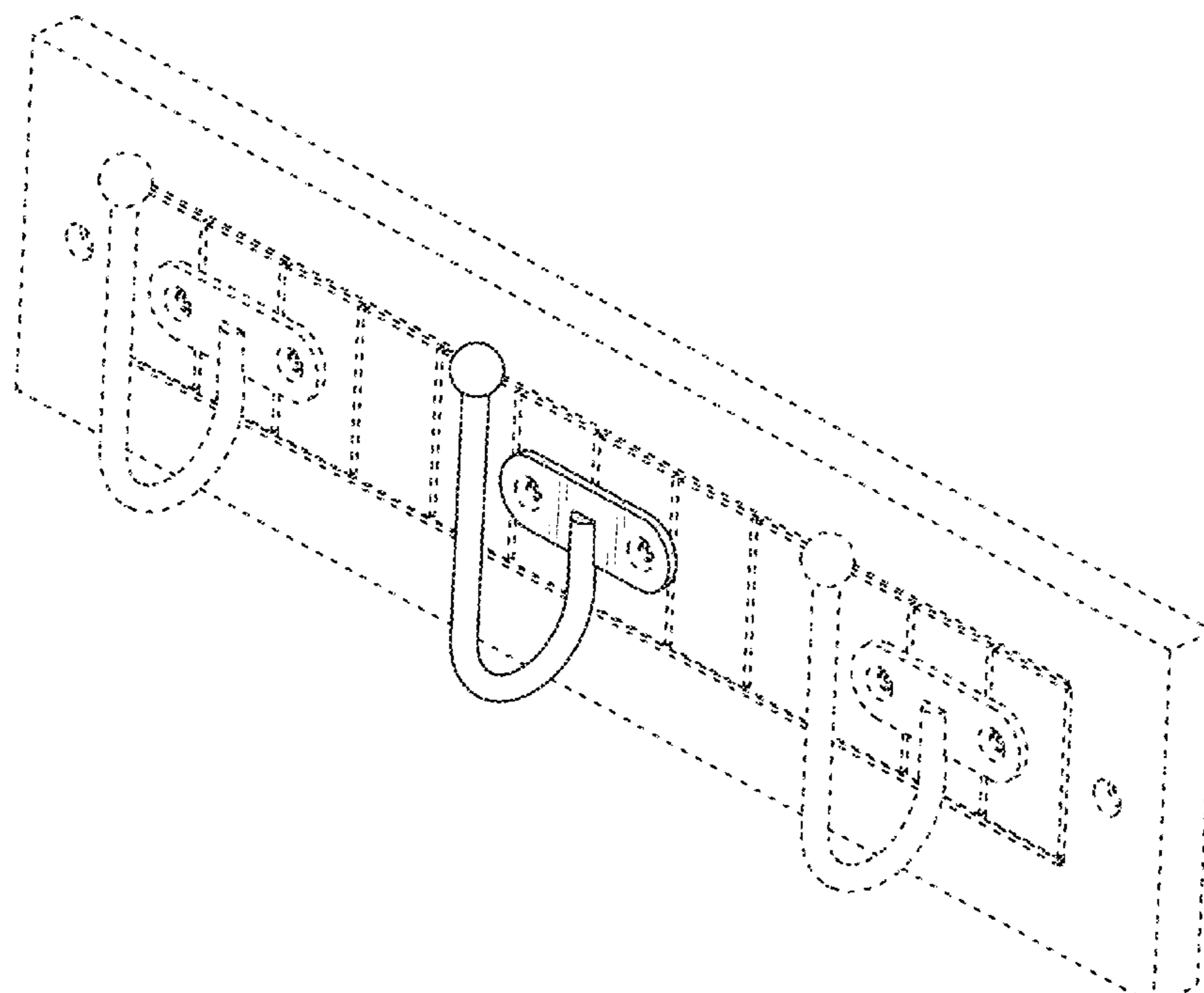
FIG. 6 is a bottom view thereof.

CPC A47K 1/09; A47K 2201/02; A47K 10/04;
A47K 17/00; A47K 2010/3253; A47K 10/10;
A47K 5/00; A47H 1/102; Y10S 242/90;
Y10T 225/232; Y10T 225/247; Y10T 24/1696

The dashed lines in the figures represent environmental structure that forms no part of the claimed design. All other surface (s) or portion(s) of our hook mount not shown in the figures or otherwise described in the specification, including the back view thereof, form no part of the claimed design.

See application file for complete search history.

1 Claim, 5 Drawing Sheets



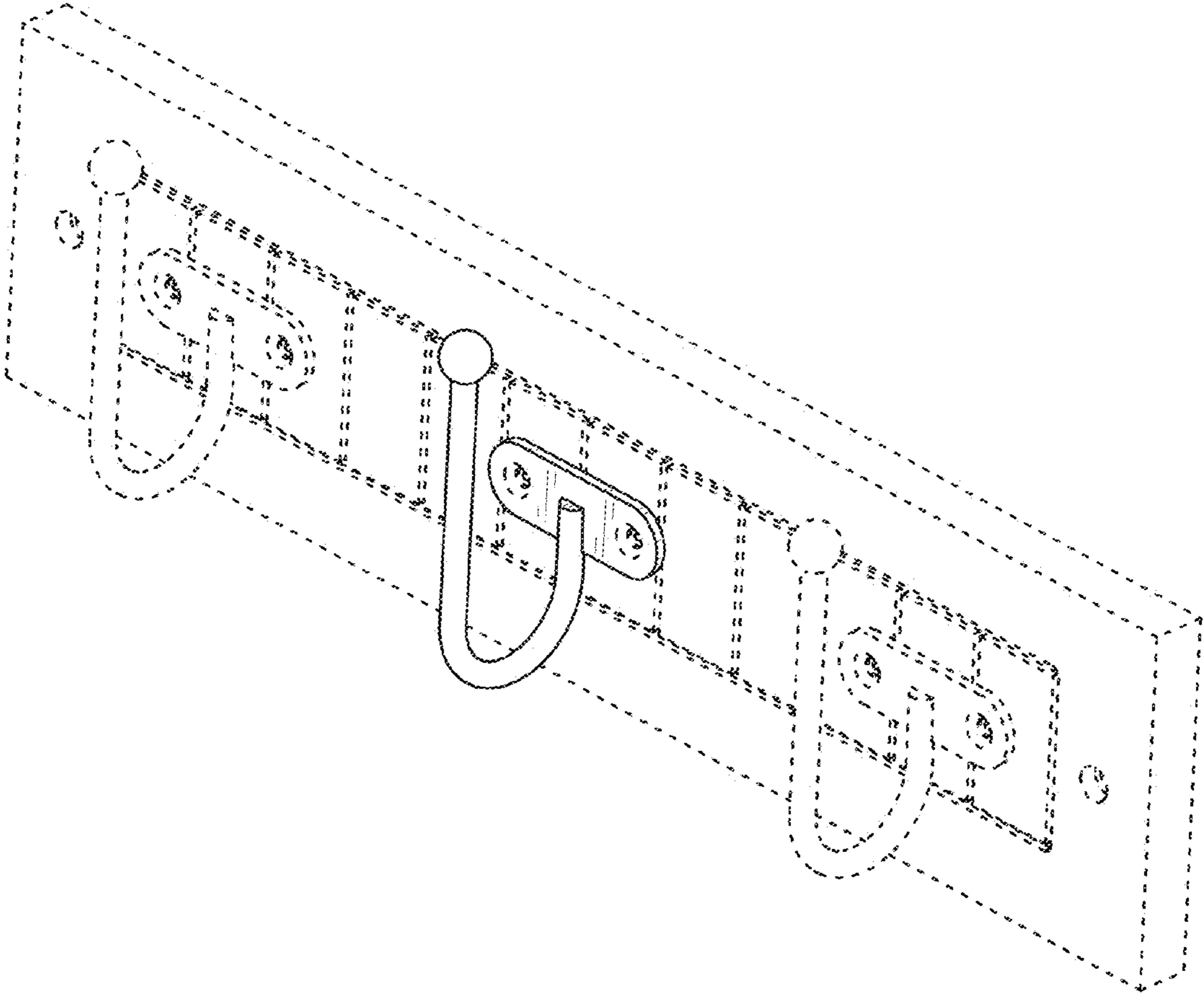


FIG. 1

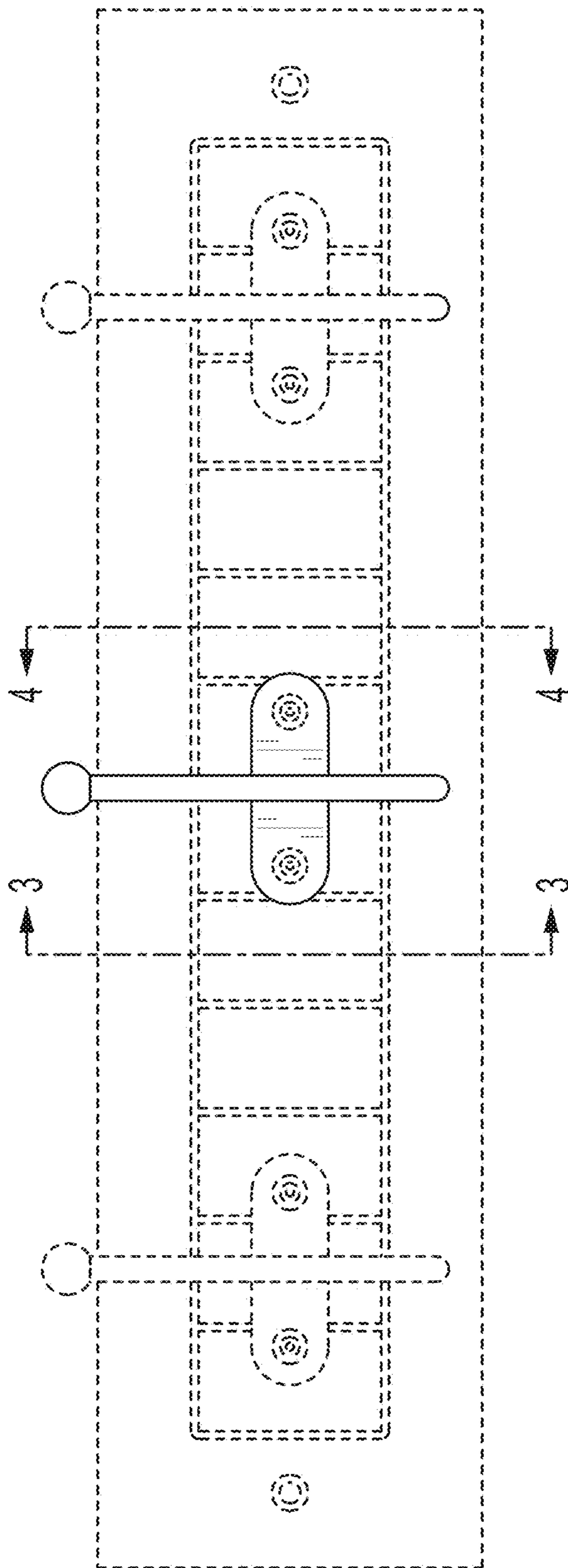


FIG. 2

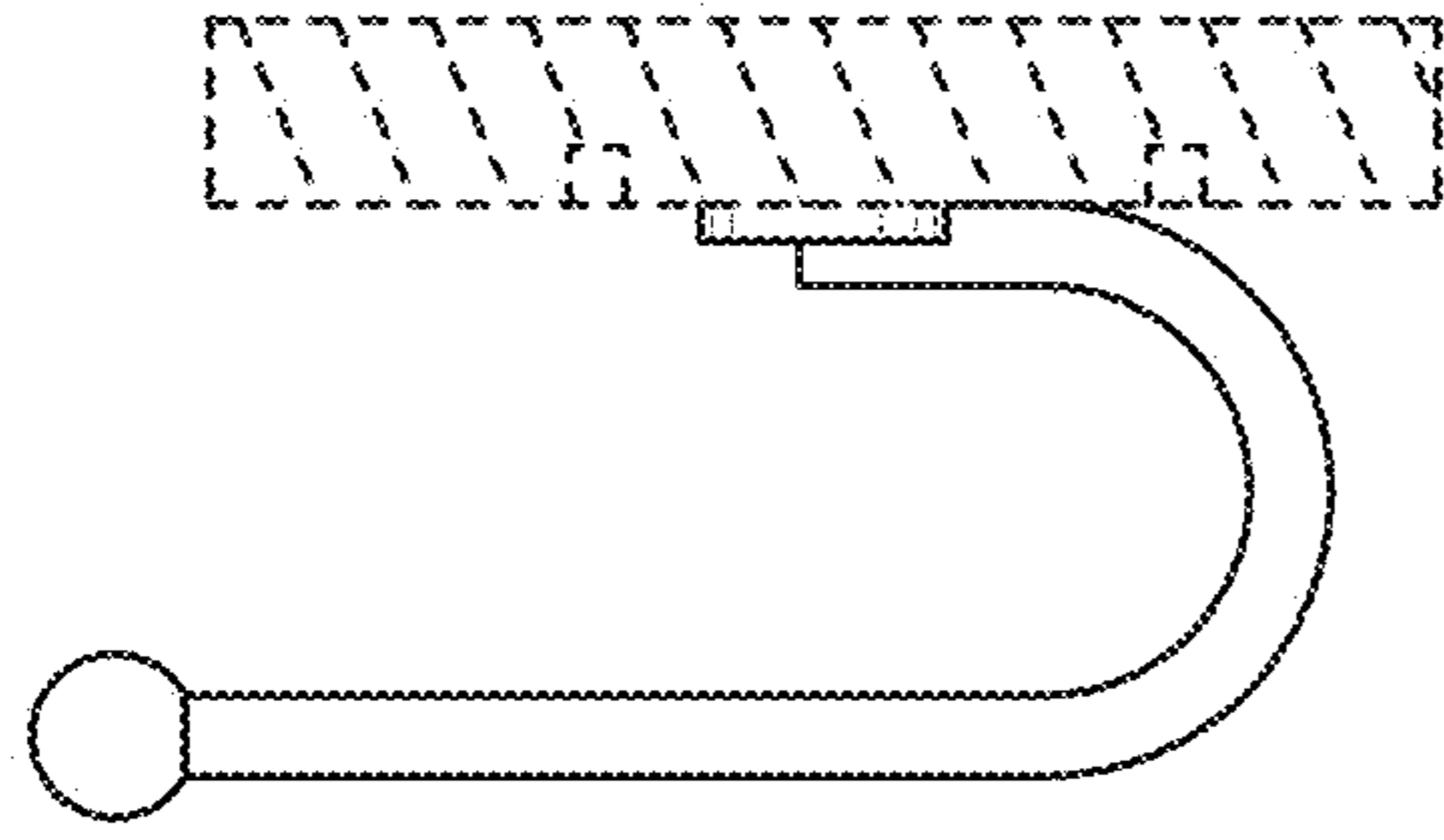


FIG. 3

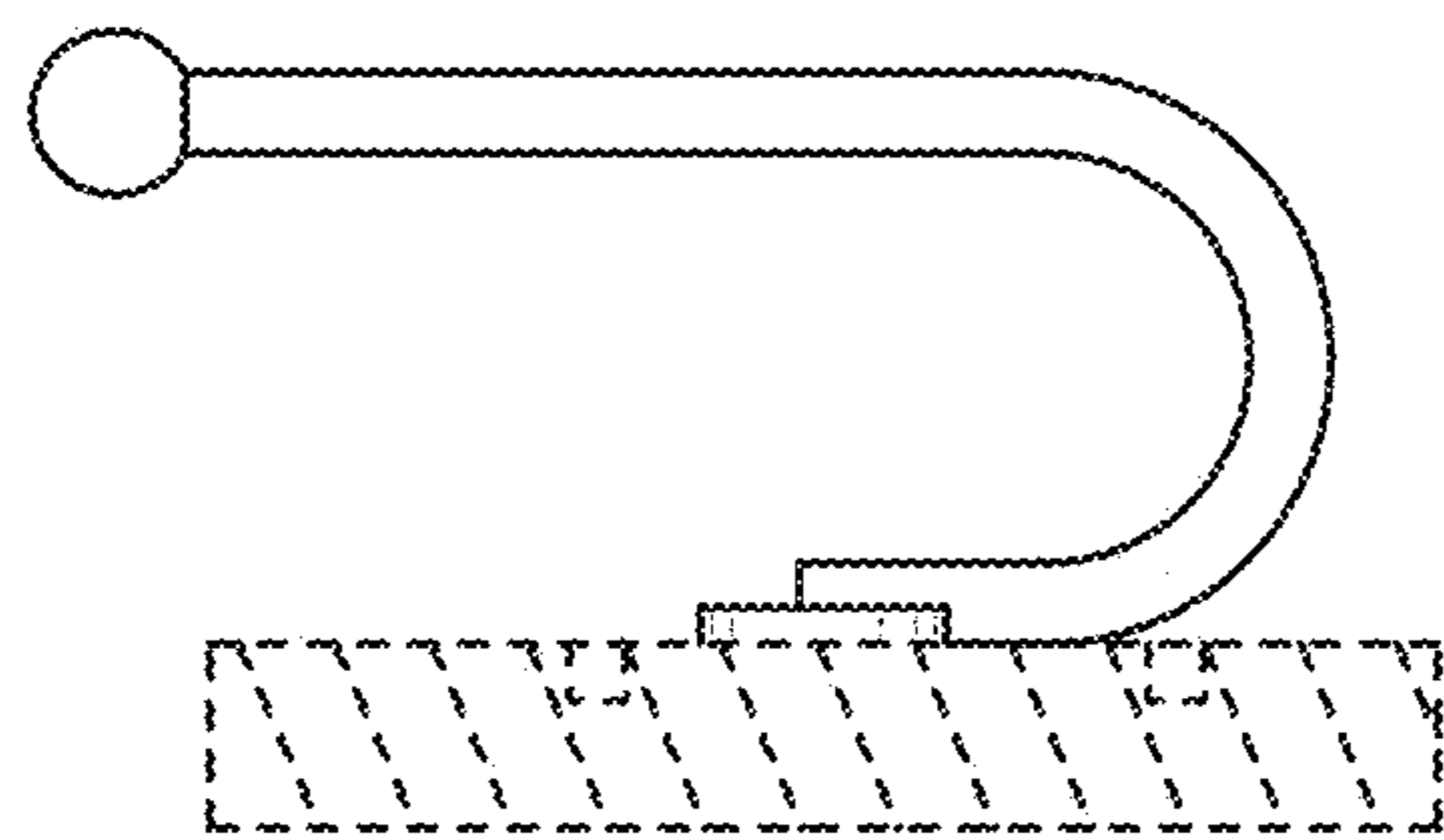


FIG. 4

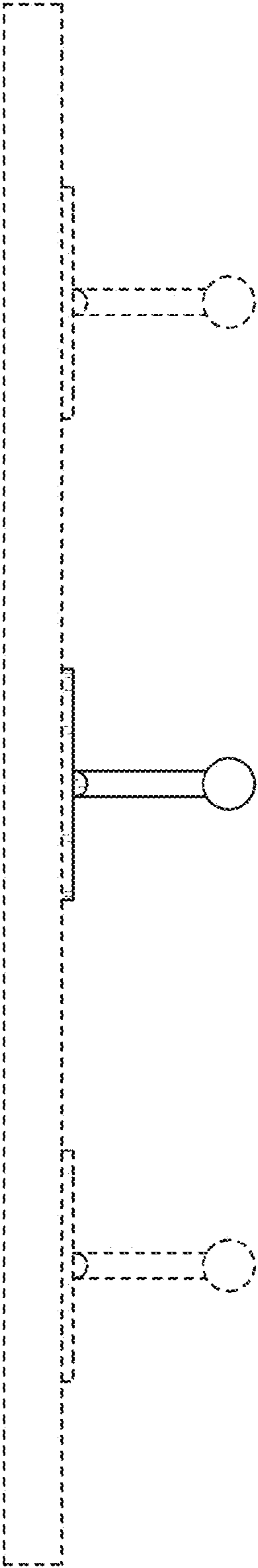


FIG. 5

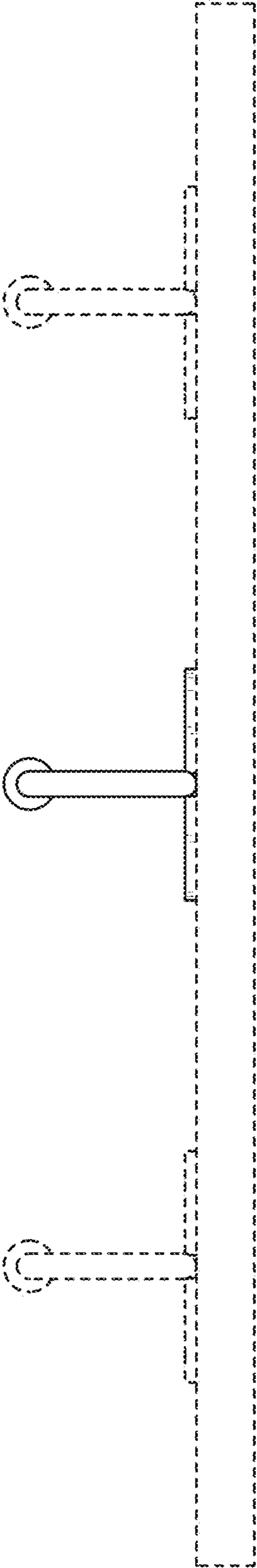


FIG. 6