

US00D762106S

(12) **United States Design Patent**
Lo et al.

(10) **Patent No.:** **US D762,106 S**
(45) **Date of Patent:** **** Jul. 26, 2016**

- (54) **STRINGER CLIP**
- (71) Applicants: **LISI AEROSPACE**, Paris (FR); **THE MONADNOCK COMPANY**, City of Industry, CA (US)
- (72) Inventors: **Justin Lo**, Irvine, CA (US); **David Koenig**, Anaheim, CA (US)
- (73) Assignees: **The Monadnock Company**, City of Industry, CA (US); **LISI Aerospace**, Paris (FR)
- (**) Term: **15 Years**
- (21) Appl. No.: **29/528,529**
- (22) Filed: **May 29, 2015**
- (51) **LOC (10) Cl.** **08-08**
- (52) **U.S. Cl.**
USPC **D8/349**
- (58) **Field of Classification Search**
USPC D8/105, 356, 394, 395, 349, 396, 373, D8/380, 371, 366, 354; D12/51, 223
CPC . A41B 3/08; F16H 2057/02043; F16H 57/02; B25B 5/10; B25B 5/08; H02G 3/32; B64C 1/12; B64C 1/406
See application file for complete search history.

| | | | | | |
|-----------|------|---------|----------|-------|-------------------------|
| 6,766,984 | B1 * | 7/2004 | Ochoa | | B64C 1/12 244/119 |
| D523,329 | S * | 6/2006 | Klippel | | D8/394 |
| D532,291 | S * | 11/2006 | Geers | | D8/394 |
| D584,603 | S * | 1/2009 | Reed | | D8/395 |
| D600,543 | S * | 9/2009 | Coles | | D8/395 |
| 7,735,780 | B2 * | 6/2010 | Coles | | H02G 3/32 244/132 |
| 7,740,306 | B2 * | 6/2010 | Ochoa | | B62D 33/04 296/186.1 |
| 7,823,853 | B2 * | 11/2010 | Larson | | F16B 45/00 24/370 |
| D632,554 | S * | 2/2011 | Grzyb | | D8/395 |
| D638,773 | S * | 5/2011 | Laverack | | D12/223 |
| 8,480,030 | B2 * | 7/2013 | Stephan | | B64C 1/12 244/117 R |

(Continued)

Primary Examiner — Mark Goodwin

(74) *Attorney, Agent, or Firm* — Henricks, Slavin & Holmes LLC

(57) **CLAIM**

The ornamental design for a stringer clip, as shown and described.

DESCRIPTION

FIG. 1 is an upper right front isometric view of a stringer clip assembly with a stringer clip according to the present invention.

FIG. 2 is a right side elevation view of the stringer clip assembly of FIG. 1 in a typical orientation.

FIG. 3 is a back top right isometric view of the stringer clip of FIG. 1.

FIG. 4 is a back elevation view of the stringer clip of FIG. 1.

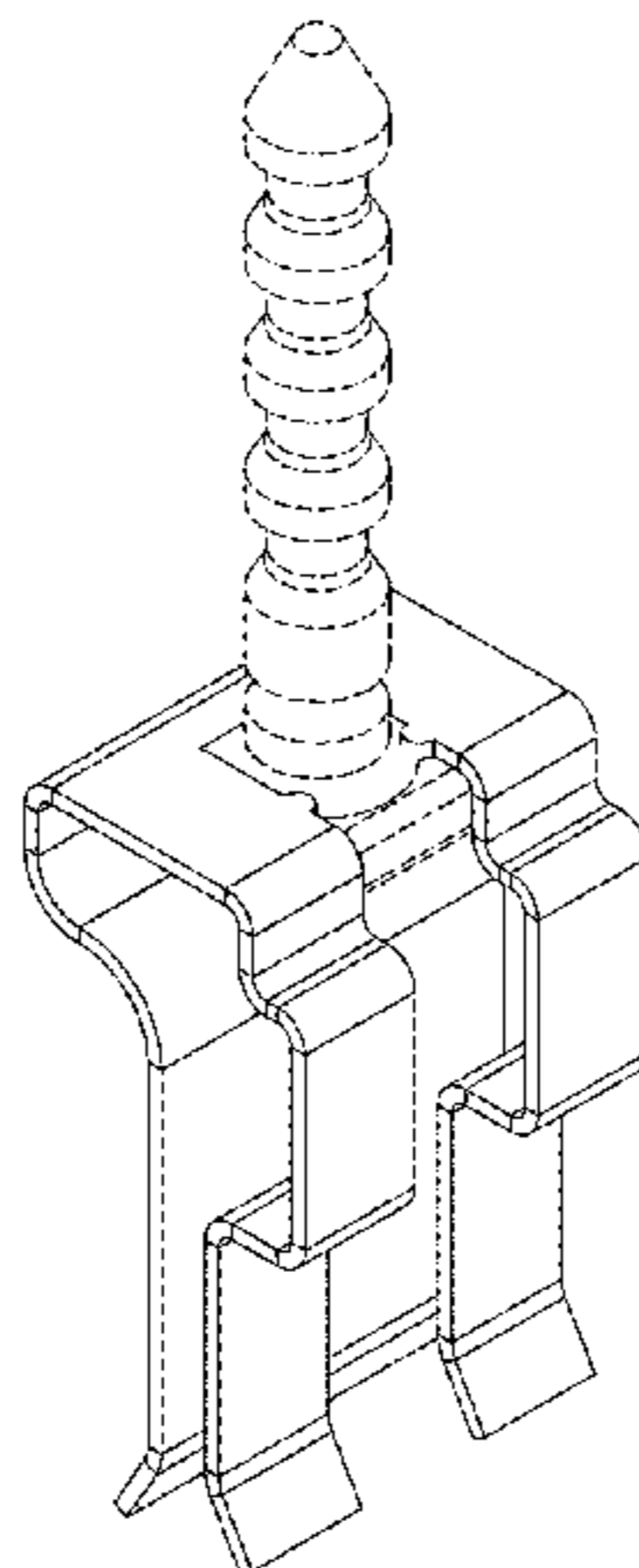
FIG. 5 is a front elevation view of the stringer clip of FIG. 1.

FIG. 6 is a left side elevation view of the stringer clip of FIG. 1, the right side of the stringer clip being a mirror image thereof.

FIG. 7 is a top plan view of the stringer clip of FIG. 1; and, FIG. 8 is a bottom plan view of the stringer clip of FIG. 1.

The broken line showing of a fastener stud is for the purpose of illustrating a related assembly and forms no part of the claimed design.

1 Claim, 5 Drawing Sheets



(56)

References Cited

U.S. PATENT DOCUMENTS

| | | | | | |
|--------------|------|---------|-----------------|-------|--------------------------|
| D690,583 | S * | 10/2013 | Sendra-Gonzalez | | D8/394 |
| D691,463 | S * | 10/2013 | Sendra-Gonzalez | | D8/394 |
| 8,622,347 | B2 * | 1/2014 | Oyzerskiy | | B64C 1/403 138/107 |
| D699,097 | S * | 2/2014 | Chung | | D8/354 |
| 8,733,027 | B1 * | 5/2014 | Marston | | F24J 2/5249 24/525 |
| D732,382 | S * | 6/2015 | Zalanca | | D8/394 |
| D737,116 | S * | 8/2015 | Lussier | | D8/349 |
| D739,221 | S * | 9/2015 | Sendra-Gonzalez | | D8/349 |
| 9,175,881 | B2 * | 11/2015 | Schrock | | F16B 9/023 |
| 2009/0159745 | A1 * | 6/2009 | Coles | | H02G 3/32 244/119 |
| 2009/0242715 | A1 * | 10/2009 | Kosidlo | | F16B 2/243 248/231.81 |

* cited by examiner

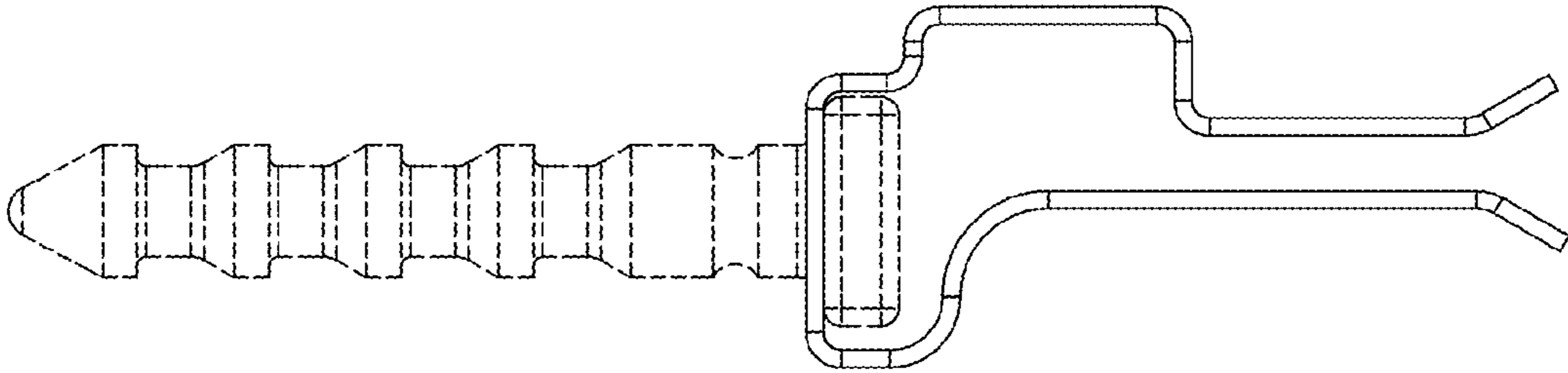


FIG. 2

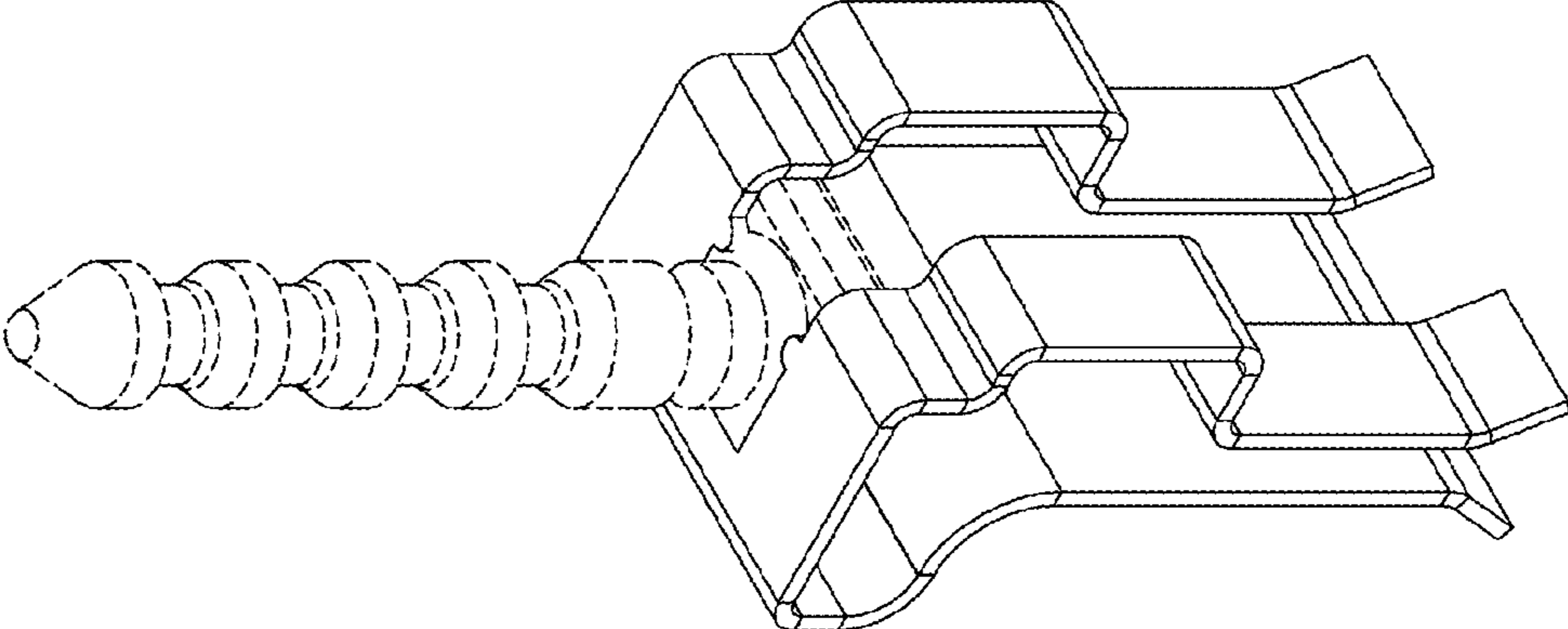


FIG. 1

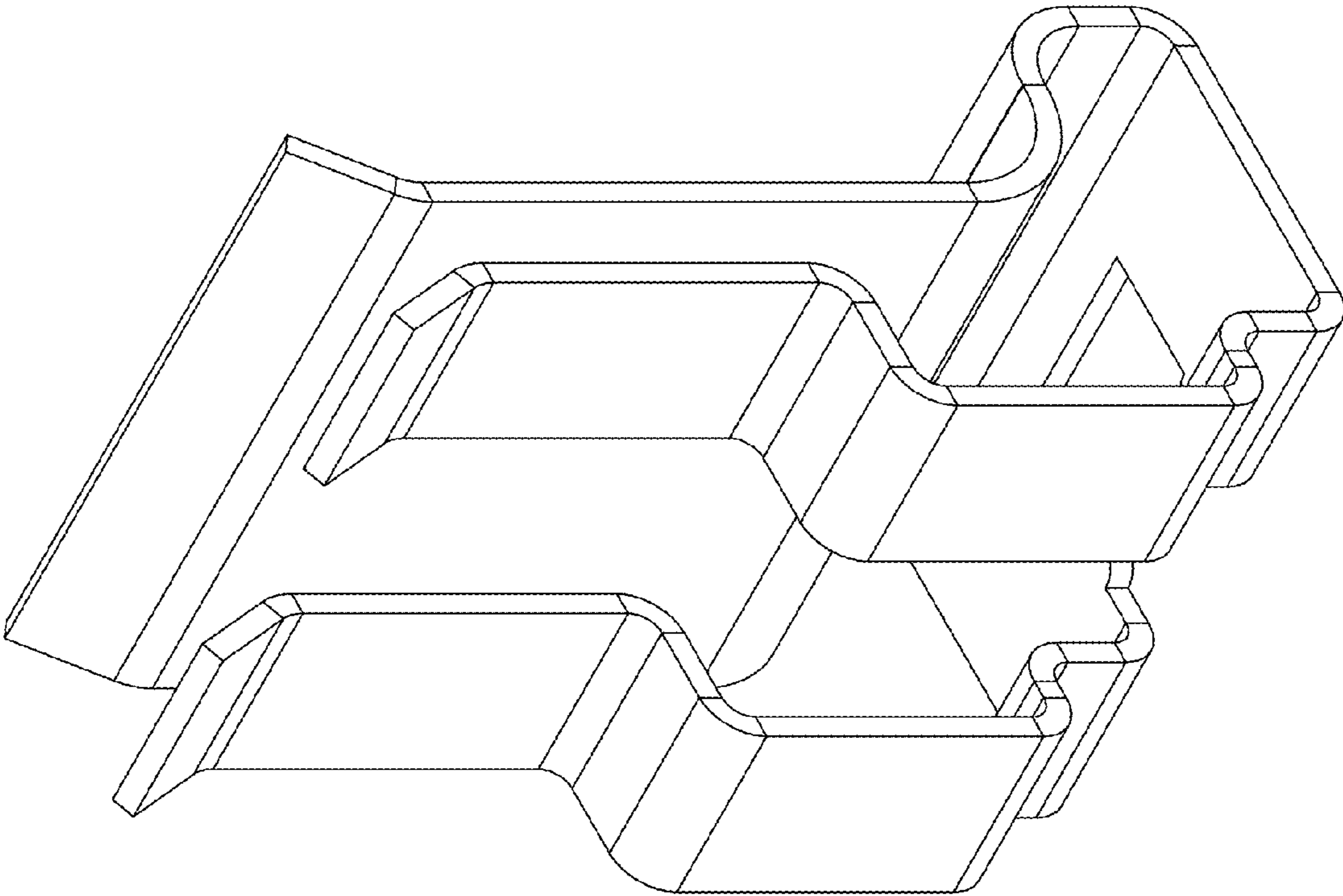


FIG. 3

FIG. 5

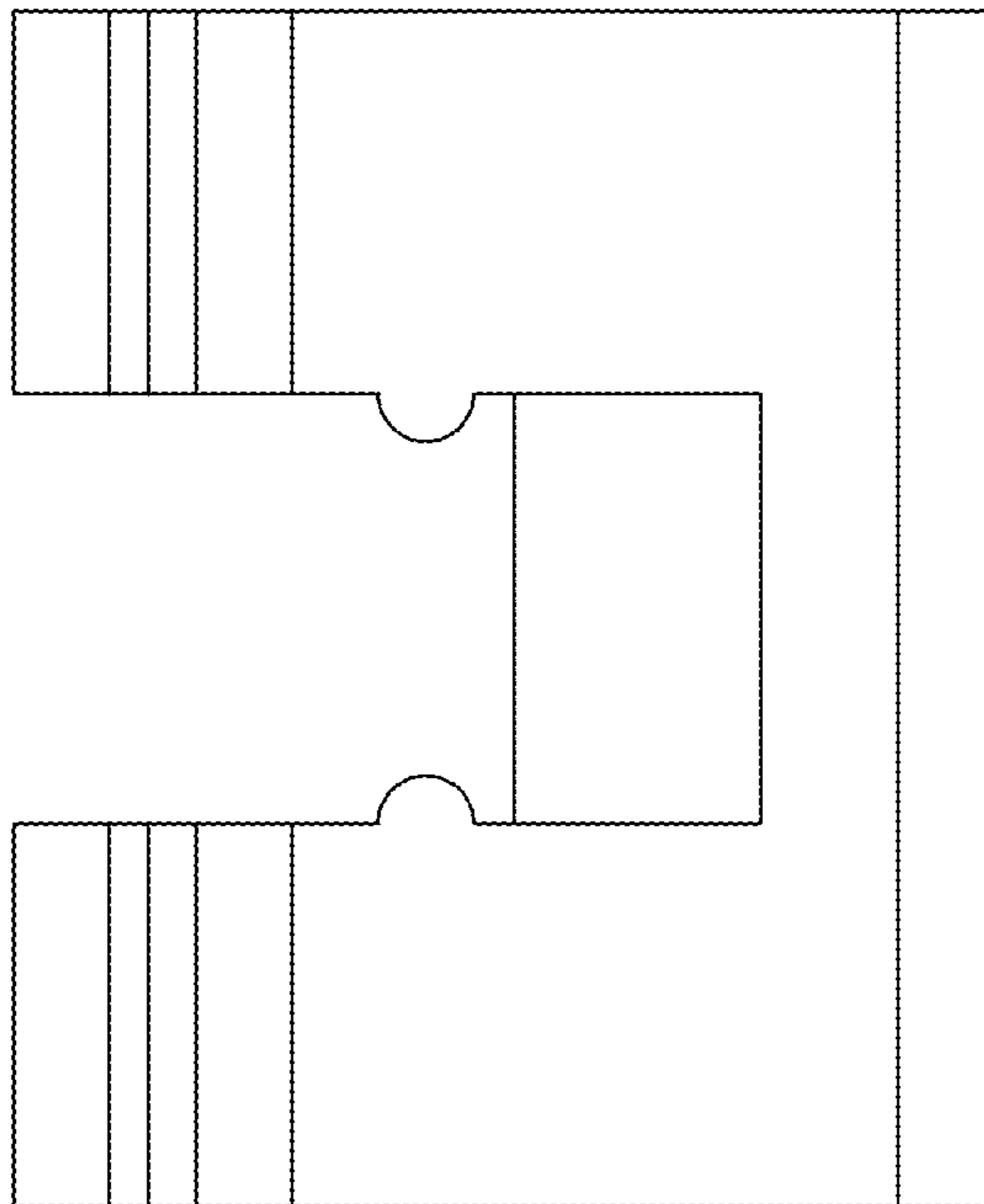
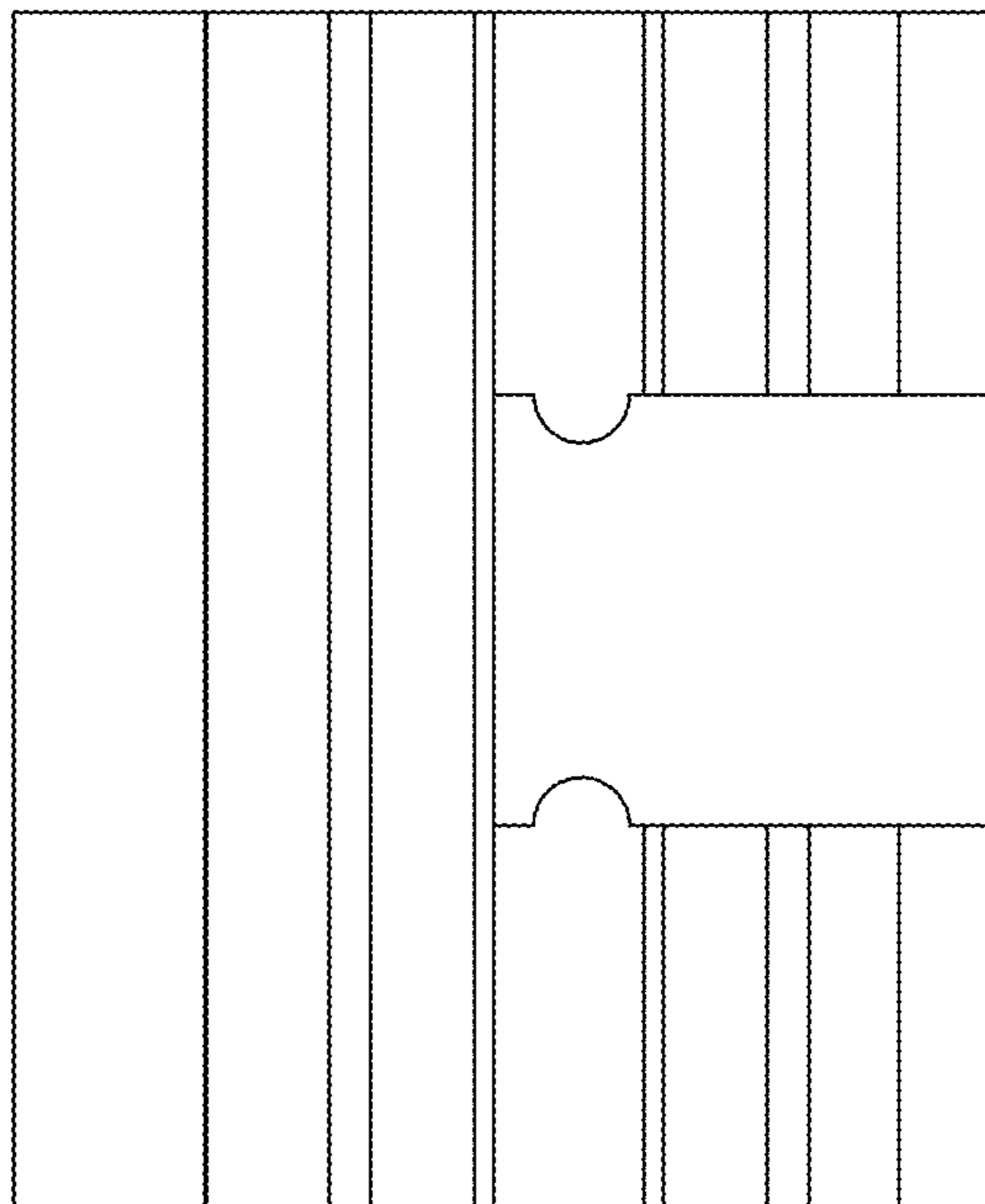


FIG. 4



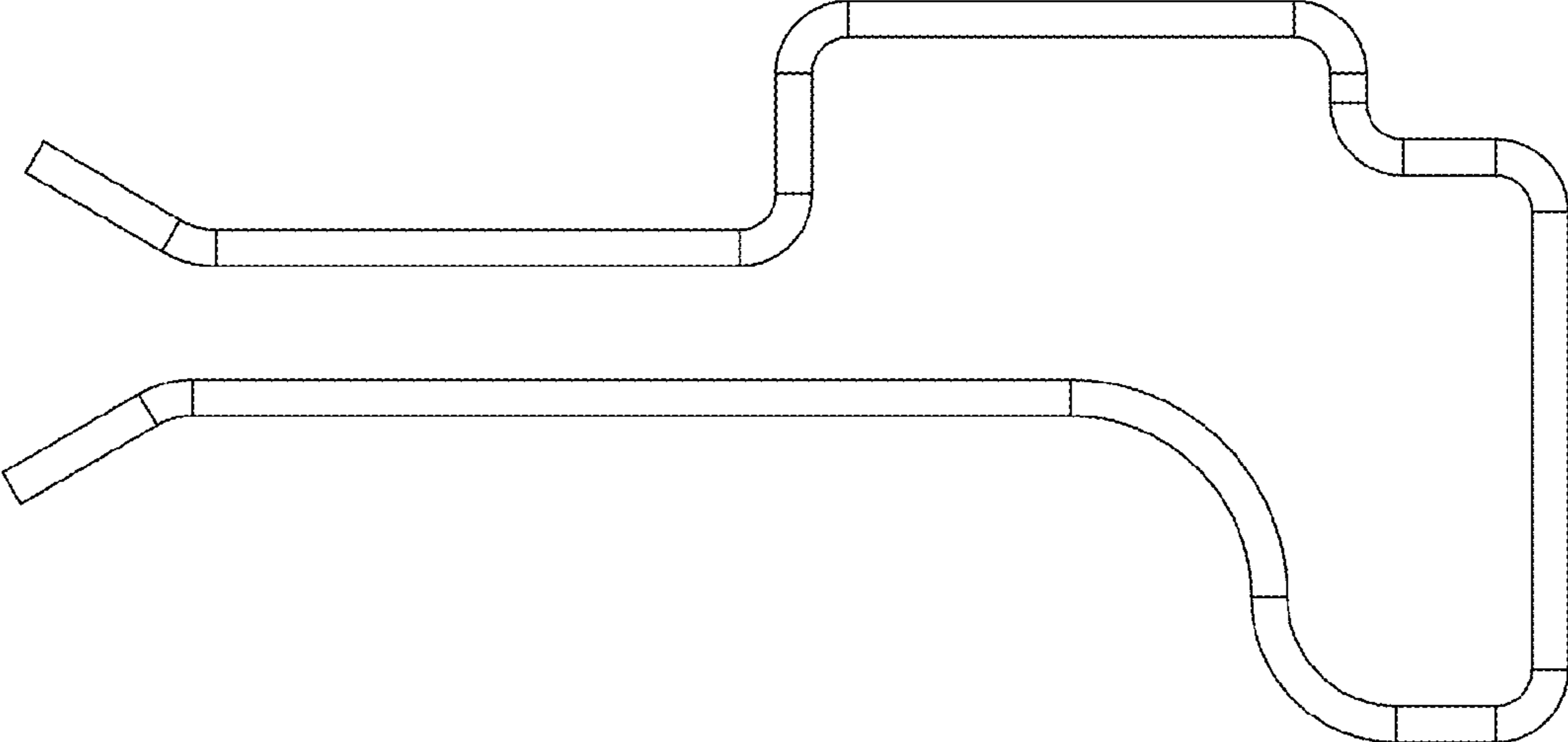


FIG. 6

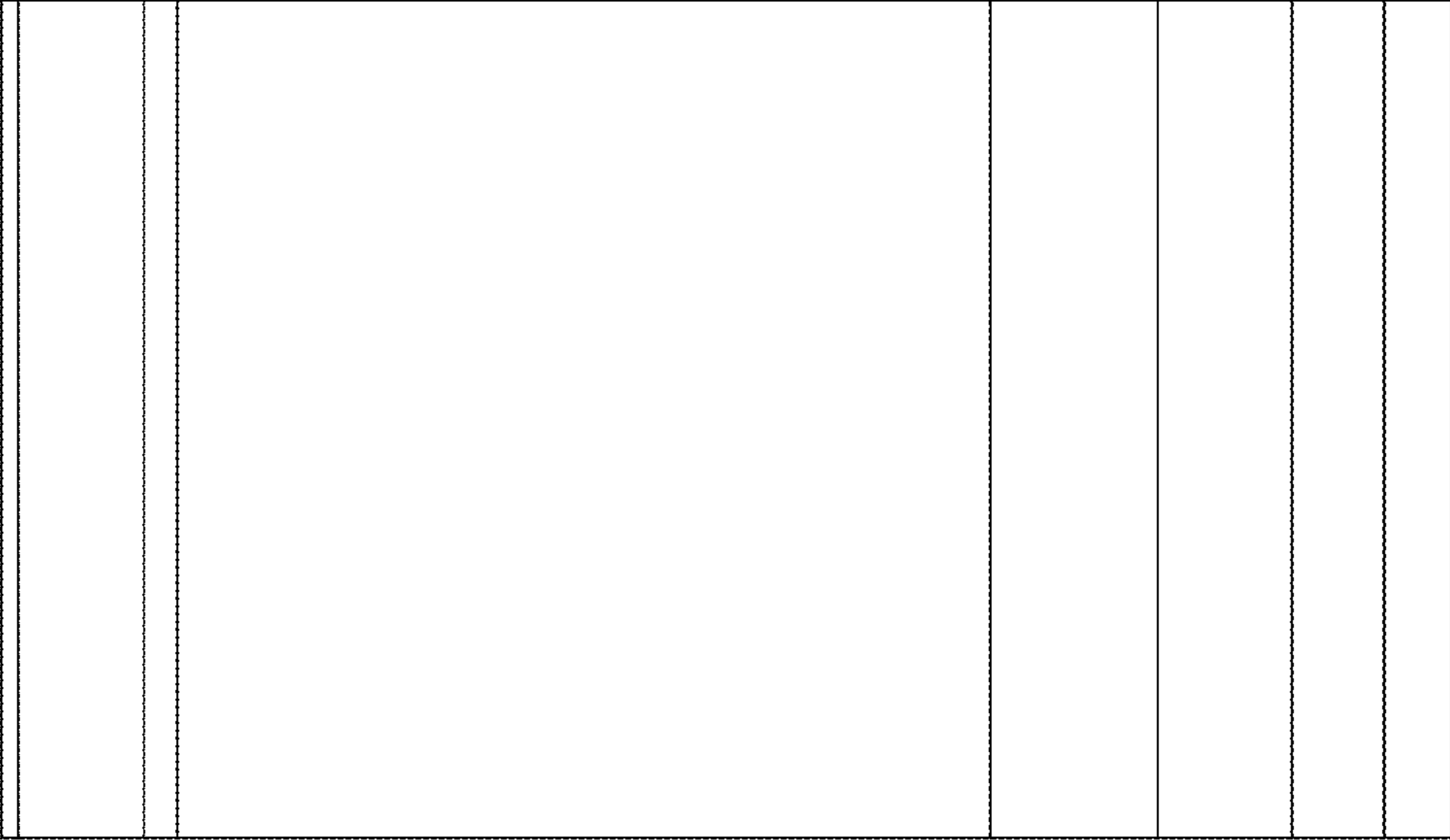


FIG. 8

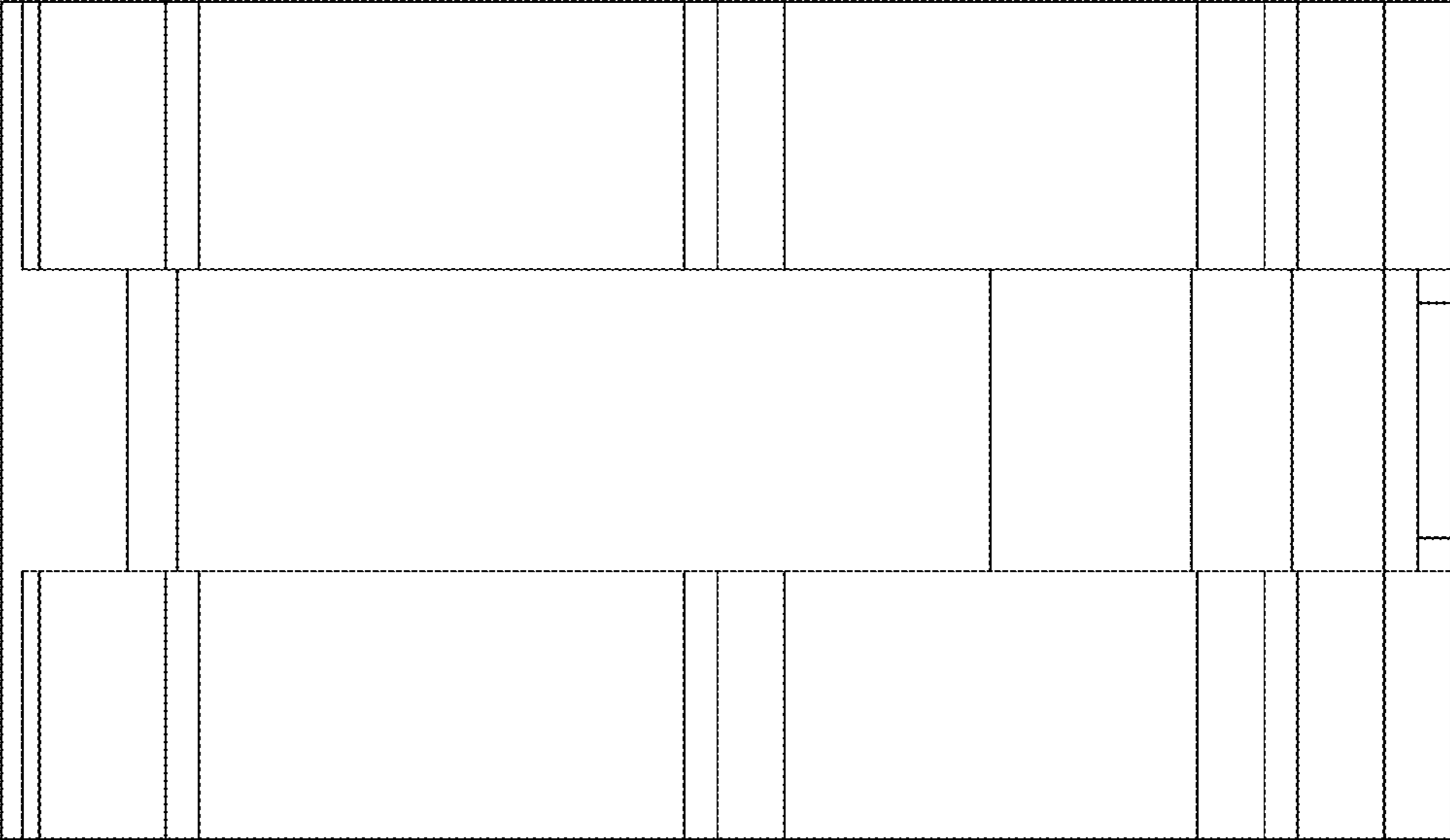


FIG. 7