



US00D762104S

(12) **United States Design Patent**  
**Hyde et al.**

(10) **Patent No.:** **US D762,104 S**  
(45) **Date of Patent:** **\*\* Jul. 26, 2016**

(54) **PADLOCK**  
(71) Applicant: **RPH Engineering**, Lehi, UT (US)  
(72) Inventors: **Ryan P. Hyde**, Lehi, UT (US); **Jacob S. Morrise**, Lehi, UT (US); **John Robert Schwartz**, Saratoga Springs, UT (US); **Michael R. Colton**, American Fork, UT (US)  
(73) Assignee: **RPH Engineering**, Lehi, UT (US)

D276,408 S \* 11/1984 Zabel ..... D8/334  
5,345,794 A \* 9/1994 Jenks ..... E05B 67/36  
70/14  
5,522,243 A \* 6/1996 Kusmiss ..... E05B 37/0068  
434/113  
5,572,890 A \* 11/1996 Carpenter ..... E05B 15/1614  
70/371  
D416,467 S \* 11/1999 Castellanos ..... D8/334  
D567,628 S \* 4/2008 Rohde ..... D8/333  
D679,168 S \* 4/2013 Stevens ..... D8/334  
D685,250 S \* 7/2013 Stevens ..... D8/334  
D696,926 S \* 1/2014 Kemppainen ..... D8/334  
D736,592 S \* 8/2015 Gengler ..... D8/334

(\*\*) Term: **14 Years**

\* cited by examiner

(21) Appl. No.: **29/526,582**

*Primary Examiner* — Prabhakar Deshmukh

(22) Filed: **May 11, 2015**

(51) **LOC (10) Cl.** ..... **08-07**

(57) **CLAIM**

The ornamental design for a padlock, as shown and described.

(52) **U.S. Cl.**

USPC ..... **D8/334**

(58) **Field of Classification Search**

**DESCRIPTION**

USPC ..... D8/330-347; 70/14, 20-28, 31, 32, 39,  
70/41, 52-56, 86, 314, 423, DIG. 43,  
70/DIG. 56, 38 A, DIG. 3, DIG. 4  
CPC ..... E05B 67/08; E05B 67/00; E05B 67/02;  
E05B 2067/00; E05B 9/00; E05B 63/00  
See application file for complete search history.

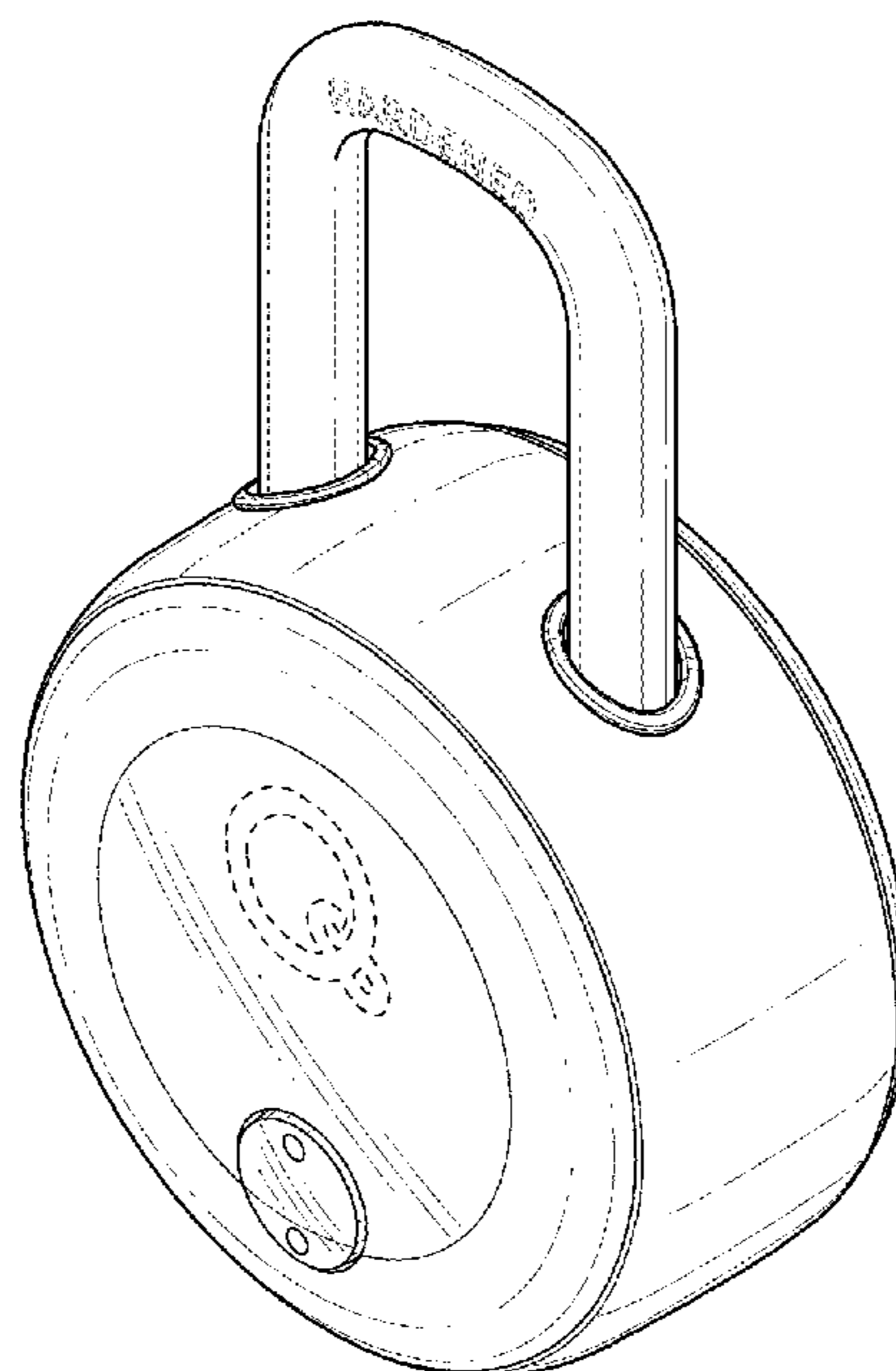
FIG. 1 is front perspective view of a padlock showing our new design;  
FIG. 2 is a rear perspective view thereof;  
FIG. 3 is a front elevational view thereof;  
FIG. 4 is a top plan view thereof;  
FIG. 5 is a rear elevational view thereof;  
FIG. 6 is a bottom plan view thereof; and,  
FIG. 7 is a side elevational view thereof.  
The broken lines indicate environment and form no part of the claimed design.

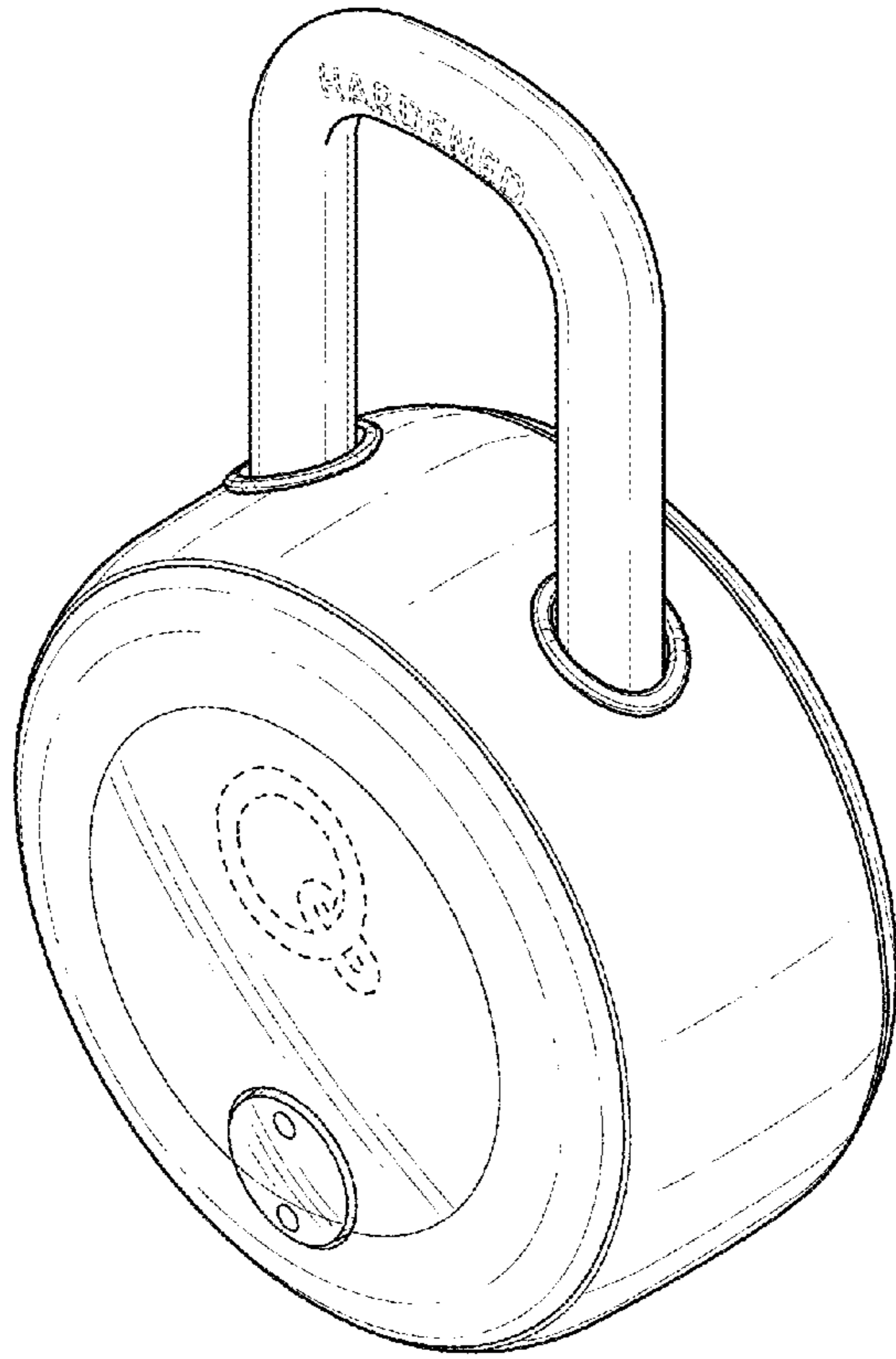
(56) **References Cited**

**U.S. PATENT DOCUMENTS**

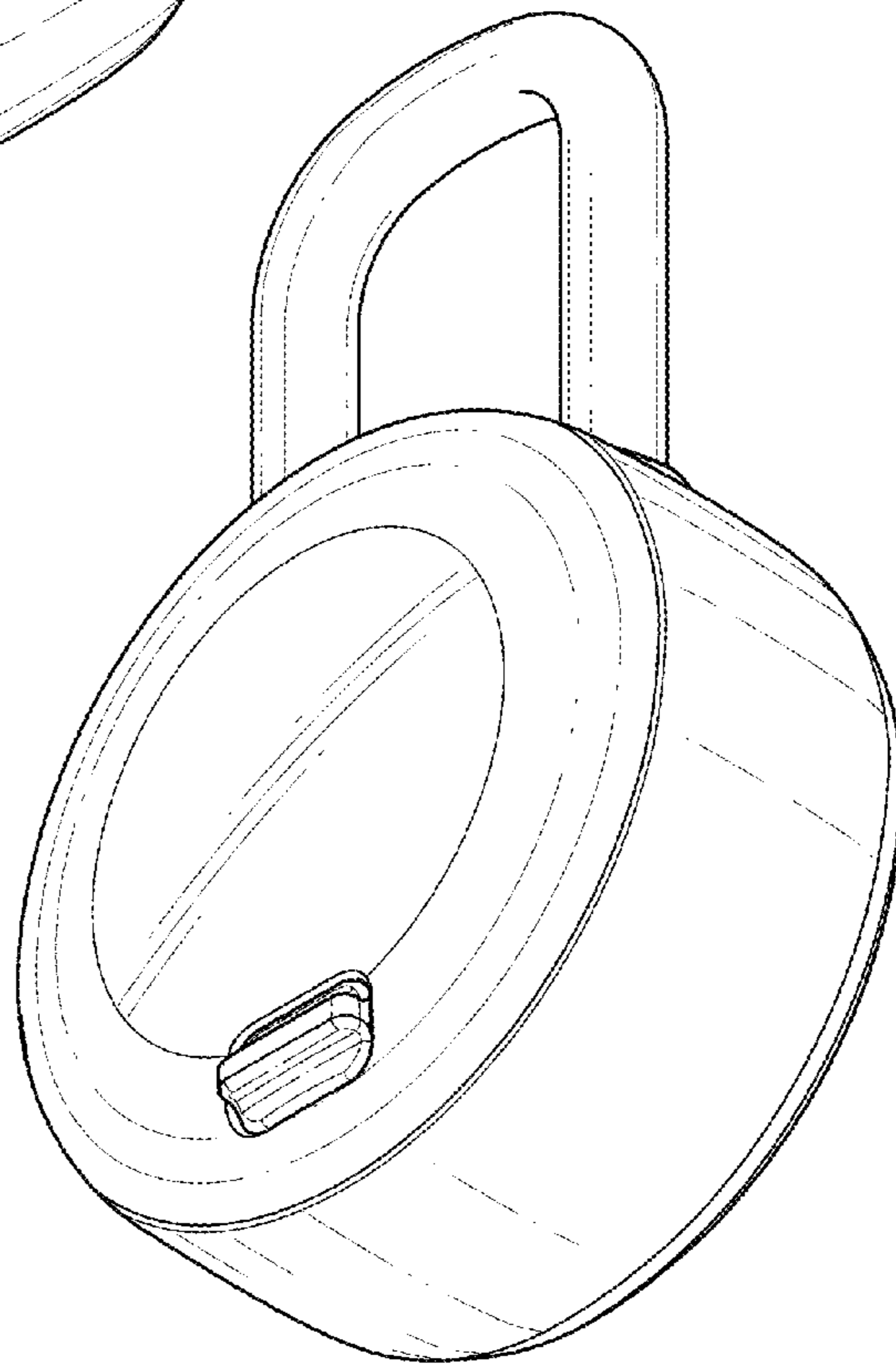
D95,463 S \* 4/1935 Soref et al. .... D8/334  
4,422,311 A \* 12/1983 Zabel ..... E05B 37/10  
70/25

**1 Claim, 4 Drawing Sheets**

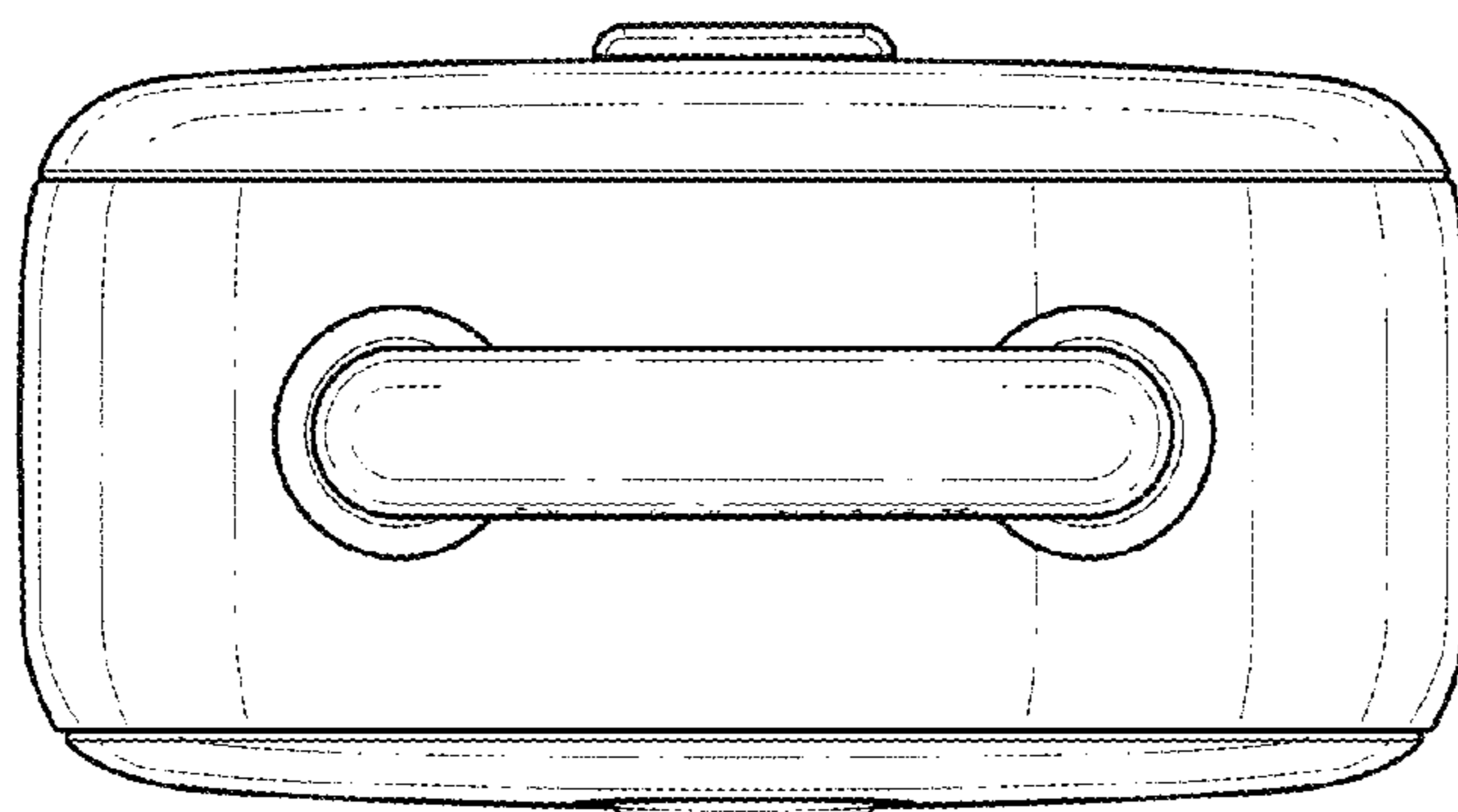




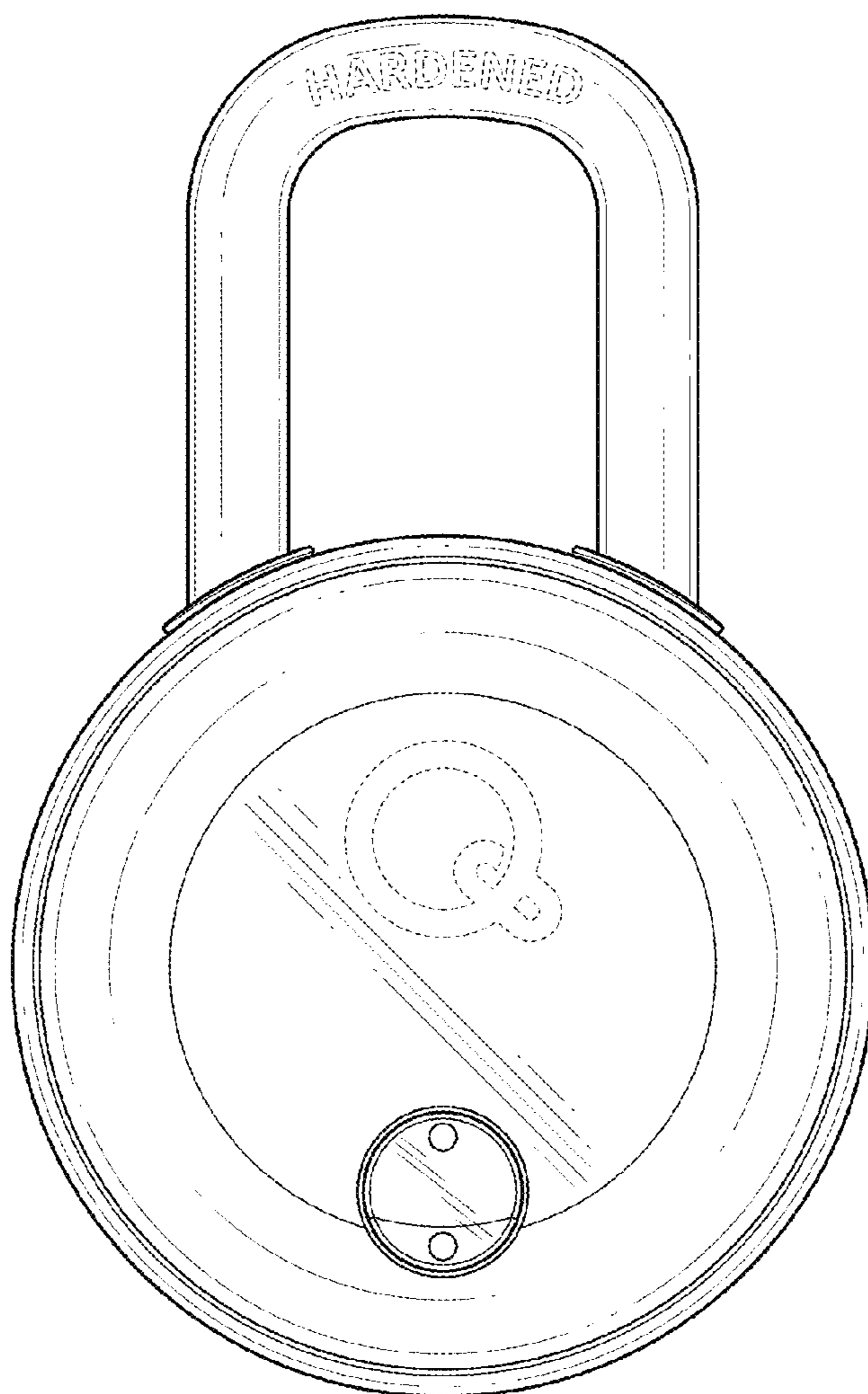
**FIG. 1**



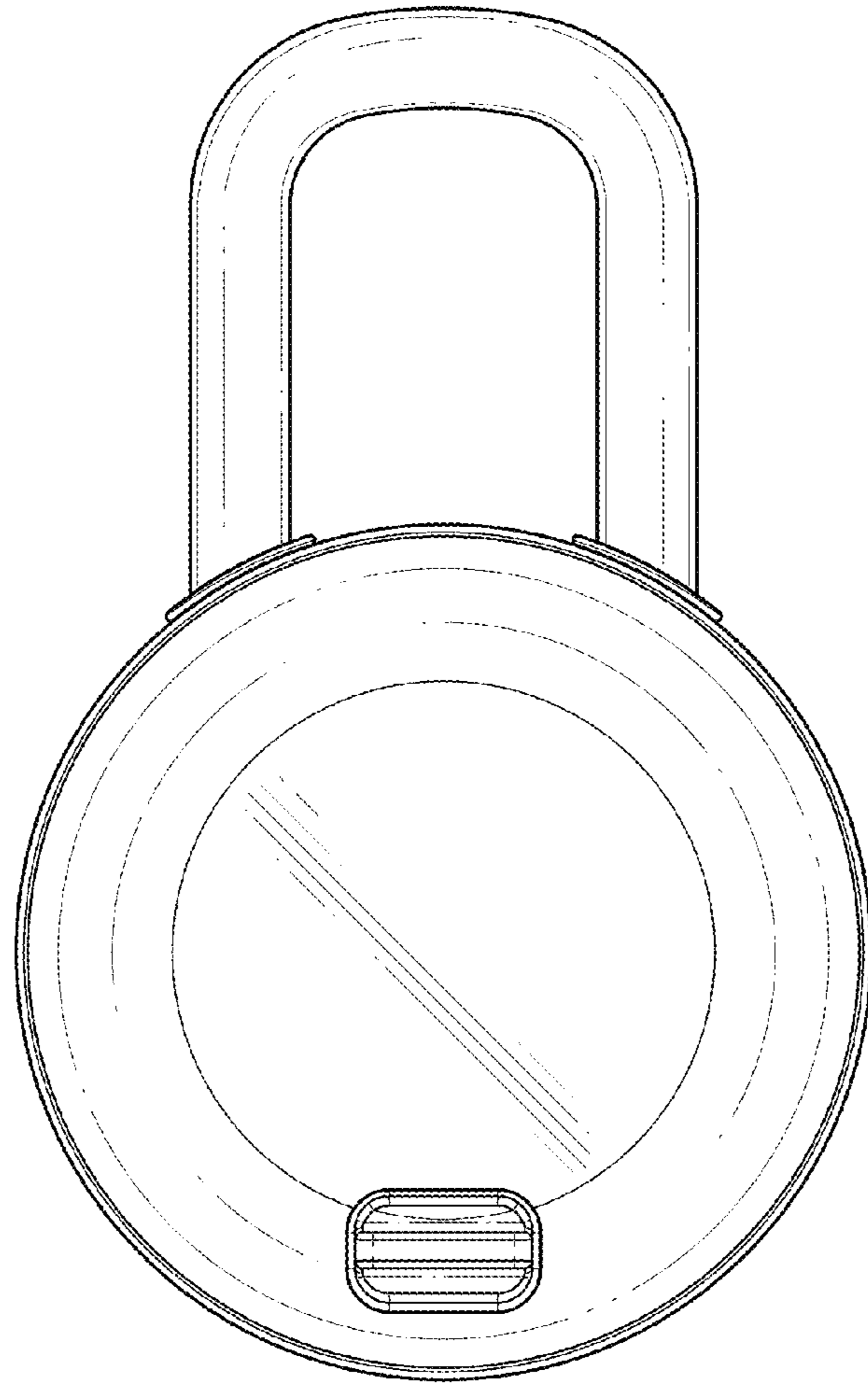
**FIG. 2**



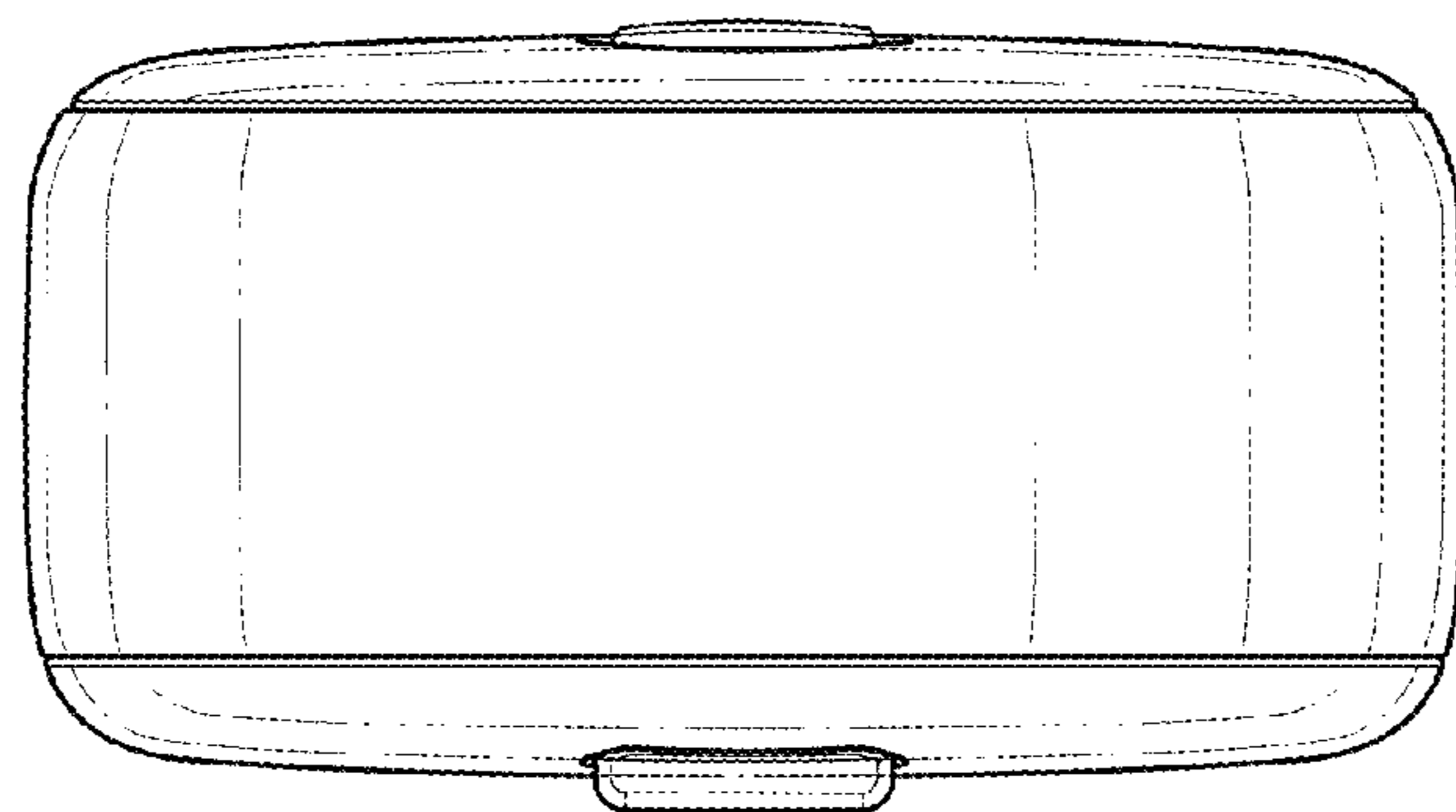
**FIG. 4**



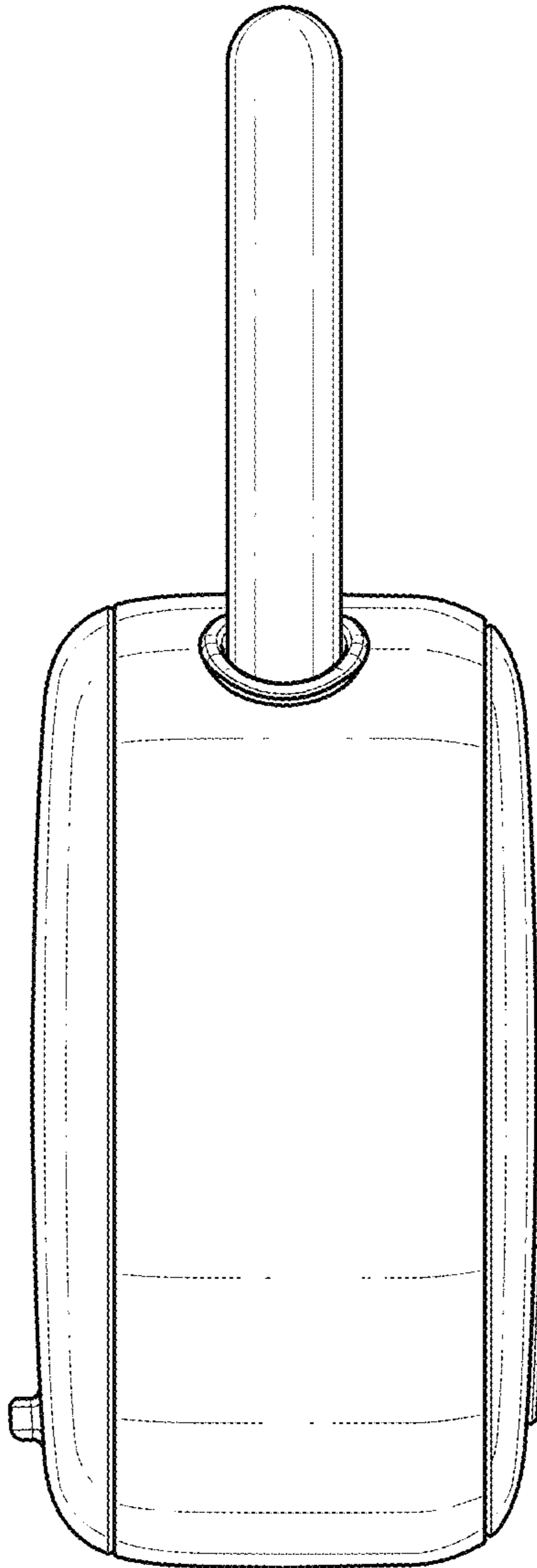
**FIG. 3**



**FIG. 5**



**FIG. 6**



**FIG. 7**