

US00D762103S

(12) **United States Design Patent**
Gokcebay et al.

(10) **Patent No.:** **US D762,103 S**
(45) **Date of Patent:** **** Jul. 26, 2016**

- (54) **LOCKER LOCK WITH PULL HANDLE**
- (71) Applicant: **Security People, Inc.**, Petaluma, CA (US)
- (72) Inventors: **Asil T. Gokcebay**, Petaluma, CA (US); **Julian Peck**, San Rafael, CA (US); **Kelly Kodama**, Walnut Creek, CA (US)
- (73) Assignee: **Security People, Inc.**, Petaluma, CA (US)
- (**) Term: **14 Years**
- (21) Appl. No.: **29/525,896**
- (22) Filed: **May 4, 2015**

- 4,745,784 A * 5/1988 Gartner E05B 47/0688 70/133
- 4,748,833 A * 6/1988 Nagasawa E05B 37/16 70/214
- 4,899,562 A * 2/1990 Gartner G07C 9/0069 70/277
- 4,926,664 A * 5/1990 Gartner E05B 47/0012 70/119
- 5,020,345 A * 6/1991 Gartner E05B 47/0012 70/277
- 5,033,282 A * 7/1991 Gartner E05B 47/0012 70/119
- 5,475,996 A 12/1995 Chen
- 6,058,746 A * 5/2000 Mirshafiee E05B 63/0056 292/39
- 7,221,272 B2 5/2007 Hosselet
- D560,467 S * 1/2008 Pattison D8/331
- D580,739 S 11/2008 Pelletier et al.
- D686,055 S 7/2013 Li
- D686,056 S 7/2013 Li
- 8,490,443 B2 7/2013 Gokcebay
- 8,495,898 B2 7/2013 Gokcebay
- 8,587,405 B2 11/2013 Denison et al.
- 8,616,031 B2 12/2013 Ullrich et al.
- D698,222 S 1/2014 Guo

Related U.S. Application Data

- (62) Division of application No. 29/477,076, filed on Dec. 19, 2013, now Pat. No. Des. 730,715.
- (51) **LOC (10) Cl.** **08-07**
- (52) **U.S. Cl.**
USPC **D8/331; D8/330**
- (58) **Field of Classification Search**
USPC D8/330, 331, 336, 338, 339, 340, 343; 70/14, 2, 51, 57, 57.1, 91, 107, 141, 70/214, 78, 278, 1, 127, 447; 292/2, 32, 292/137, 288, 289, 290, 292, 194-198, 164, 292/165, 257
CPC E05B 49/00; E05B 17/00; E05B 55/00; E05B 65/00
See application file for complete search history.

* cited by examiner

Primary Examiner — Prabhakar Deshmukh
(74) *Attorney, Agent, or Firm* — Thomas M. Freiburger

(57) **CLAIM**
The ornamental design for a locker lock with pull handle, substantially as shown and described.

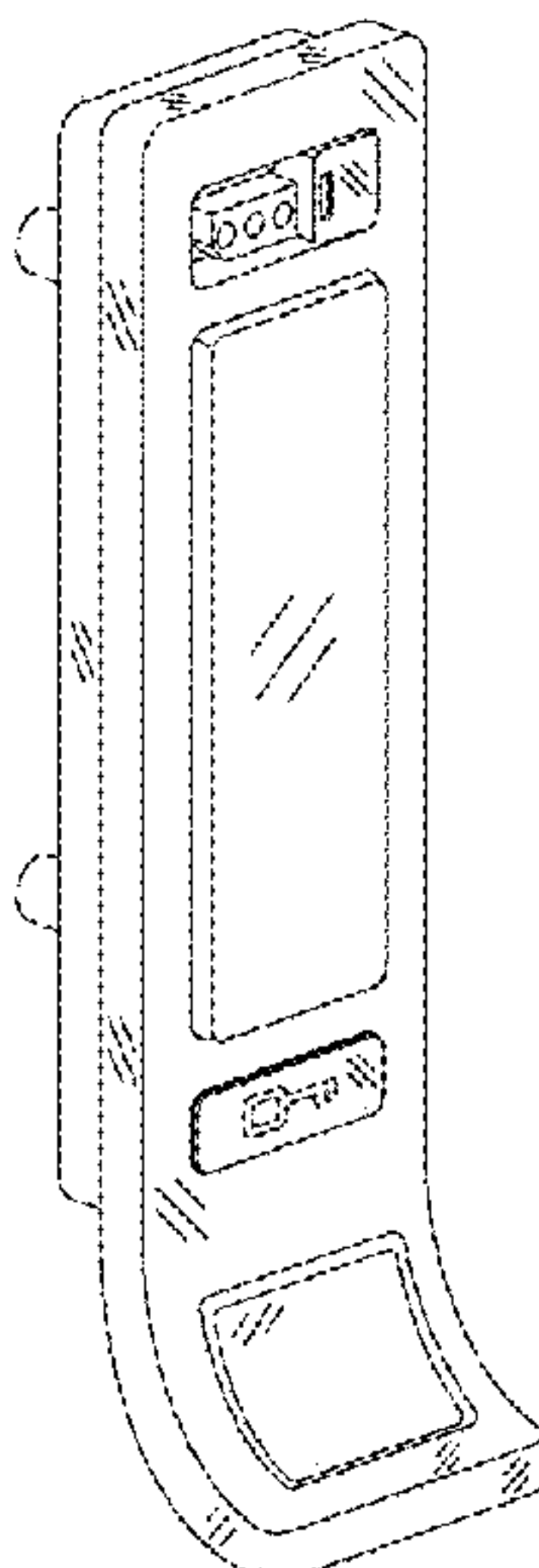
DESCRIPTION

FIG. 1 is a front left perspective view of a locker lock with pull handle according to our new design;
FIG. 2 is a top plan view thereof;
FIG. 3 is a left side view thereof;
FIG. 4 is a front elevation view thereof;
FIG. 5 is a right side view thereof; and,
FIG. 6 is a bottom plan view thereof.
Features shown in dashed lines are not part of the claimed design, nor is the rear side.

(56) **References Cited**
U.S. PATENT DOCUMENTS

- 3,187,528 A 6/1965 Check
- 3,555,860 A * 1/1971 Atkinson E05B 37/02 292/42
- D263,279 S 3/1982 Stolarz

1 Claim, 1 Drawing Sheet



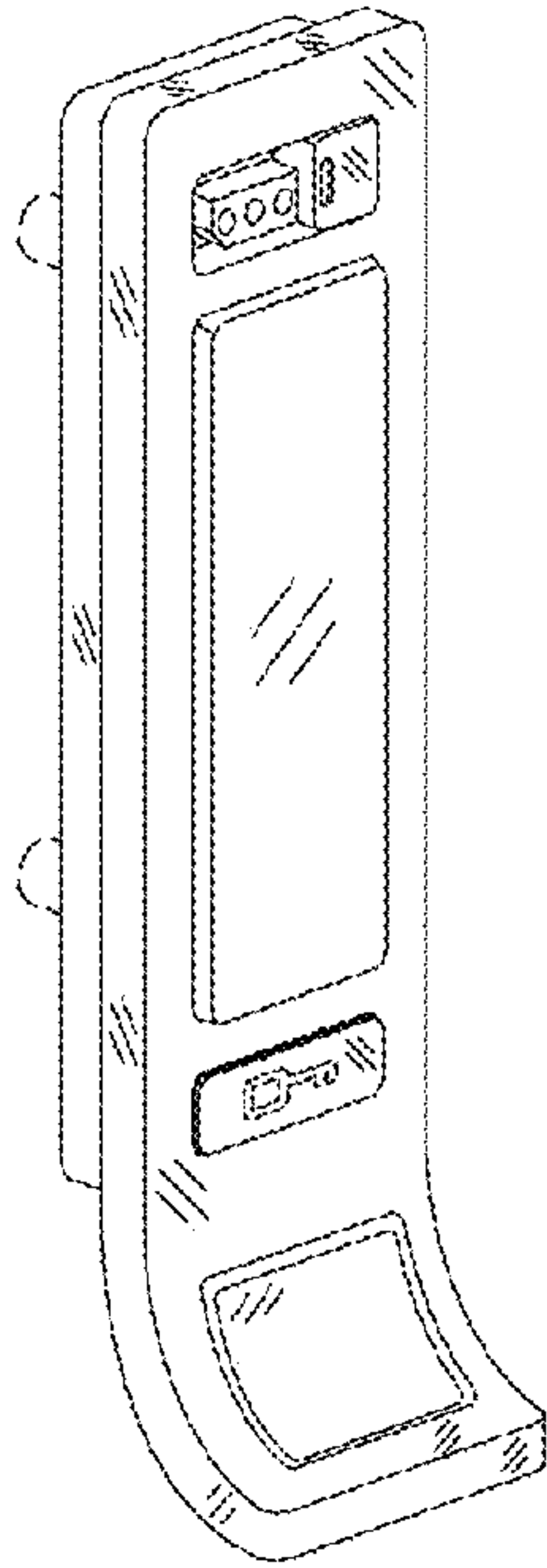


FIG. 1

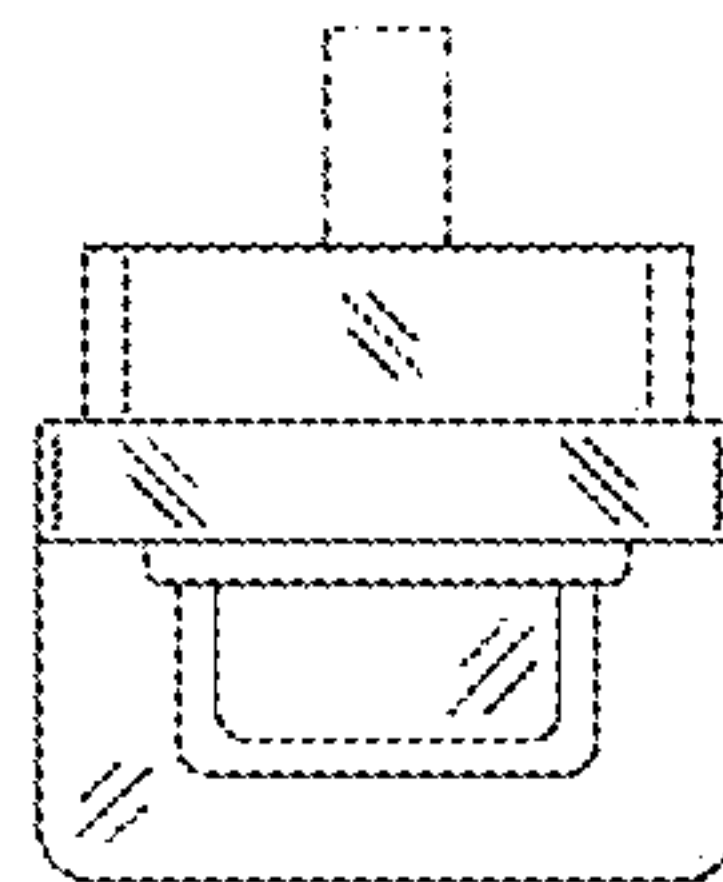


FIG. 2

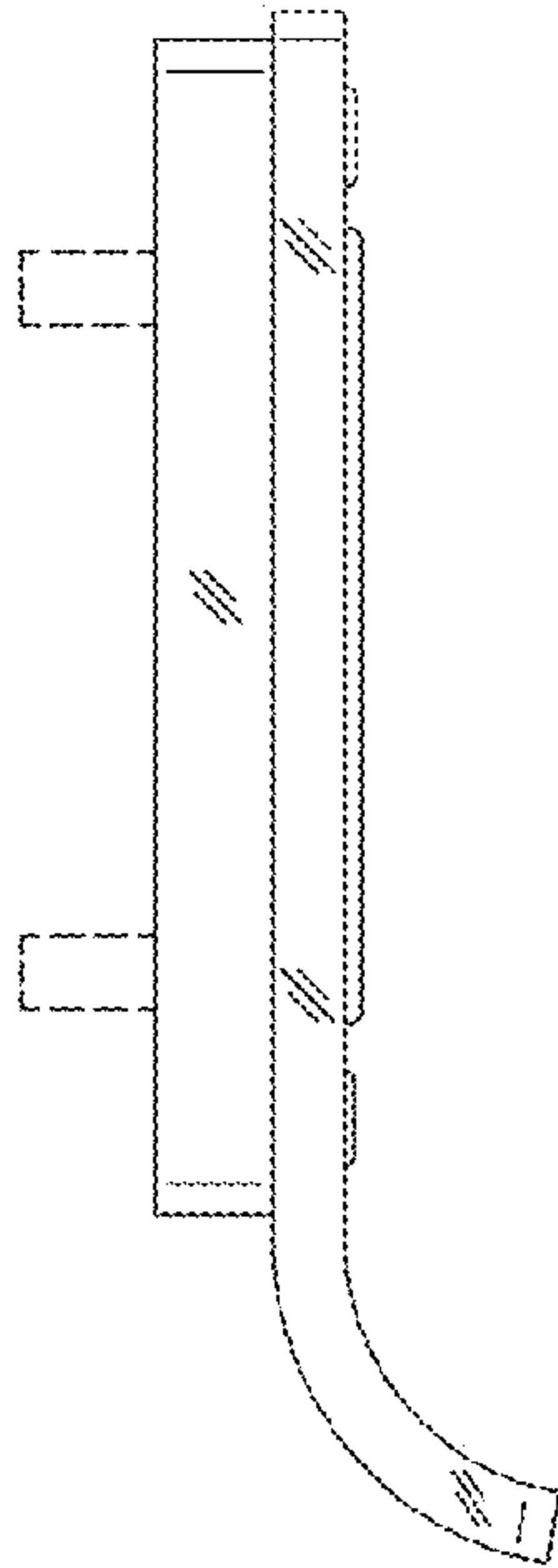


FIG. 3

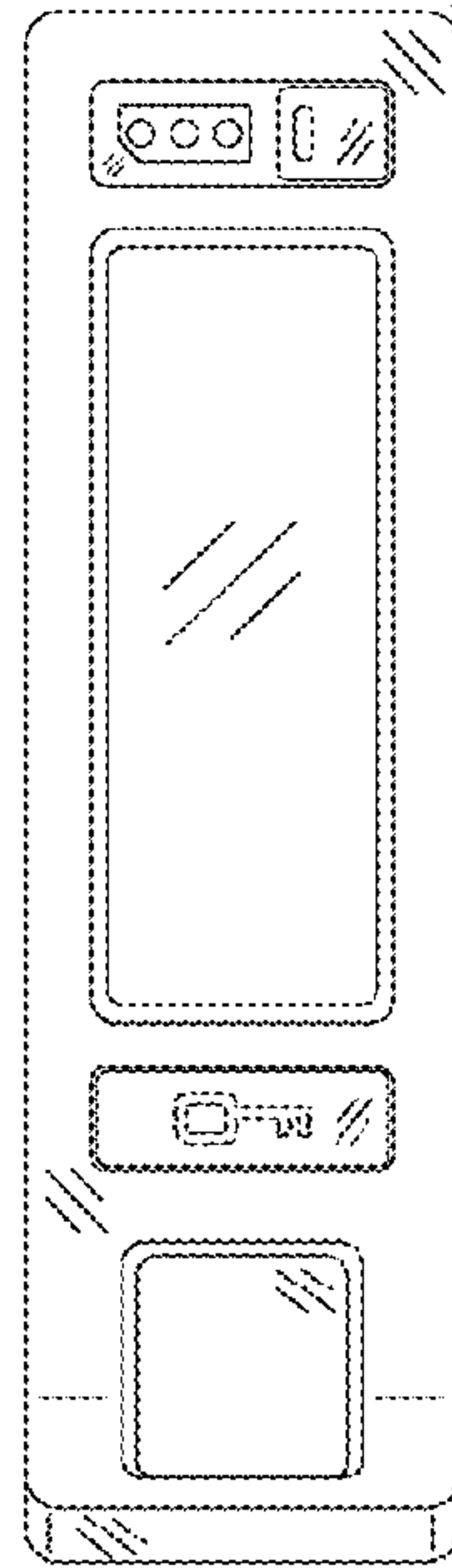


FIG. 4

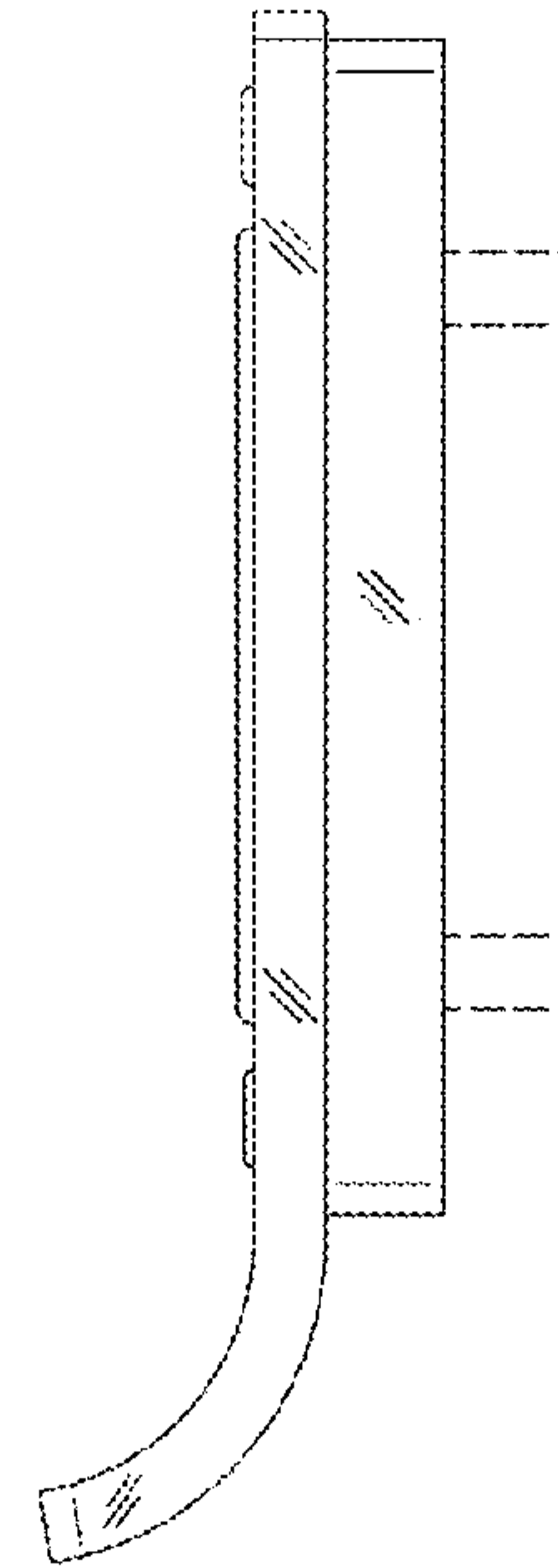


FIG. 5

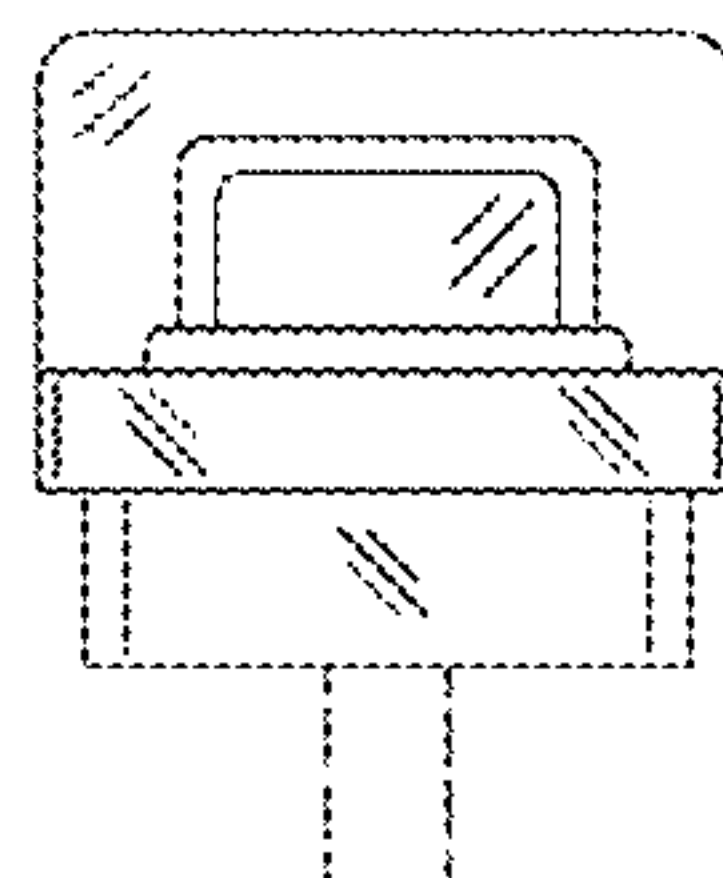


FIG. 6