

US00D762102S

(12) **United States Design Patent**  
**Gokcebay et al.**

(10) **Patent No.:** **US D762,102 S**  
(45) **Date of Patent:** **\*\* Jul. 26, 2016**

- (54) **ELECTRONIC LOCKER LOCK**
- (71) Applicant: **Security People, Inc.**, Petaluma, CA (US)
- (72) Inventors: **Asil T. Gokcebay**, Petaluma, CA (US); **Julian Peck**, San Rafael, CA (US); **Kelly Kodama**, Walnut Creek, CA (US)
- (73) Assignee: **Security People, Inc.**, Petaluma, CA (US)
- (\*\*) Term: **14 Years**
- (21) Appl. No.: **29/525,892**
- (22) Filed: **May 4, 2015**

**Related U.S. Application Data**

- (62) Division of application No. 29/477,069, filed on Dec. 19, 2013, now Pat. No. Des. 730,714.
- (51) **LOC (10) Cl.** ..... **08-07**
- (52) **U.S. Cl.**  
USPC ..... **D8/331; D8/330**
- (58) **Field of Classification Search**  
USPC ..... D8/330, 331, 336, 338, 339, 340, 343;  
70/14, 2, 51, 57, 57.1, 91, 107, 141,  
70/214, 78, 278, 1, 127, 447; 292/2, 32,  
292/137, 288, 289, 290, 292, 194-198, 164,  
292/165, 257  
CPC ..... E05B 49/00; E05B 17/00; E05B 55/00;  
E05B 65/00  
See application file for complete search history.

**References Cited**

**U.S. PATENT DOCUMENTS**

- 3,187,528 A 6/1965 Check
- 3,555,860 A \* 1/1971 Atkinson ..... E05B 37/02  
292/42
- D263,279 S 3/1982 Stolarz
- 4,745,784 A \* 5/1988 Gartner ..... E05B 47/0688  
70/133

- 4,748,833 A \* 6/1988 Nagasawa ..... E05B 37/16  
70/214
- 4,899,562 A \* 2/1990 Gartner ..... G07C 9/0069  
70/277
- 4,926,664 A \* 5/1990 Gartner ..... E05B 47/0012  
70/119
- 5,020,345 A \* 6/1991 Gartner ..... E05B 47/0012  
70/277
- 5,033,282 A \* 7/1991 Gartner ..... E05B 47/0012  
70/119
- 5,475,996 A 12/1995 Chen
- 6,058,746 A \* 5/2000 Mirshafiee ..... E05B 63/0056  
292/39
- 7,221,272 B2 5/2007 Hosselet
- D560,467 S \* 1/2008 Pattison ..... D8/331
- D580,739 S 11/2008 Pelletier et al.
- D686,055 S 7/2013 Li
- D686,056 S 7/2013 Li
- 8,490,443 B2 7/2013 Gokcebay
- 8,495,898 B2 7/2013 Gokcebay
- 8,587,405 B2 11/2013 Denison et al.
- 8,616,031 B2 12/2013 Ullrich et al.
- D698,222 S 1/2014 Guo

\* cited by examiner

*Primary Examiner* — Prabhakar Deshmukh

(74) *Attorney, Agent, or Firm* — Thomas M. Freiburger

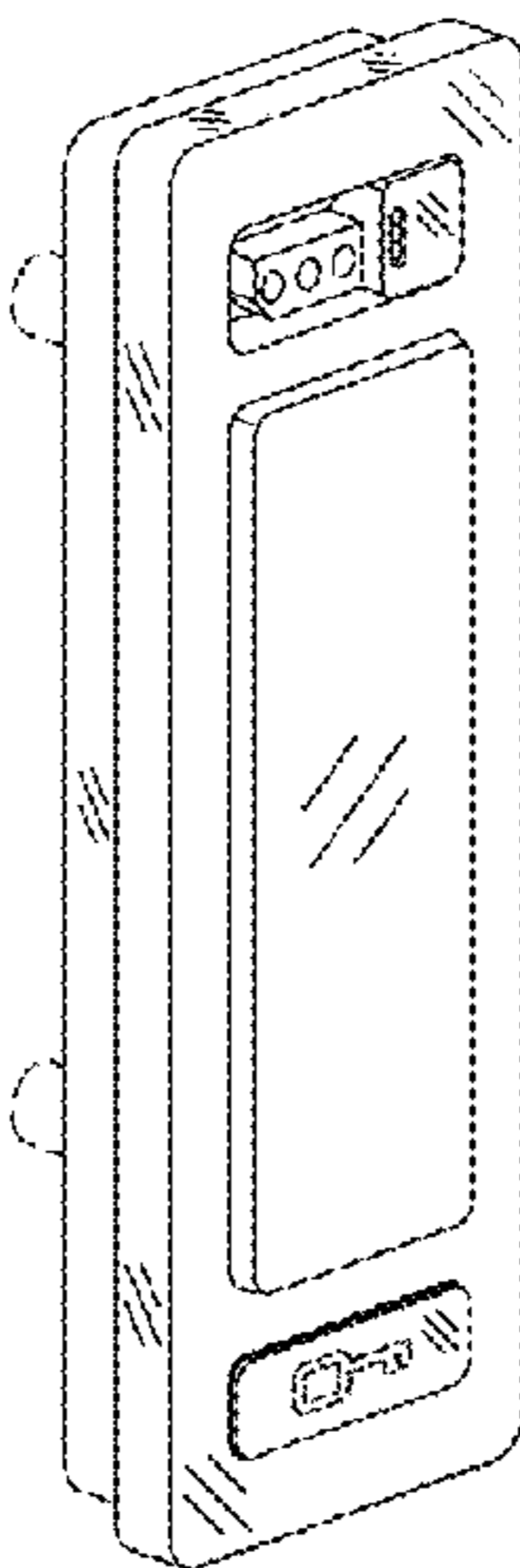
(57) **CLAIM**

The ornamental design for an electronic locker lock, substantially as shown and described.

**DESCRIPTION**

FIG. 1 is a front left perspective view of an electronic locker lock according to our new design;  
 FIG. 2 is a top plan view thereof;  
 FIG. 3 is a left side view thereof;  
 FIG. 4 is a front elevation view thereof;  
 FIG. 5 is a right side view thereof; and,  
 FIG. 6 is a bottom plan view thereof.  
 Features shown in dashed lines are not part of the claimed design, nor is the rear side.

**1 Claim, 1 Drawing Sheet**



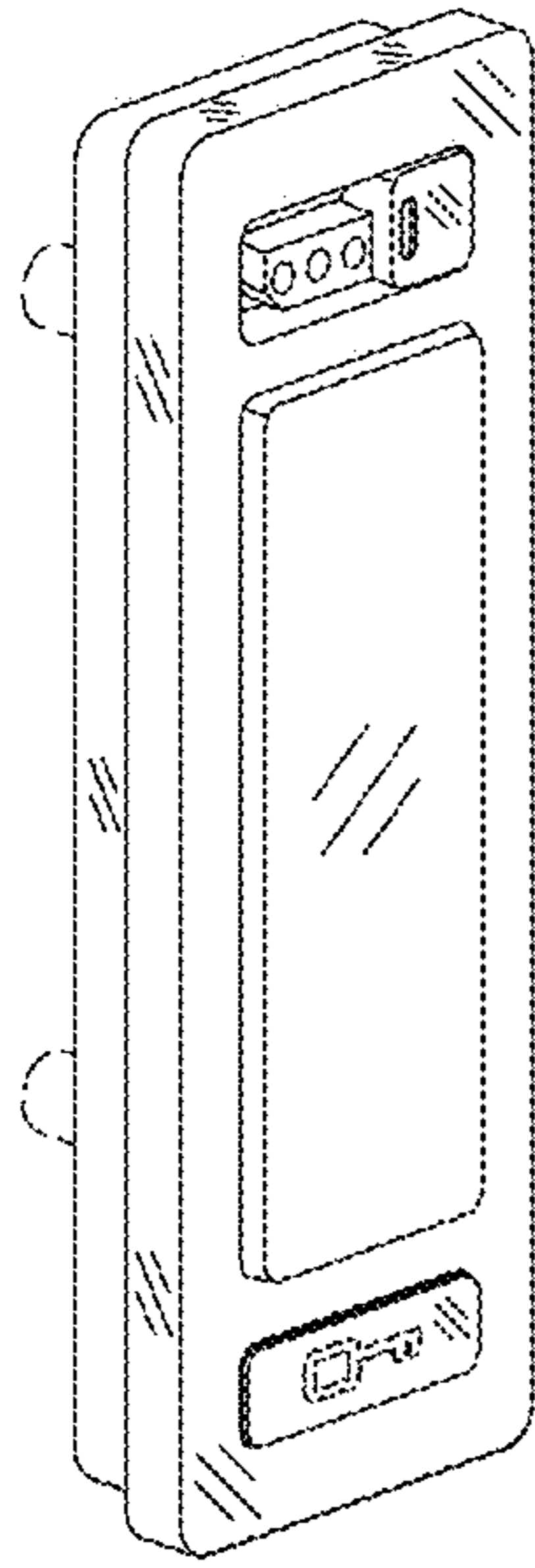


FIG. 1

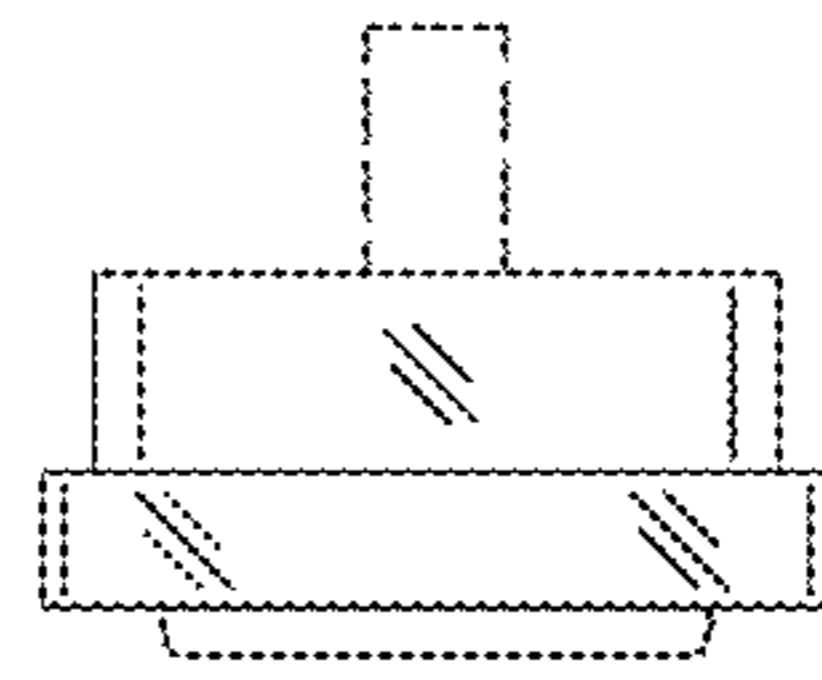


FIG. 2

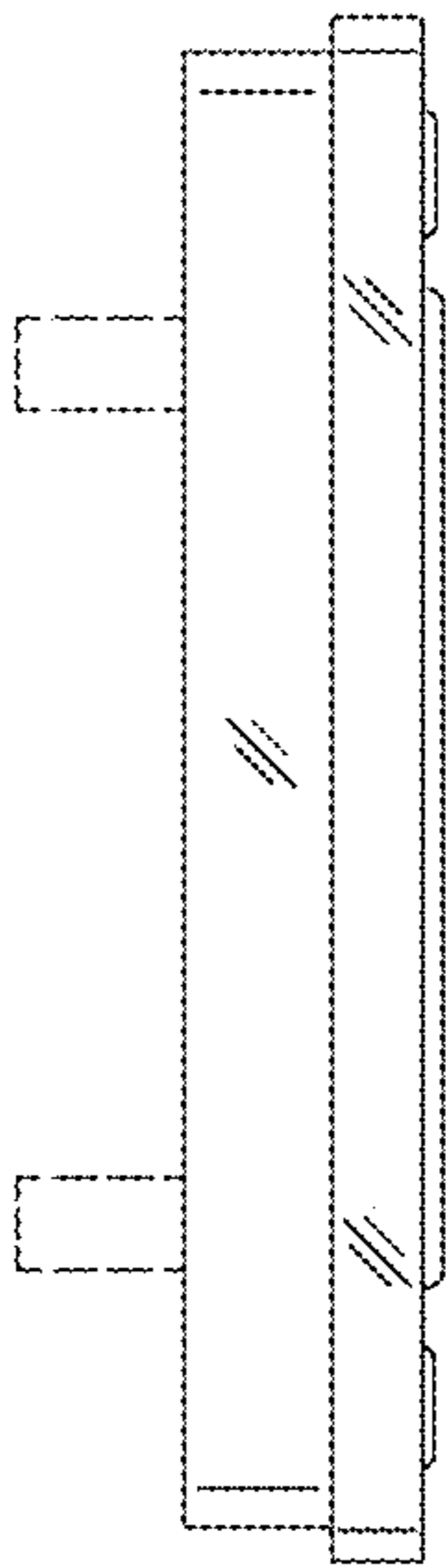


FIG. 3

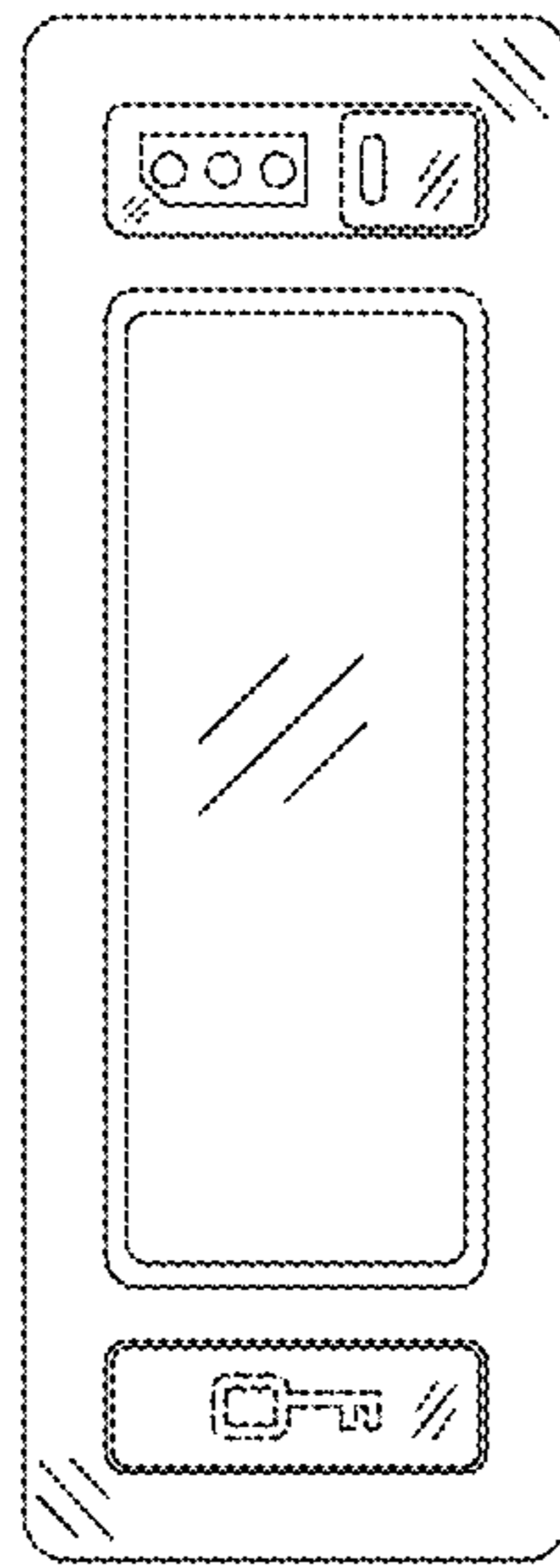


FIG. 4

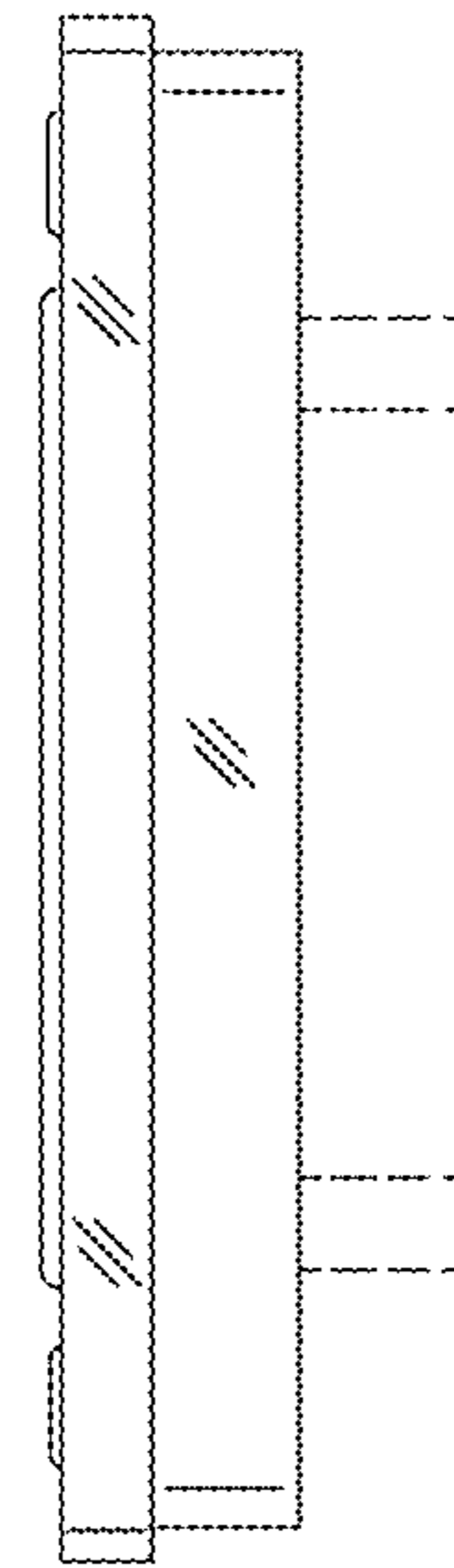


FIG. 5

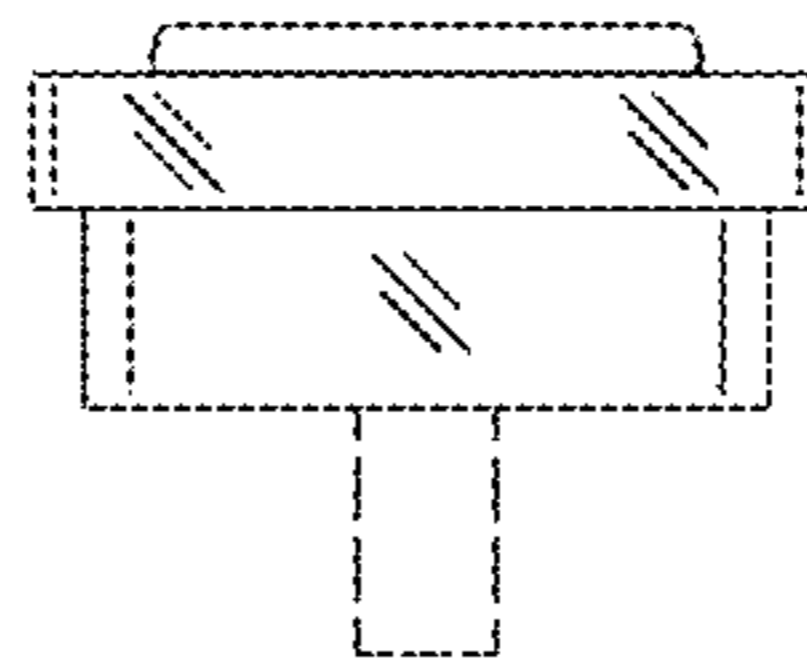


FIG. 6