

US00D762099S

(12) **United States Design Patent**
Lee

(10) **Patent No.:** **US D762,099 S**
(45) **Date of Patent:** **** Jul. 26, 2016**

(54) **LOCKABLE HINGE**

D725,990 S * 4/2015 Zheng D8/323

(71) Applicant: **Chunghsin Lee**, Las Vegas, NV (US)

* cited by examiner

(72) Inventor: **Chunghsin Lee**, Las Vegas, NV (US)

Primary Examiner — Cynthia Underwood

(73) Assignee: **FTR Systems, Inc.**, Las Vegas, NV (US)

(74) *Attorney, Agent, or Firm* — Don Halgren

(**) Term: **14 Years**

(57) **CLAIM**

The lockable hinge, as shown and described in the foregoing.

(21) Appl. No.: **29/474,755**

DESCRIPTION

(22) Filed: **Jan. 28, 2015**

(51) **LOC (10) Cl.** **08-06**

(52) **U.S. Cl.**

USPC **D8/323**

(58) **Field of Classification Search**

USPC D8/367, 354, 349, 389, 323; 248/301,
248/302, 303, 304, 339; 24/132 R; D6/325;
16/334

CPC A47G 1/00; F16B 2/00; A63B 27/00;

Y10T 16/00

See application file for complete search history.

FIG. 1 is a perspective view of the lockable hinge of the present invention;

FIG. 2 is a left side of the lockable hinge of the present invention shown in FIG. 1;

FIG. 3 is a right side of the lockable hinge of the present invention shown in FIG. 1;

FIG. 4 is a side view of the lockable hinge of the present invention in the direction of lines 4-4 as represented in FIG. 3;

FIG. 5 is the opposite side view of the lockable hinge of the present invention in the direction of lines 5-5 as represented in FIG. 3;

FIG. 6 is a top or plan view lockable hinge of the present invention in the direction of lines 6-6 as represented in FIG. 2;

and,

FIG. 7 is a bottom view of the lockable hinge of the present invention in the direction of lines 7-7 as represented in FIG. 2.

(56) **References Cited**

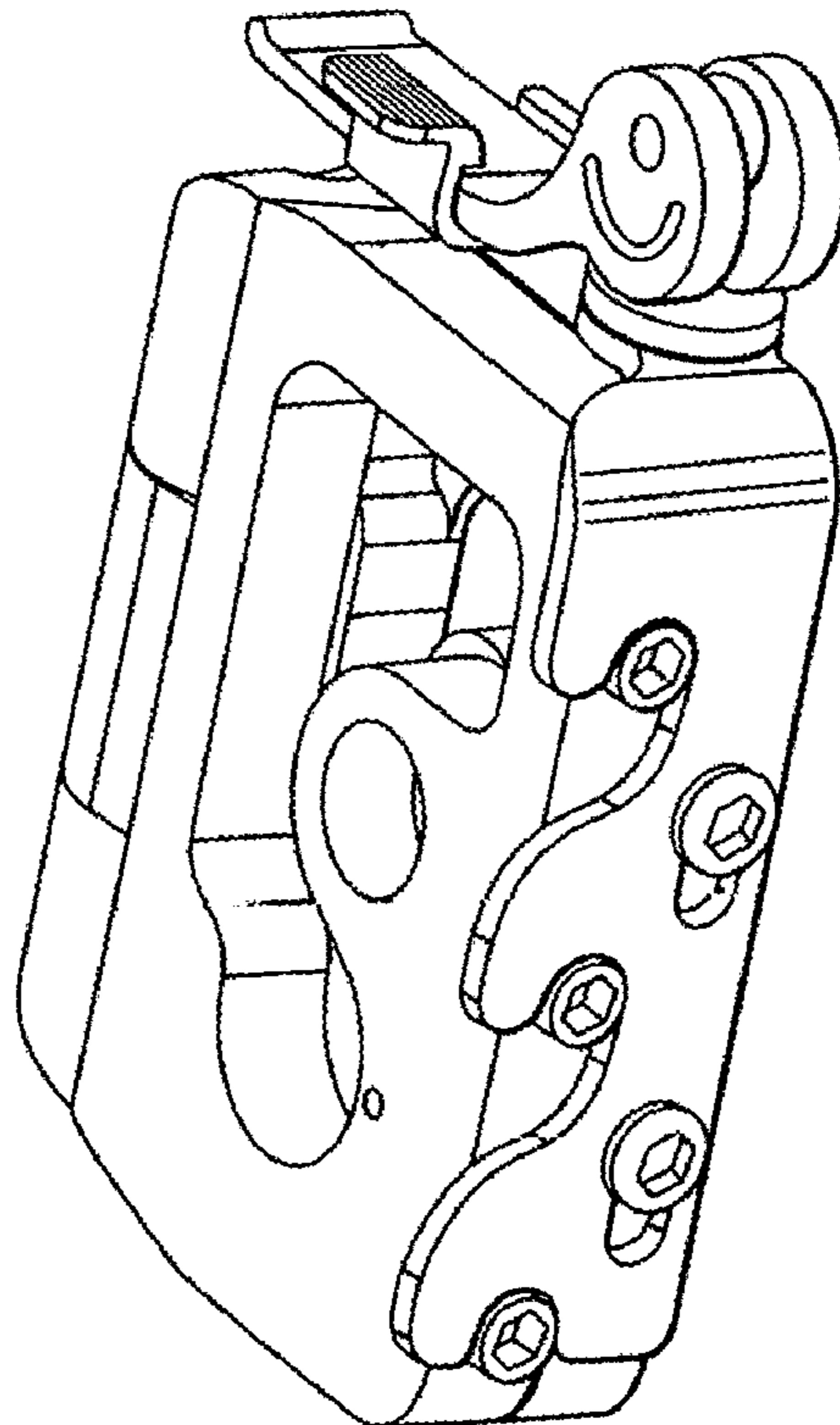
U.S. PATENT DOCUMENTS

D275,172 S * 8/1984 Kwan D8/323

D548,044 S * 8/2007 Tang D8/323

D622,128 S * 8/2010 Laurenza D11/87

1 Claim, 3 Drawing Sheets



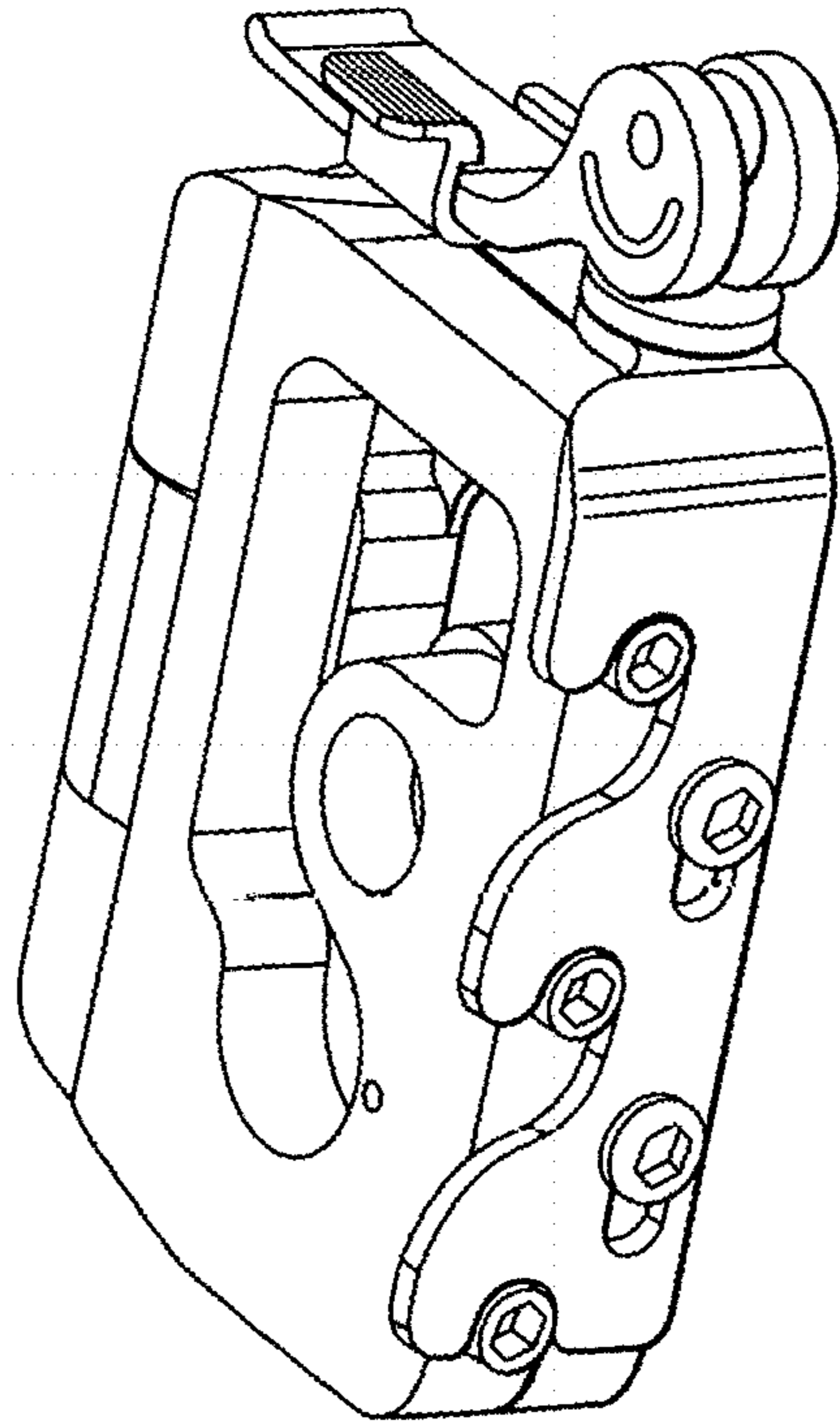


Fig. 1

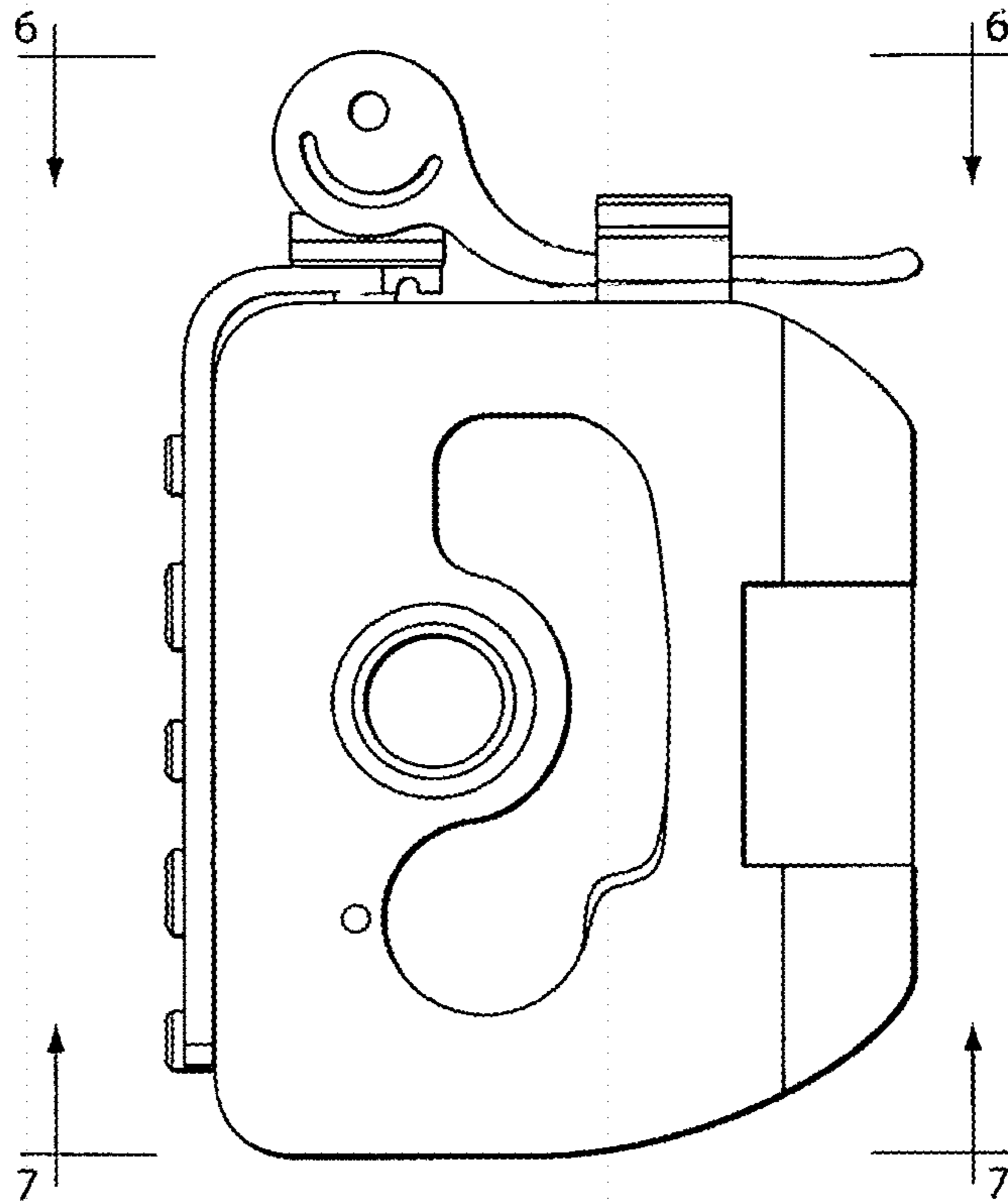


Fig. 2

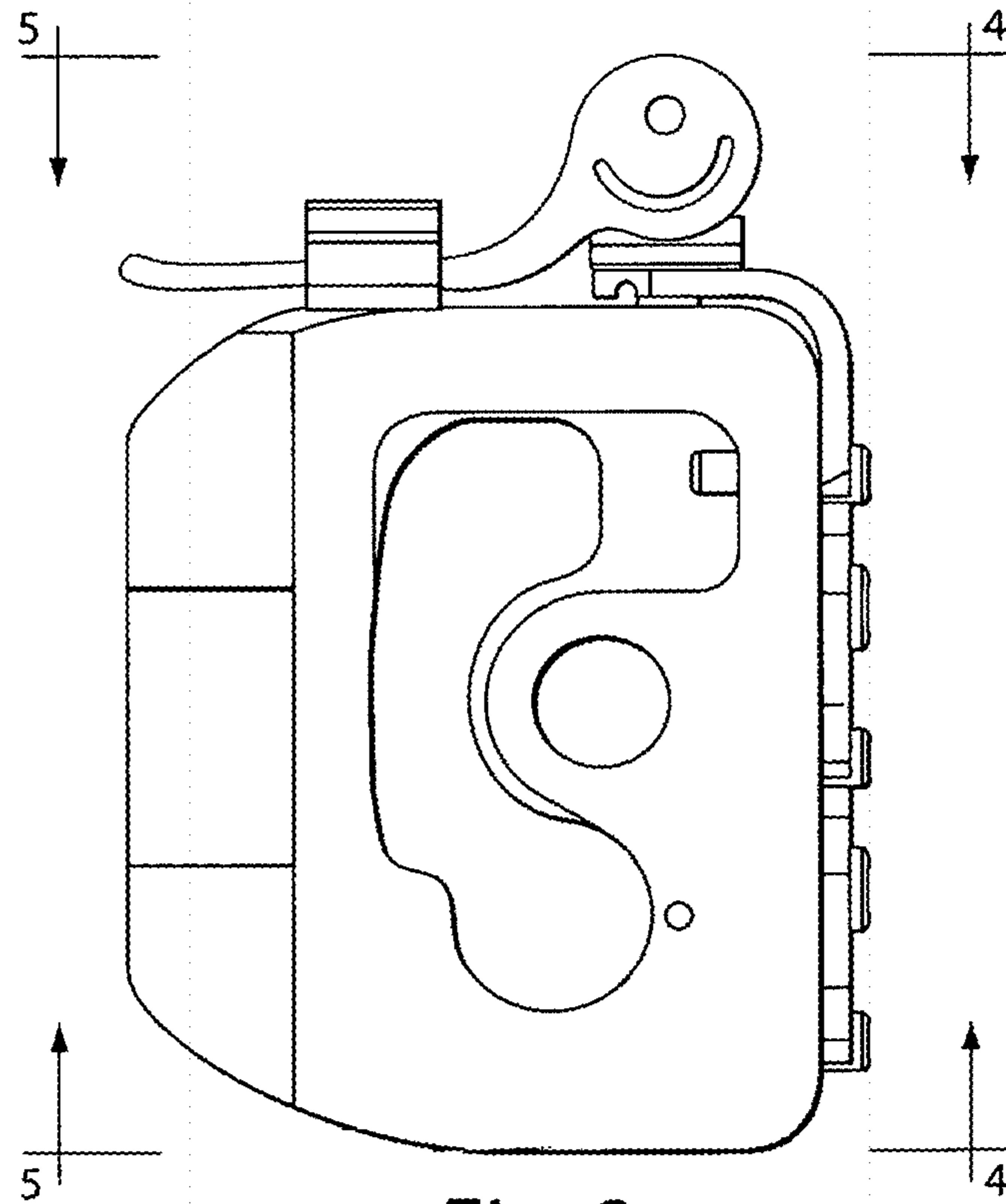


Fig. 3

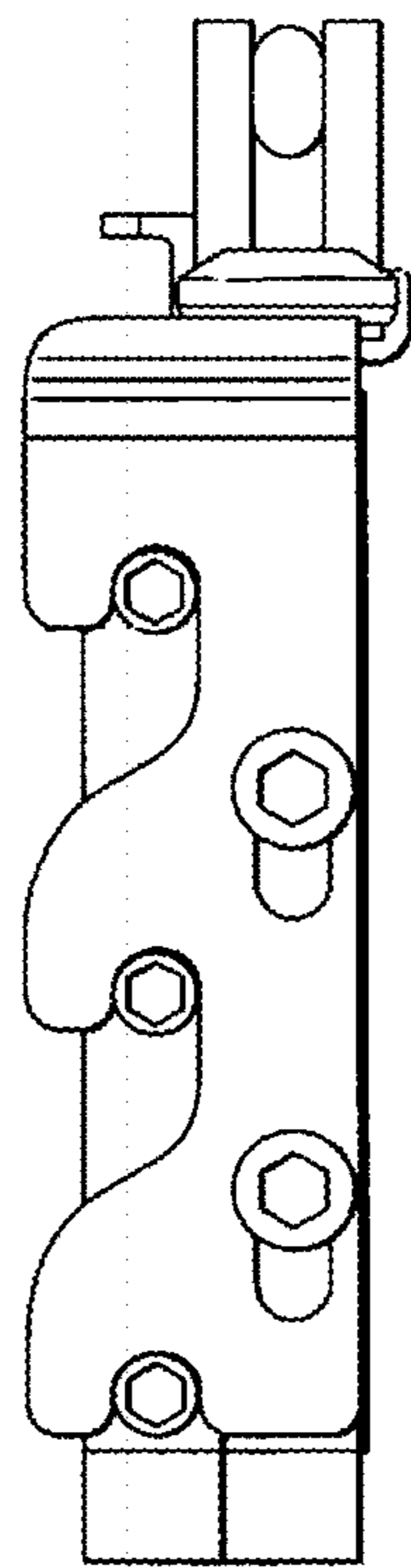


Fig. 4

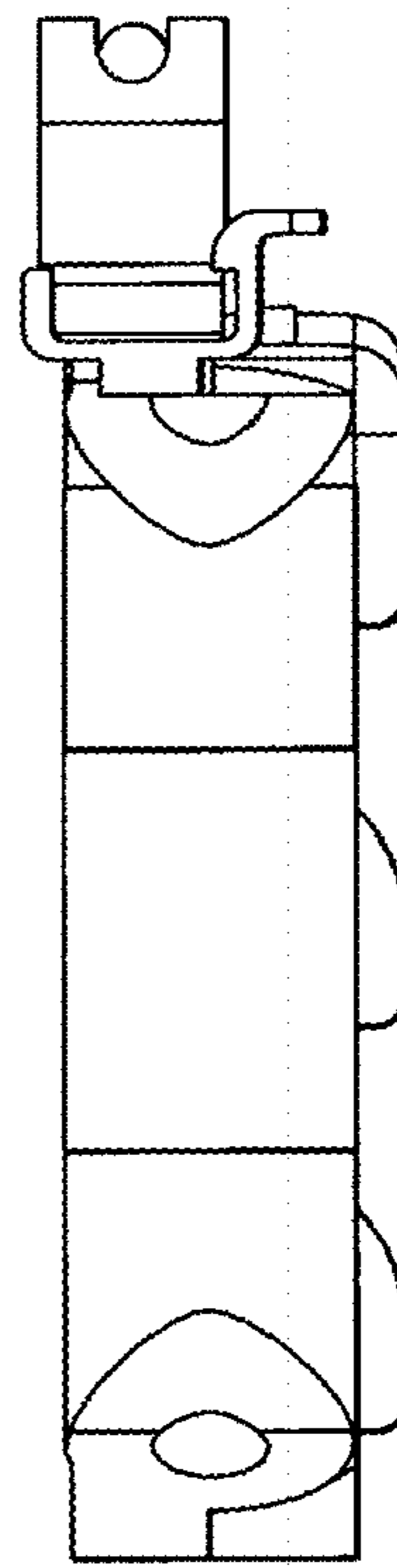


Fig. 5

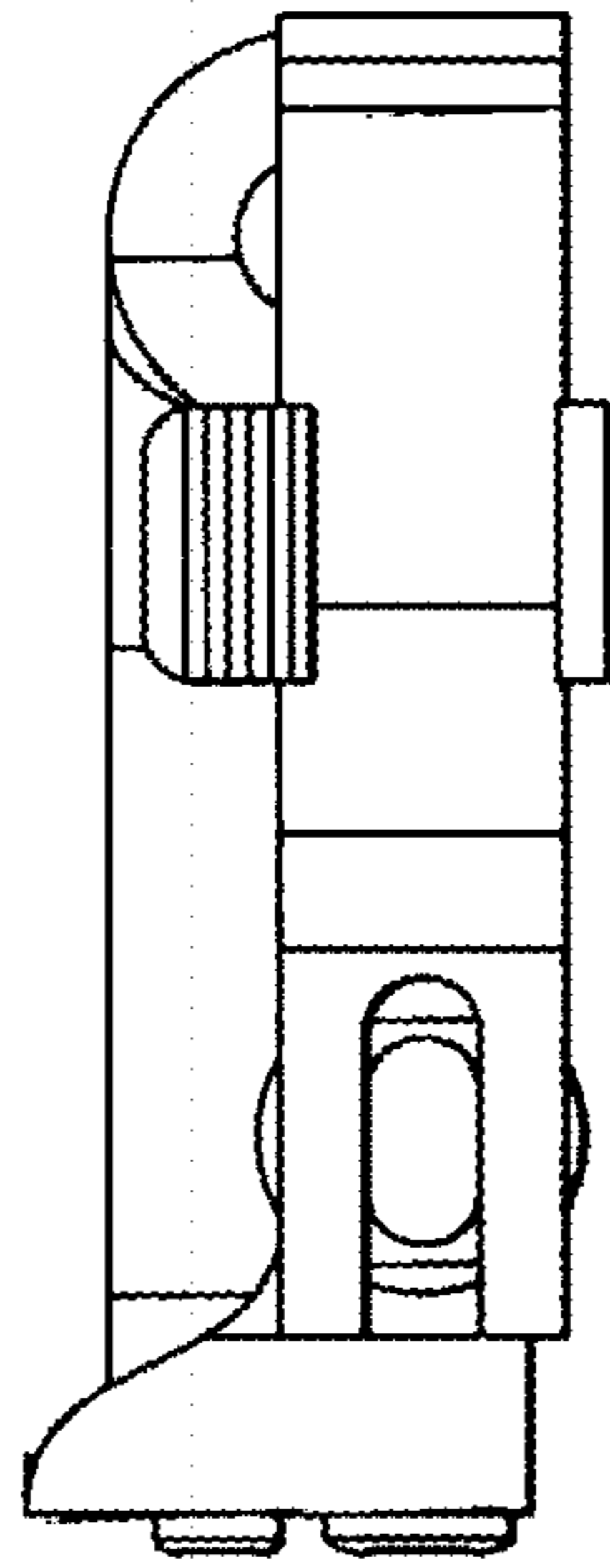


Fig. 6

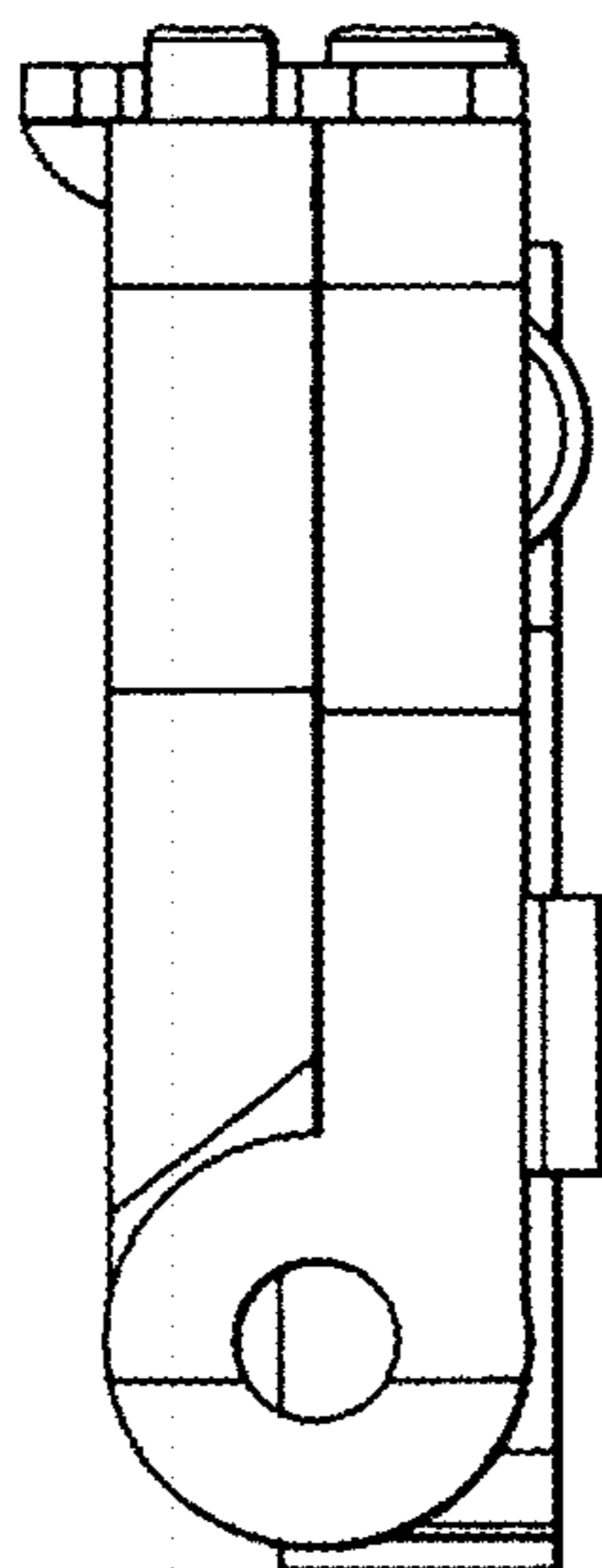


Fig. 7