



US00D762098S

(12) **United States Design Patent**
Bertani

(10) **Patent No.:** **US D762,098 S**
(45) **Date of Patent:** **** Jul. 26, 2016**

(54) **THREE-ARM KNOB**
(71) Applicant: **ELESA S.P.A.**, Milan (IT)
(72) Inventor: **Alberto Bertani**, Monza (IT)
(**) Term: **15 Years**
(21) Appl. No.: **35/500,488**
(22) Filed: **Jun. 15, 2015**

D190,597 S * 6/1961 Nelson D23/250
D269,409 S * 6/1983 Ferdinand D8/307
5,355,539 A * 10/1994 Boettger A61G 5/10
24/265 C
D409,156 S * 5/1999 Taylor D13/174
D434,115 S * 11/2000 Meda D23/252
D434,475 S * 11/2000 Meda D23/252
D462,111 S * 8/2002 Turnau, III D23/252
D464,248 S * 10/2002 Laabs D8/341
D464,249 S * 10/2002 Laabs D8/343
D644,085 S * 8/2011 Jungen D8/307
D657,654 S * 4/2012 Matsumiya D8/312

* cited by examiner

(80) **Hague Agreement Data**

Int. Filing Date: **Jun. 15, 2015**
Int. Reg. No.: **DM/088843**
Int. Reg. Date: **Jun. 15, 2015**
Int. Reg. Pub. Date: **Jan. 15, 2016**

Primary Examiner — Richard E Chilcot

(51) **LOC (10) Cl.** **08-06**
(52) **U.S. Cl.**
USPC **D8/307**

(57) **CLAIM**

The ornamental design for a three-arm knob, as shown and described.

(58) **Field of Classification Search**
USPC D8/300–316, 394–397; D7/393–396,
D7/405; D13/173–174; D23/249–252;
4/355, 369, 675, 676, 678, 679;
5/503.1; 16/110.1, 111.1, 417, 430;
248/534, 541
See application file for complete search history.

DESCRIPTION

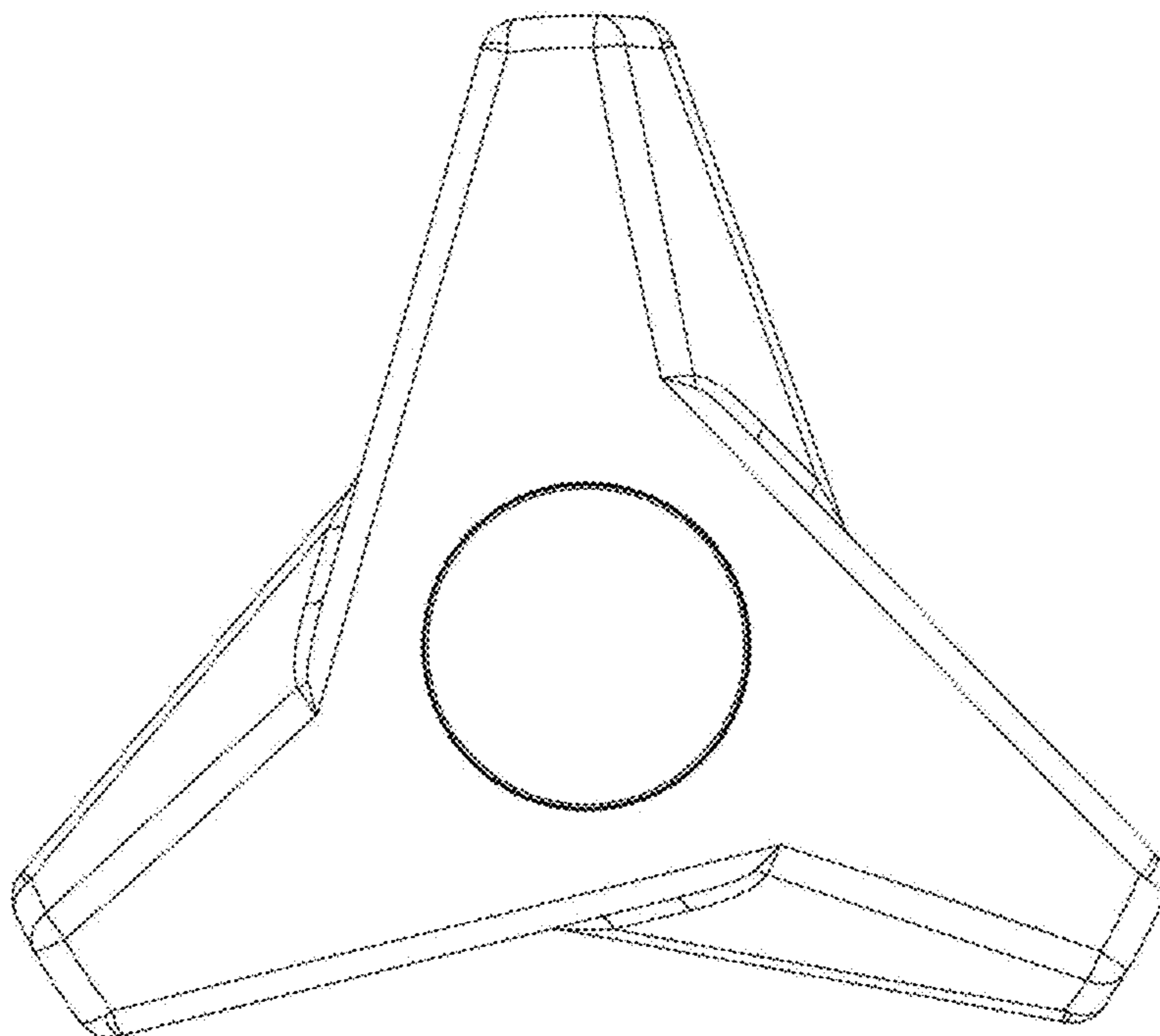
- 1. Three-arm knob
- 1.1 is a bottom view of the threearm knob;
- 1.2 is a side view of the threearm knob;
- 1.3 is another side view of the threearm knob;
- 1.4 is a top view of the threearm knob;
- 1.5 is another side view of the threearm knob;
- 1.6 is a further side view of the threearm knob; and
- 1.7 is a perspective top view of the threearm knob.

(56) **References Cited**

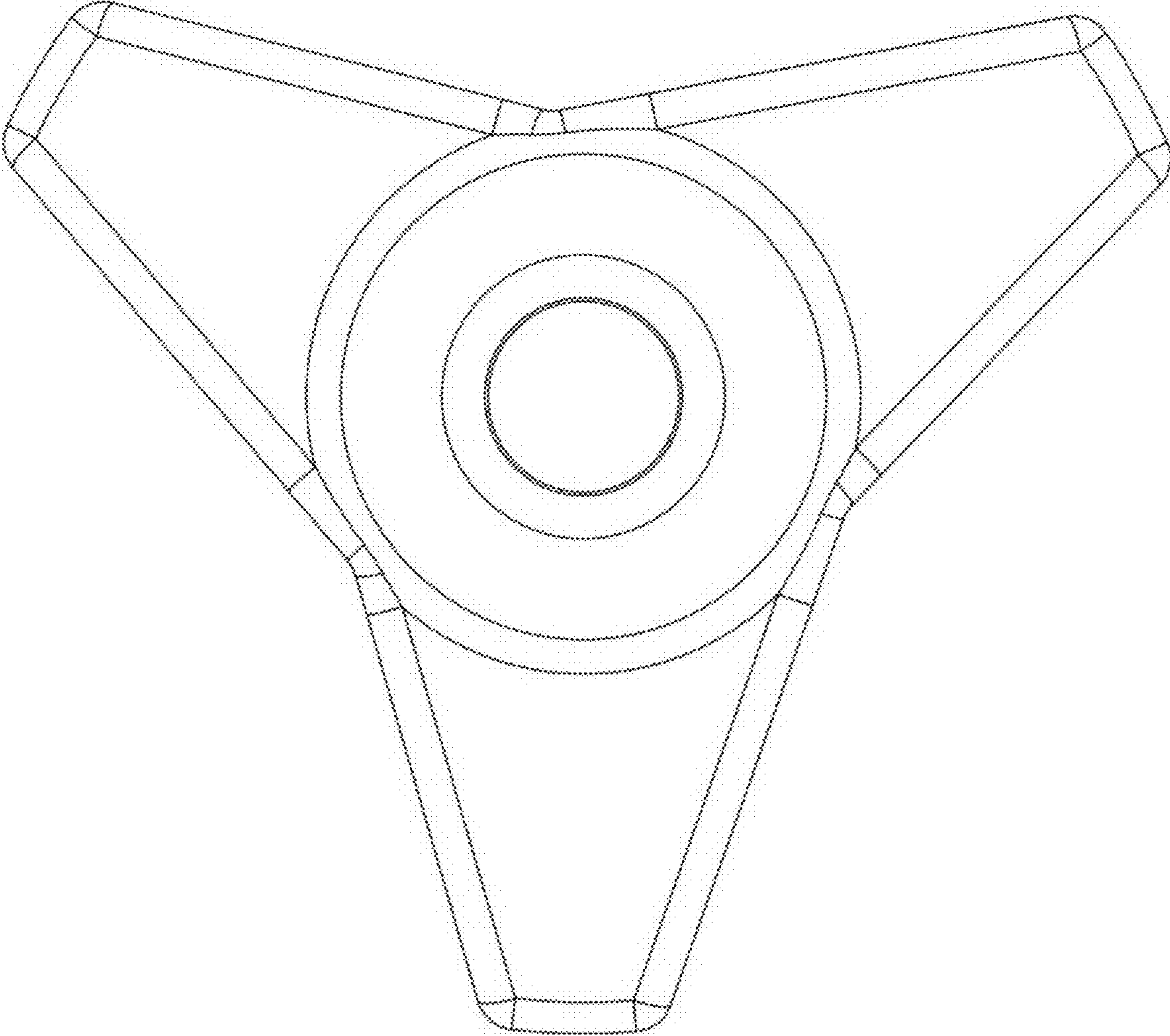
U.S. PATENT DOCUMENTS

D127,735 S * 6/1941 Dreyfuss 74/553

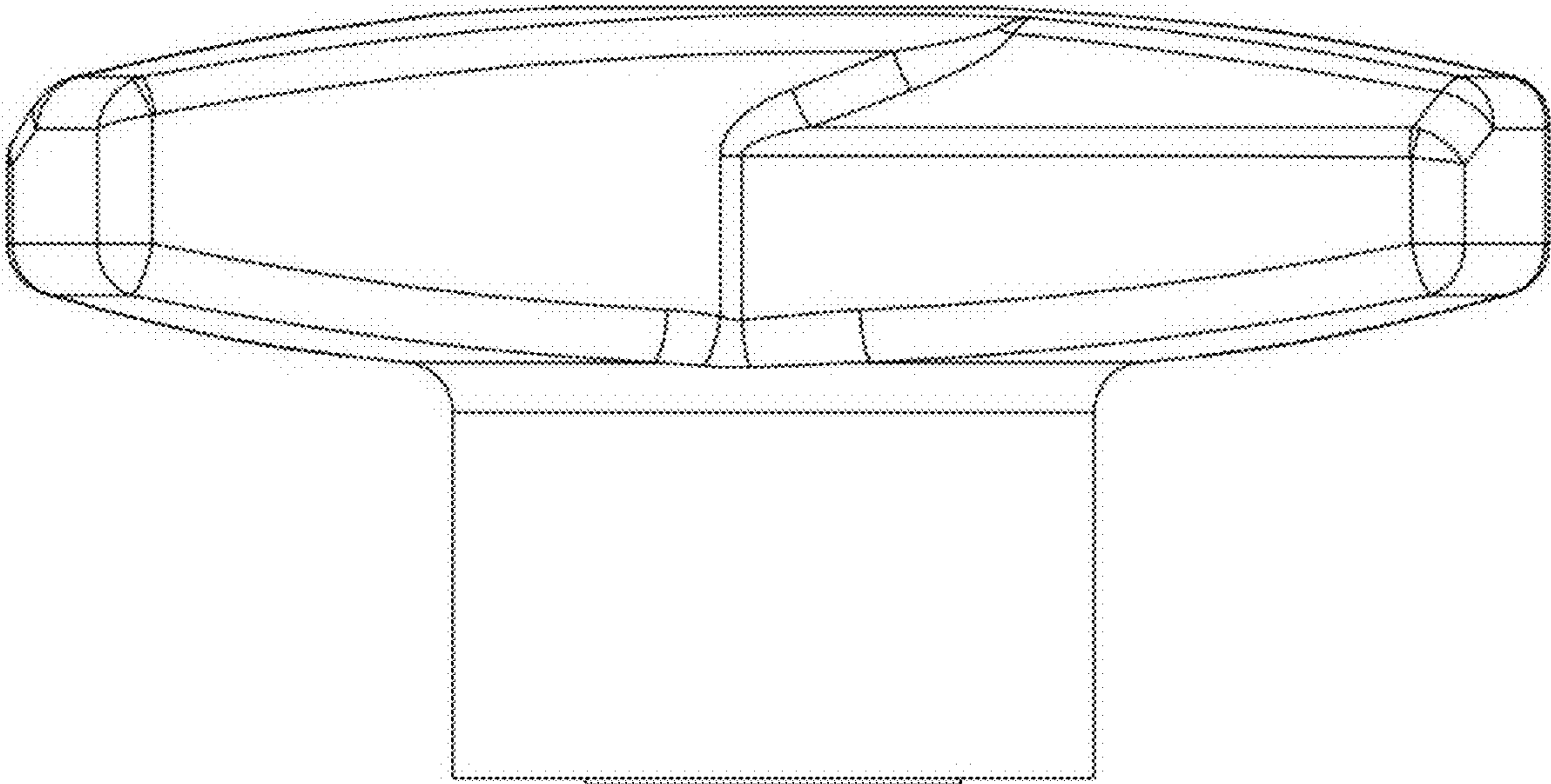
1 Claim, 7 Drawing Sheets



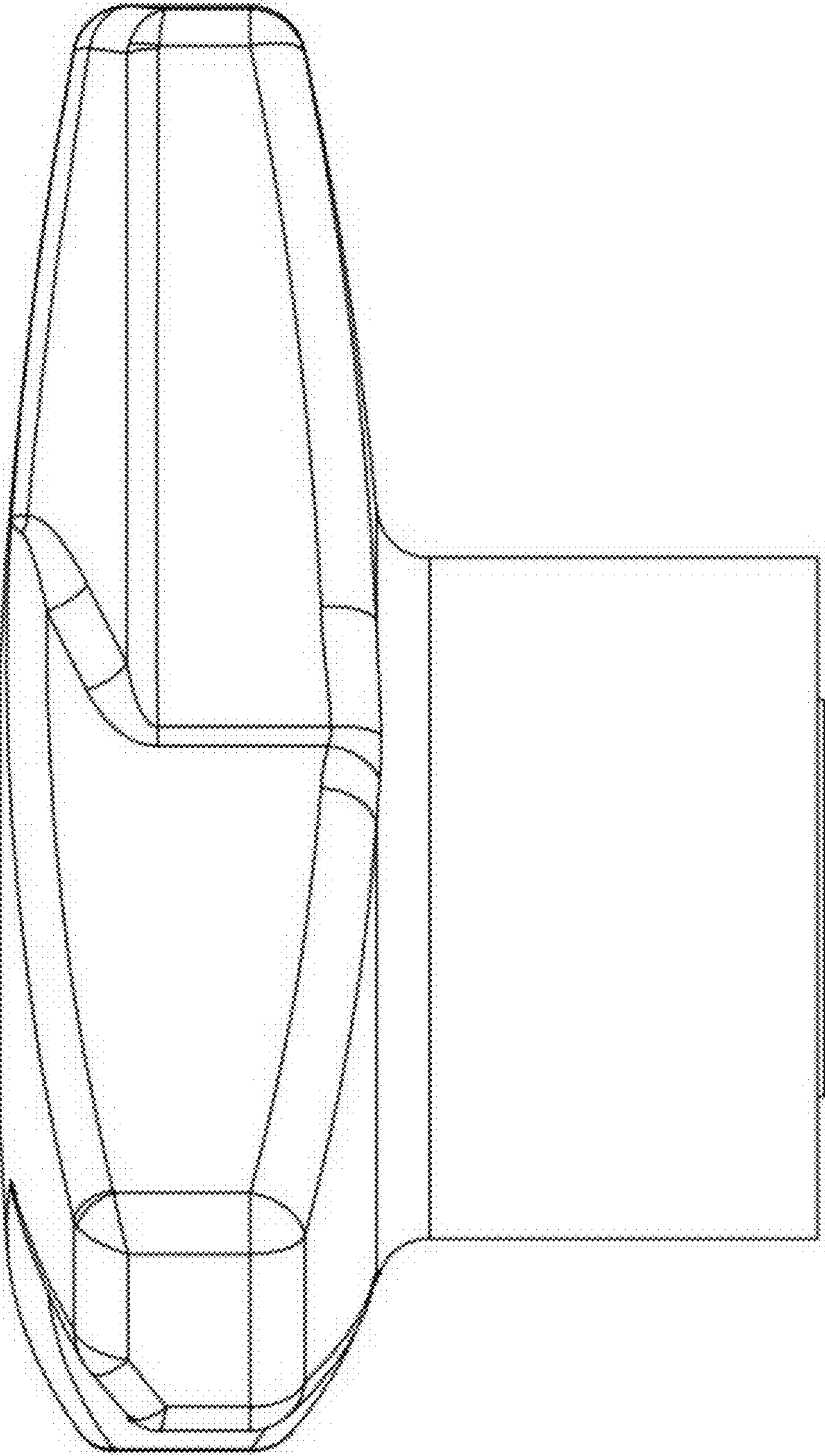
1.1



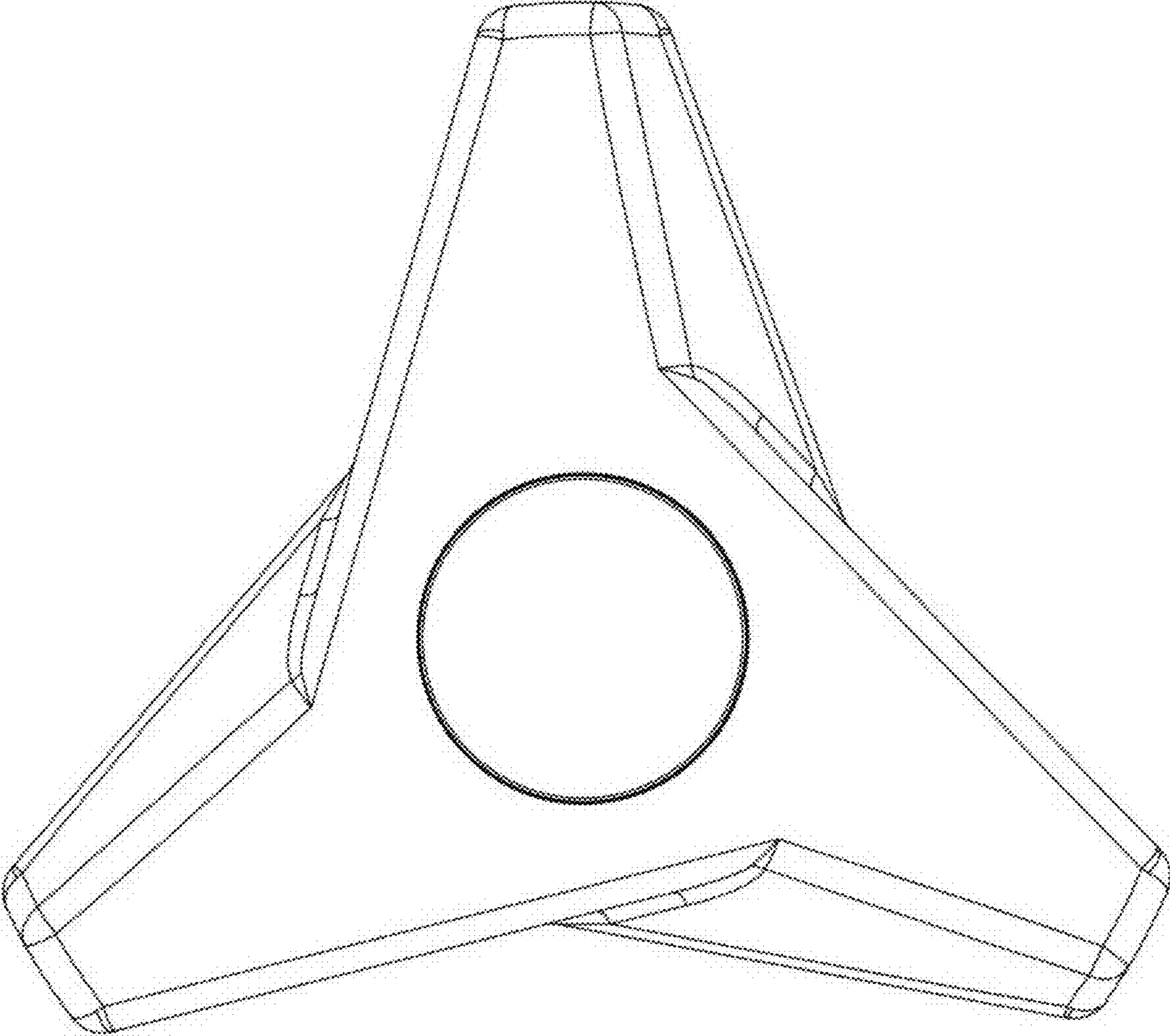
1.2



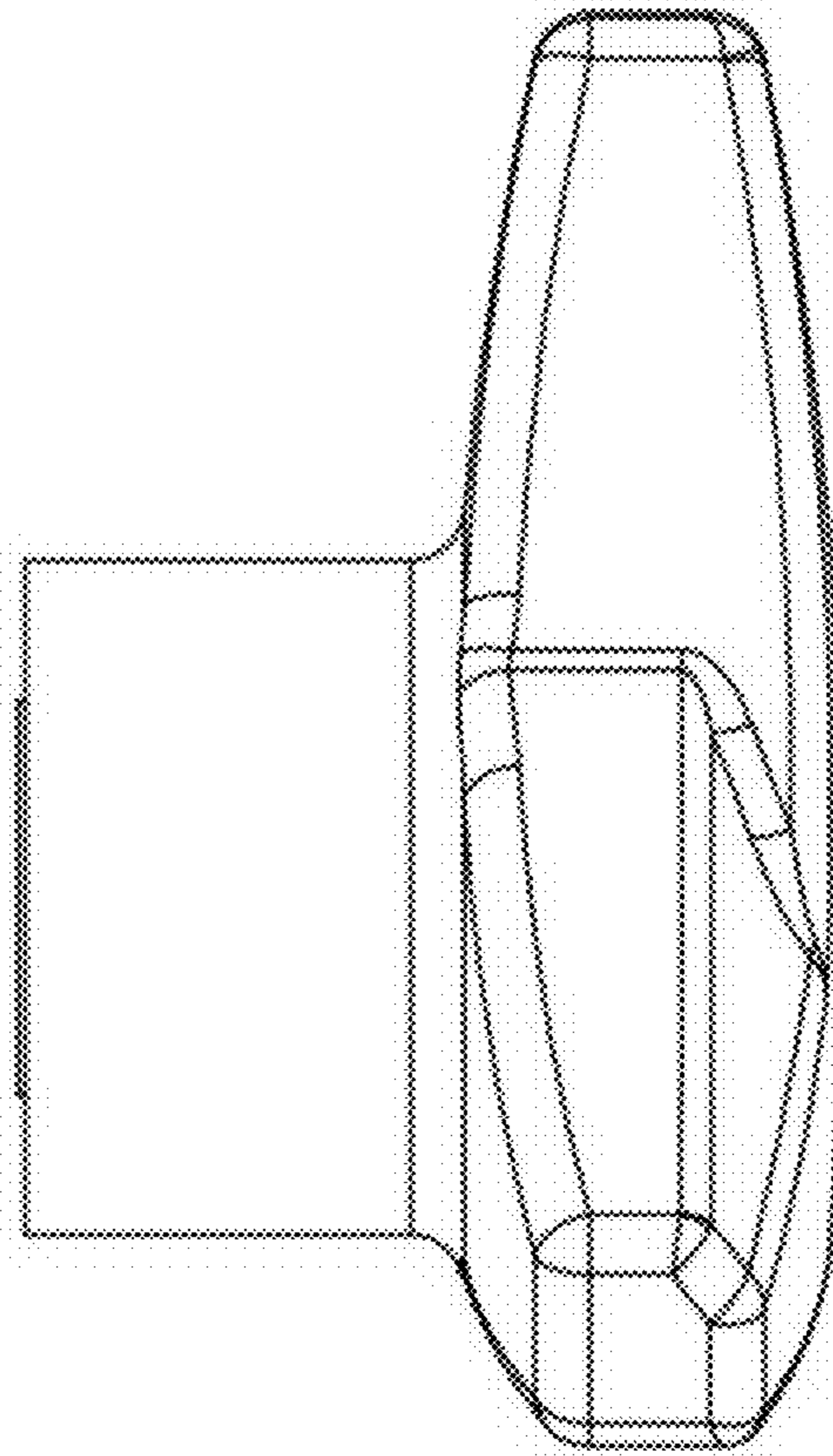
1.3



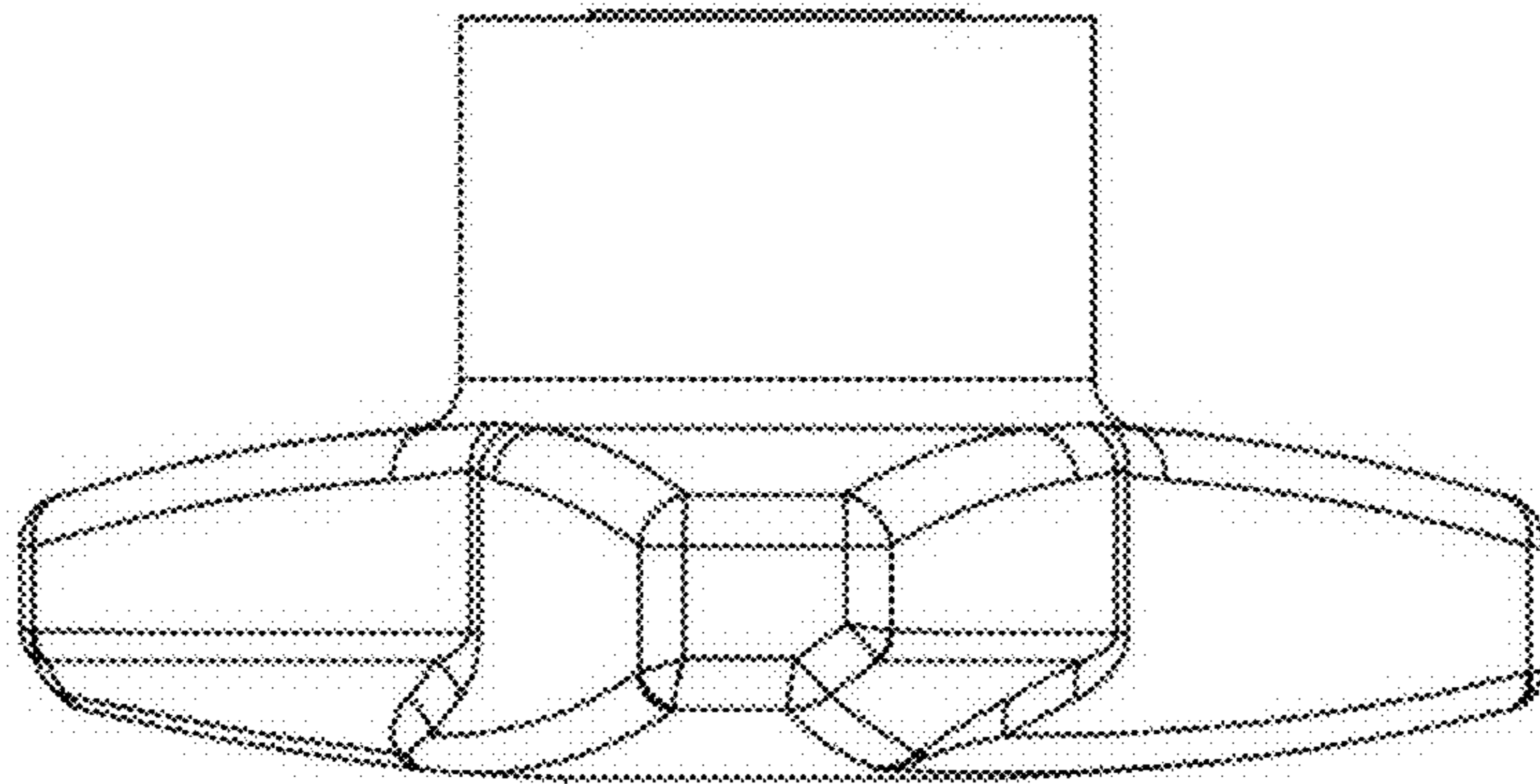
1.4



1.5



1.6



1.7

