

US00D762096S

(12) **United States Design Patent**  
**Wilson**

(10) **Patent No.:** **US D762,096 S**  
(45) **Date of Patent:** **\*\* Jul. 26, 2016**

(54) **TOOL SYSTEM FOR HAMMER UNION**  
(71) Applicant: **Concentric Pipe and Tool Rentals, LLC, Harvey, LA (US)**  
(72) Inventor: **David Wilson, Lafayette, LA (US)**  
(73) Assignee: **Concentric Pipe and Tool Rentals, LLC, Harvey, LA (US)**  
(\*\*) Term: **14 Years**  
(21) Appl. No.: **29/500,706**  
(22) Filed: **Aug. 27, 2014**  
(51) **LOC (10) Cl.** ..... **08-05**  
(52) **U.S. Cl.**  
USPC ..... **D8/21; D8/27**  
(58) **Field of Classification Search**  
USPC ..... D8/21-29; 81/177.1, 177.85, 121.1, 81/124.3, 165-170, 110.1, 176.2, 124.6, 81/176.1, 176.15, 177.2; 16/110.1  
CPC ..... B25B 1/00; B25B 19/00; B25B 27/00  
See application file for complete search history.

2,830,480 A \* 4/1958 Brame ..... B25B 13/02 81/176.15  
4,597,123 A \* 7/1986 Cobe, Jr. .... B25C 11/00 7/138  
4,848,195 A \* 7/1989 Hockenbery ..... B25B 13/02 81/176.15  
6,044,732 A \* 4/2000 Astle ..... B25B 13/48 81/124.2  
6,279,427 B1 \* 8/2001 Francis ..... B25B 21/005 81/57.39  
6,298,754 B1 \* 10/2001 Brown ..... B25B 13/48 7/138  
8,353,229 B1 \* 1/2013 Muhareb ..... B25B 13/08 81/55  
D694,078 S \* 11/2013 Dumaine ..... D8/21

\* cited by examiner

*Primary Examiner* — Randall Gholson  
(74) *Attorney, Agent, or Firm* — Jones Walker LLP

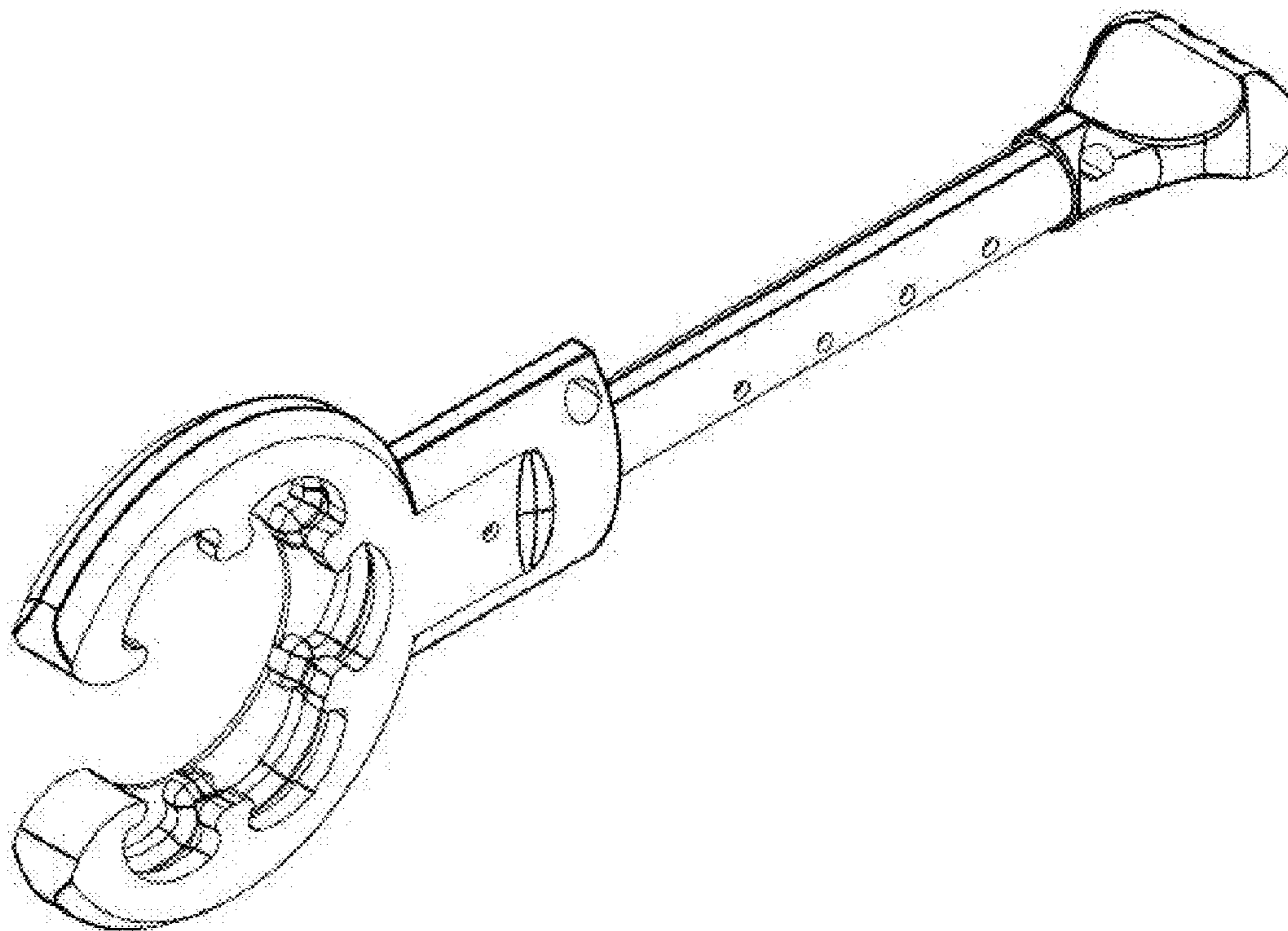
(57) **CLAIM**  
I claim the ornamental design for a tool system for hammer union, as shown.

**DESCRIPTION**

FIG. 1 is a front-side perspective view of the tool system for hammer union showing my new design; FIG. 2 is a top side perspective view thereof; and, FIG. 3 is a bottom side perspective view thereof.

**1 Claim, 1 Drawing Sheet**

(56) **References Cited**  
U.S. PATENT DOCUMENTS  
1,387,867 A \* 8/1921 Reed ..... E21B 19/161 81/116  
D175,493 S \* 9/1955 Brane ..... D8/27



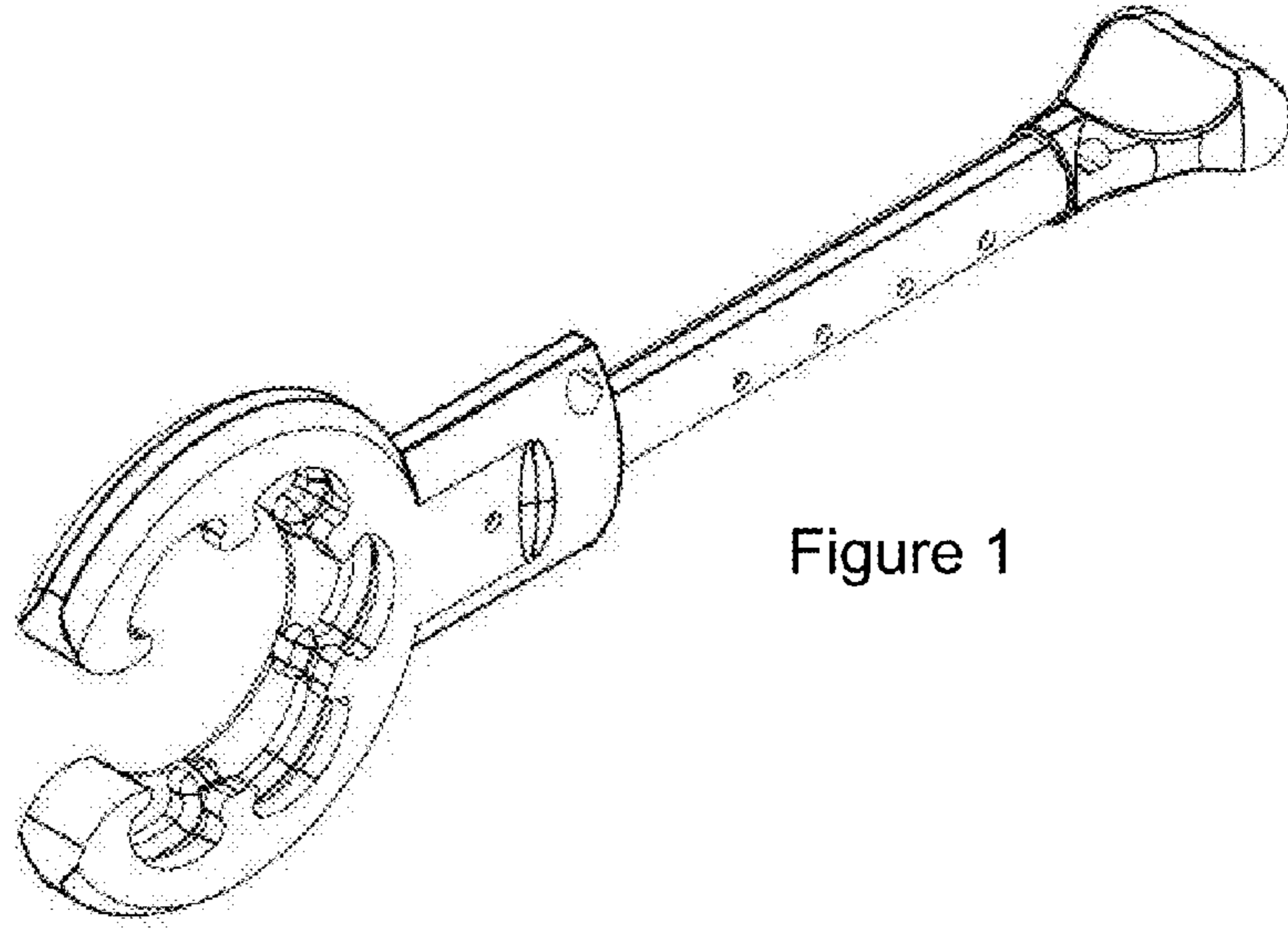


Figure 1

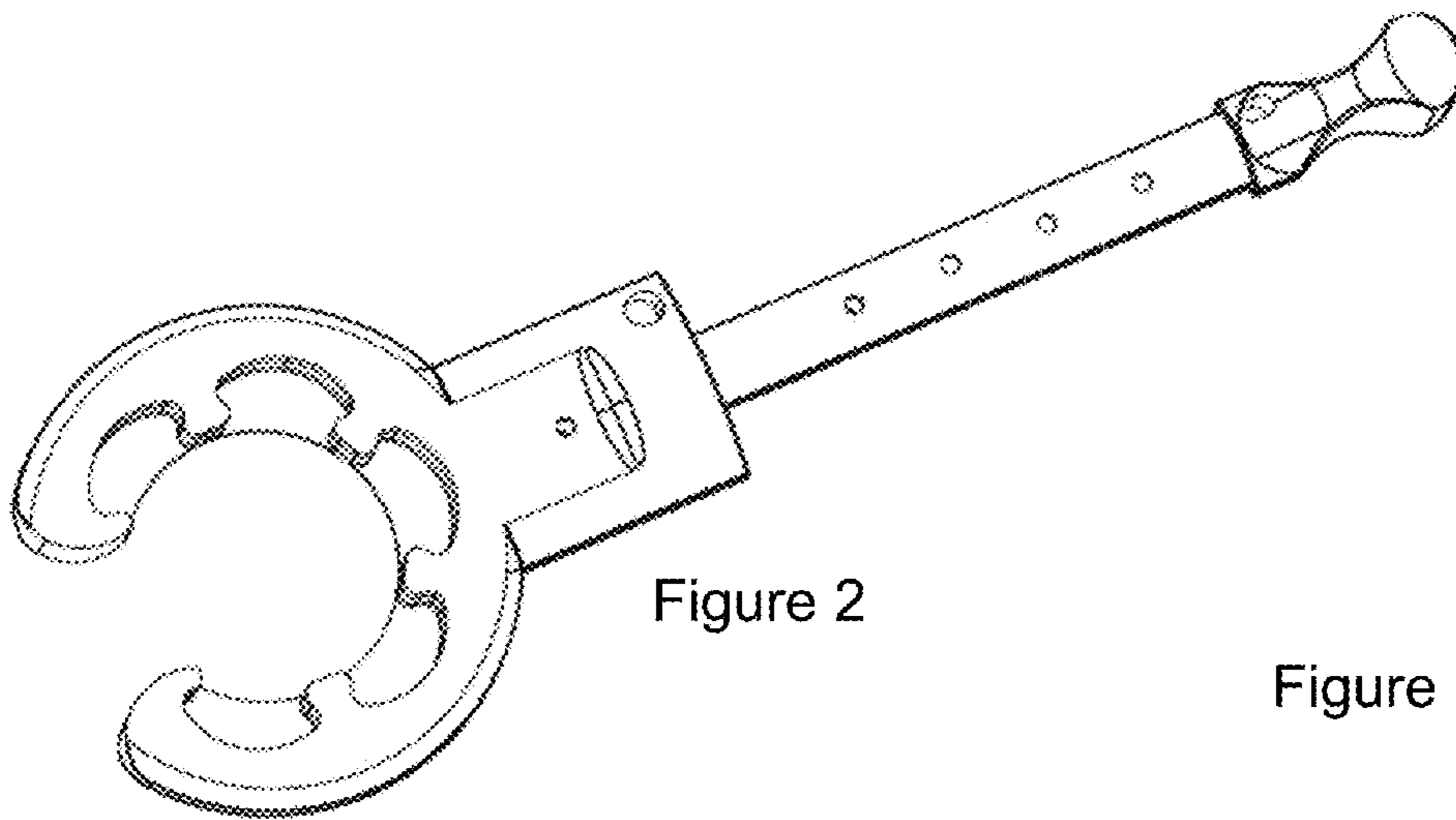


Figure 2

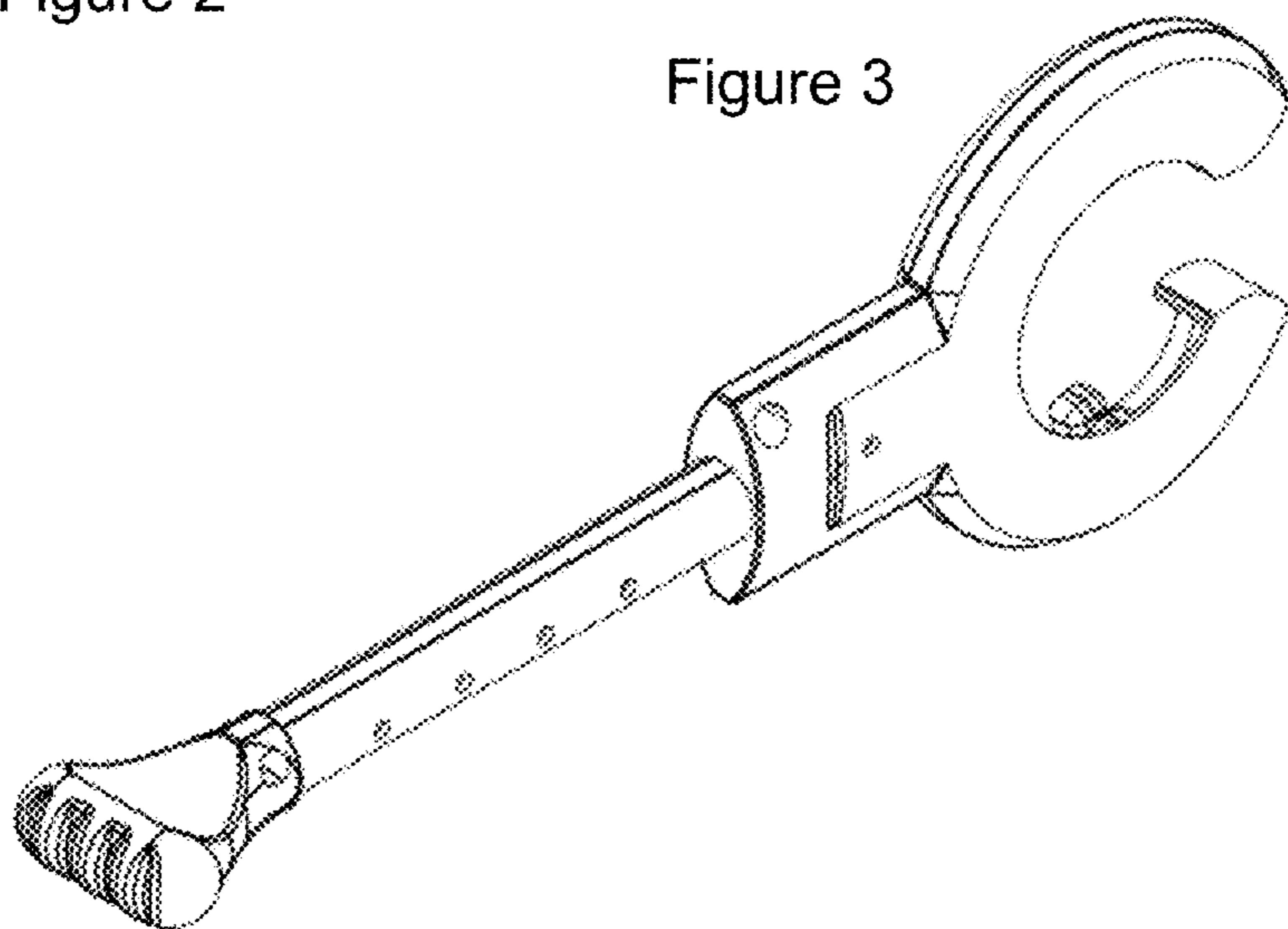


Figure 3