



US00D762094S

(12) **United States Design Patent**
Deville

(10) **Patent No.:** **US D762,094 S**
(45) **Date of Patent:** **** Jul. 26, 2016**

(54) **SHEARS**
(71) Applicant: **DEVILLE S.A.**, Bauge (FR)
(72) Inventor: **Antoine Deville**, Le Viel-Bauge (FR)
(73) Assignee: **Deville S.A.**, Bauge (FR)
(**) Term: **15 Years**

D464,543 S * 10/2002 Deville D8/5
D467,139 S * 12/2002 Deville D8/5
D478,255 S * 8/2003 Deville D8/5
D501,765 S * 2/2005 Tatic D8/5
D502,068 S * 2/2005 Tatic D8/5
D606,816 S * 12/2009 Deville D8/5
D646,534 S * 10/2011 Deville D8/5
2011/0203117 A1 * 8/2011 Huang A01G 3/0251
30/254
2012/0186087 A1 * 7/2012 Huang A01G 3/0251
30/252

(21) Appl. No.: **29/527,440**
(22) Filed: **May 19, 2015**
(51) **LOC (10) Cl.** **08-01**
(52) **U.S. Cl.**
USPC **D8/5**
(58) **Field of Classification Search**
USPC D8/4, 5, 51, 52, 53, 54, 55, 56, 58, 105,
D8/107; D21/532
CPC B26B 13/00; B26B 13/06; B26B 13/14;
B26B 13/20; A01G 3/02; A01G 3/025;
A01G 3/021
See application file for complete search history.

* cited by examiner

Primary Examiner — Sheryl Lane
Assistant Examiner — Ieisha Price

(74) *Attorney, Agent, or Firm* — Fross Zelnick Lehrman and
Zissu, P.C.; Charles T. J. Weigell, Esq.

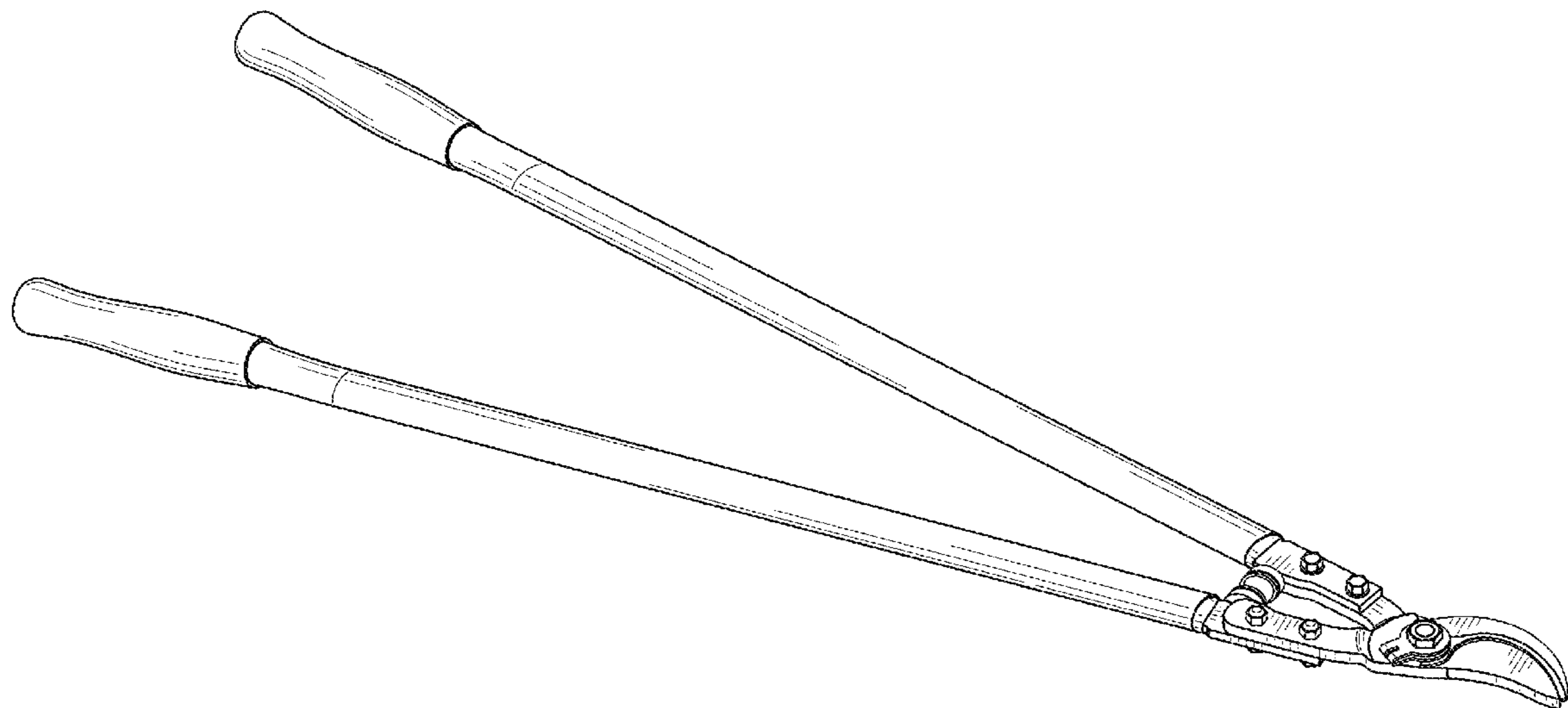
(57) **CLAIM**
The ornamental design for shears, as shown and described.

DESCRIPTION

FIG. 1 is a front perspective view of shears showing the new design;
FIG. 2 is a front side view thereof;
FIG. 3 is a rear side view thereof;
FIG. 4 is a left side view thereof;
FIG. 5 is a right side view thereof;
FIG. 6 is a top view thereof; and,
FIG. 7 is a bottom view thereof.

1 Claim, 3 Drawing Sheets

(56) **References Cited**
U.S. PATENT DOCUMENTS
D344,219 S * 2/1994 Wensley D8/5
D357,390 S * 4/1995 Thompson D8/5
D395,581 S * 6/1998 Chai D8/5
D405,663 S * 2/1999 Deville D8/5
D413,052 S * 8/1999 Staton D8/5



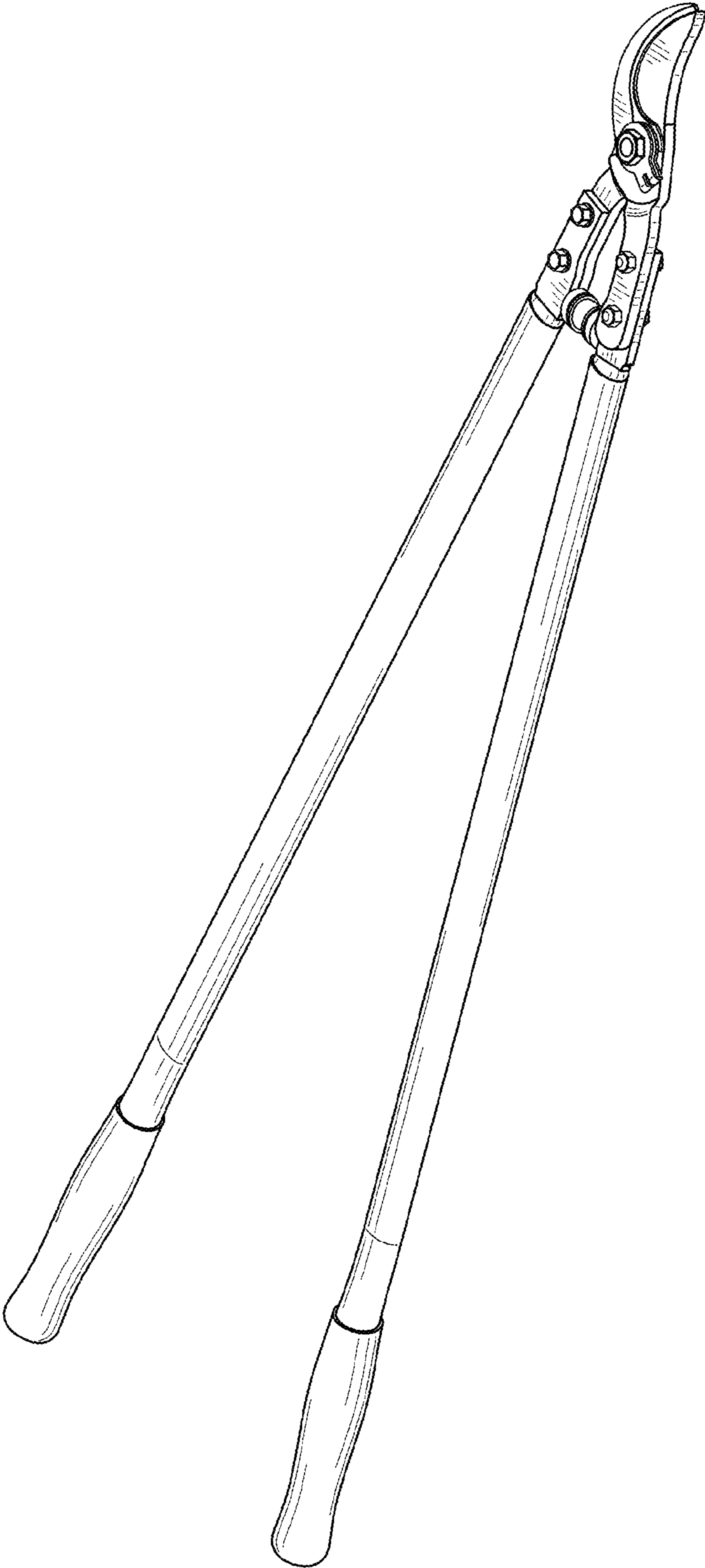


FIG. 1

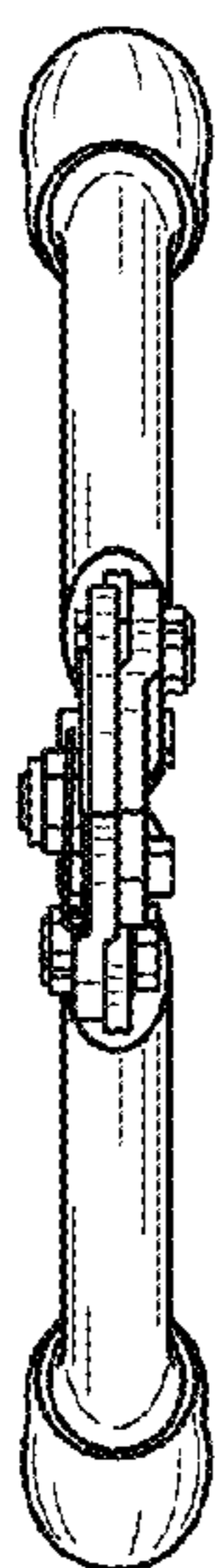


FIG. 2

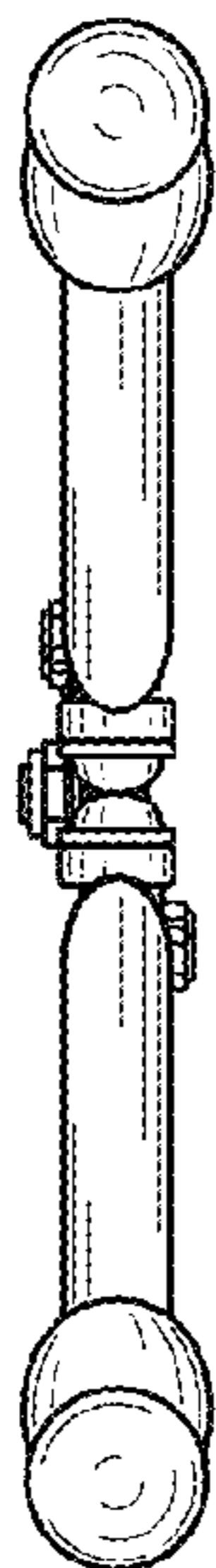


FIG. 3

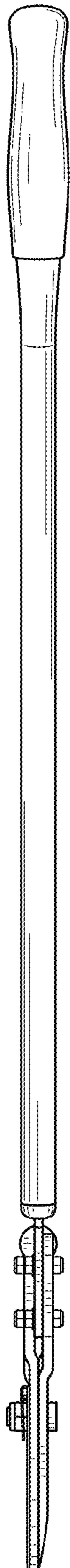


FIG. 4

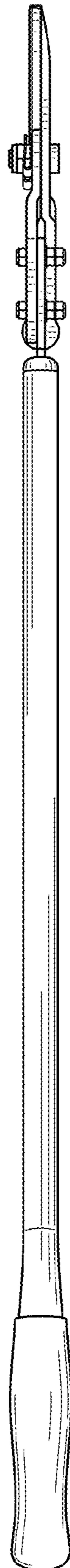


FIG. 5

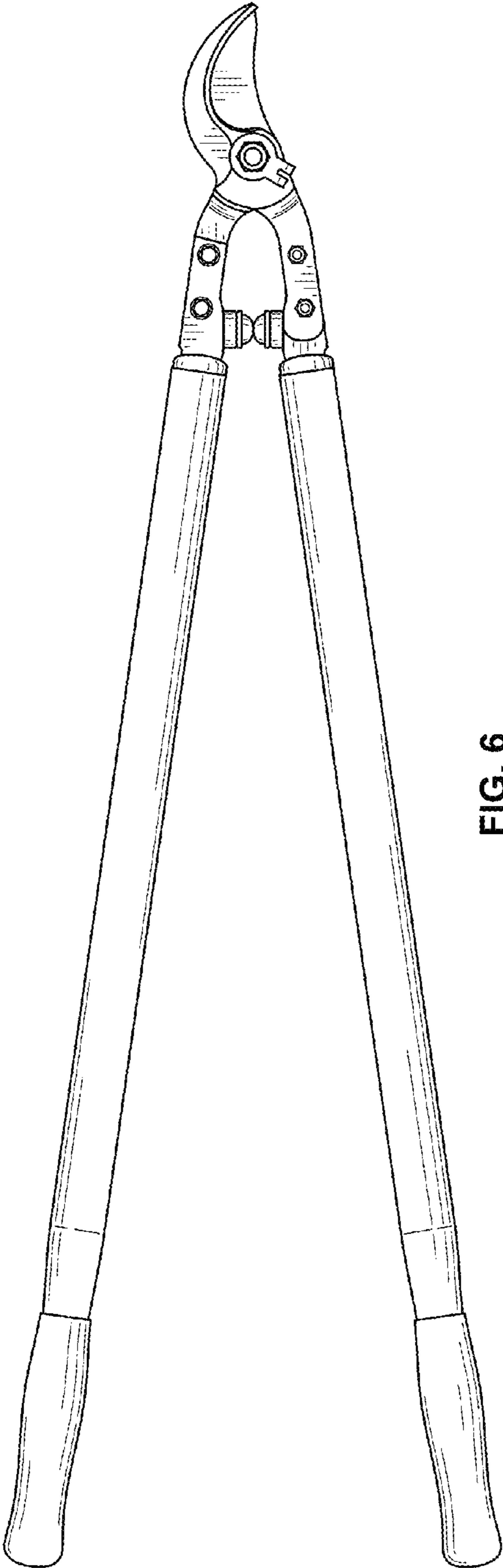


FIG. 6

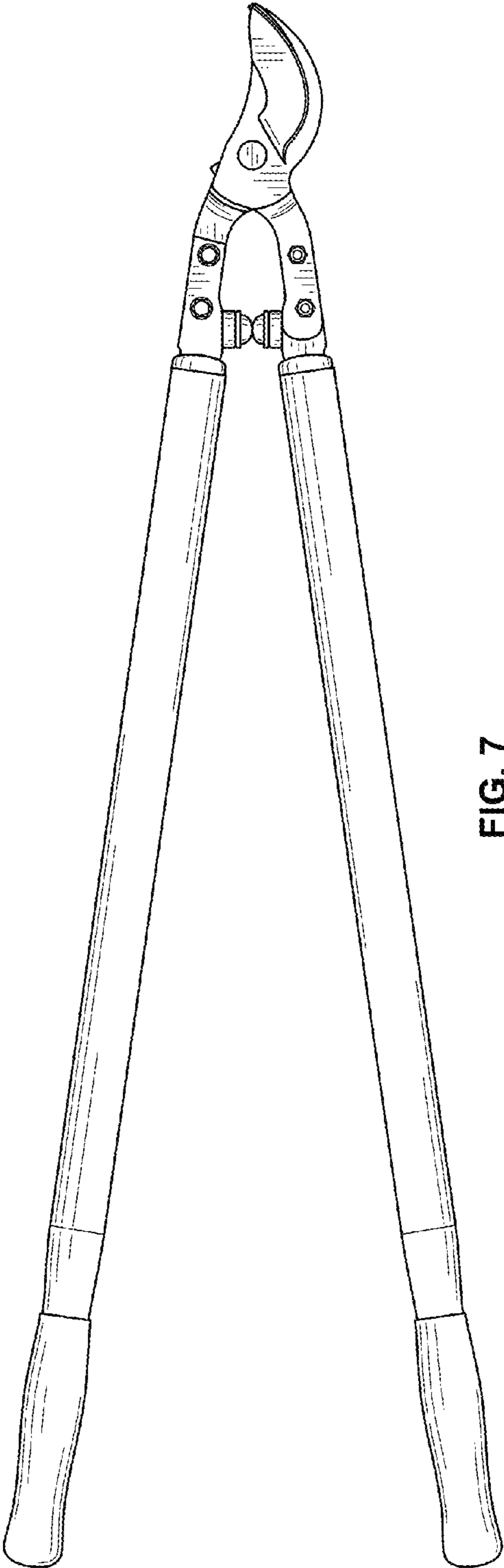


FIG. 7