

US00D762093S

(12) **United States Design Patent**  
**Wong**

(10) **Patent No.:** **US D762,093 S**  
(45) **Date of Patent:** **\*\* Jul. 26, 2016**

(54) **CORE REMOVER FOR FRUITS AND VEGETABLES**

(71) Applicant: **Yan Kwong Wong**, Kowloon (HK)

(72) Inventor: **Yan Kwong Wong**, Kowloon (HK)

(\*\*) Term: **14 Years**

(21) Appl. No.: **29/513,661**

(22) Filed: **Jan. 5, 2015**

(30) **Foreign Application Priority Data**

Jul. 7, 2014 (HK) ..... 1401260

(51) **LOC (10) Cl.** ..... **07-04**

(52) **U.S. Cl.**  
USPC ..... **D7/693**

(58) **Field of Classification Search**  
USPC ..... D7/680-696, 393, 395  
CPC ..... A47J 14/02; A47J 25/00; B26B 9/02;  
B26D 3/169; B26D 3/16  
See application file for complete search history.

(56) **References Cited**

**U.S. PATENT DOCUMENTS**

1,293,351 A \* 2/1919 Creasy ..... A47J 25/00  
30/113.1  
2,117,278 A \* 5/1938 Ainsworth ..... A47J 25/00  
30/113.1

2,263,531 A \* 11/1941 Kevorkian ..... A47J 25/00  
30/113.1  
2,683,312 A \* 7/1954 Dover ..... A47J 25/00  
30/113.1  
2,990,615 A \* 7/1961 Ohler ..... A47J 25/00  
172/21  
4,310,969 A \* 1/1982 Cannizzaro ..... A47J 25/00  
30/113.1  
D461,691 S \* 8/2002 Huang ..... D7/693  
7,836,822 B2 \* 11/2010 Cheng ..... A47J 25/00  
83/114  
D717,615 S \* 11/2014 Silberberg ..... D7/693

\* cited by examiner

*Primary Examiner* — Terry Wallace

(74) *Attorney, Agent, or Firm* — Gloria Tsui-Yip; Miskin & Tsui-Yip LLP

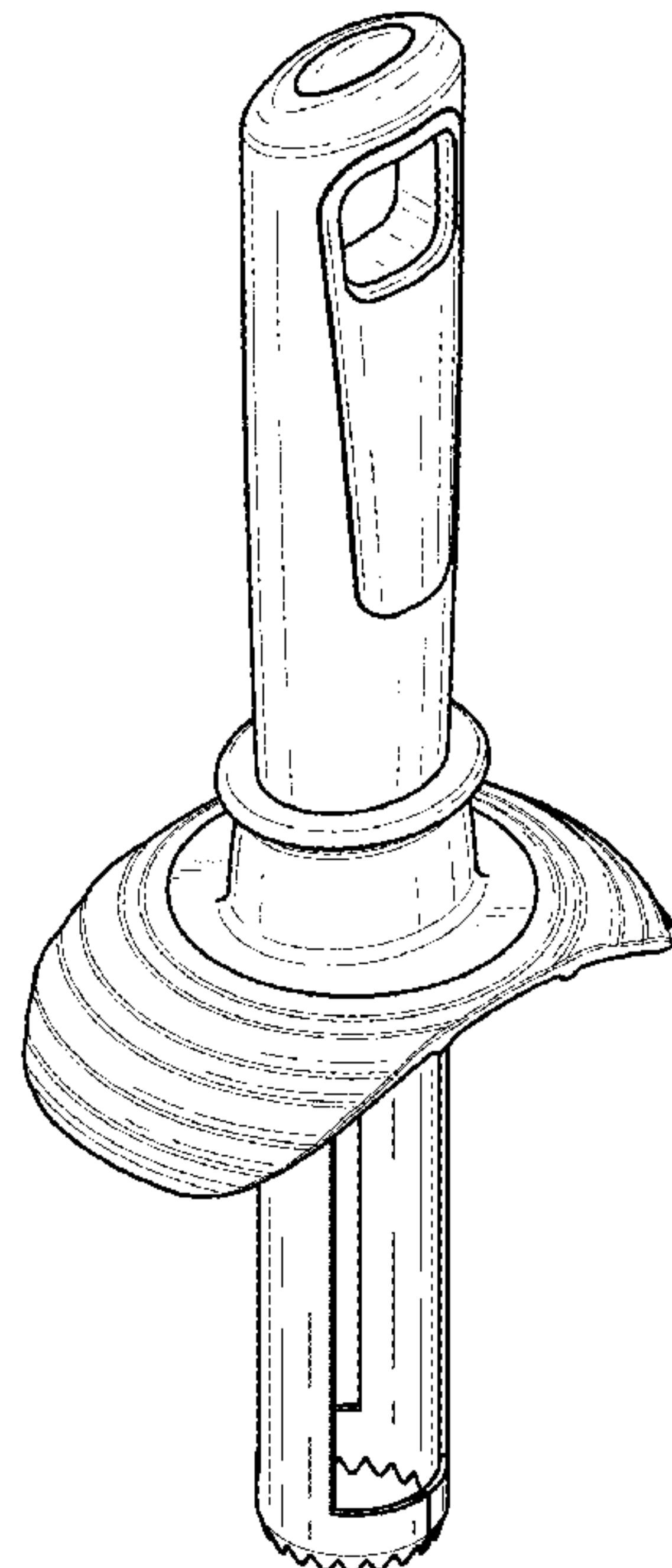
(57) **CLAIM**

The ornamental design for a core remover for fruits and vegetables, as shown and described.

**DESCRIPTION**

FIG. 1 is a front elevational view of my new design;  
FIG. 2 is a right side view thereof;  
FIG. 3 is a left side view thereof;  
FIG. 4 is a rear elevational view thereof;  
FIG. 5 is a top plan view thereof;  
FIG. 6 is a bottom plan view thereof;  
FIG. 7 is a perspective view thereof; and,  
FIG. 8 is another perspective view thereof.

**1 Claim, 7 Drawing Sheets**



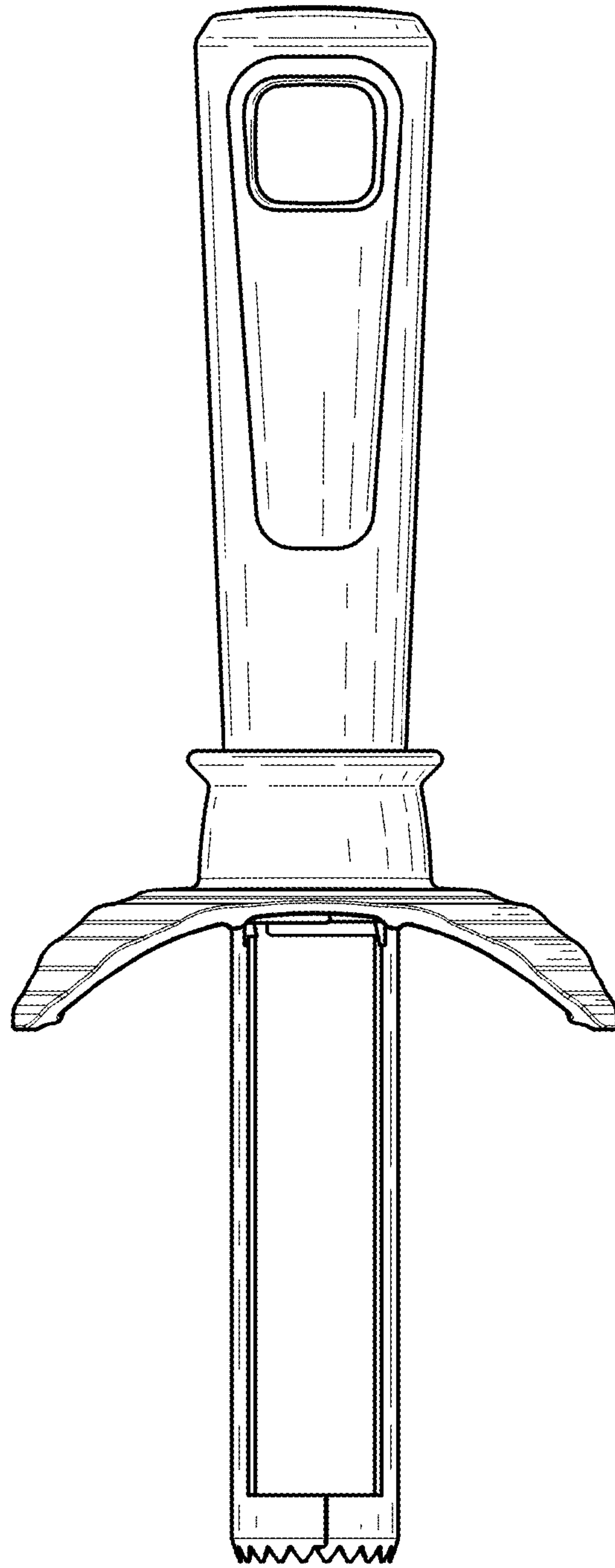


Fig.1

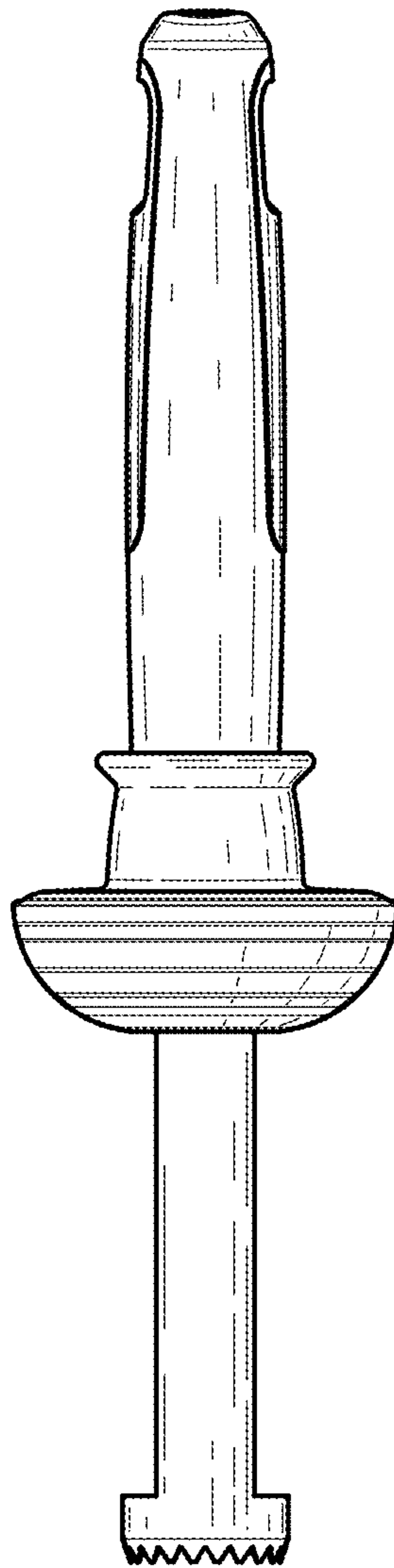


Fig.2

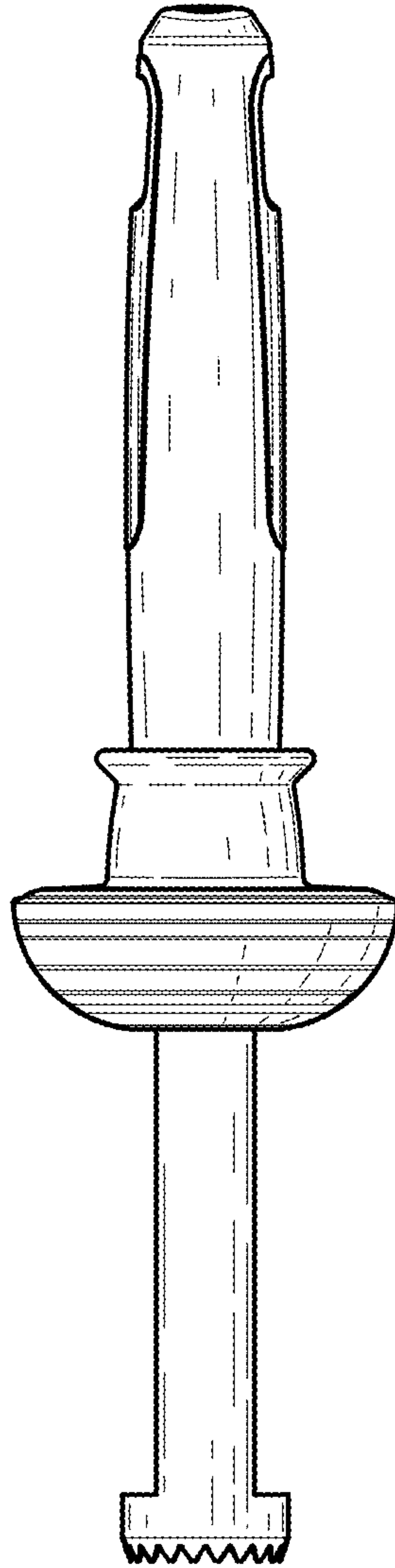


Fig.3

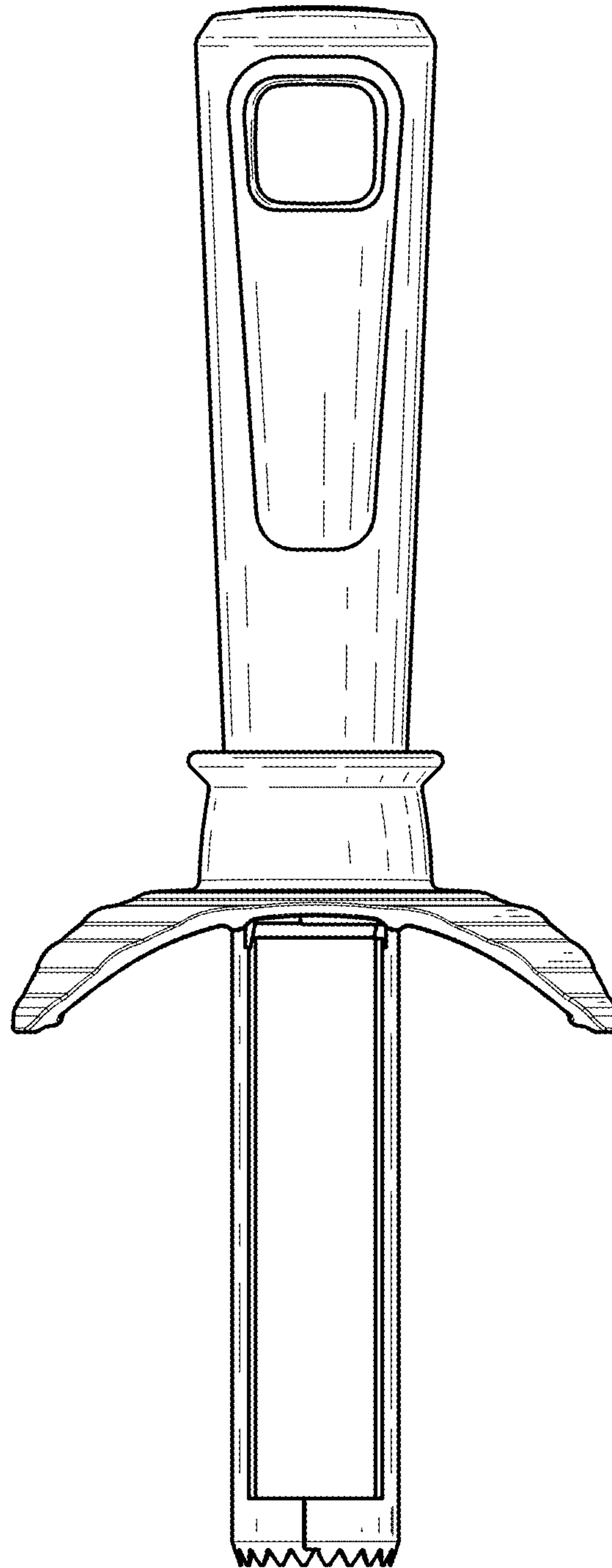


Fig.4

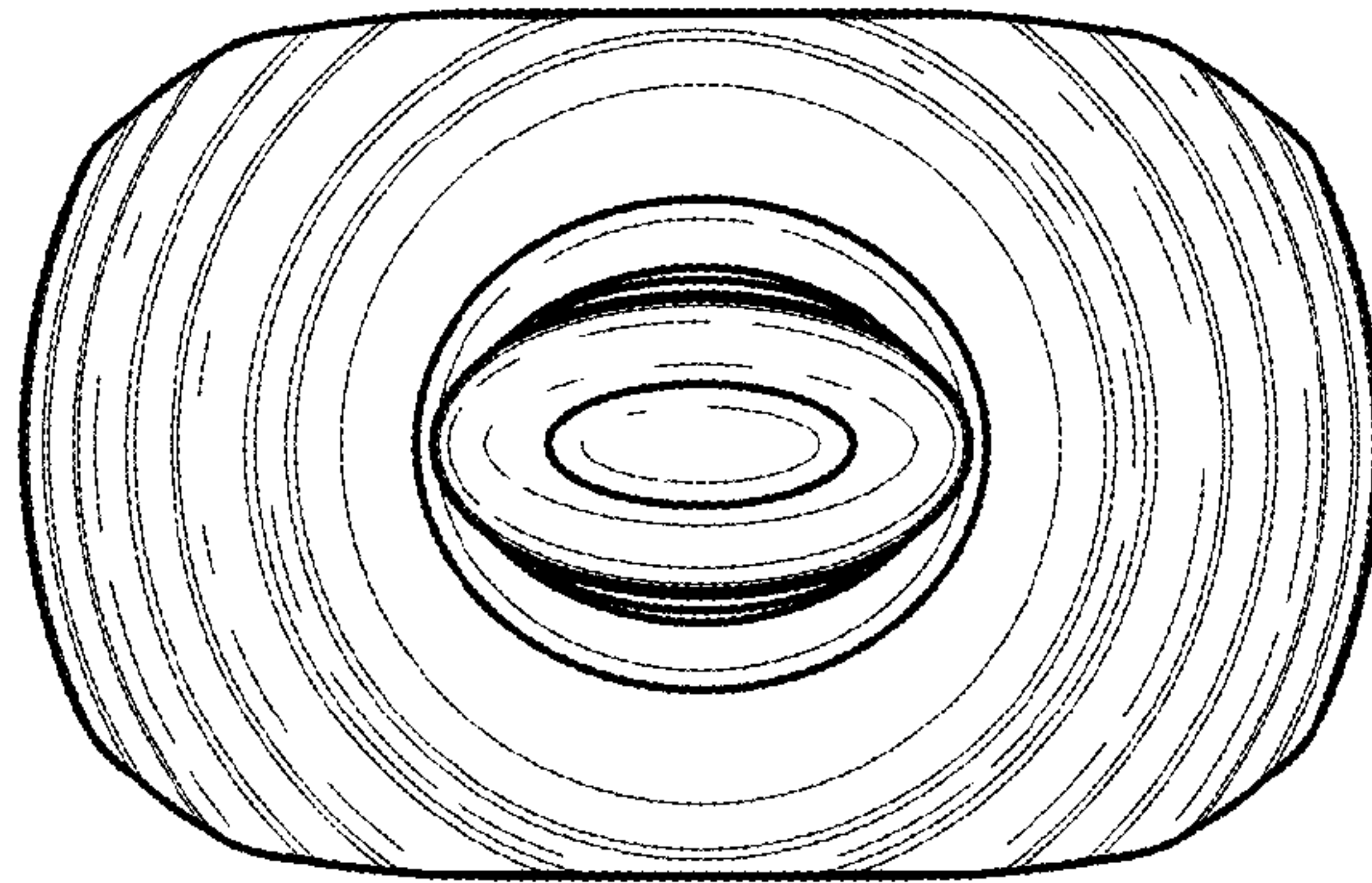


Fig.5

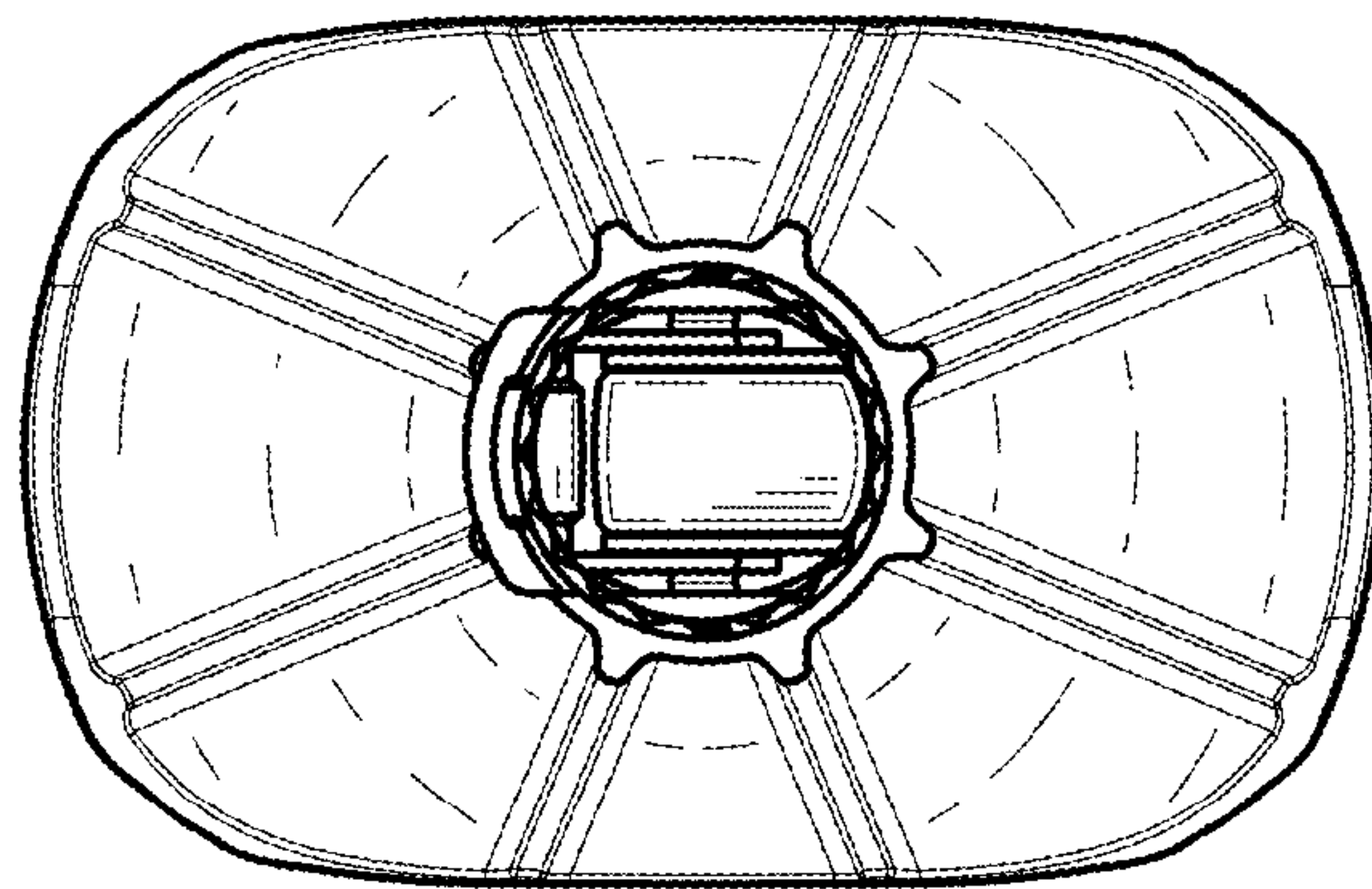


Fig.6

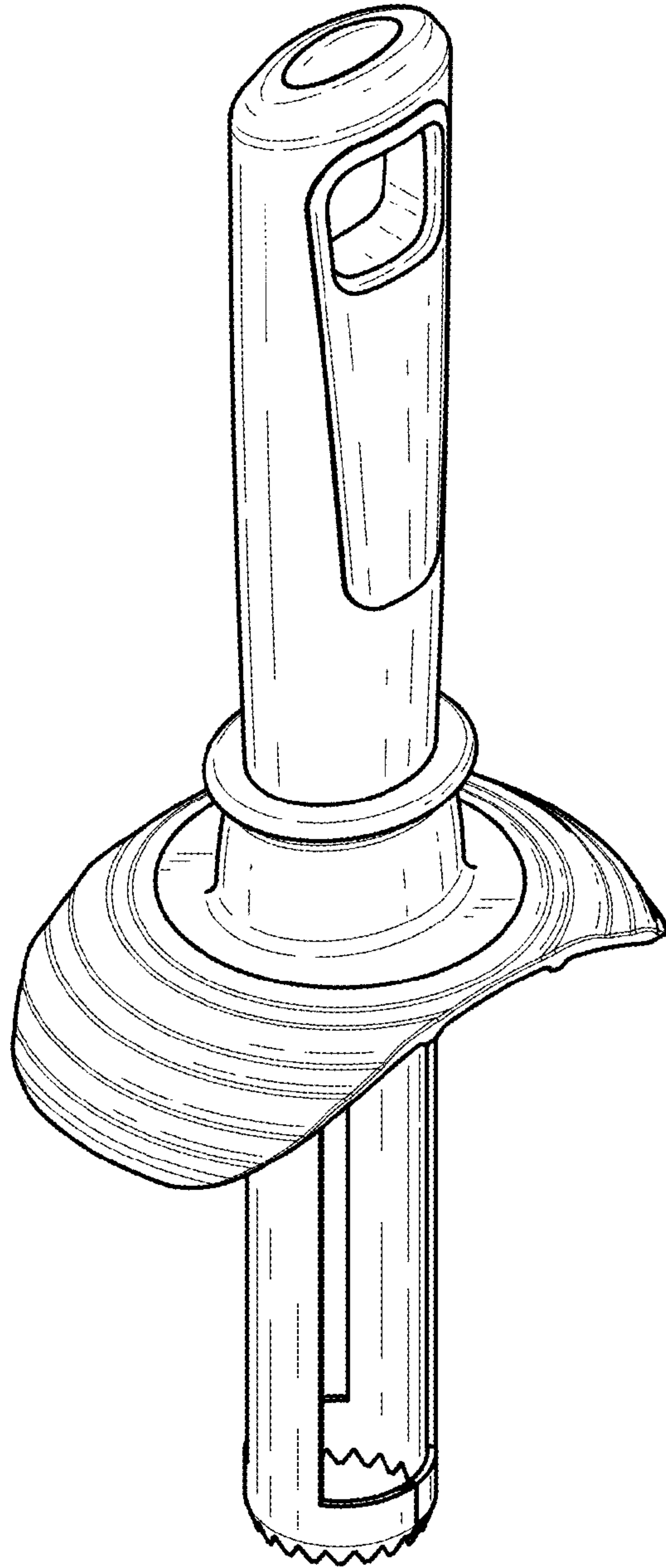


Fig.7



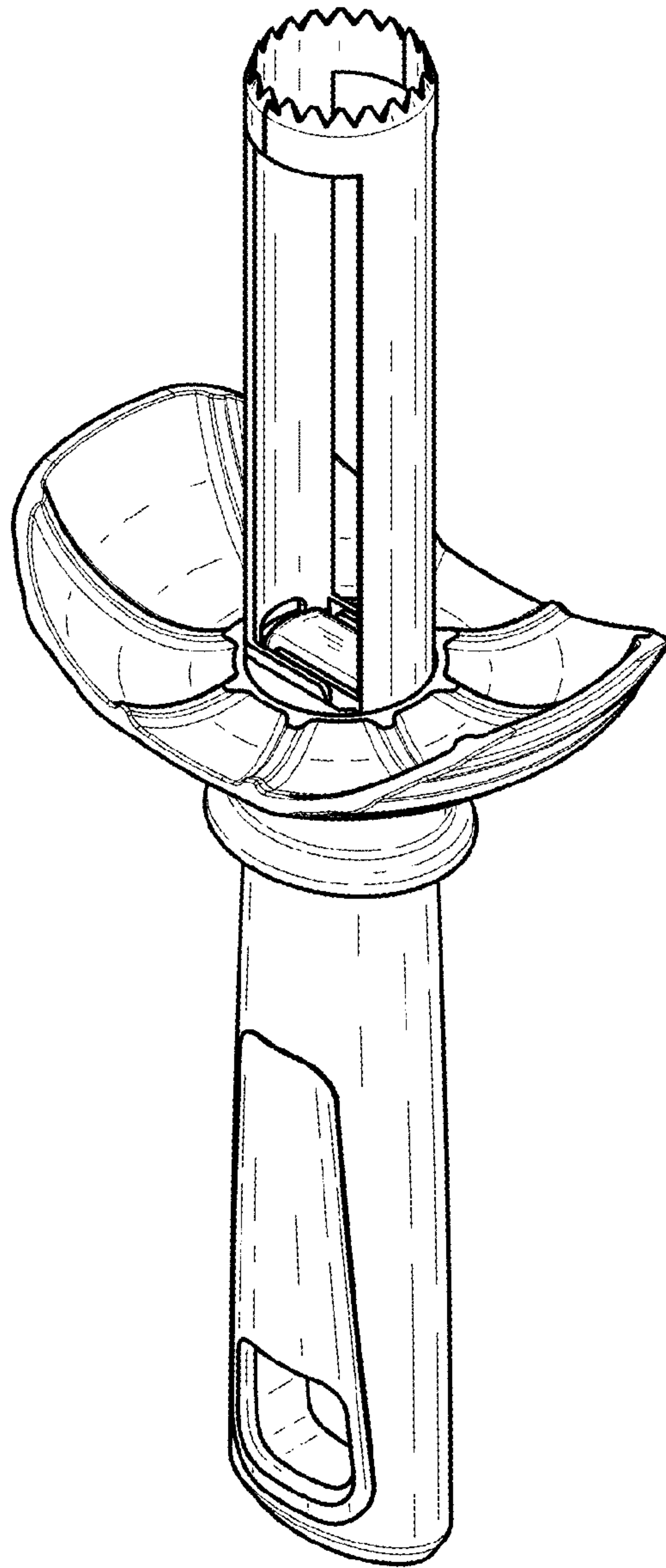


Fig.8