



US00D762091S

(12) **United States Design Patent**  
**Grumbacher et al.**

(10) **Patent No.:** **US D762,091 S**  
(45) **Date of Patent:** **\*\* Jul. 26, 2016**

(54) **GRINDER BOTTOM**

(71) Applicants: **Matthew Grumbacher**, Basalt, CO (US); **David Markle**, Stone Harbor, NJ (US)

(72) Inventors: **Matthew Grumbacher**, Basalt, CO (US); **David Markle**, Stone Harbor, NJ (US)

(73) Assignee: **Aspendam LLC**, Aspen, CO (US)

(\*\*) Term: **14 Years**

(21) Appl. No.: **29/492,231**

(22) Filed: **May 29, 2014**

(51) **LOC (10) Cl.** ..... **07-04**

(52) **U.S. Cl.**  
USPC ..... **D7/679**

(58) **Field of Classification Search**  
USPC ..... D7/679, 590-600, 372, 373, 374, 383, D7/384, 401.1  
CPC ..... A47J 42/08; A47J 42/38; A47J 42/04; A47J 42/46; A47J 42/18; A47J 42/40; A47J 43/04; A47J 42/14; A47J 19/04; A47J 19/06; A47J 42/34; B02C 18/16; B02C 18/24; B02C 18/08; A24F 15/18

See application file for complete search history.

(56) **References Cited**

**U.S. PATENT DOCUMENTS**

|           |      |         |                       |                         |
|-----------|------|---------|-----------------------|-------------------------|
| 795,746   | A *  | 7/1905  | Wingfield et al. .... | A24F 15/18<br>131/311   |
| 854,384   | A    | 5/1907  | Ross                  |                         |
| 4,304,363 | A    | 12/1981 | Atkielski             |                         |
| D474,378  | S *  | 5/2003  | Brandenburg .....     | D7/679                  |
| 6,945,486 | B2 * | 9/2005  | Teng .....            | A47J 19/06<br>241/169.1 |
| 7,367,519 | B2 * | 5/2008  | de Groote .....       | A47J 19/04<br>241/168   |

|              |      |         |                 |                         |
|--------------|------|---------|-----------------|-------------------------|
| 7,422,170    | B2 * | 9/2008  | Bao .....       | B02C 18/24<br>241/168   |
| 8,220,732    | B2 * | 7/2012  | Griffin .....   | A47J 43/04<br>241/169.1 |
| 8,393,563    | B2 * | 3/2013  | Chaoui .....    | B02C 18/08<br>241/168   |
| D689,347     | S *  | 9/2013  | Hainbach .....  | D7/693                  |
| 2003/0006328 | A1 * | 1/2003  | Manson .....    | B02C 13/22<br>241/169.1 |
| 2009/0256016 | A1 * | 10/2009 | Lauzet .....    | A47J 42/18<br>241/169.1 |
| 2012/0097774 | A1 * | 4/2012  | Hainbach .....  | A47J 42/14<br>241/101.2 |
| 2013/0015278 | A1 * | 1/2013  | Edwards .....   | A47J 42/40<br>241/69    |
| 2013/0214068 | A1 * | 8/2013  | Camitta .....   | B02C 18/16<br>241/25    |
| 2013/0277473 | A1 * | 10/2013 | Delbridge ..... | A47J 42/38<br>241/169.1 |

**OTHER PUBLICATIONS**

<http://santacruzshredder.com>.

\* cited by examiner

*Primary Examiner* — Terry Wallace

(74) *Attorney, Agent, or Firm* — Cozen O'Connor

(57) **CLAIM**

The ornamental design for a grinder bottom, as shown and described.

**DESCRIPTION**

FIG. 1 is a bottom perspective view of a grinder bottom showing our new design.

FIG. 2 is a top perspective view thereof.

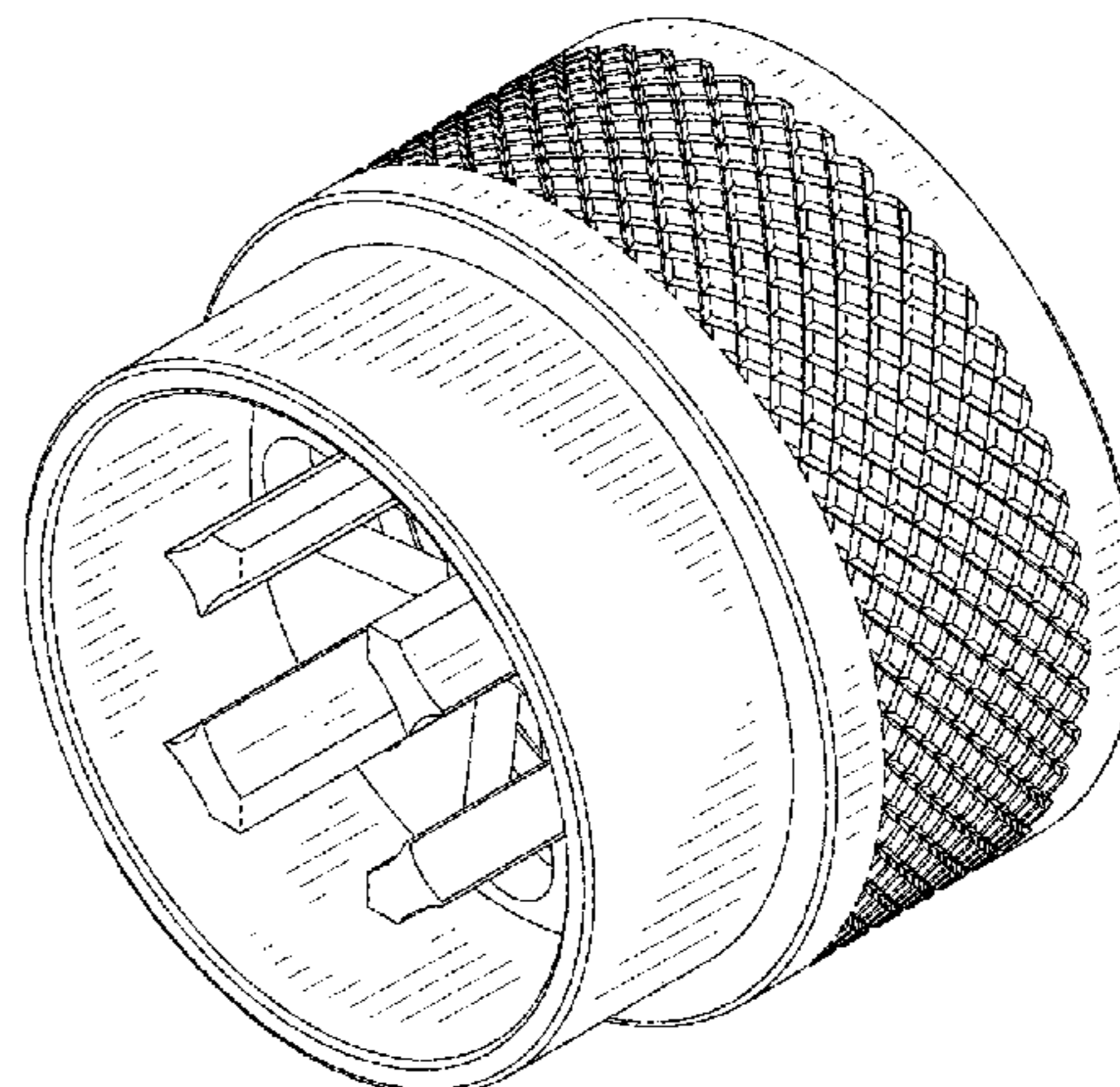
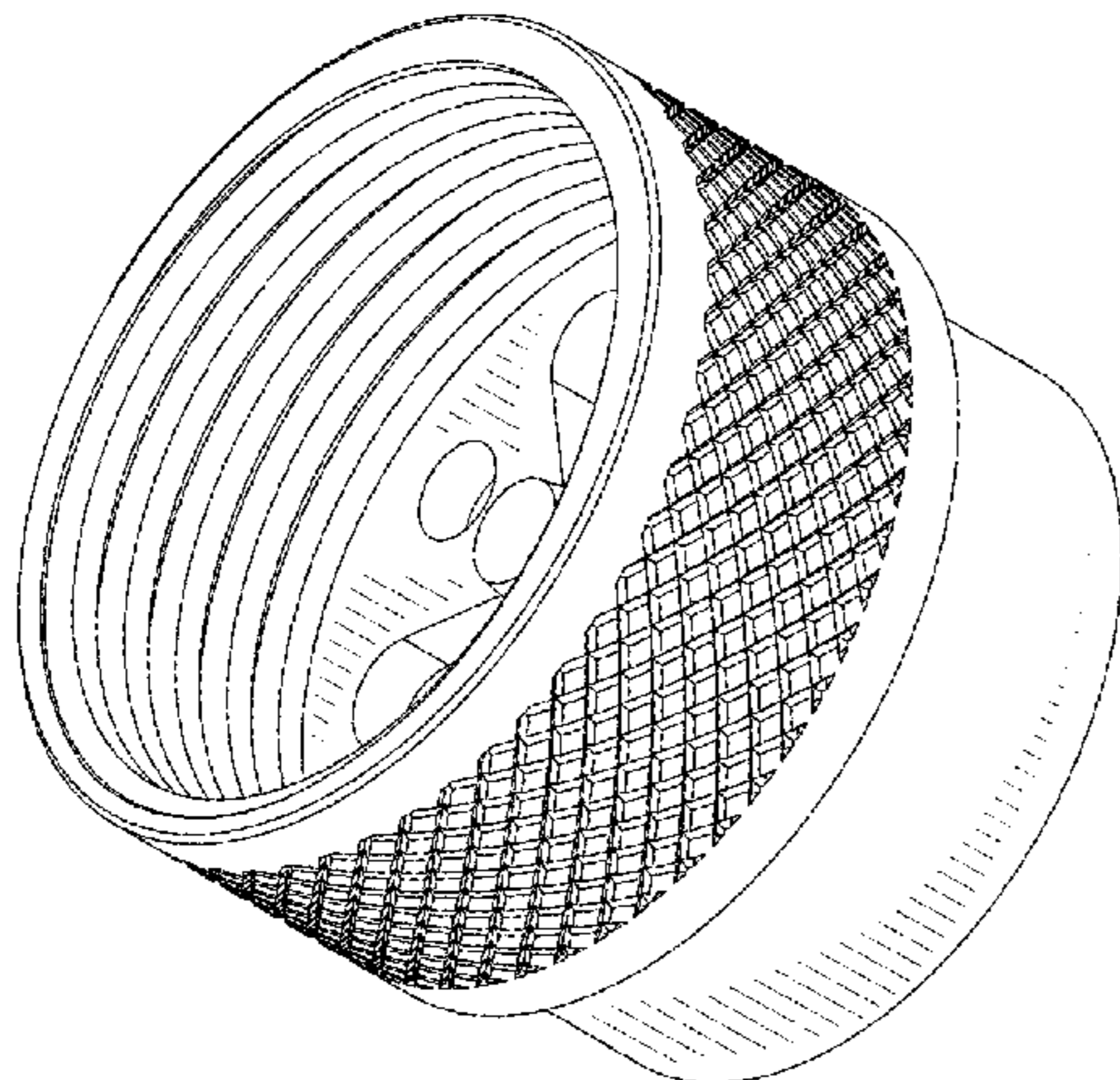
FIG. 3 is a bottom plan view thereof.

FIG. 4 is a top plan view thereof.

FIG. 5 is a side elevation view thereof, the remaining sides being a mirror image; and,

FIG. 6 is a cross section view thereof, taken along line 6-6 of FIG. 3.

**1 Claim, 3 Drawing Sheets**



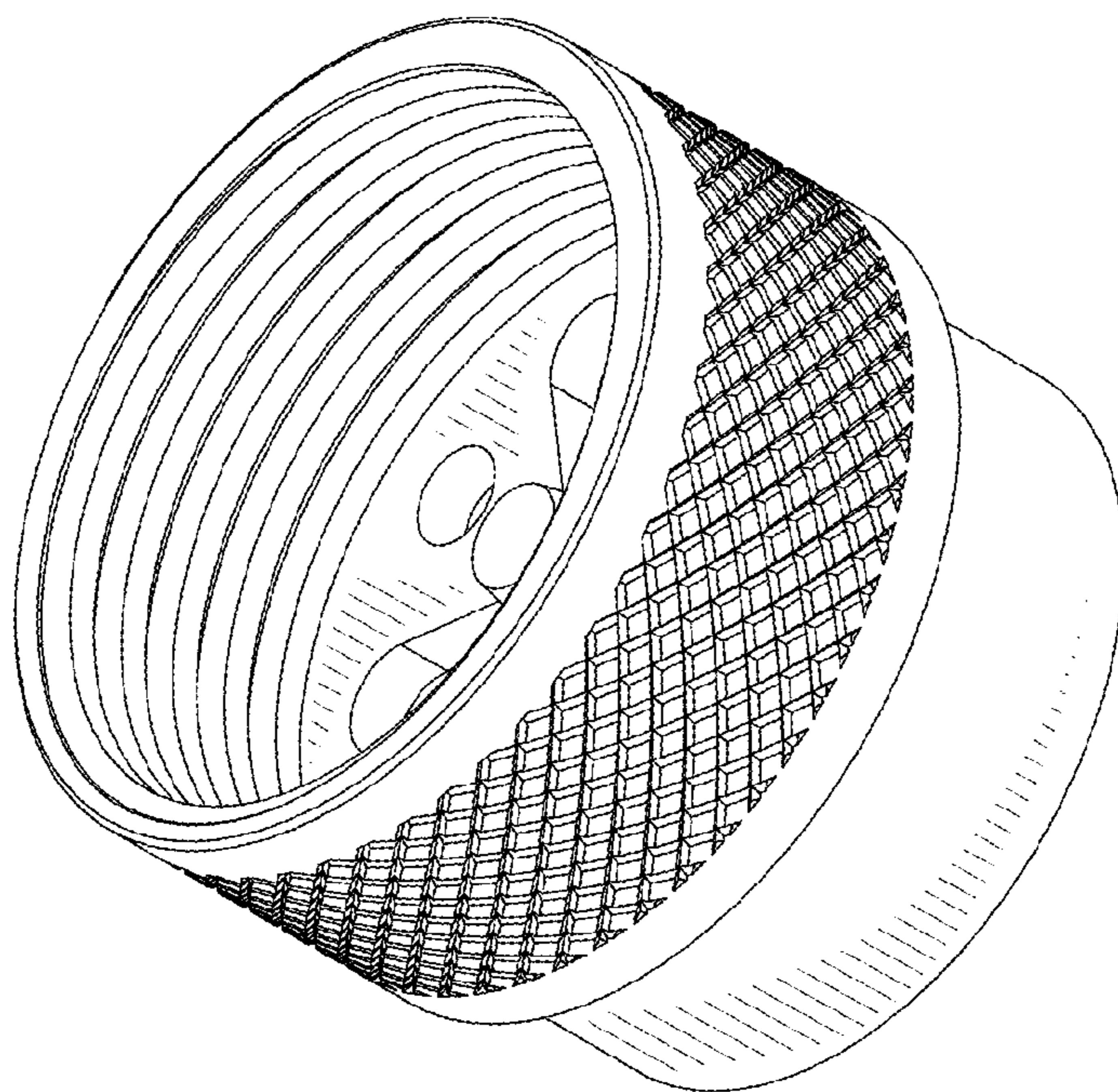


FIG. 1

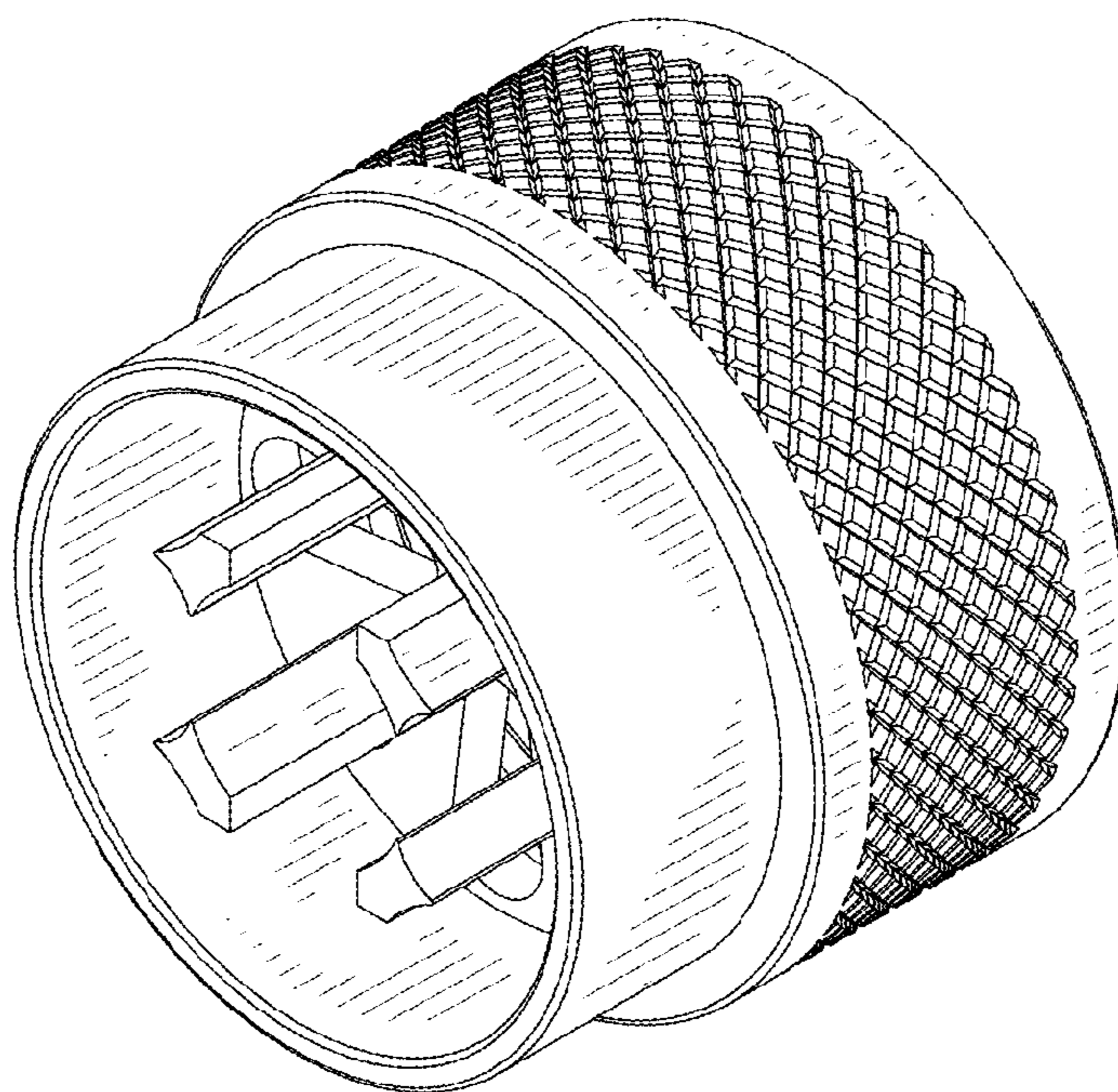


FIG. 2



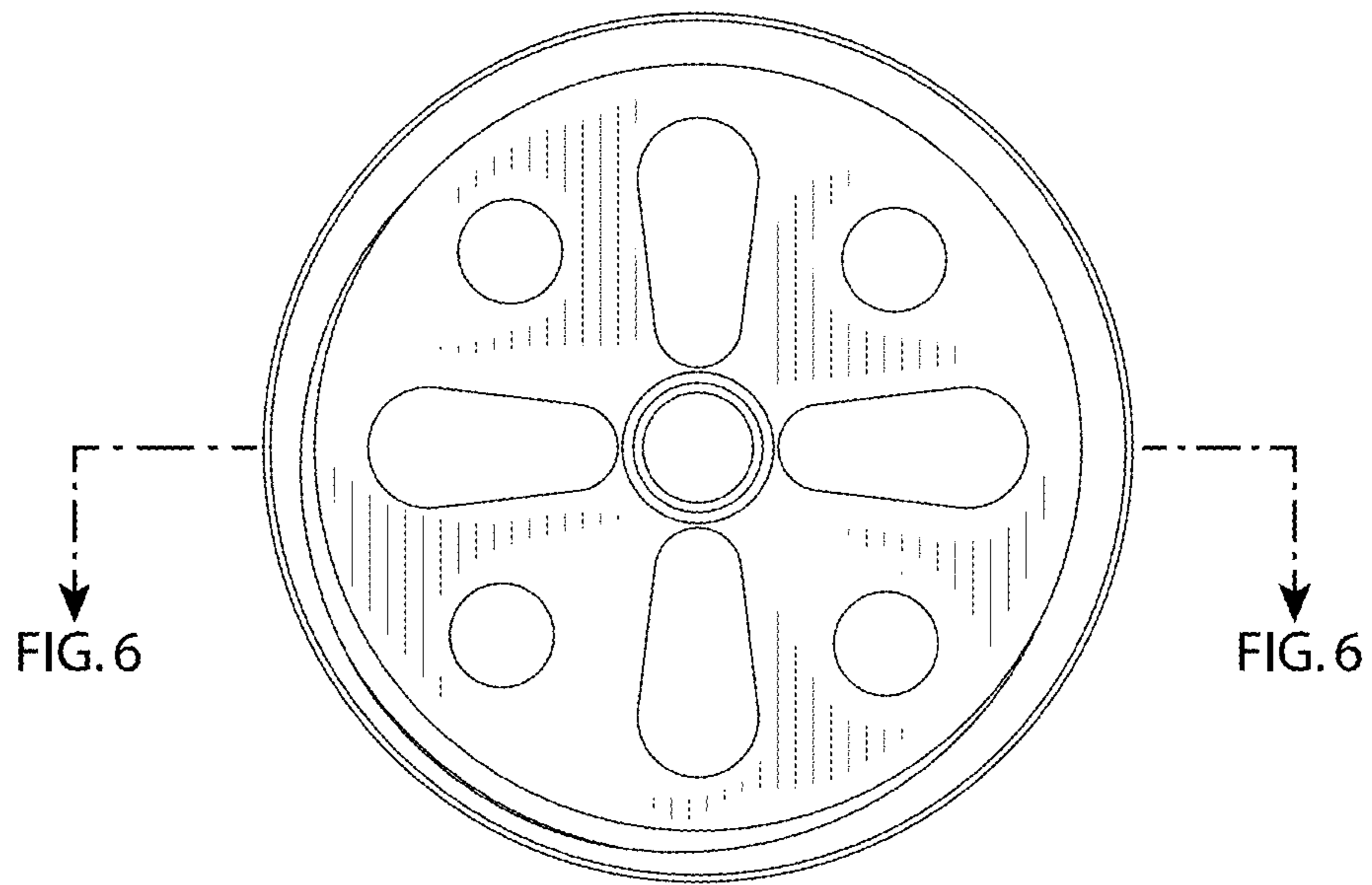


FIG. 3

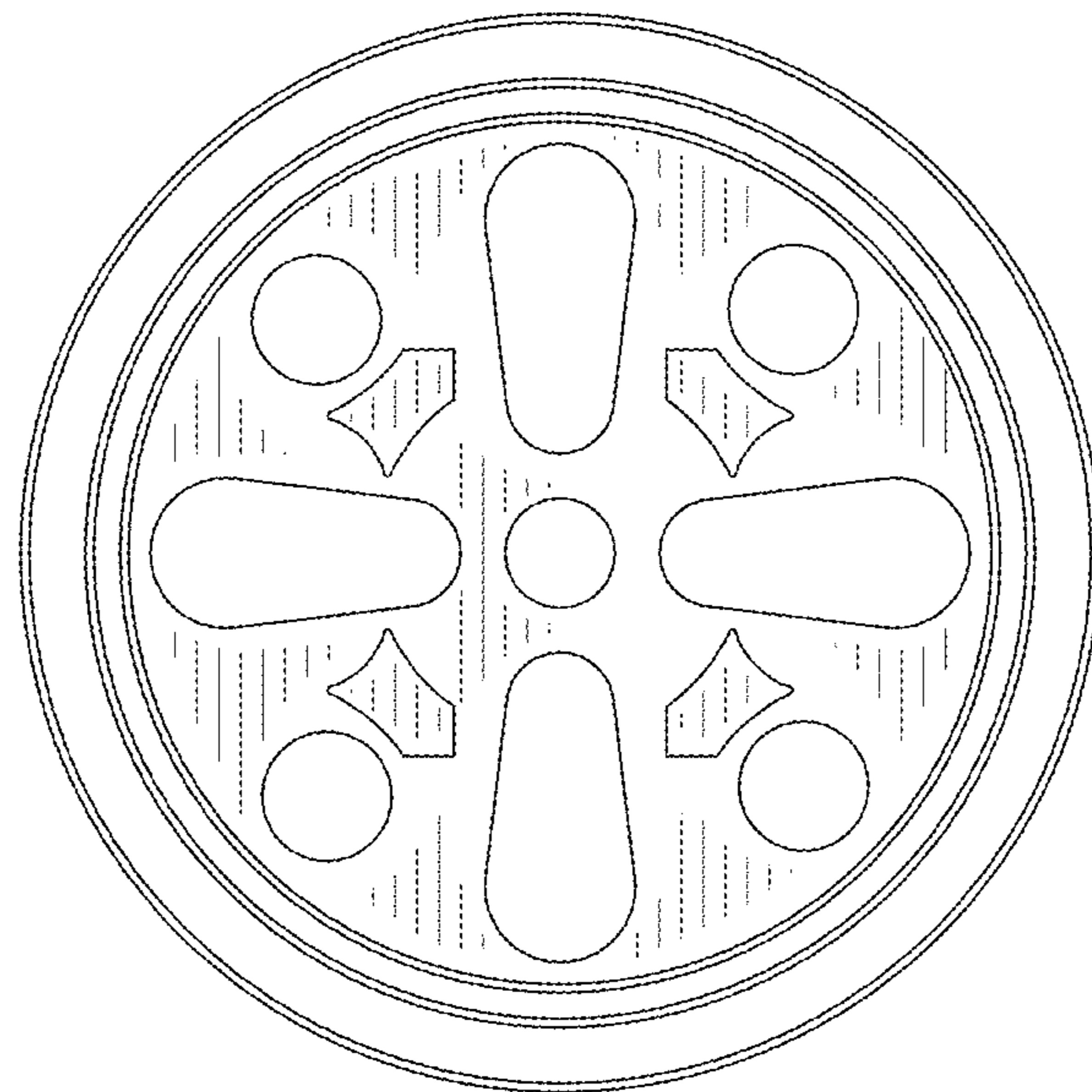


FIG. 4

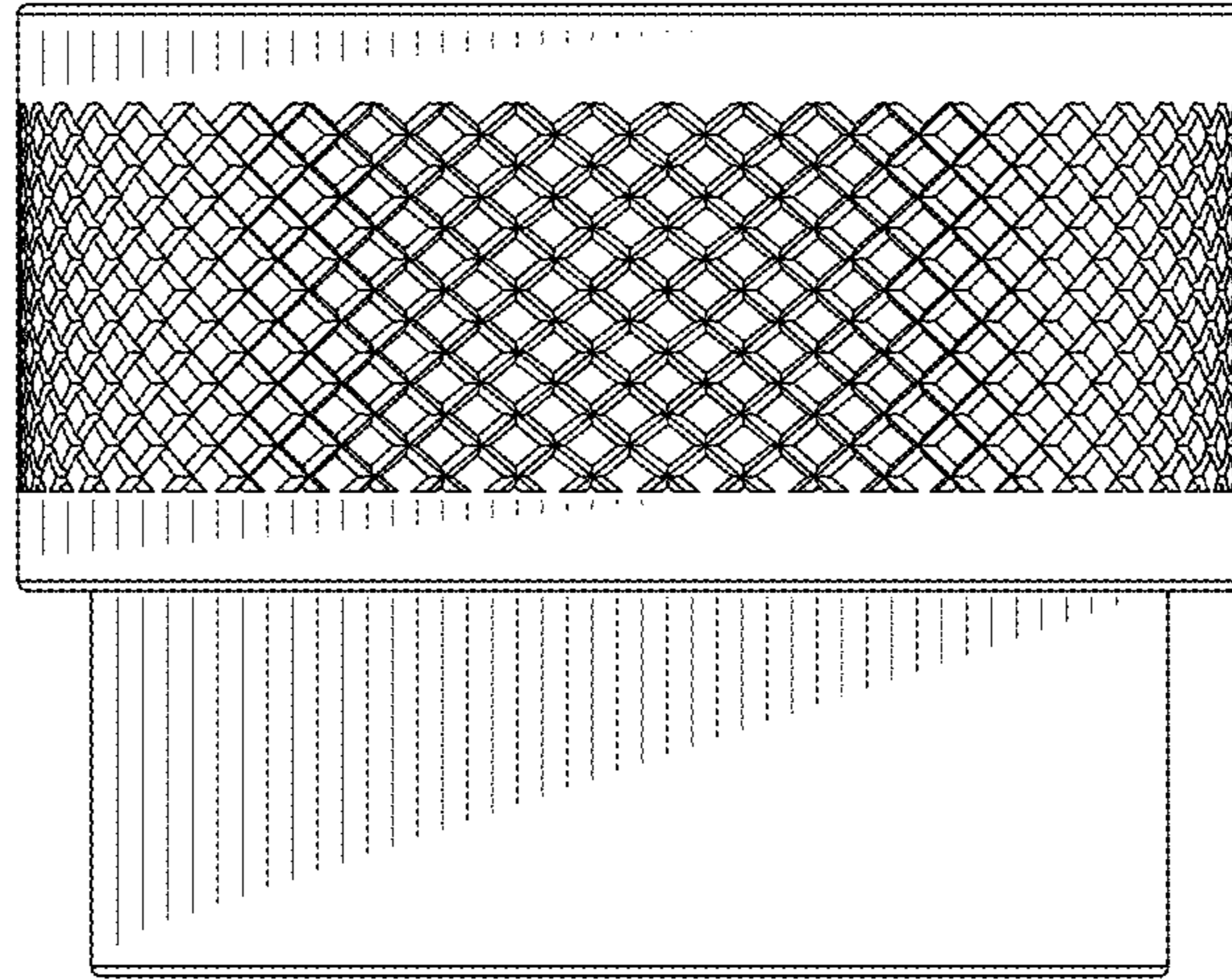


FIG. 5

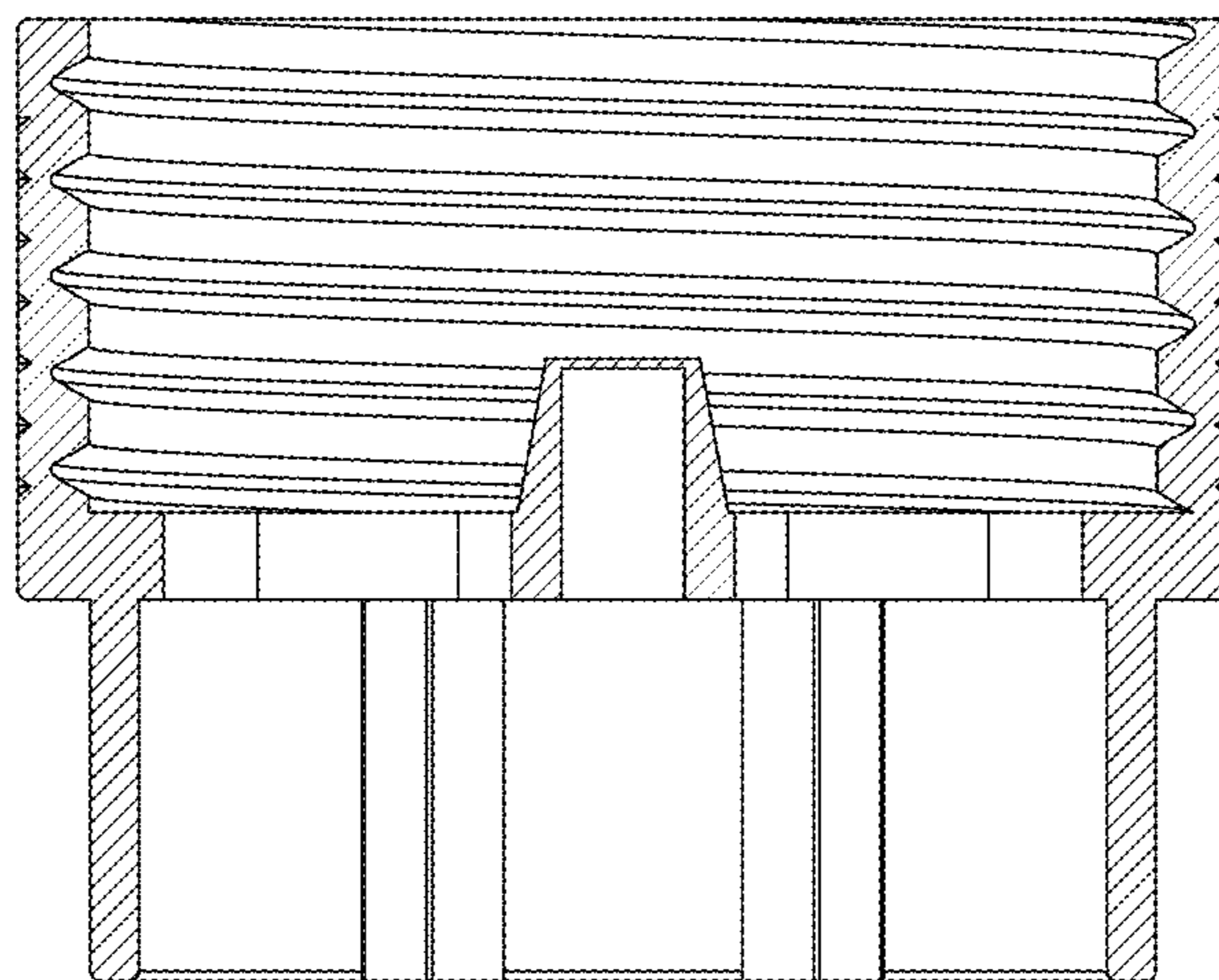


FIG. 6