

US00D762090S

(12) **United States Design Patent**
Grumbacher et al.

(10) **Patent No.:** **US D762,090 S**
(45) **Date of Patent:** **** Jul. 26, 2016**

- (54) **GRINDER TOP**
- (71) Applicants: **Matthew Grumbacher**, Basalt, CO (US); **David Markle**, Stone Harbor, NJ (US)
- (72) Inventors: **Matthew Grumbacher**, Basalt, CO (US); **David Markle**, Stone Harbor, NJ (US)
- (73) Assignee: **Aspendam LLC**, Aspen, CO (US)
- (**) Term: **14 Years**
- (21) Appl. No.: **29/492,222**
- (22) Filed: **May 29, 2014**
- (51) **LOC (10) Cl.** **07-04**
- (52) **U.S. Cl.**
USPC **D7/679**
- (58) **Field of Classification Search**
USPC D7/679, 590–600, 372, 373, 374, 383, D7/384, 401.1
CPC A47J 42/08; A47J 42/38; A47J 42/04; A47J 42/46; A47J 42/18; A47J 42/40; A47J 43/04; A47J 42/14; A47J 19/04; A47J 19/06; A47J 42/34; B02C 18/16; B02C 18/24; B02C 18/08; A24F 15/18
See application file for complete search history.

- (56) **References Cited**
U.S. PATENT DOCUMENTS
795,746 A * 7/1905 Wingfield et al. A24F 15/18 131/311
854,384 A 5/1907 Ross
4,304,363 A 12/1981 Atkielski
D474,378 S * 5/2003 Brandenburg D7/679
6,945,486 B2 * 9/2005 Teng A47J 19/06 241/169.1
7,367,519 B2 * 5/2008 de Groote A47J 19/04 241/168

- 7,422,170 B2 * 9/2008 Bao B02C 18/24 241/168
- 8,220,732 B2 * 7/2012 Griffin A47J 43/04 241/169.1
- 8,393,563 B2 * 3/2013 Chaoui B02C 18/08 241/168
- D689,347 S * 9/2013 Hainbach D7/693
- 2003/0006328 A1 * 1/2003 Manson A47J 42/34 241/169.1
- 2009/0256016 A1 * 10/2009 Lauzet A47J 42/18 241/169.1
- 2012/0097774 A1 * 4/2012 Hainbach A47J 42/14 241/101.2
- 2013/0015278 A1 * 1/2013 Edwards A47J 42/40 241/69
- 2013/0214068 A1 * 8/2013 Camitta B02C 18/24 241/25
- 2013/0277473 A1 * 10/2013 Delbridge A47J 42/38 241/169.1

OTHER PUBLICATIONS

<http://santacruzshredder.com>.

* cited by examiner

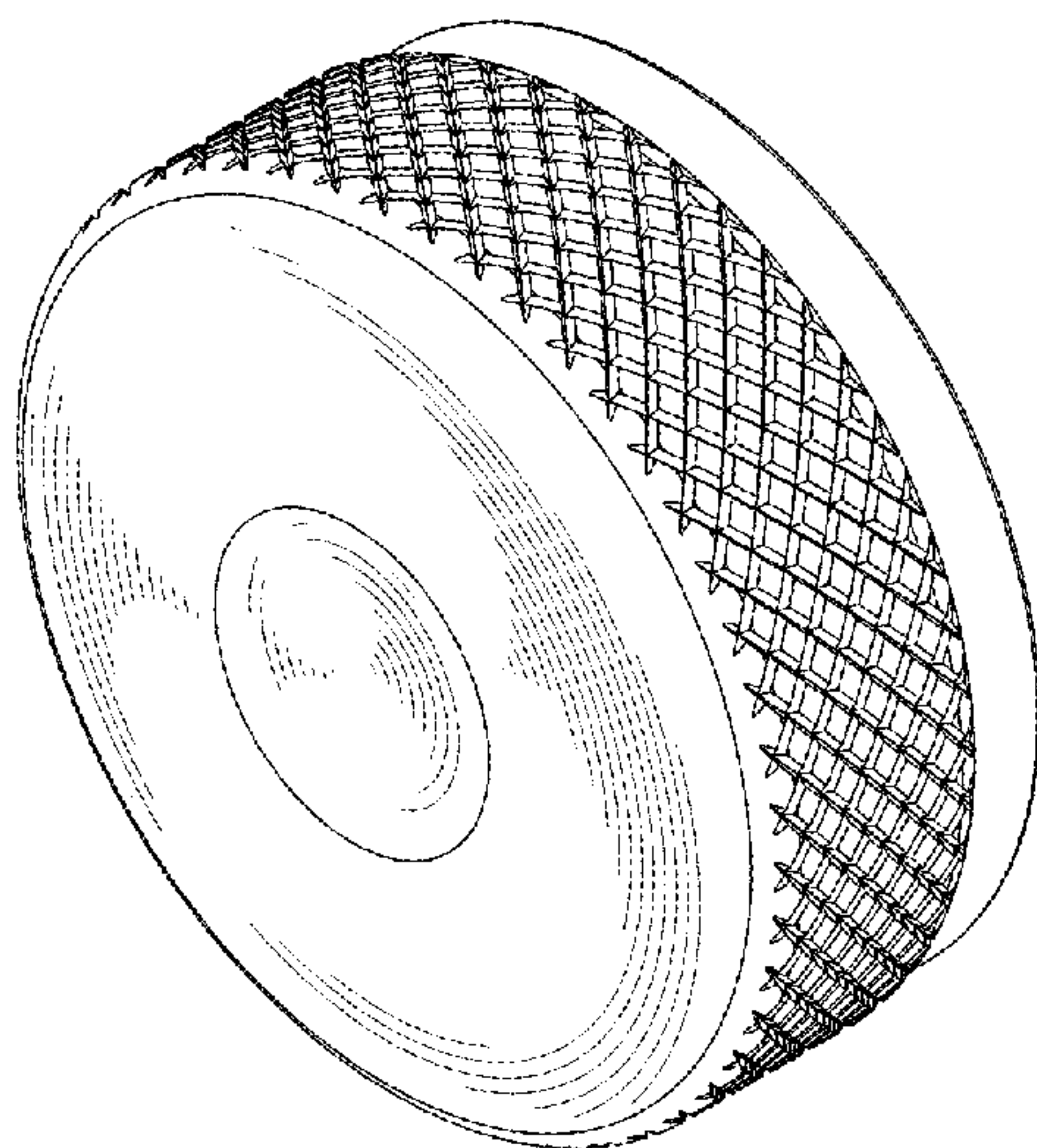
Primary Examiner — Terry Wallace
(74) *Attorney, Agent, or Firm* — Cozen O'Connor

(57) **CLAIM**
The ornamental design for a grinder top, as shown and described.

DESCRIPTION

FIG. 1 is a top perspective view of a grinder top showing our new design.
FIG. 2 is a bottom perspective view thereof.
FIG. 3 is a top plan view thereof.
FIG. 4 is a bottom plan view thereof.
FIG. 5 is a side elevation view thereof, the remaining sides being a mirror image; and,
FIG. 6 is a cross section side view thereof, taken along line 6-6 of FIG. 3.

1 Claim, 3 Drawing Sheets



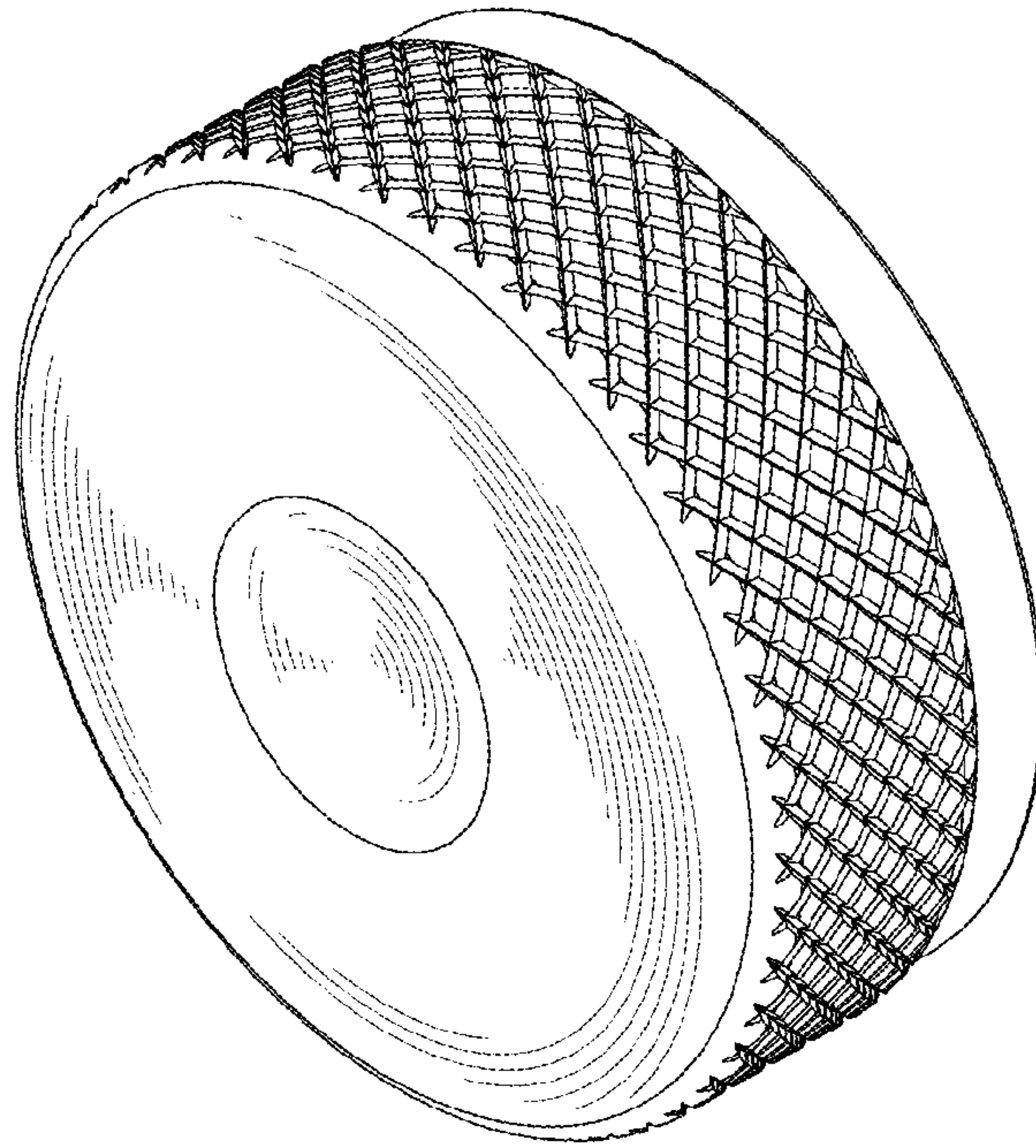


FIG. 1

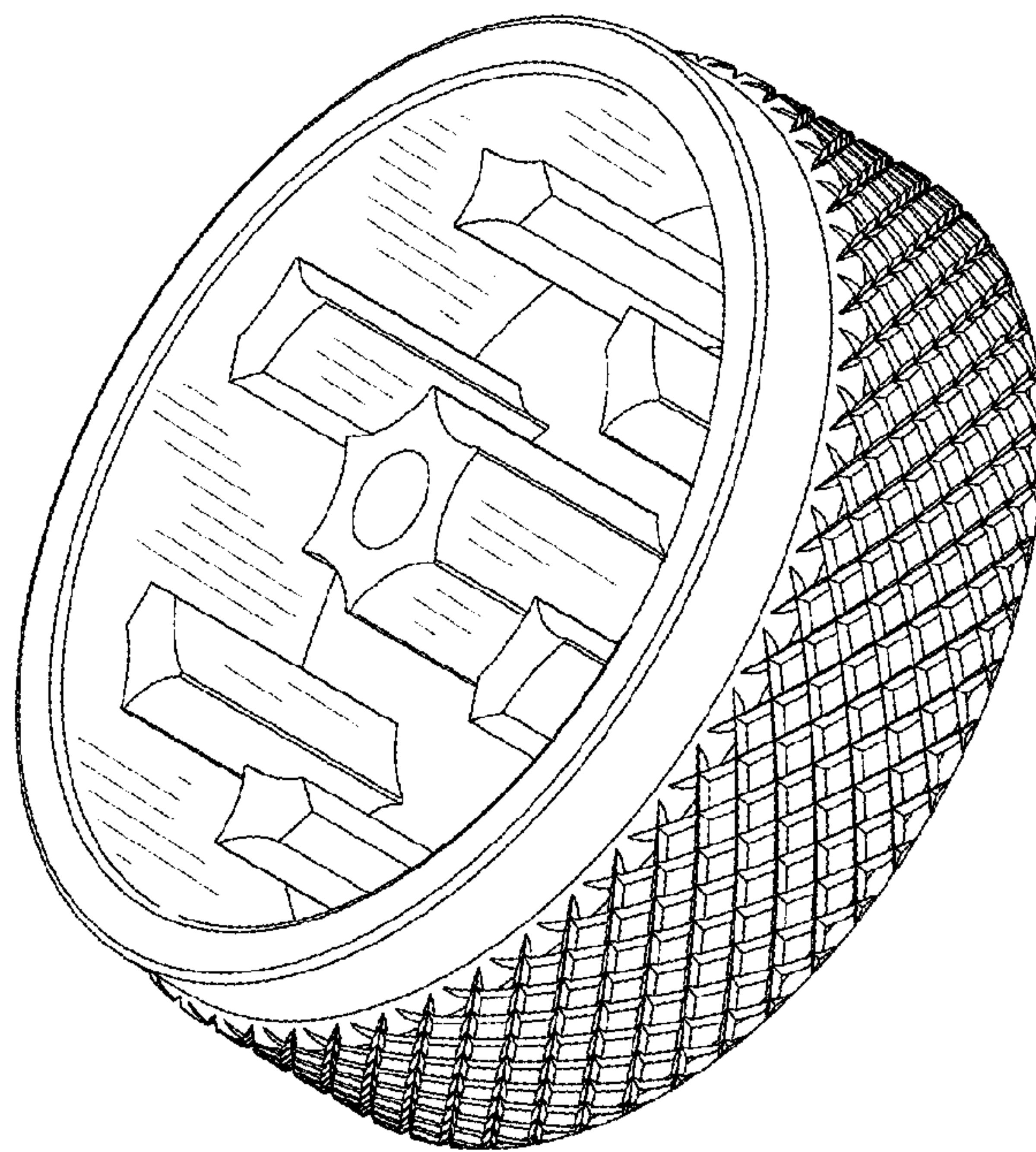


FIG. 2

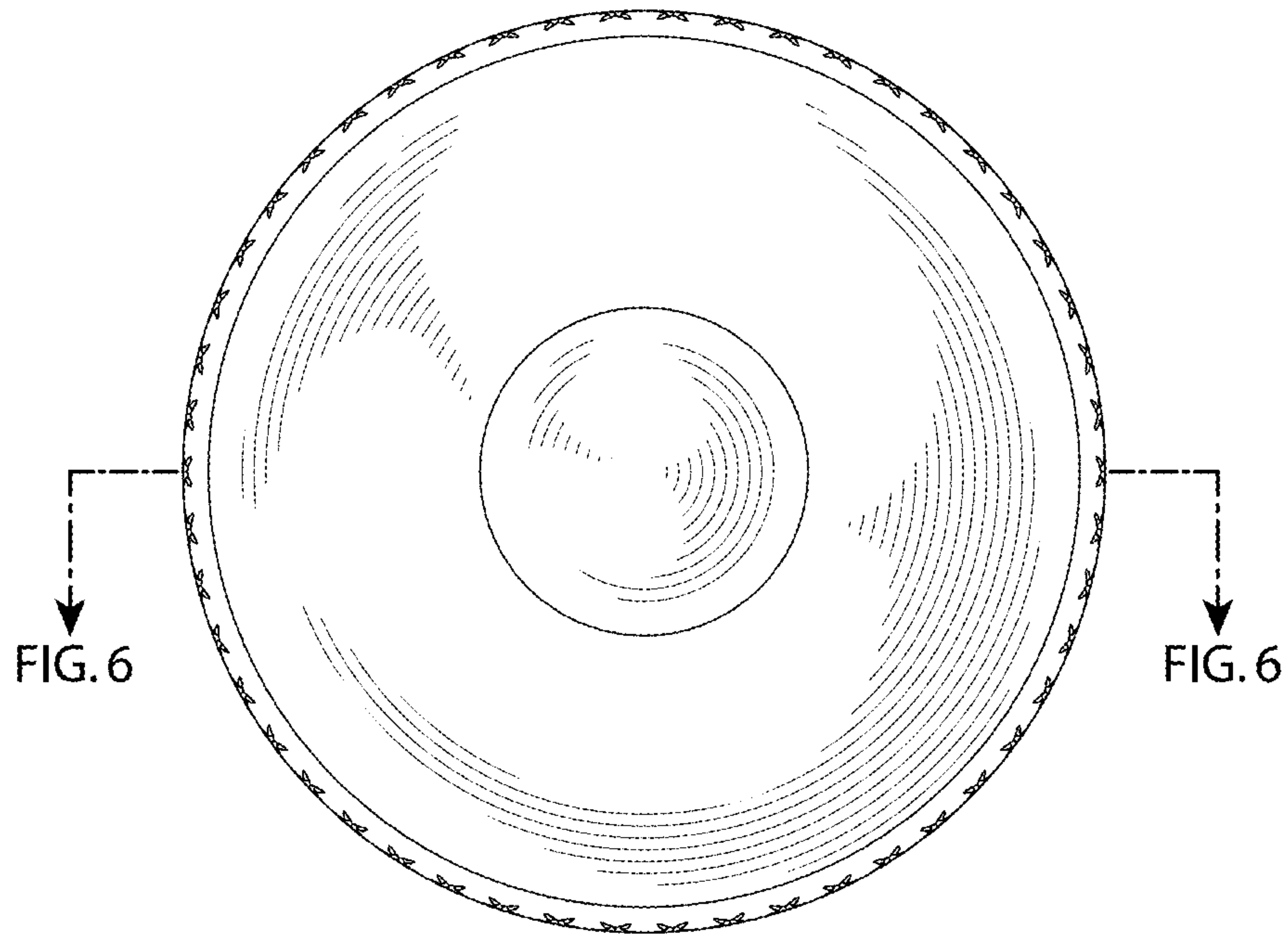


FIG. 3

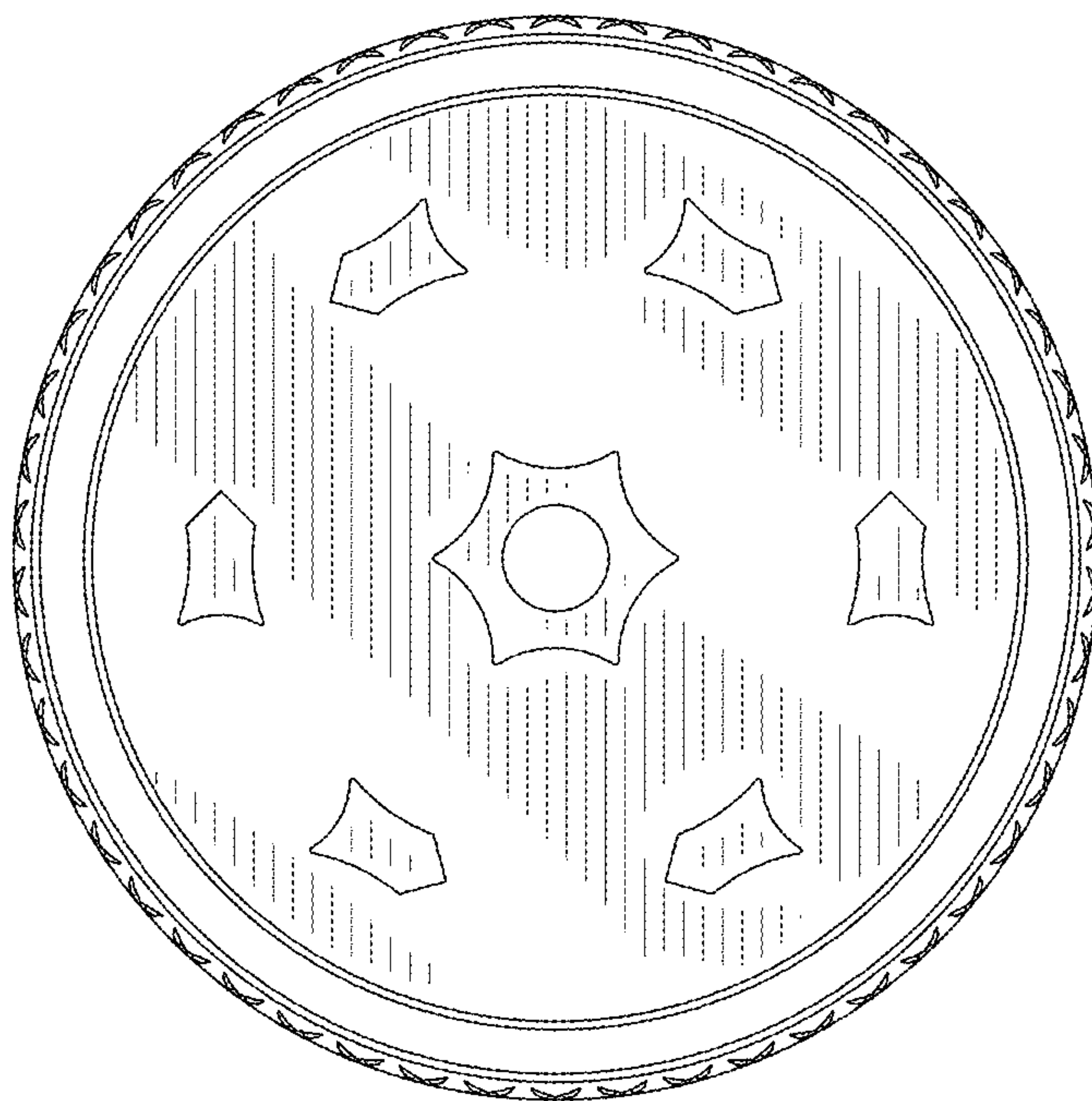


FIG. 4

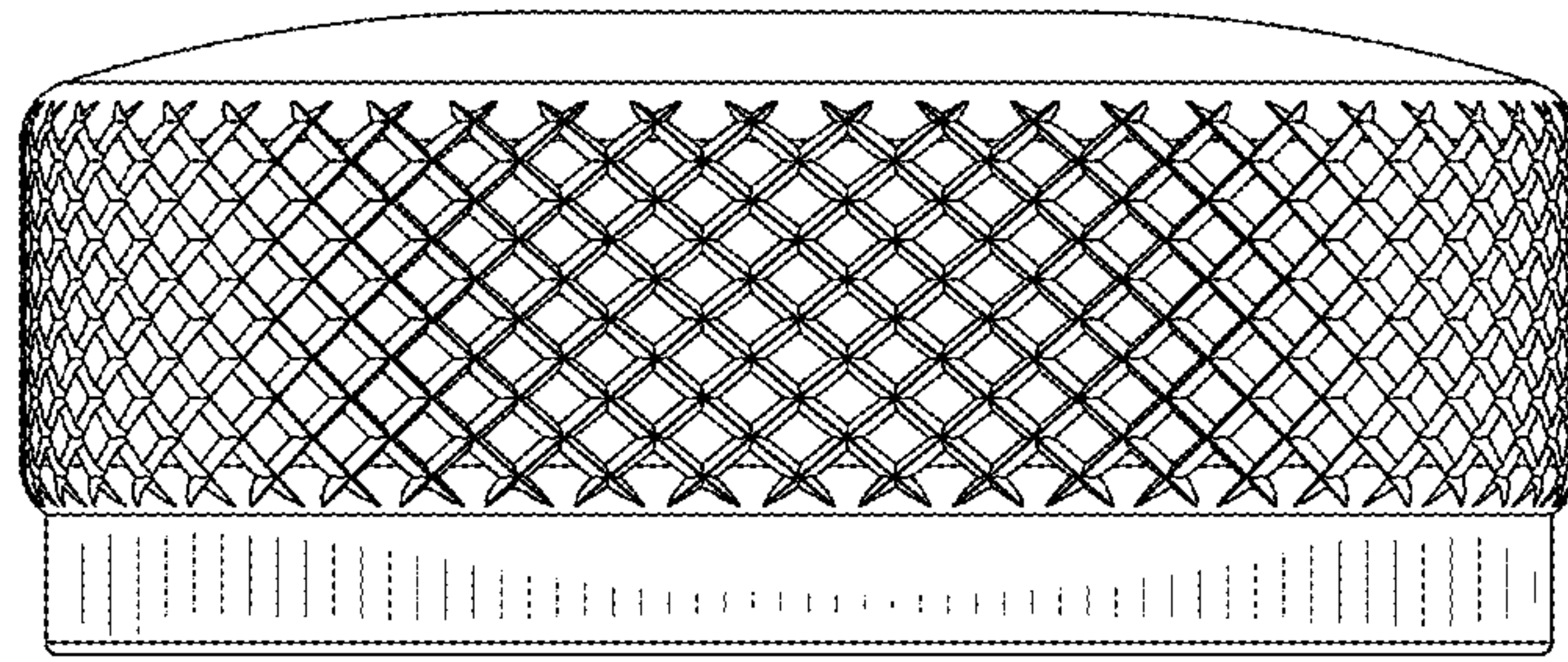


FIG. 5

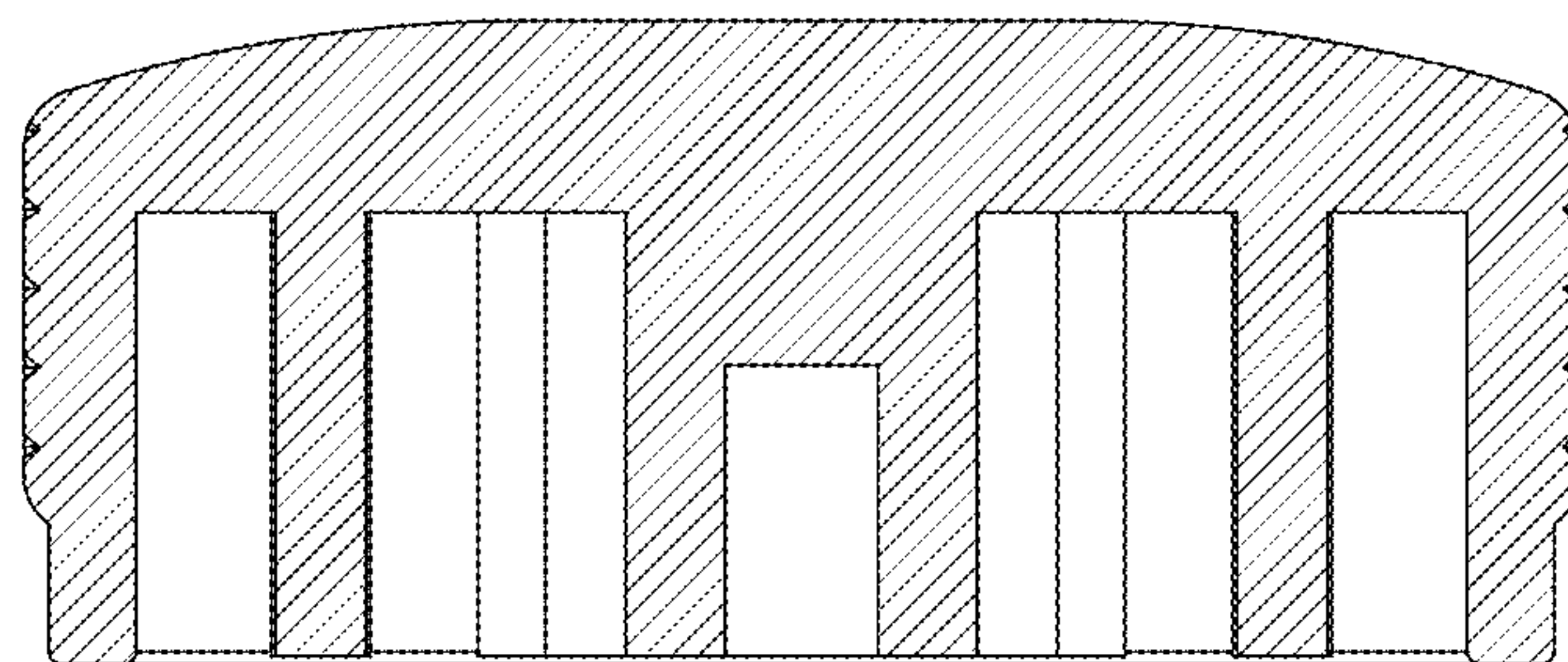


FIG. 6