



US00D762088S

(12) **United States Design Patent**
Evans et al.

(10) **Patent No.:** **US D762,088 S**
(45) **Date of Patent:** **** Jul. 26, 2016**

(54) **KNIFE HOLDER**

(71) Applicant: **JOSEPH JOSEPH LTD.**, London (GB)

(72) Inventors: **David Evans**, Cambridge (GB); **Ashley May**, Cambridge (GB)

(73) Assignee: **Joseph Joseph Ltd.**, London (GB)

(**) Term: **14 Years**

(21) Appl. No.: **29/499,962**

(22) Filed: **Aug. 20, 2014**

(30) **Foreign Application Priority Data**

Feb. 24, 2014 (EM) 002410761-0001

(51) **LOC (10) Cl.** **07-06**

(52) **U.S. Cl.**
USPC **D7/637**

(58) **Field of Classification Search**
USPC D7/637-641, 649; D3/201, 220, 274;
D8/98, 99, 104; D22/118
CPC B26B 11/00; B26B 29/02
See application file for complete search history.

(56) **References Cited**

U.S. PATENT DOCUMENTS

1,030,756 A * 6/1912 Yakligian B26B 11/00
30/143
D299,807 S * 2/1989 Sawa D22/118
D429,970 S * 8/2000 Liu D7/637

D501,781 S * 2/2005 Galli D8/99
D535,171 S * 1/2007 Ping D8/99
D636,249 S * 4/2011 Manchen D8/99
D662,320 S * 6/2012 De Leo D3/201
D710,177 S * 8/2014 Mihailides D8/99
2012/0210584 A1 * 8/2012 Logan B26B 29/02
30/153
2014/0017374 A1 * 1/2014 Bagley A47J 25/00
99/537

* cited by examiner

Primary Examiner — Terry Wallace

(74) *Attorney, Agent, or Firm* — Millen, White, Zelano & Branigan, P.C.

(57) **CLAIM**

The ornamental design for a knife holder, as shown and described.

DESCRIPTION

FIG. 1 is a perspective view of a knife holder showing our new design.

FIG. 2 is a front view thereof.

FIG. 3 is rear view thereof.

FIG. 4 is side view thereof.

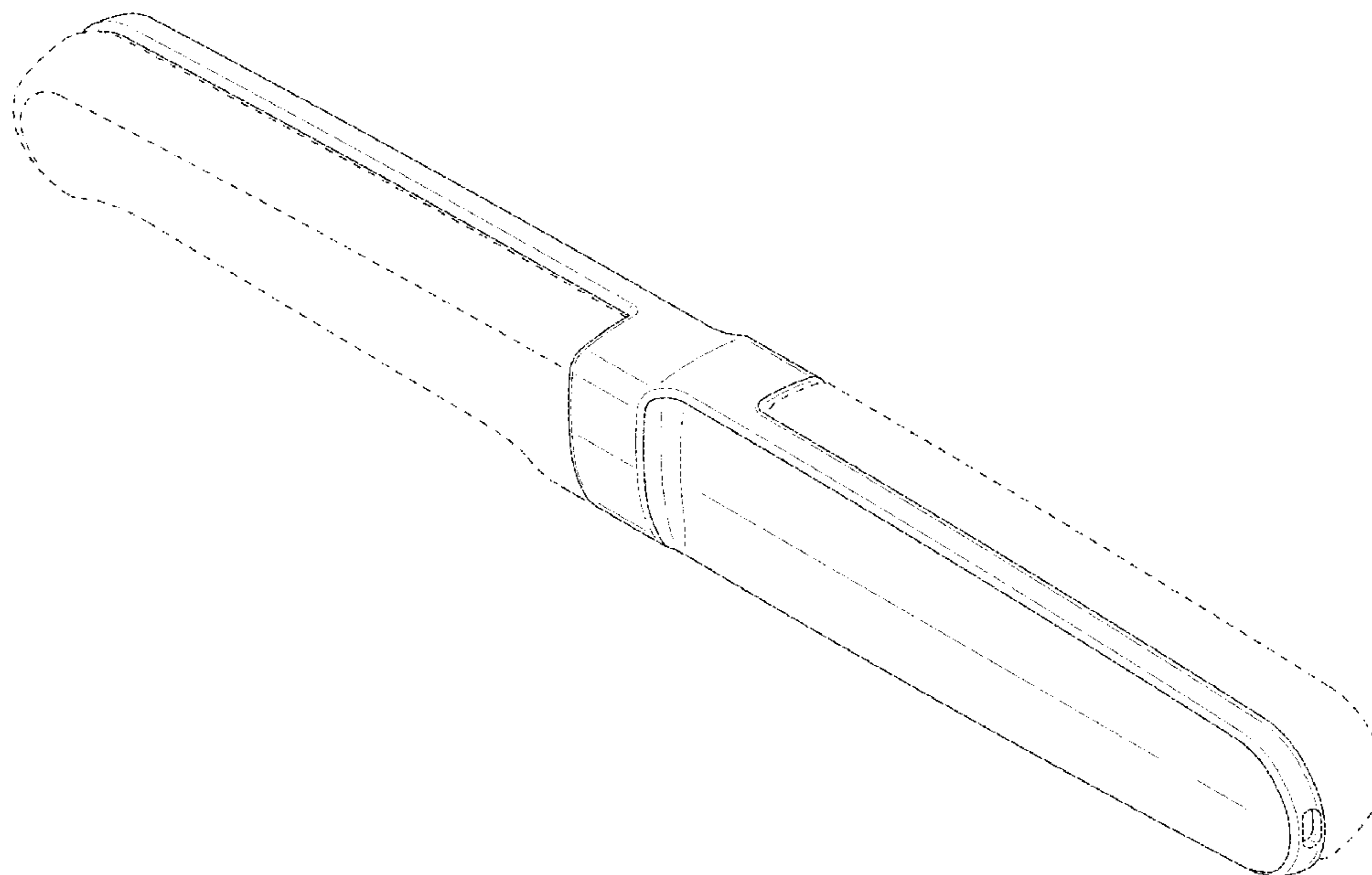
FIG. 5 is another side view thereof.

FIG. 6 is bottom view thereof; and,

FIG. 7 is a top view thereof.

The broken lines showing other parts of the knife holder form no part of the claimed design.

1 Claim, 7 Drawing Sheets



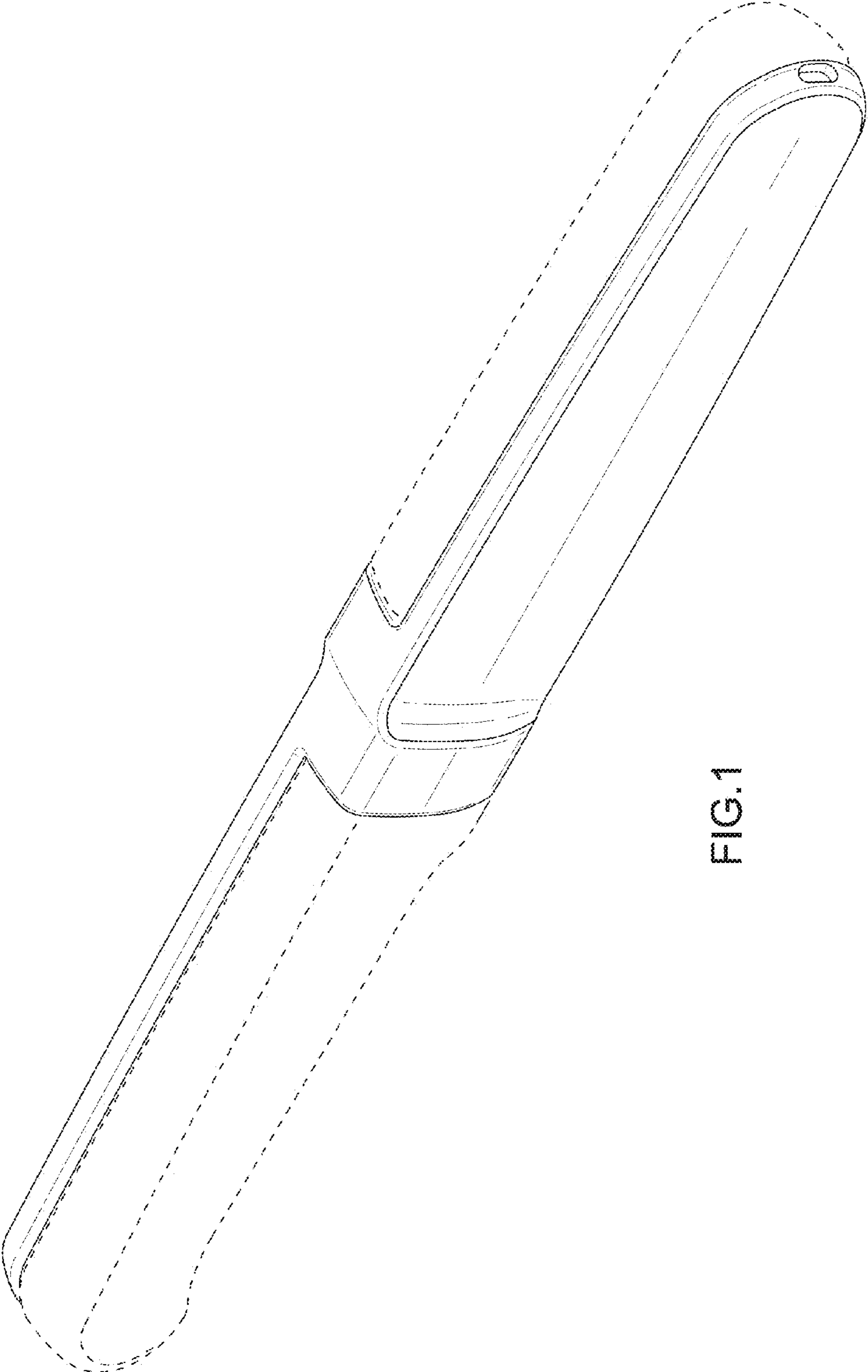


FIG.1

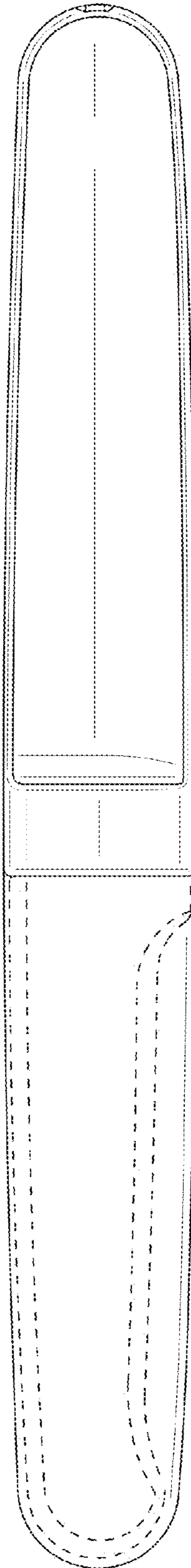


FIG.2

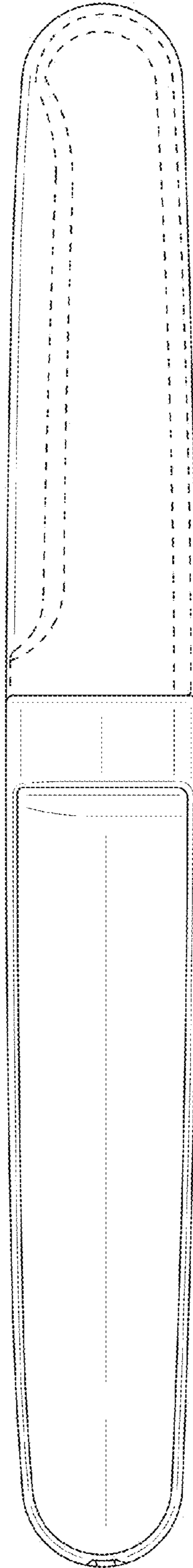


FIG. 3

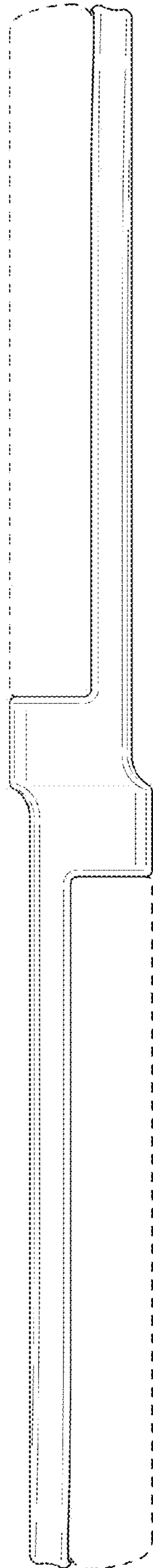


FIG.4

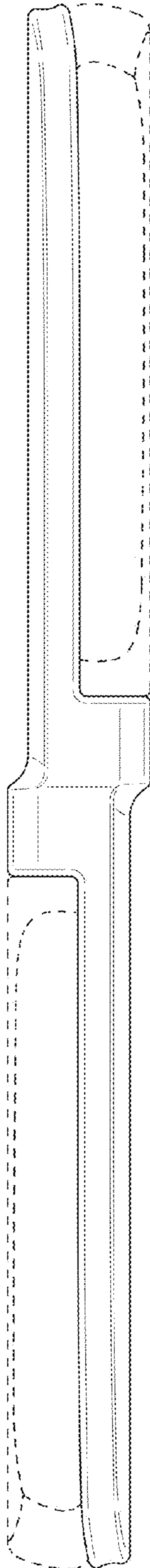


FIG. 5

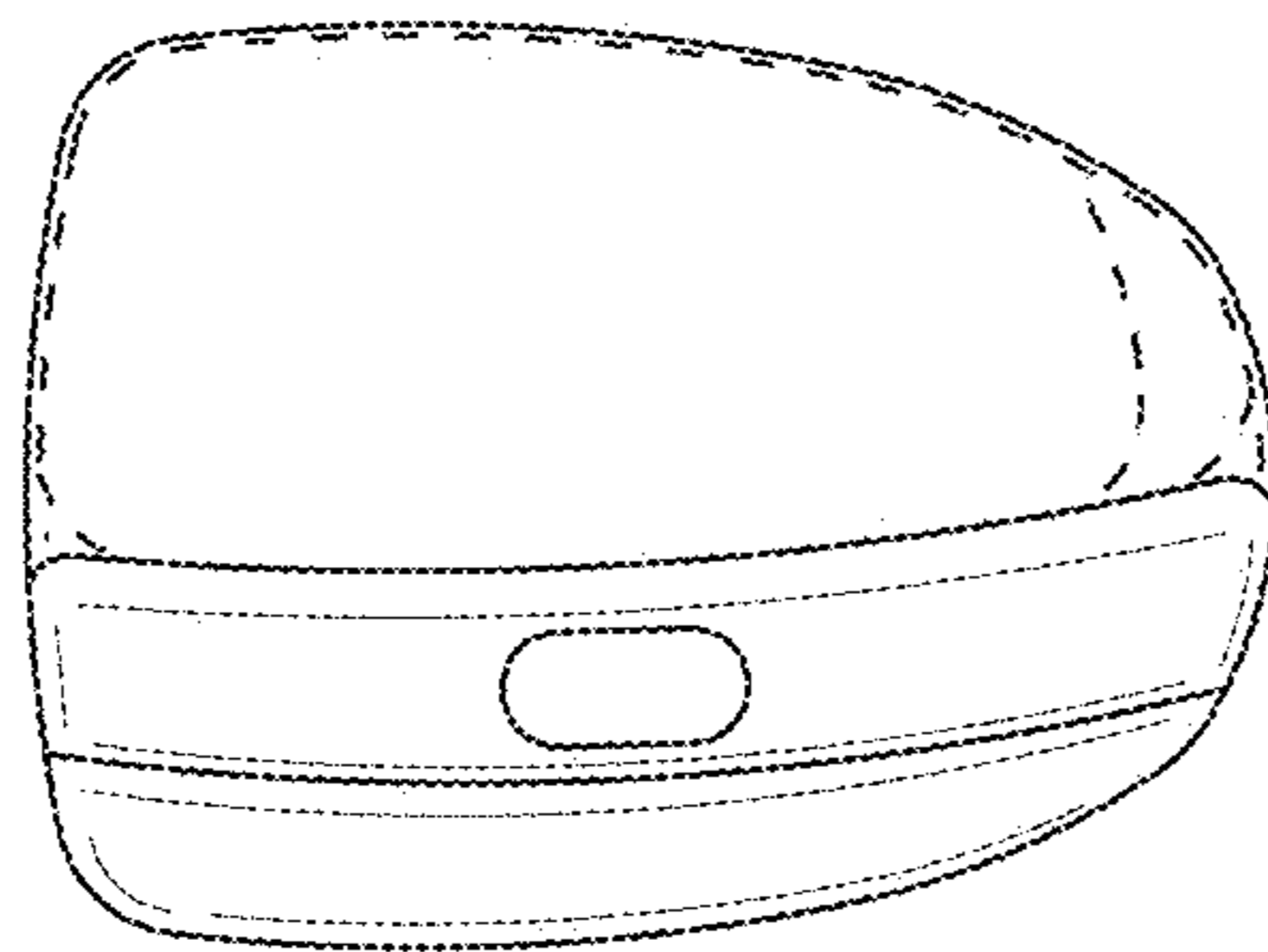


FIG.6

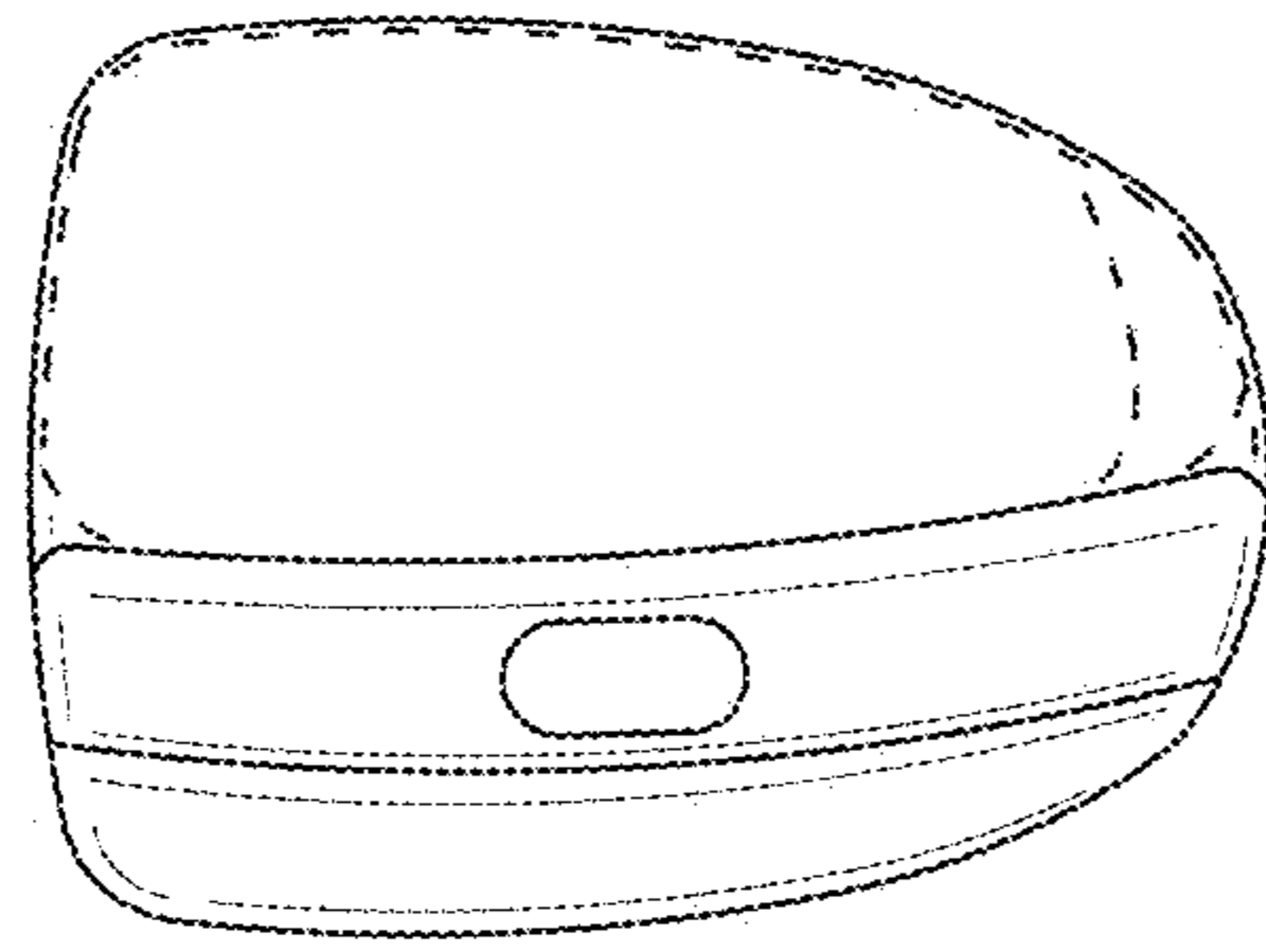


FIG. 7