



US00D762087S

(12) **United States Design Patent**
Cross

(10) **Patent No.:** **US D762,087 S**

(45) **Date of Patent:** **** Jul. 26, 2016**

(54) **ADAPTER SYSTEM FOR FOOD STORAGE CONTAINER**

(71) Applicant: **Rokbox Industires, LLC**, New Braunfels, TX (US)

(72) Inventor: **Ben Cross**, New Braunfels, TX (US)

(73) Assignee: **RokBox Industries, LLC**, New Braunfels, TX (US)

(**) Term: **14 Years**

(21) Appl. No.: **29/509,680**

(22) Filed: **Nov. 20, 2014**

(51) **LOC (10) Cl.** **07-01**

(52) **U.S. Cl.**
USPC **D7/629**

(58) **Field of Classification Search**
USPC D7/629, 628, 630, 601, 602, 538–542,
D7/612–615; D9/424–432; D3/201
CPC B65D 43/02; B65D 43/14; B65D 43/16;
B65D 2543/00092; B65D 2543/00296; B65D
2543/00537
See application file for complete search history.

(56) **References Cited**

U.S. PATENT DOCUMENTS

D246,560 S * 12/1977 Beauchamp 220/534
D302,774 S * 8/1989 Murphy D7/629
D330,996 S * 11/1992 Smith D7/629
D332,204 S * 1/1993 Carlson D7/629
D379,138 S * 5/1997 Carlson D7/629
D442,438 S * 5/2001 Schankowski D14/168
D445,307 S * 7/2001 Fickle D7/605
6,305,185 B1 * 10/2001 Sloan A45C 5/14
62/235.1

D449,967 S * 11/2001 Moffett, III D7/605
D463,717 S * 10/2002 Krieger D7/605
D467,468 S * 12/2002 Krieger D7/605
D497,783 S * 11/2004 Krieger D7/605
D502,059 S * 2/2005 Bukowski D7/605
D536,580 S * 2/2007 Krieger D7/605
D585,703 S * 2/2009 French D12/316
D728,939 S * 5/2015 Suomela D3/304
D750,140 S * 2/2016 Cross D15/81

* cited by examiner

Primary Examiner — George D. Kirschbaum

Assistant Examiner — Clese Moore, Jr.

(74) *Attorney, Agent, or Firm* — Shannon L Warren

(57) **CLAIM**

The ornamental design for an adapter system for food storage container, as shown.

DESCRIPTION

FIG. 1 illustrates a perspective front left side overview of an adapter system for food storage container illustrated between a lower food storage device portion and an upper food storage device portion;

FIG. 2 illustrates a perspective front left side overview of thereof without the illustrative latches;

FIG. 3 illustrates a lower perspective overview thereof;

FIG. 4 illustrates a perspective overview thereof without the upper and lower food storage device portions;

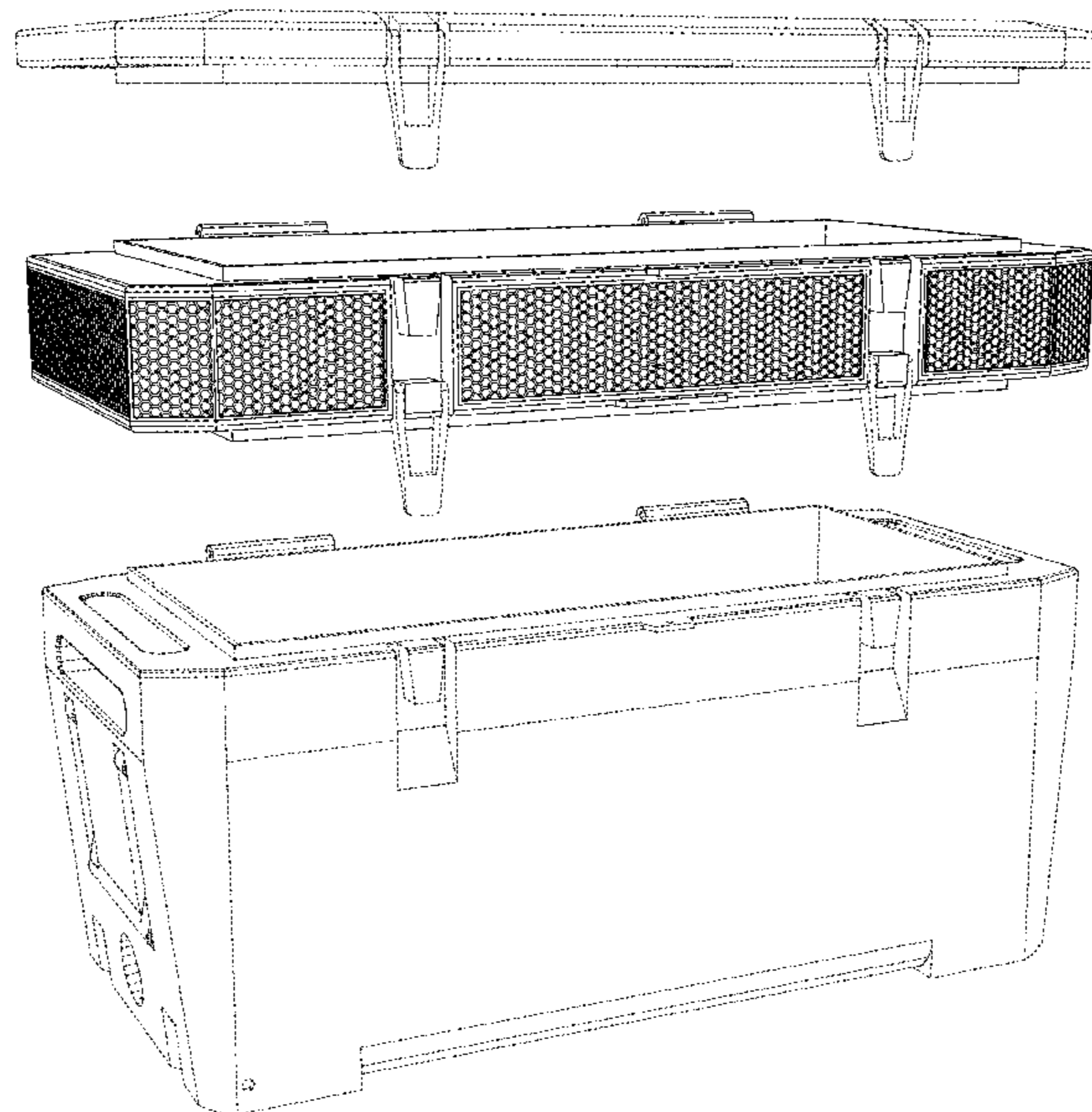
FIG. 5 illustrates an elevated top view thereof;

FIG. 6 illustrates an elevated front view thereof; and,

FIG. 7 illustrates an elevated side view thereof.

The top and bottom portions of the food storage container, as well as the interior circle and square elements shown in broken lines, illustrate portions of the adapter system for food storage container that form no part of the claimed design.

1 Claim, 7 Drawing Sheets



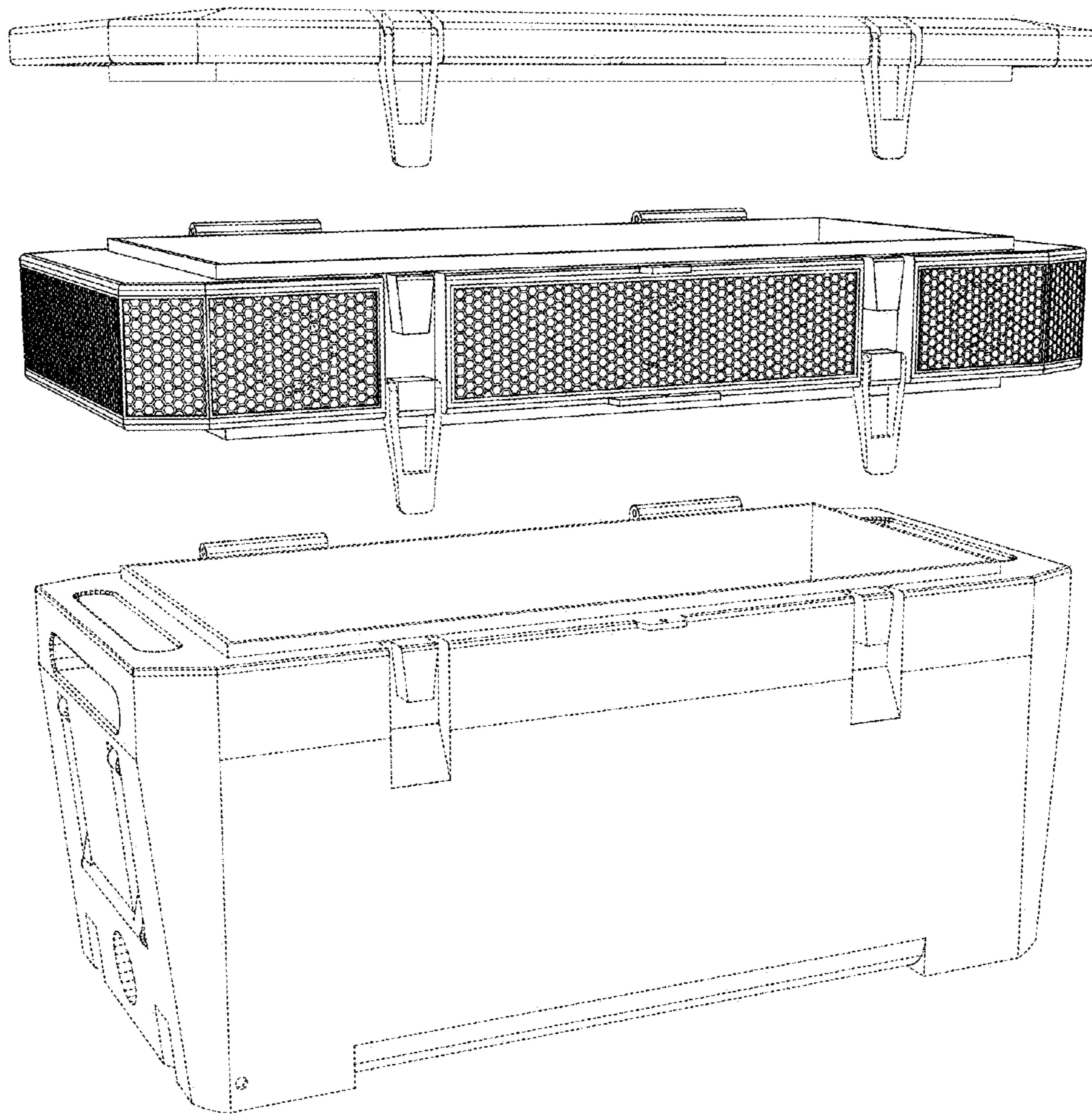


FIG. 1

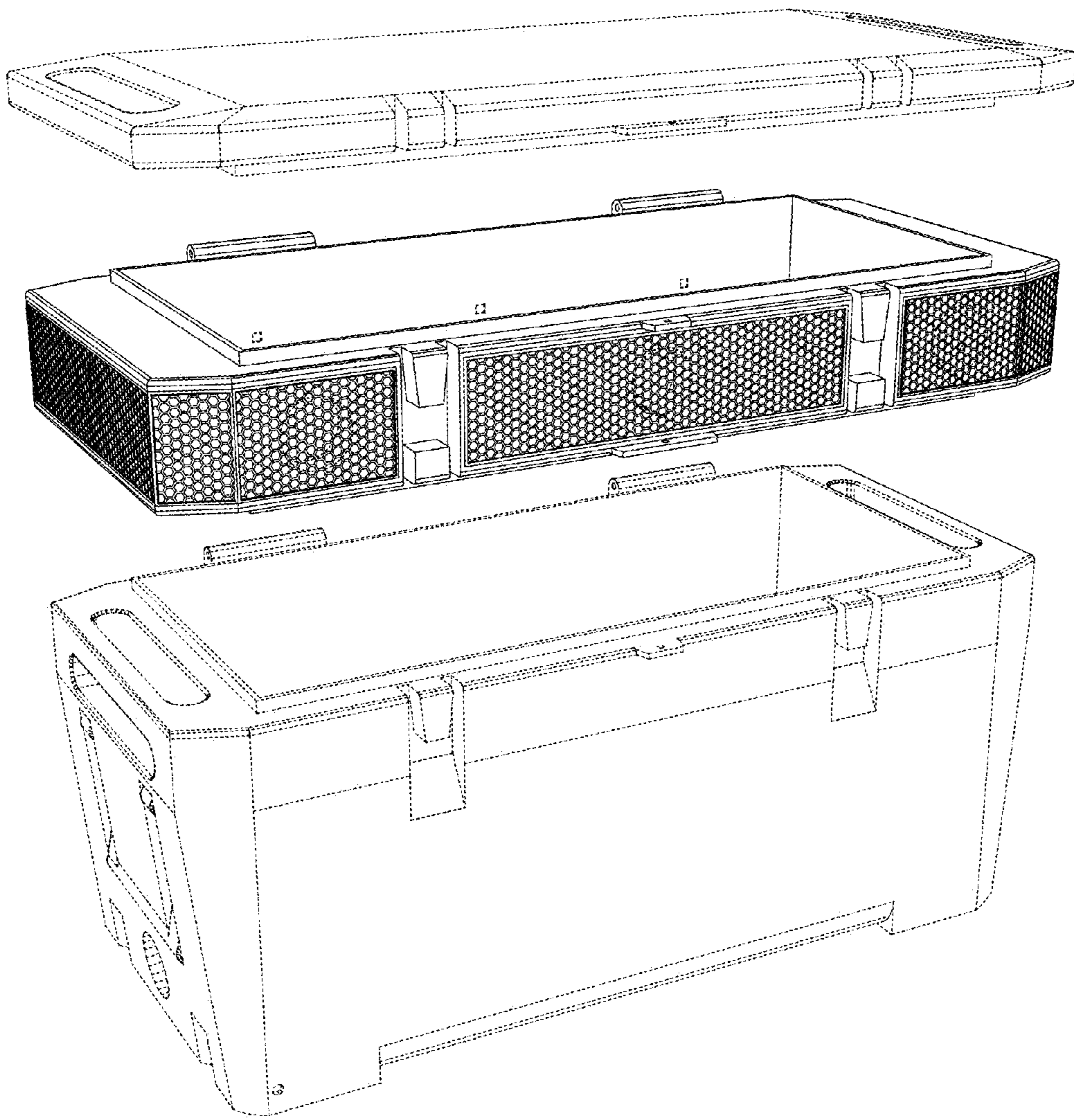


FIG. 2

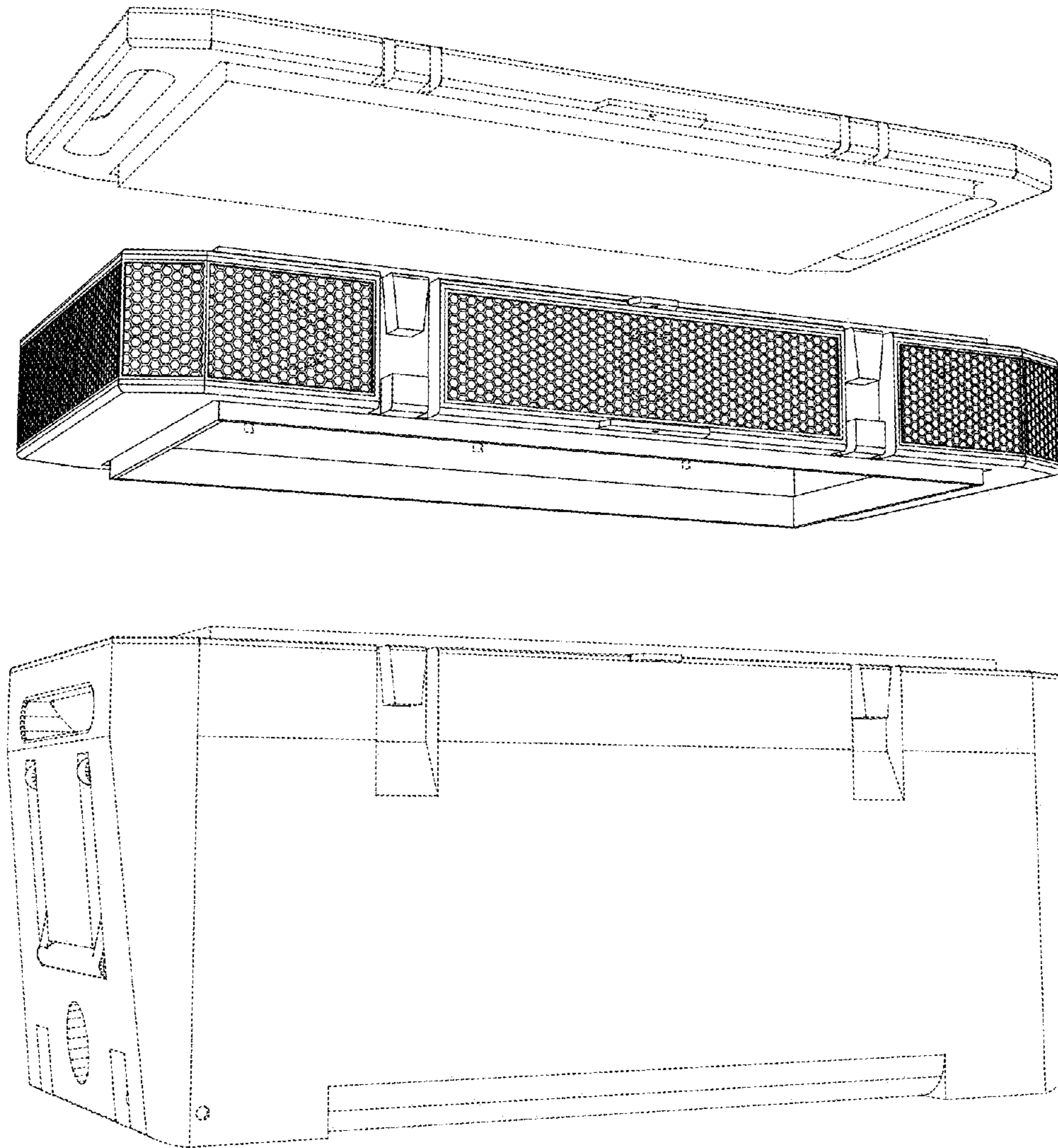


FIG. 3

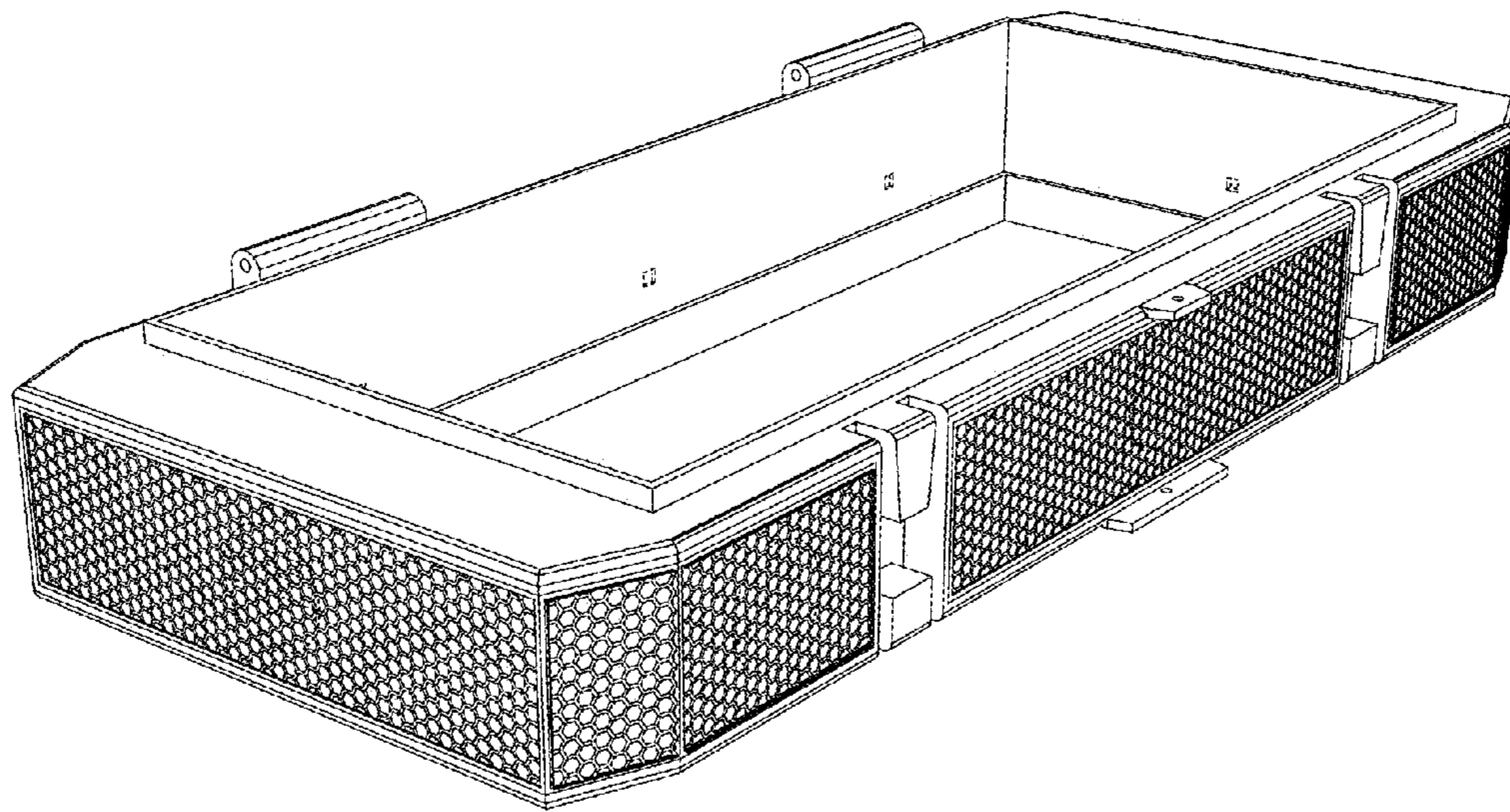


FIG. 4

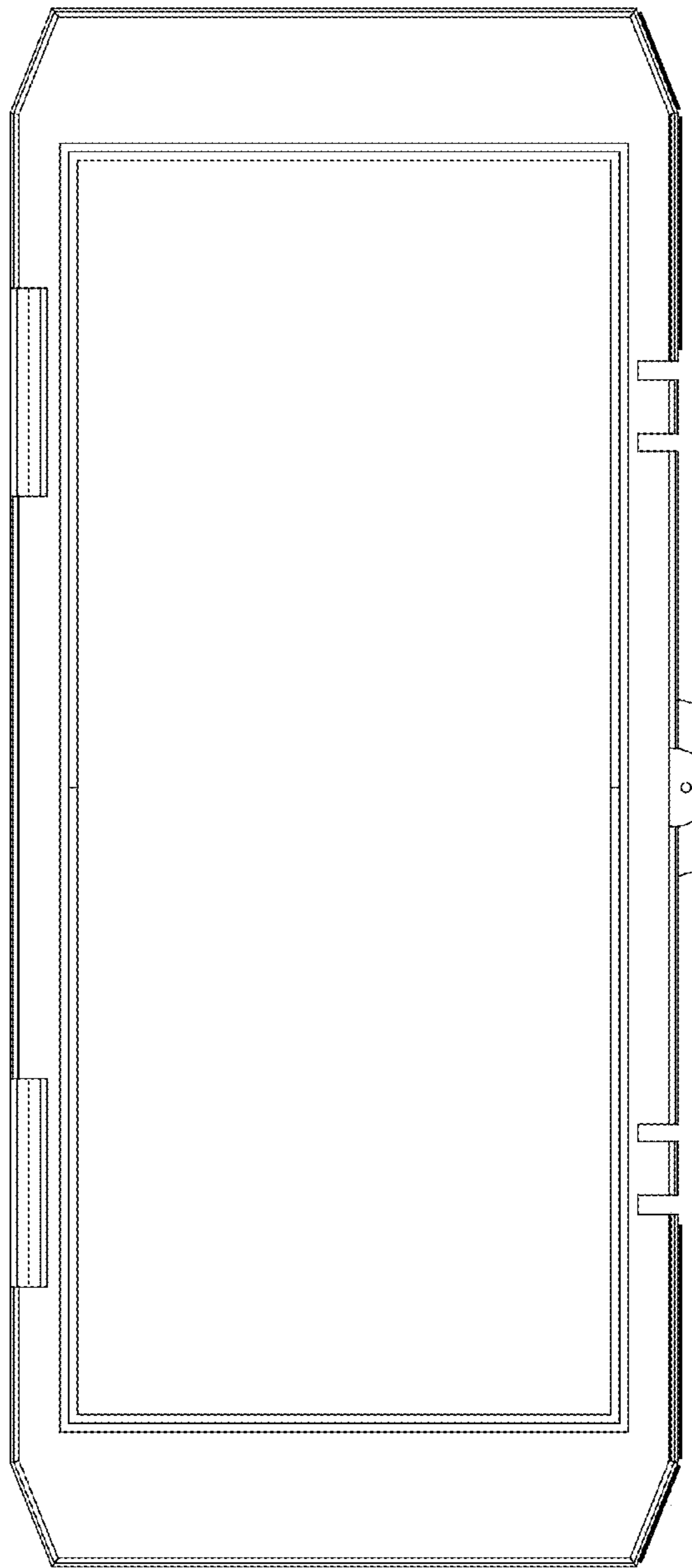


FIG. 5

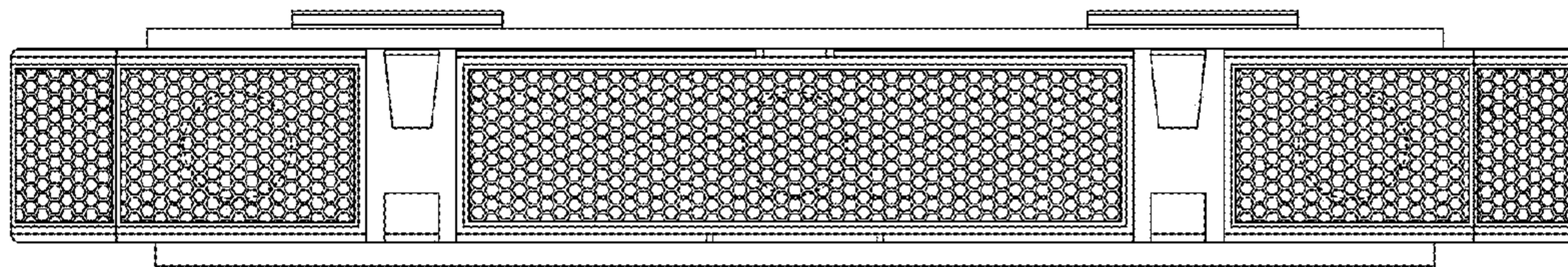


FIG. 6

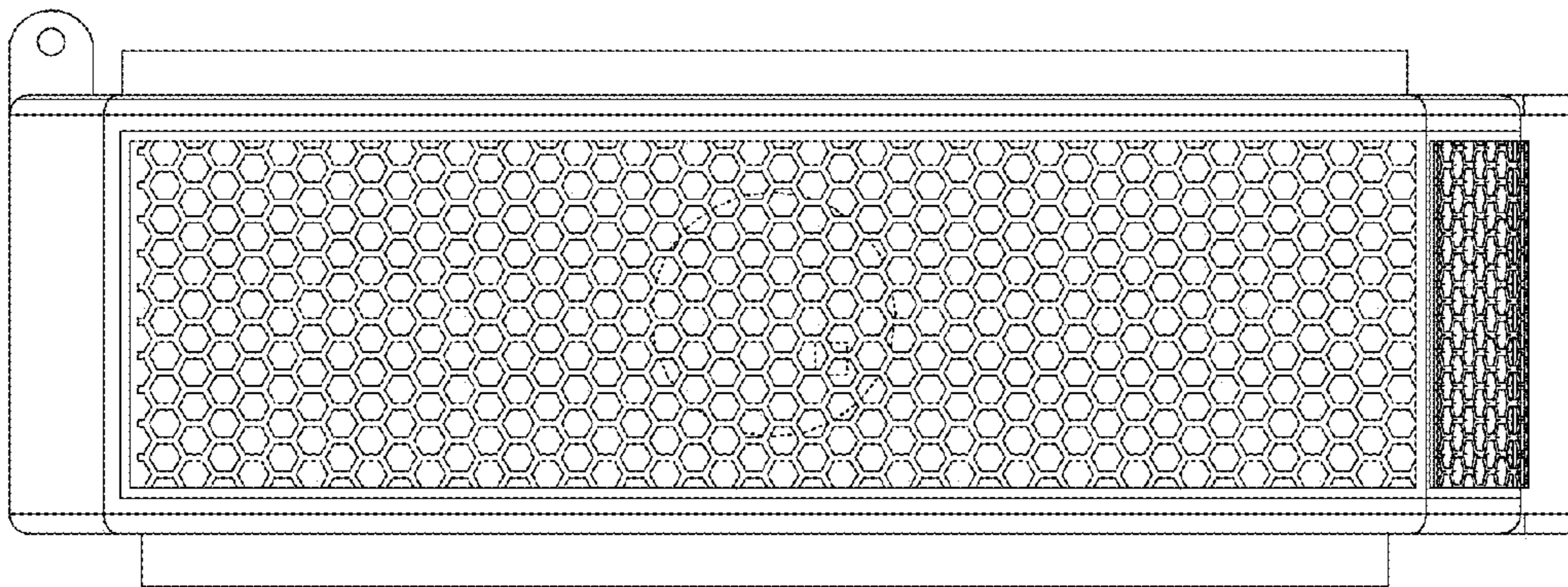


FIG. 7