



US00D762083S

(12) **United States Design Patent**  
**Librus**

(10) **Patent No.:** **US D762,083 S**  
(45) **Date of Patent:** **\*\* Jul. 26, 2016**

(54) **BAKING PAN**

(71) Applicant: **RL Industry Company Ltd.**, Ningbo (CN)

(72) Inventor: **Michael Librus**, Netanya (IL)

(73) Assignee: **RL INDUSTRY COMPANY LTD.**, Ningbo (CN)

(\*\*) Term: **14 Years**

(21) Appl. No.: **29/517,771**

(22) Filed: **Feb. 17, 2015**

(51) **LOC (10) Cl.** ..... **07-02**

(52) **U.S. Cl.**  
USPC ..... **D7/354**

(58) **Field of Classification Search**  
USPC ..... D7/323, 354-361, 543, 545, 549, 550.1, D7/552.1, 553.1-553.8, 554.1-554.4, 555, D7/584, 586, 602; D9/430-433, 455-456, D9/737, 756-762

CPC ..... A21B 3/00; A21B 3/13; A21B 3/15; A21B 3/134; A21B 5/00; A21B 5/02; A47J 36/022; A47J 36/025; A47J 36/027; A47J 37/00; A47J 37/04; B65D 1/22; B65D 1/24; B65D 1/34; B65D 1/36; B65D 81/343; B65D 85/36

See application file for complete search history.

(56) **References Cited**

U.S. PATENT DOCUMENTS

D287,559	S	*	1/1987	Daenen	.....	D7/586
D384,555	S	*	10/1997	Bradley	.....	D7/360
D417,367	S	*	12/1999	Laib	.....	D7/360
D432,361	S	*	10/2000	Jenkins	.....	D7/554.3
D457,784	S	*	5/2002	Torniainen	.....	D7/543
D475,246	S	*	6/2003	Jørgensen	.....	D7/545
D490,643	S	*	6/2004	Groll	.....	D7/354
D551,492	S	*	9/2007	Schuler	.....	D7/354
D581,203	S	*	11/2008	Simon	.....	D7/354
D653,496	S	*	2/2012	Henry	.....	D7/354
D653,901	S	*	2/2012	Sarnoff	.....	D7/354
D688,084	S	*	8/2013	Henry	.....	D7/354
D731,230	S	*	6/2015	Librus	.....	D7/354

\* cited by examiner

*Primary Examiner* — Ricky Pham

(74) *Attorney, Agent, or Firm* — Mark M. Friedman

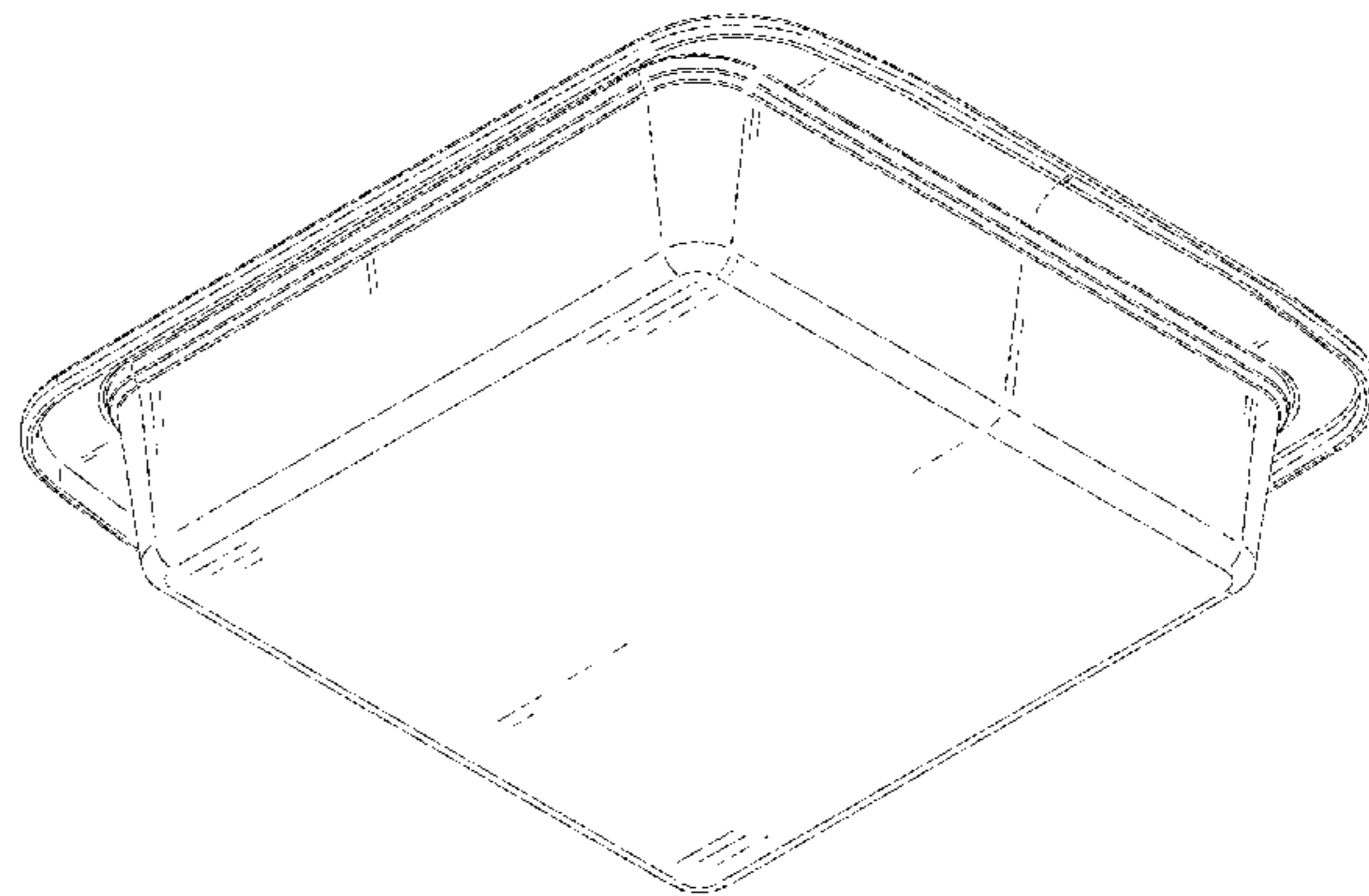
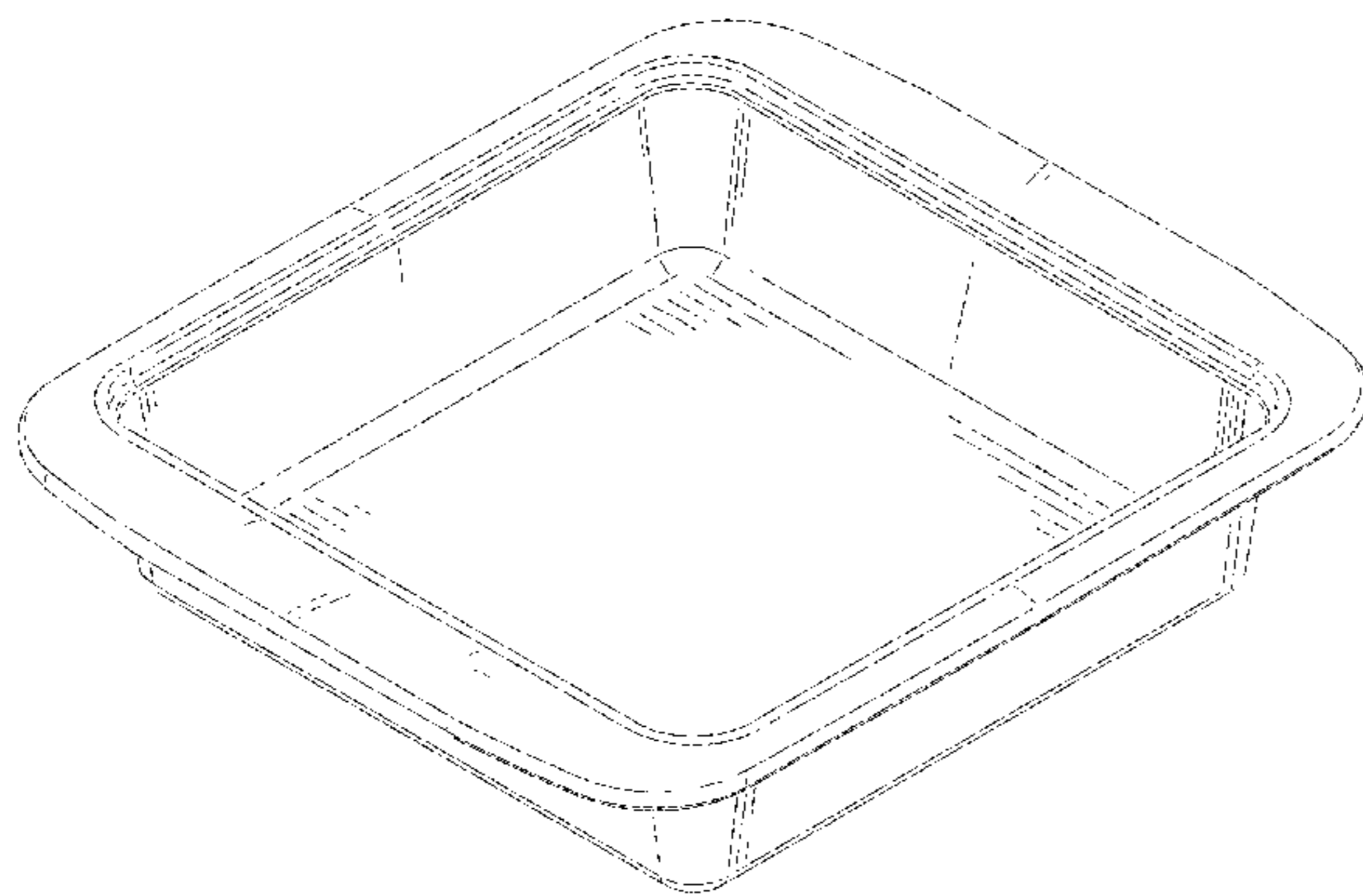
(57) **CLAIM**

The ornamental design for a baking pan, as shown and described.

**DESCRIPTION**

FIG. 1 is a top view of a baking pan showing my design;  
FIG. 2 is a bottom view thereof;  
FIG. 3 is a right side view thereof;  
FIG. 4 is left side view thereof;  
FIG. 5 is a front side view thereof;  
FIG. 6 is a back side view thereof;  
FIG. 7 is a top perspective view thereof; and,  
FIG. 8 is a bottom perspective view thereof.

**1 Claim, 8 Drawing Sheets**



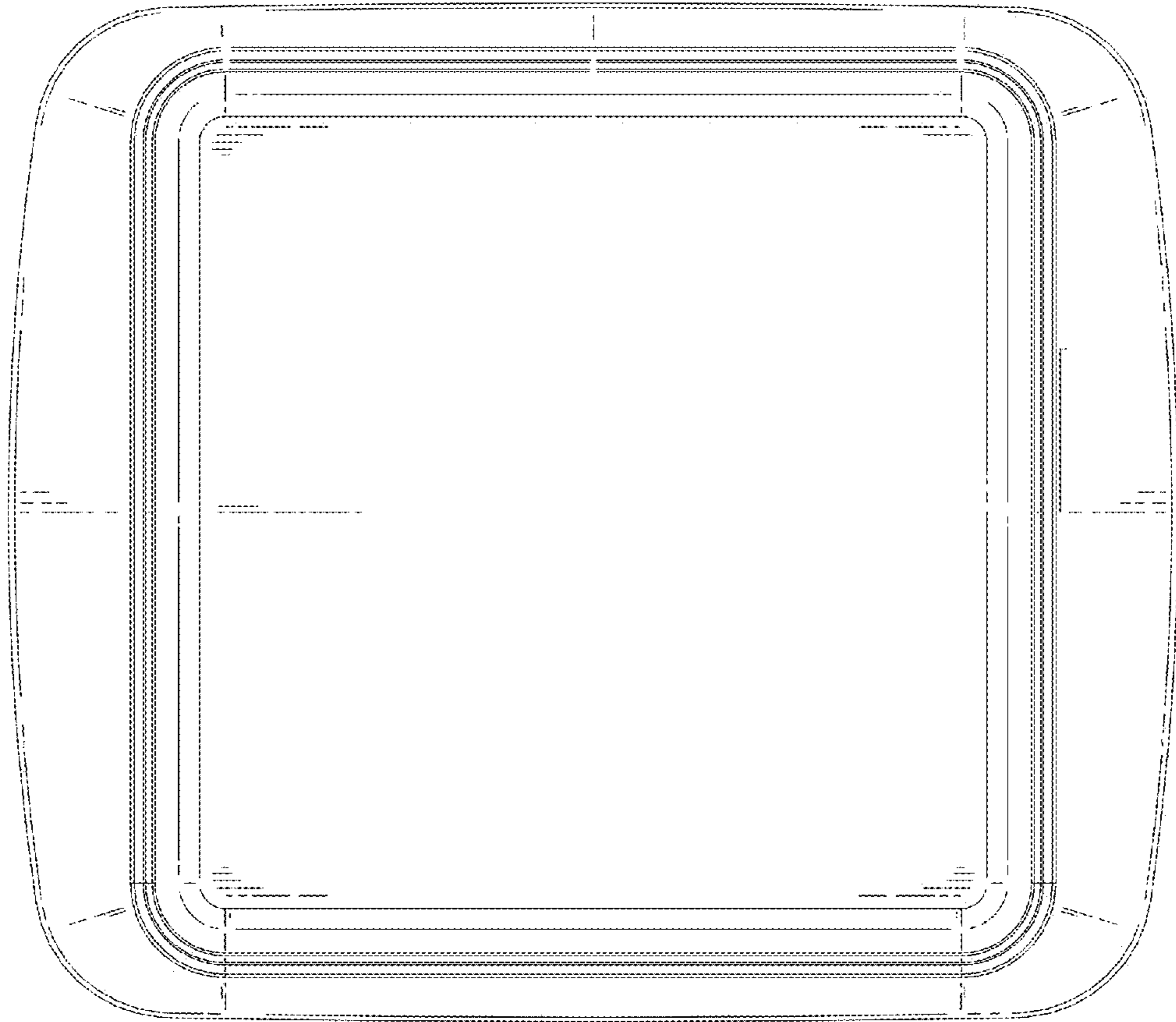


FIG. 1

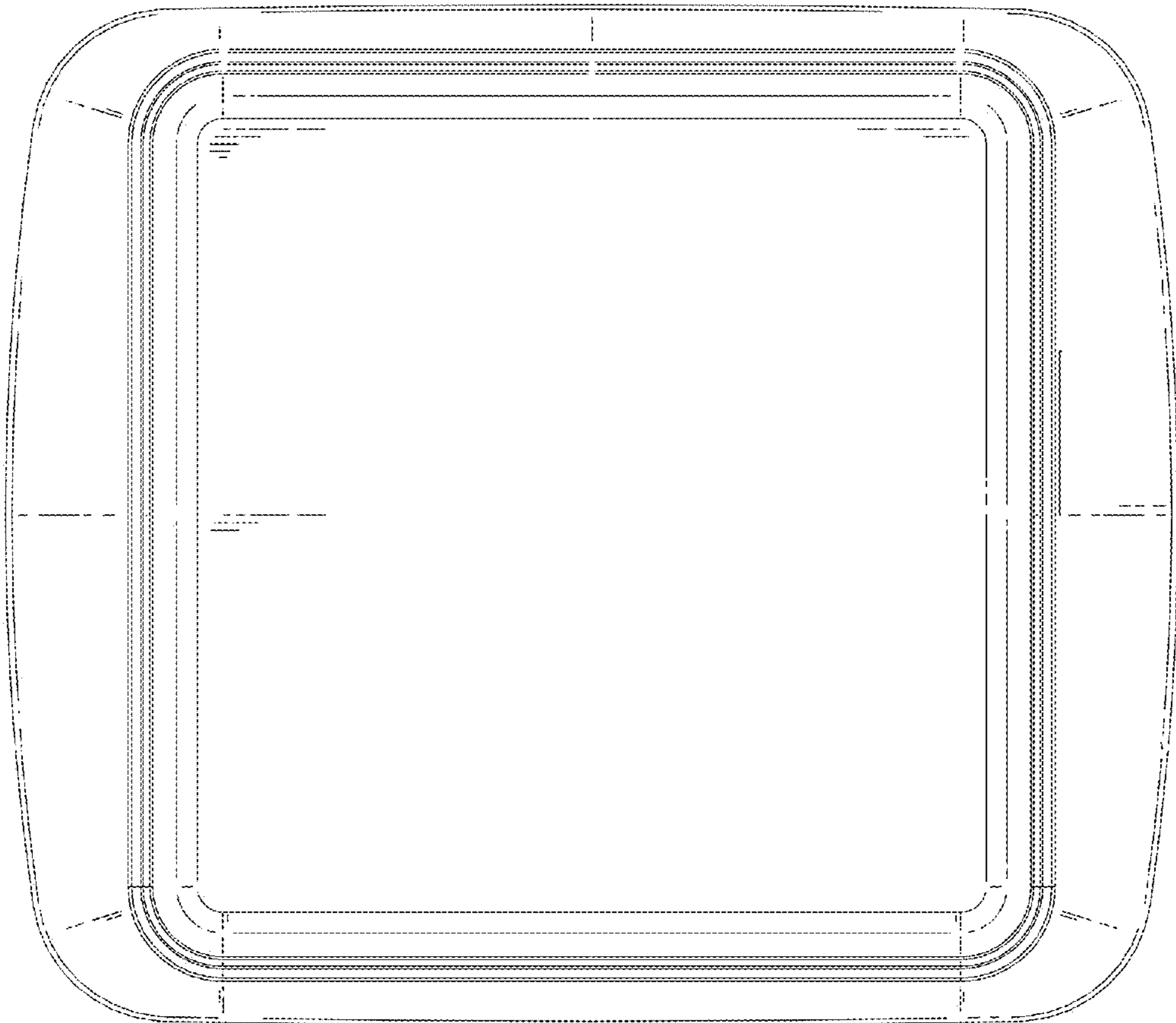


FIG. 2

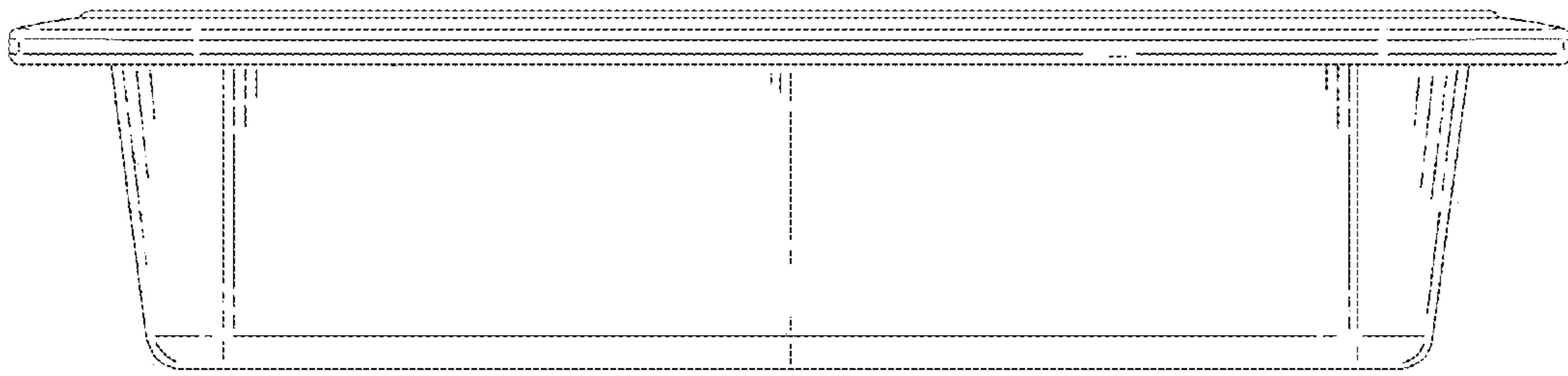


FIG.3

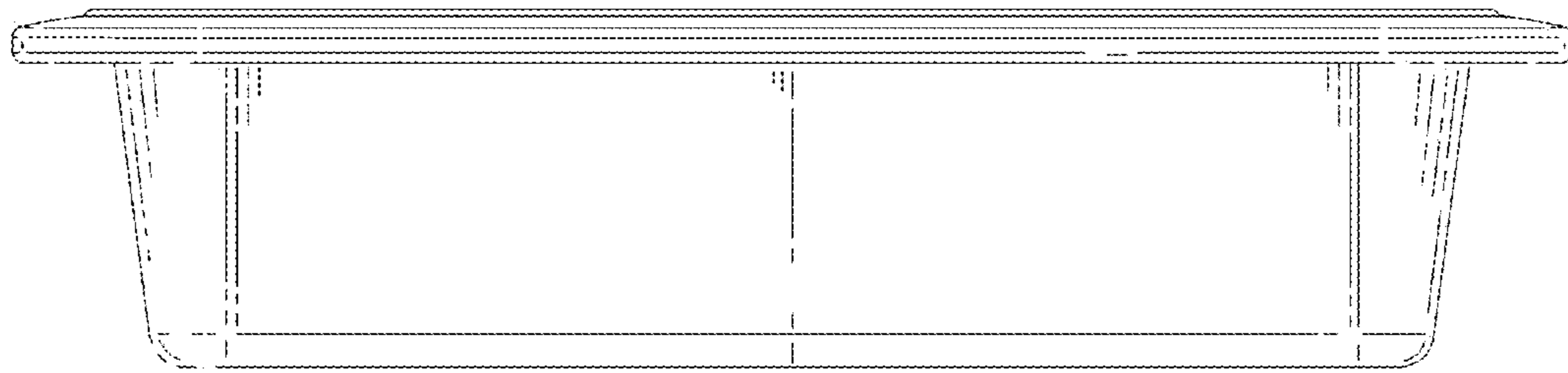


FIG.4

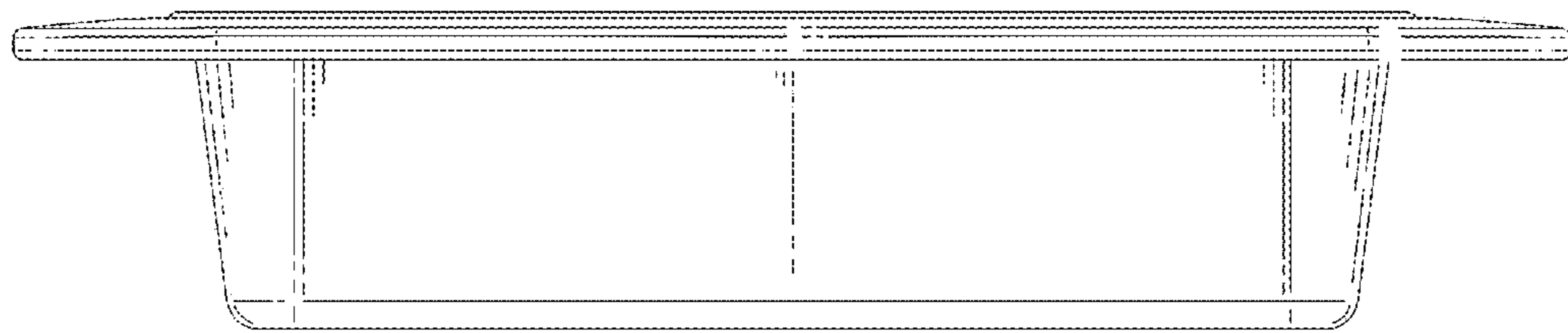


FIG.5

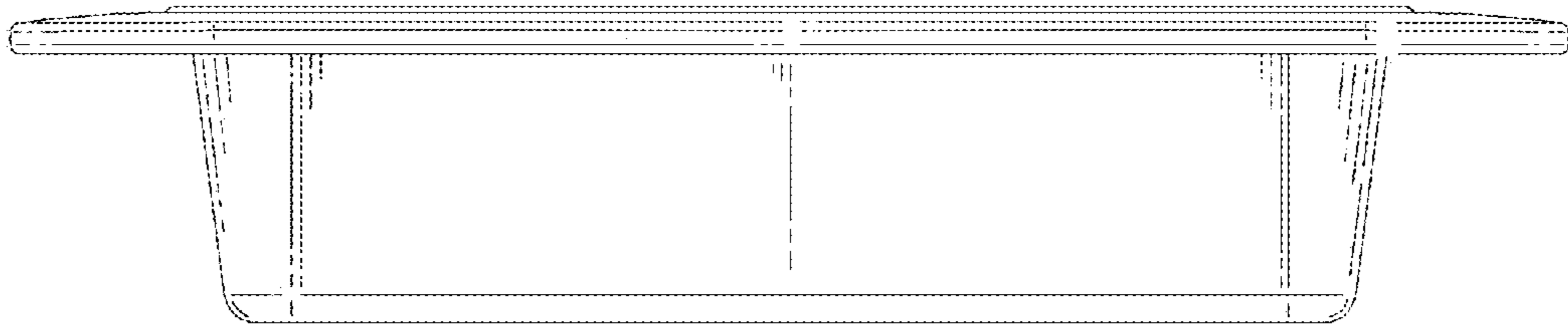


FIG.6

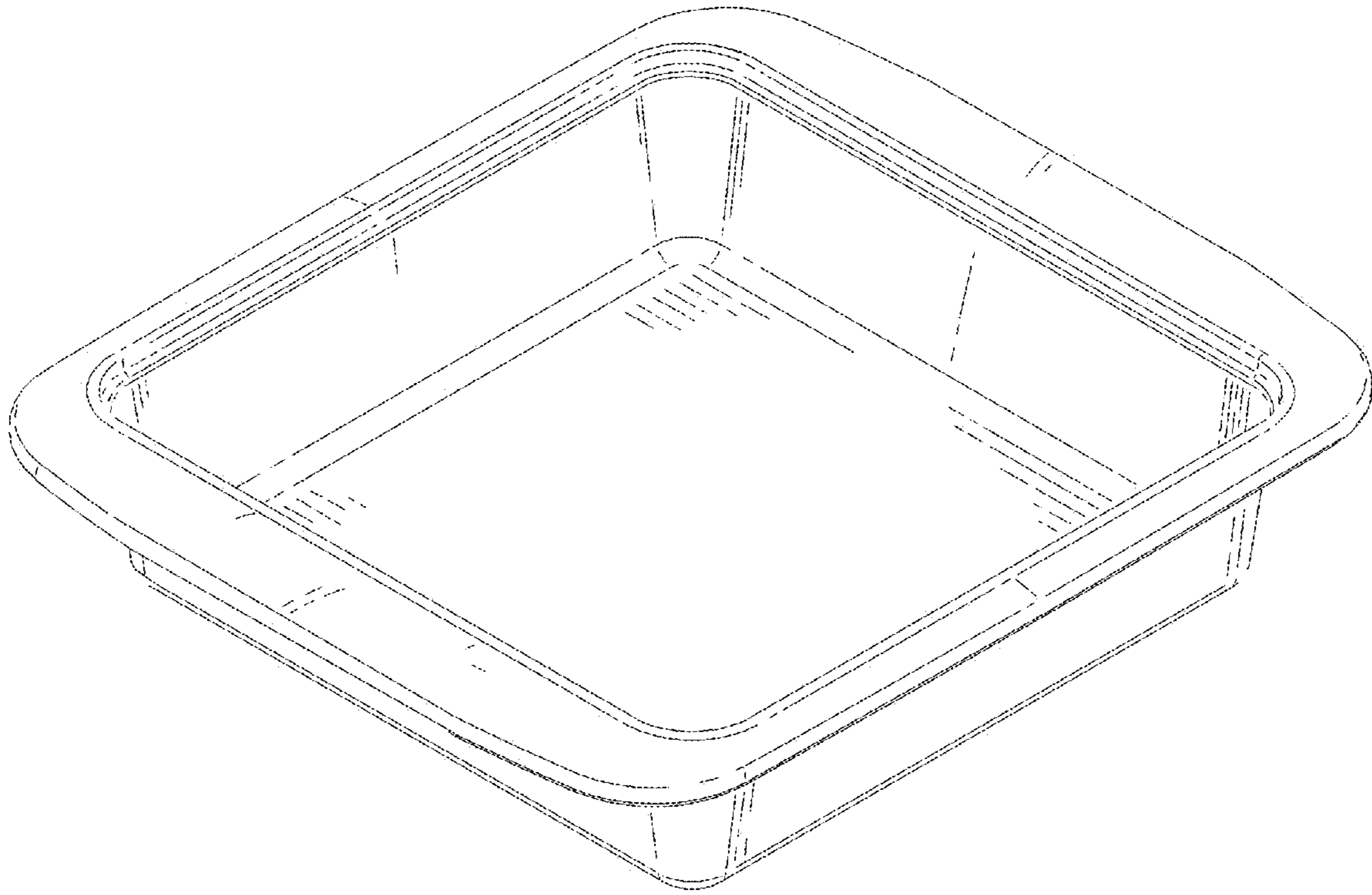


FIG.7



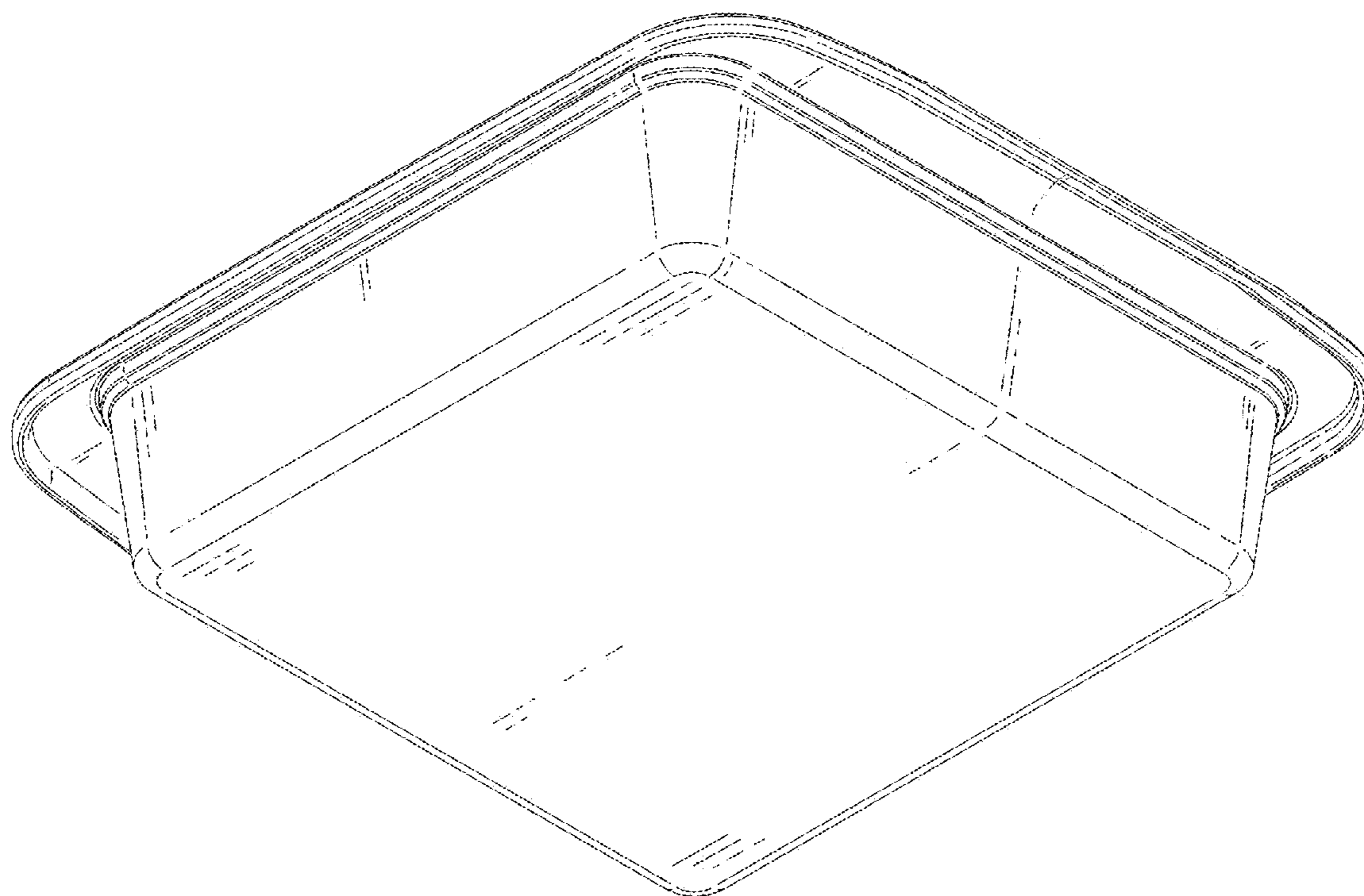


FIG.8