



US00D762082S

(12) **United States Design Patent**
Miceli

(10) **Patent No.:** **US D762,082 S**

(45) **Date of Patent:** **** Jul. 26, 2016**

(54) **FLATBREAD STEAMER**

(71) Applicant: **Matthew Miceli**, Stockholm (SE)

(72) Inventor: **Matthew Miceli**, Stockholm (SE)

(**) Term: **14 Years**

(21) Appl. No.: **29/516,999**

(22) Filed: **Feb. 9, 2015**

(51) **LOC (10) Cl.** **07-02**

(52) **U.S. Cl.**
USPC **D7/352**

(58) **Field of Classification Search**
USPC D7/323, 328-330, 337, 347, 352-364,
D7/367, 402, 409-411
CPC A21B 5/023; A47J 27/60; A47J 27/62;
A47J 37/04; A47J 37/06; A47J 37/067;
A47J 37/0605; A47J 37/0611; A47J 37/0623;
A47J 37/0629; A47J 37/0676; A47J 2037/06;
A47J 2037/0611; F24C 15/10; F24C 15/102;
H05B 6/02; H05B 6/062

See application file for complete search history.

(56) **References Cited**

U.S. PATENT DOCUMENTS

D309,844 S *	8/1990	Storsberg	D7/352
D334,108 S *	3/1993	Fisher	D7/323
D364,992 S *	12/1995	Wooderson	D7/323
D411,937 S *	7/1999	Siegler	D7/352
D419,823 S *	2/2000	Choi	D7/352
D467,766 S *	12/2002	Wanat	D7/352
D509,989 S *	9/2005	Steinberg	D7/352
D543,410 S *	5/2007	Cohen	D7/352
D602,732 S *	10/2009	Busse	D7/352

D677,513 S *	3/2013	Blacken	D7/352
D706,569 S *	6/2014	Fung	D7/352
D707,075 S *	6/2014	Fung	D7/352
D747,131 S *	1/2016	Takayama	D7/352

* cited by examiner

Primary Examiner — Ricky Pham

(74) *Attorney, Agent, or Firm* — McAndrews, Held & Malloy, Ltd.

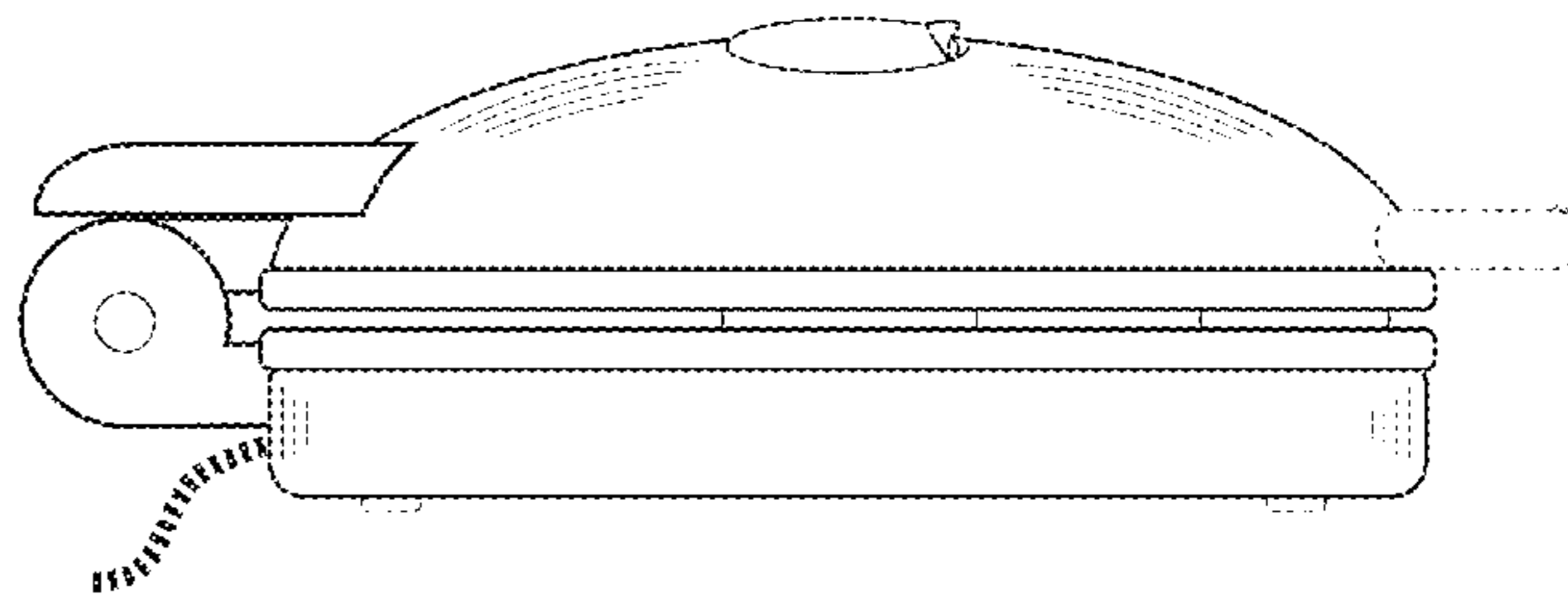
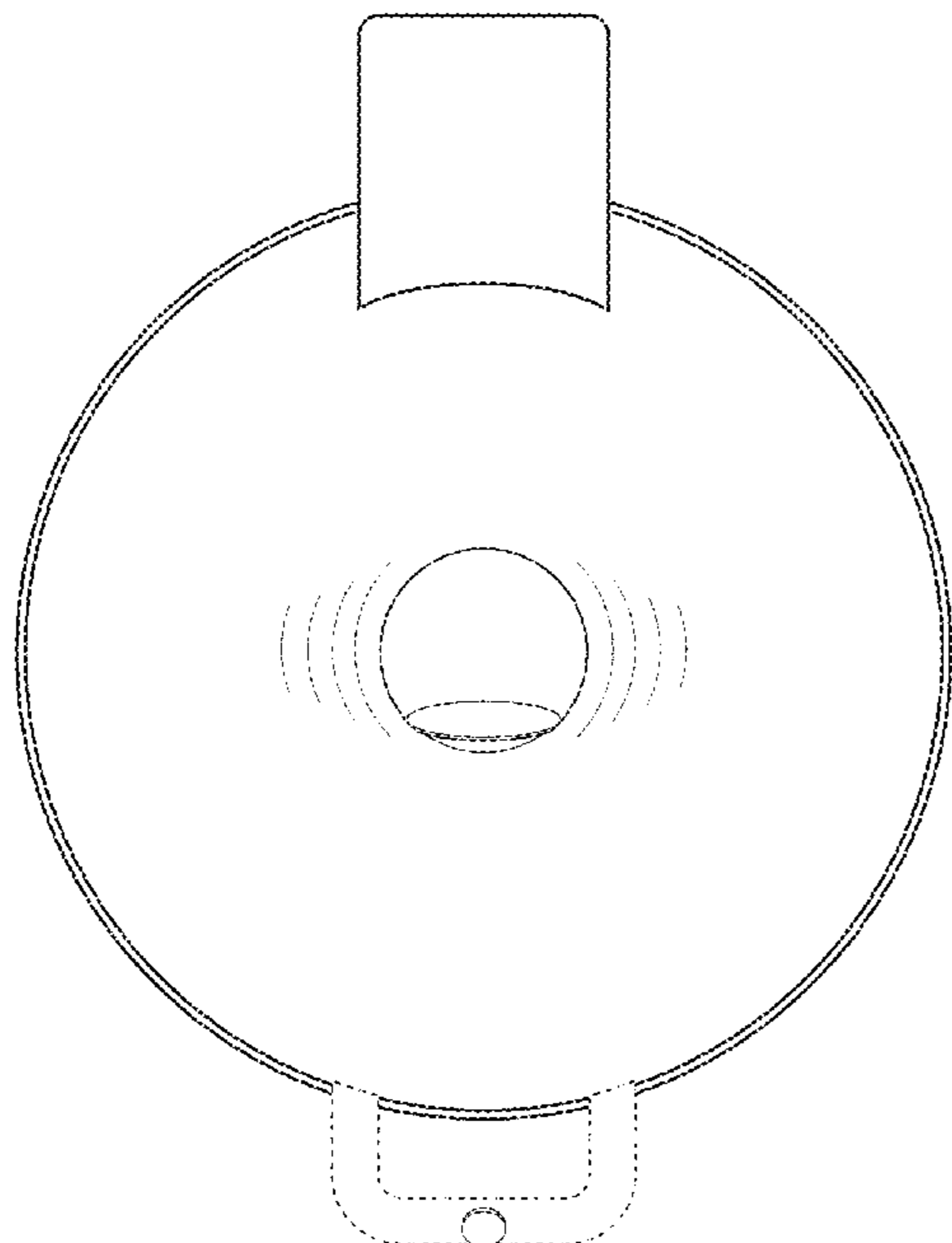
(57) **CLAIM**

The ornamental design for a flatbread steamer, as shown and described.

DESCRIPTION

FIG. 1 is a bottom plan view of a flatbread steamer showing my new design in a closed position;
 FIG. 2 is a top plan view thereof;
 FIG. 3 is a front side elevation view thereof;
 FIG. 4 is a left side elevation view thereof showing the water port cover in a closed position, the right side view being a mirror image thereof;
 FIG. 5 is a left side elevation view thereof showing the water port cover in an open position, the right side view being a mirror image thereof;
 FIG. 6 is a left side elevation view thereof showing my design in a partially open position, the right side view being a mirror image thereof; and,
 FIG. 7 is a top plan view thereof showing my design in a fully open position.
 The dashed broken lines illustrating portions of the bandage are for environmental purposes only and form no part of the claimed design.

1 Claim, 7 Drawing Sheets



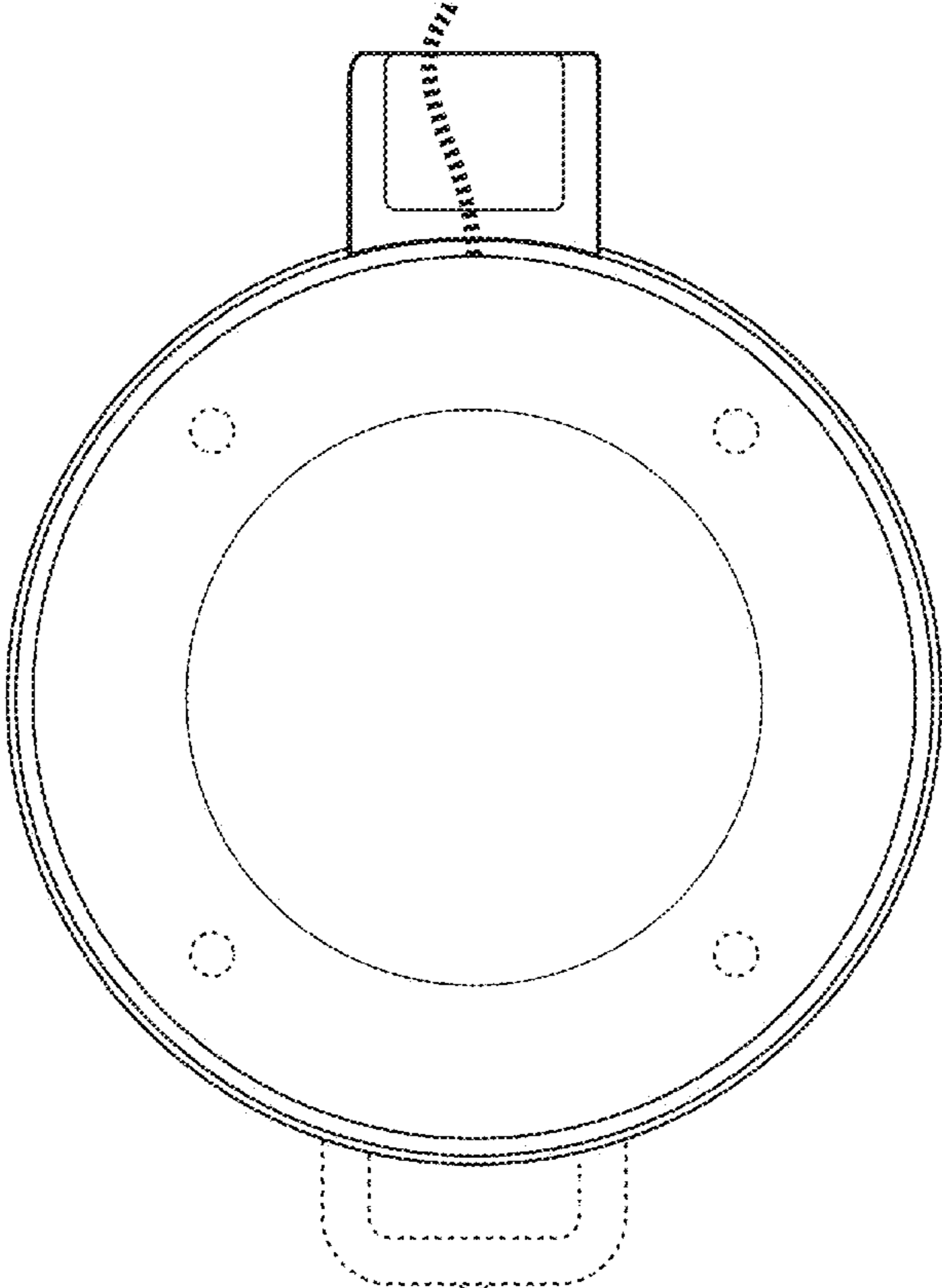


FIG. 1

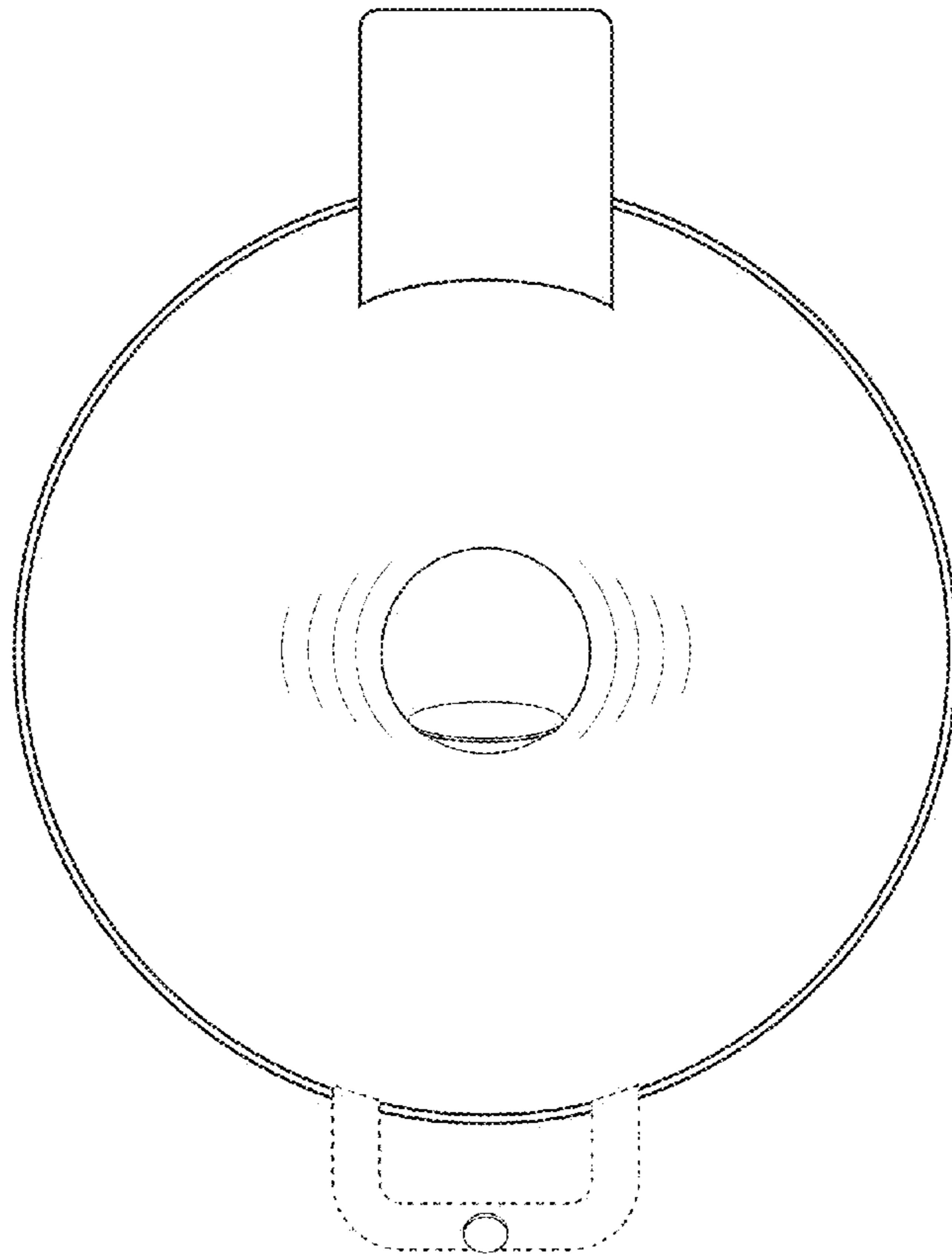


FIG. 2

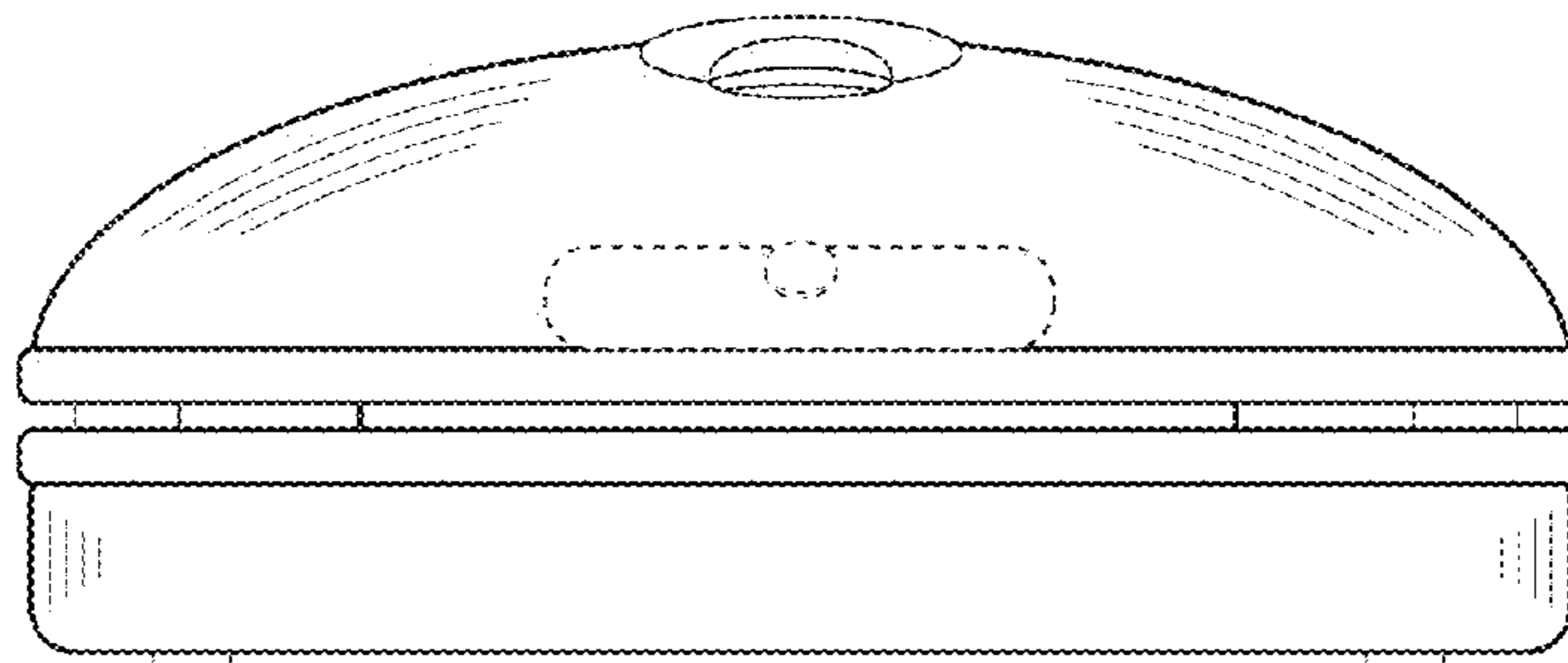


FIG. 3

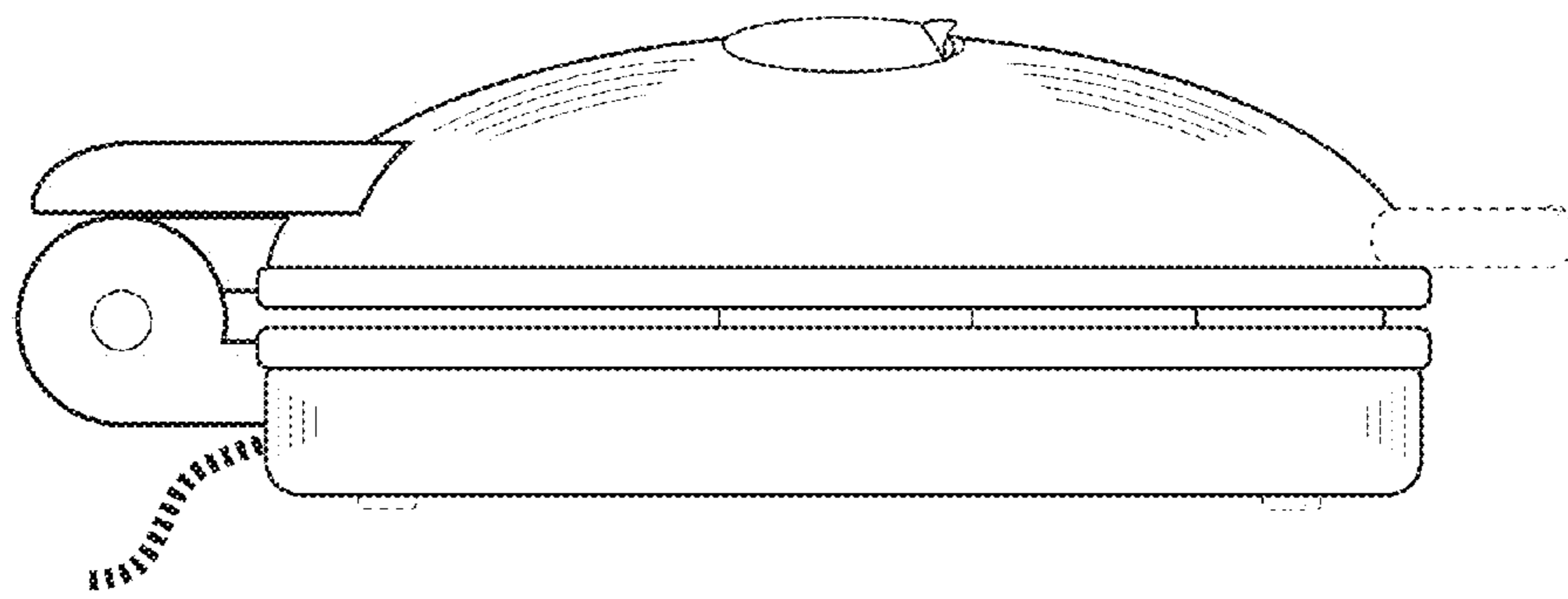


FIG. 4

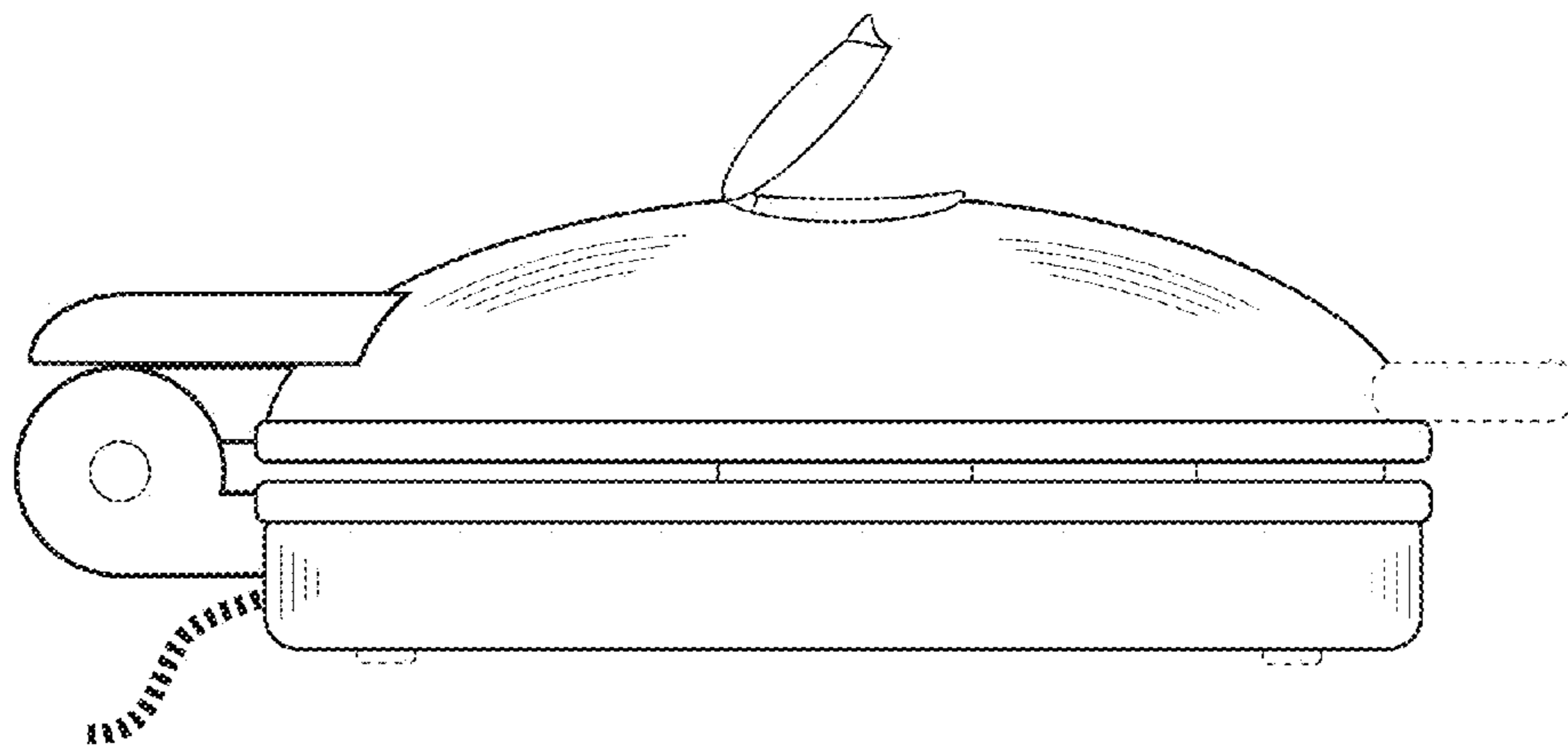


FIG. 5

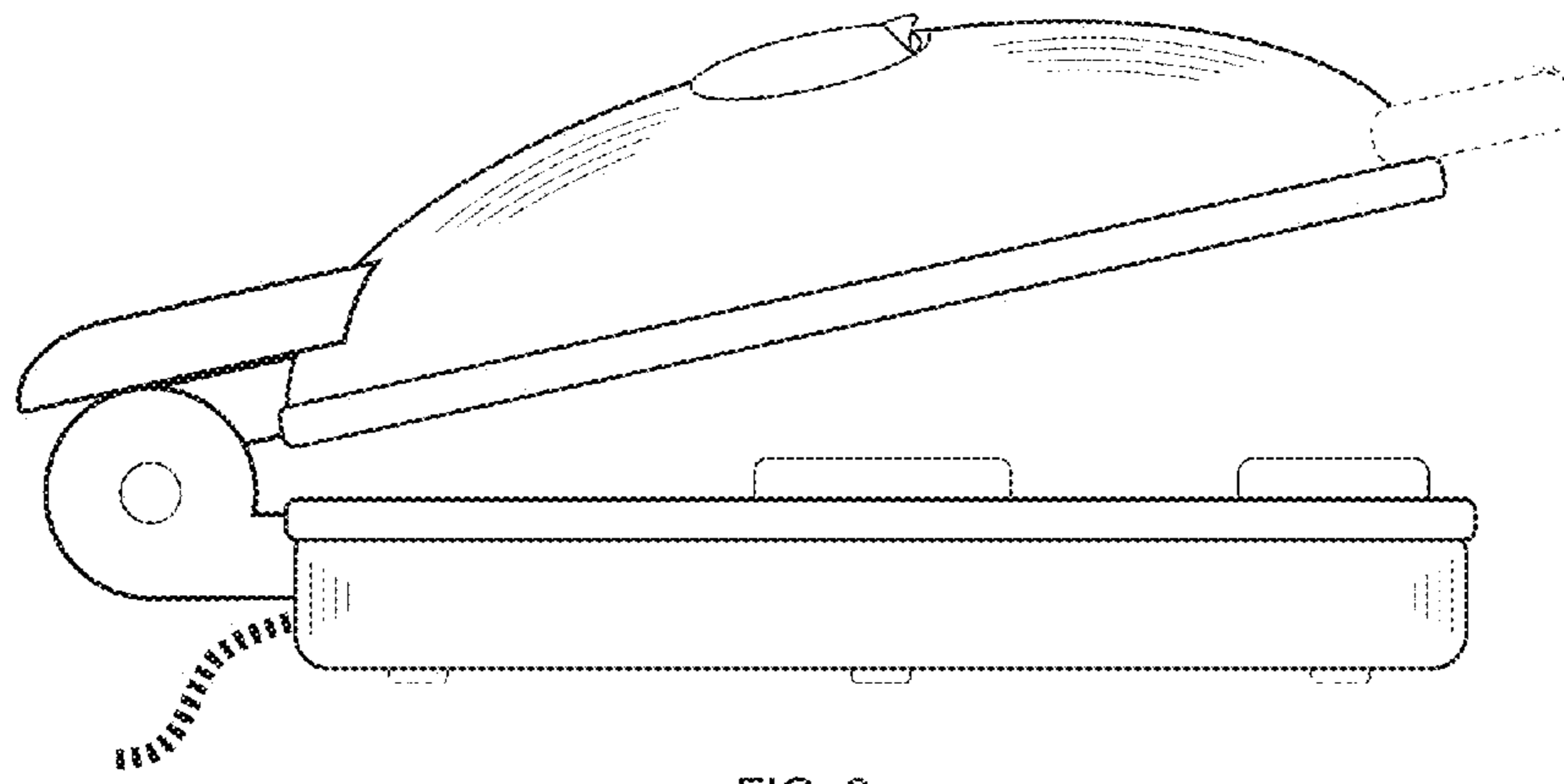


FIG. 6

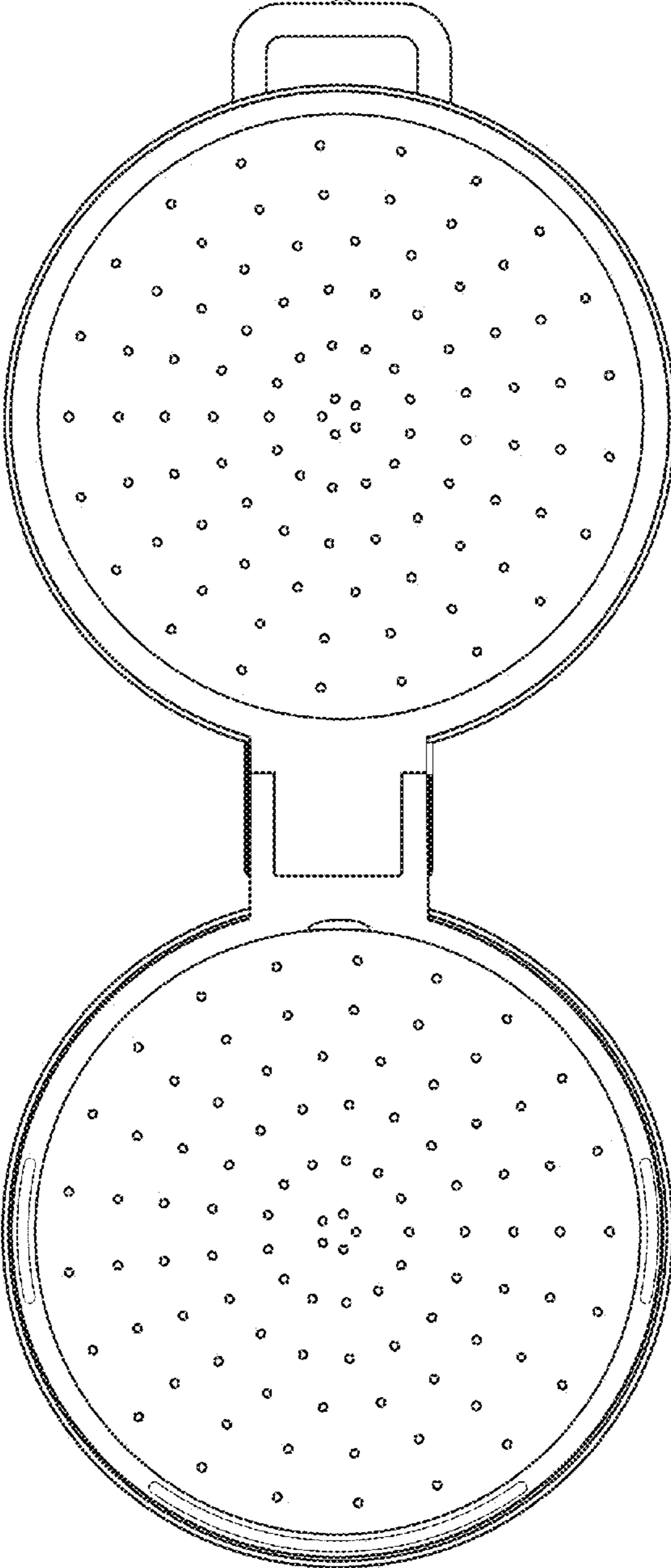


FIG. 7