



US00D762079S

(12) **United States Design Patent**  
**Oberwelz et al.**

(10) **Patent No.:** **US D762,079 S**  
(45) **Date of Patent:** **\*\* Jul. 26, 2016**

- (54) **MATTRESS COVER ASSEMBLY**
- (71) Applicant: **Tempur-Pedic Management, LLC**,  
Lexington, KY (US)
- (72) Inventors: **Elger Oberwelz**, San Francisco, CA  
(US); **Kara W. Johnson**, San Francisco,  
CA (US); **Thomas D. C. Overthun**, San  
Francisco, CA (US); **Isabela Dias de**  
**Mello Sa**, San Francisco, CA (US); **Eric**  
**Lopez**, San Francisco, CA (US); **Martin**  
**Schnitzer**, San Francisco, CA (US);  
**Thomas Brisebras**, San Francisco, CA  
(US); **Mihoko Ouchi**, Oakland, CA (US)
- (73) Assignee: **Tempur-Pedic Management, LLC**,  
Lexington, KY (US)

- 5,127,115 A \* 7/1992 Williams ..... A47G 9/0246  
112/475.08
- D352,634 S \* 11/1994 Canning ..... 5/736
- 5,603,132 A \* 2/1997 Zafiroglu ..... A47G 9/0246  
5/497
- D379,014 S \* 4/1997 Woods, II ..... D30/118
- 5,896,605 A \* 4/1999 Branman ..... A47C 21/00  
5/716
- 5,970,544 A \* 10/1999 Kardell ..... A47G 9/0246  
5/496
- 6,048,426 A \* 4/2000 Pratt ..... B29C 70/20  
156/177
- D507,446 S \* 7/2005 Yeh ..... D6/604
- D525,437 S \* 7/2006 Leisch ..... D5/53
- D527,909 S \* 9/2006 Leisch ..... D5/53
- 7,698,758 B2 \* 4/2010 Wootten, Jr. .... A47G 9/0246  
5/497
- D650,994 S \* 12/2011 Sheehan ..... D5/56
- 2011/0308015 A1 \* 12/2011 Newham ..... G08B 21/22  
5/499

- (\*\*) Term: **15 Years**
- (21) Appl. No.: **29/541,591**
- (22) Filed: **Oct. 6, 2015**

\* cited by examiner

*Primary Examiner* — Eric Goodman  
*Assistant Examiner* — Bao-Yen Nguyen

**Related U.S. Application Data**

- (62) Division of application No. 29/478,166, filed on Dec.  
31, 2013, now Pat. No. Des. 742,660.
- (51) **LOC (10) Cl.** ..... **06-09**
- (52) **U.S. Cl.**  
USPC ..... **D6/606**
- (58) **Field of Classification Search**  
USPC ..... D6/305, 382, 383, 391, 393, 394, 395,  
D6/406.6, 595, 596, 601, 602, 603, 604,  
D6/605, 606, 607, 622, 690, 718.31; D5/7,  
D5/32, 37, 39, 53, 55, 56, 57, 66  
CPC ..... A47C 27/04; A47C 27/045; A47C 27/06;  
A47C 27/053; A47C 27/056  
See application file for complete search history.

(57) **CLAIM**

The ornamental design for a mattress cover assembly, as shown and described.

**DESCRIPTION**

FIG. 1 is a front elevational view of the mattress cover assembly of the present invention;  
 FIG. 2 is a rear elevational view of the mattress cover assembly of FIG. 1;  
 FIG. 3 is a left side elevational view of the mattress cover assembly of FIG. 1;  
 FIG. 4 is a right side elevational view of the mattress cover assembly of FIG. 1;  
 FIG. 5 is a top view of the mattress cover assembly of FIG. 1;  
 FIG. 6 is a bottom view of the mattress cover assembly of FIG. 1; and,  
 FIG. 7 is a perspective view of the mattress cover assembly of FIG. 1. The broken lines depict portions of the article and form no part of the claimed design.

(56) **References Cited**

**U.S. PATENT DOCUMENTS**

- 4,790,519 A \* 12/1988 Stewart ..... A47C 27/001  
267/103

**1 Claim, 5 Drawing Sheets**

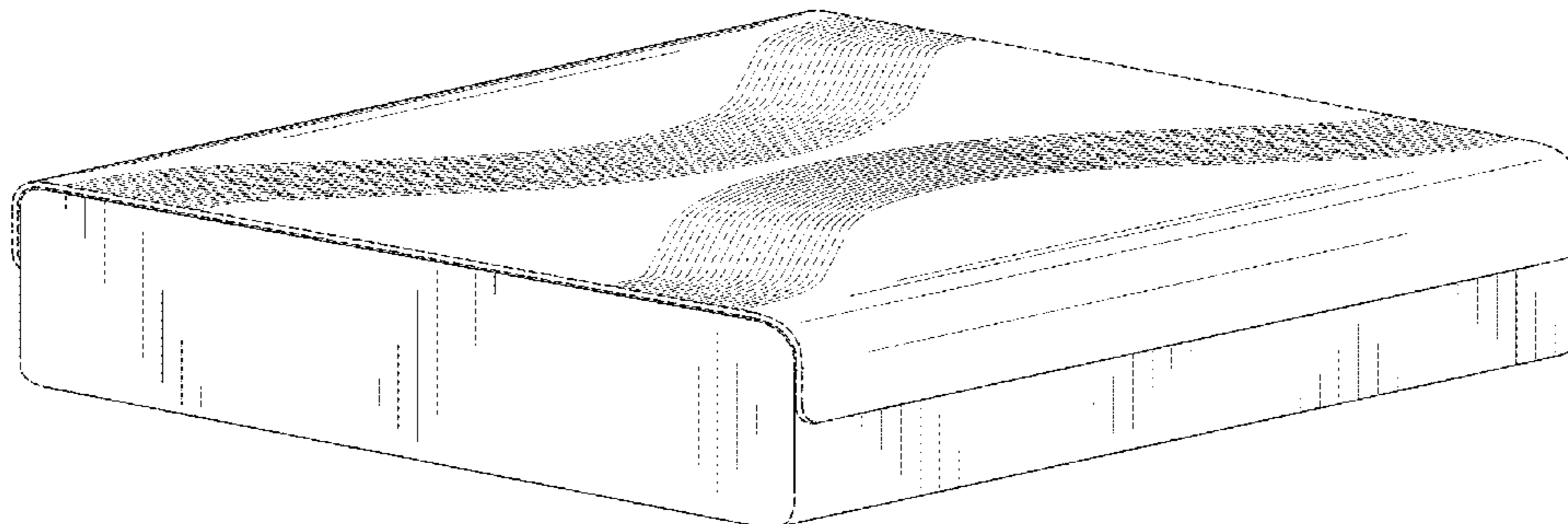




FIG. 1



FIG. 2

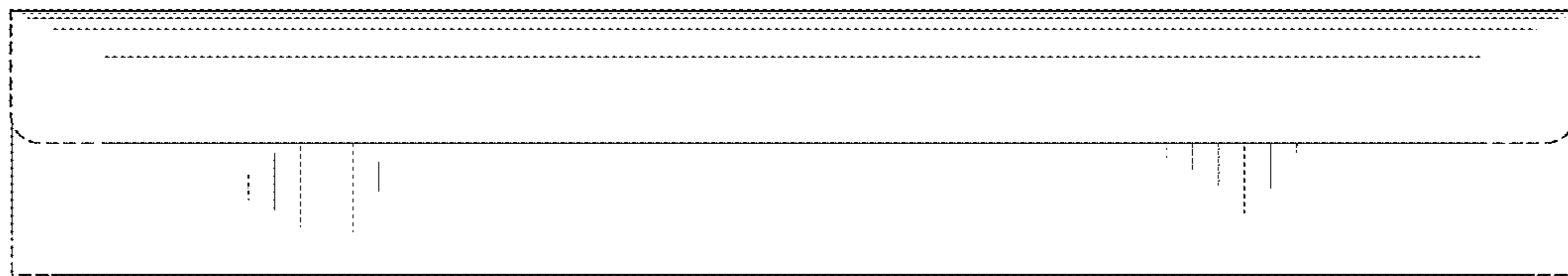


FIG. 3

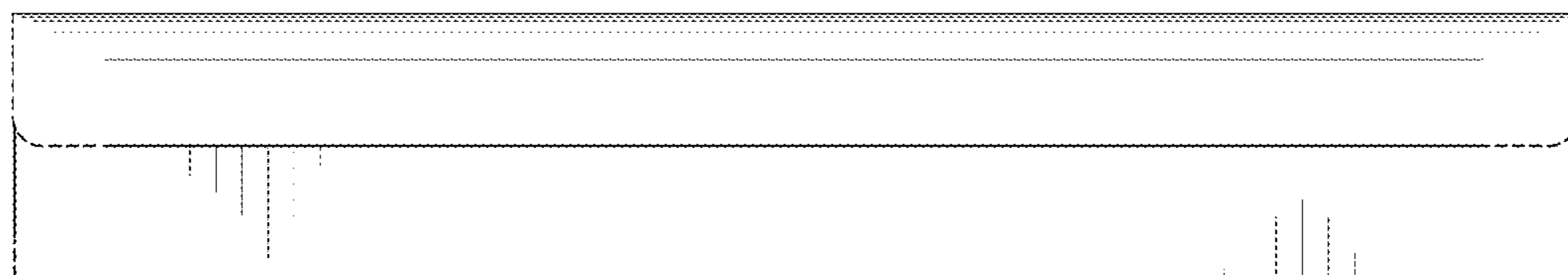


FIG. 4

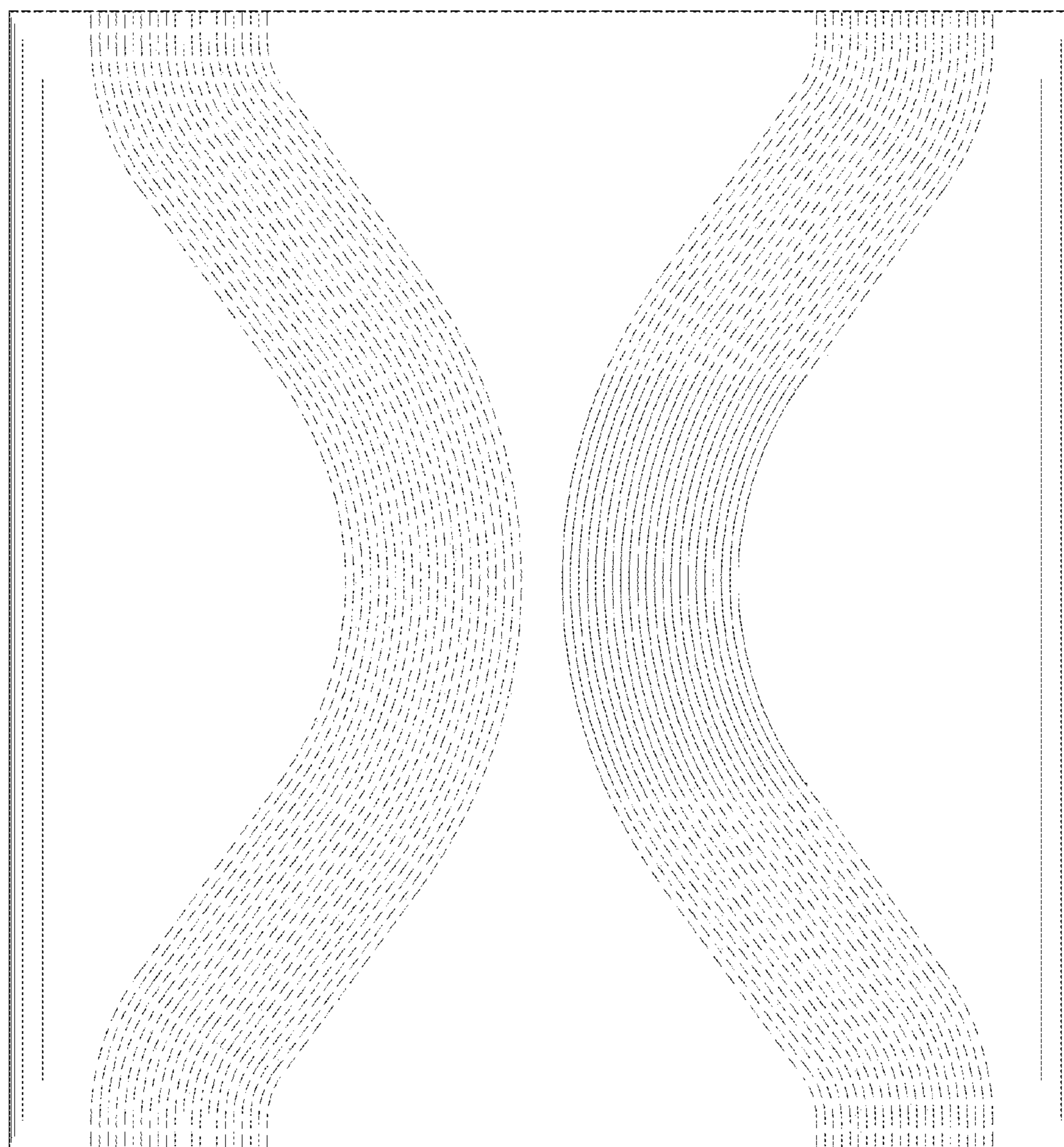


FIG. 5

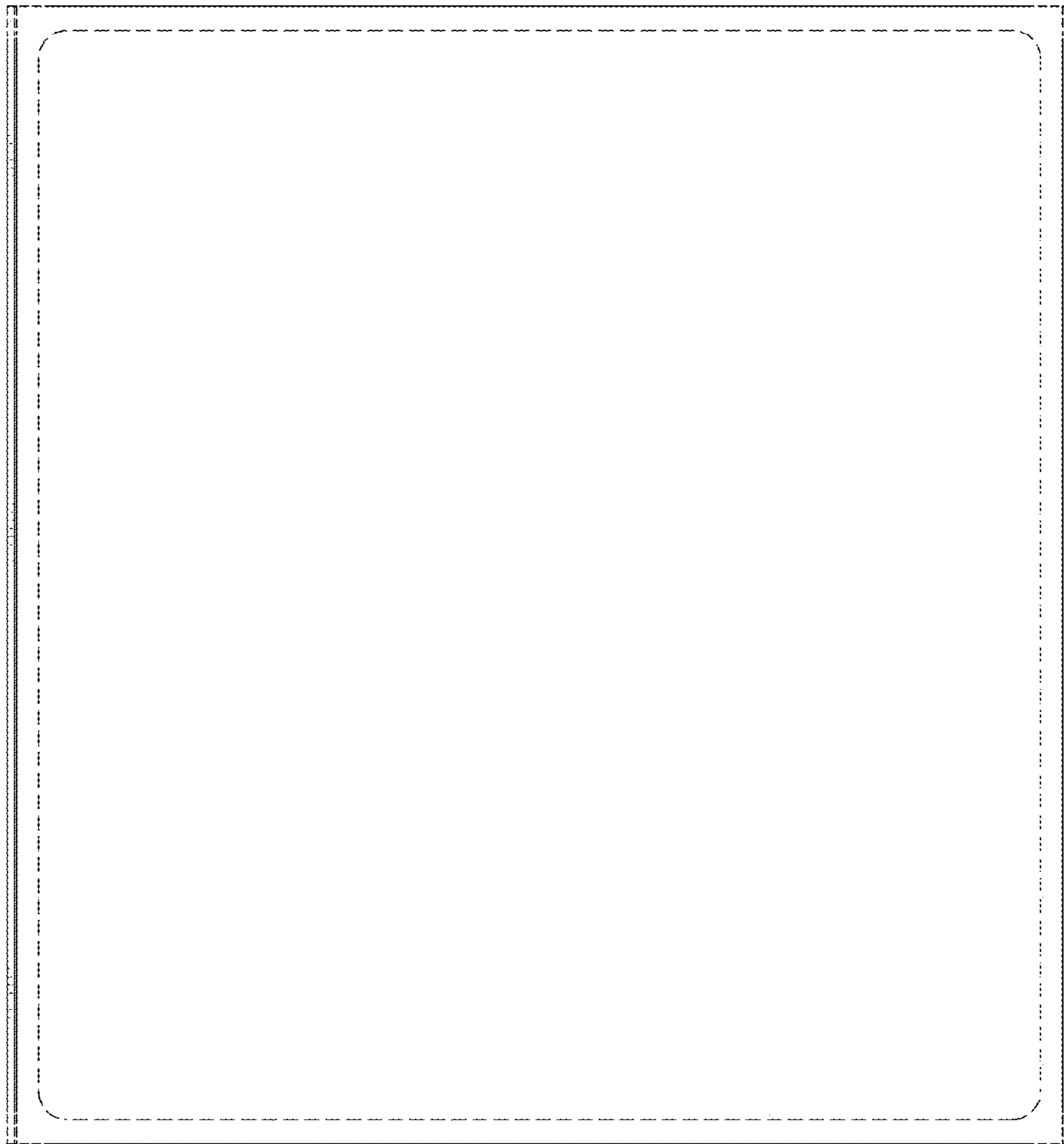


FIG. 6

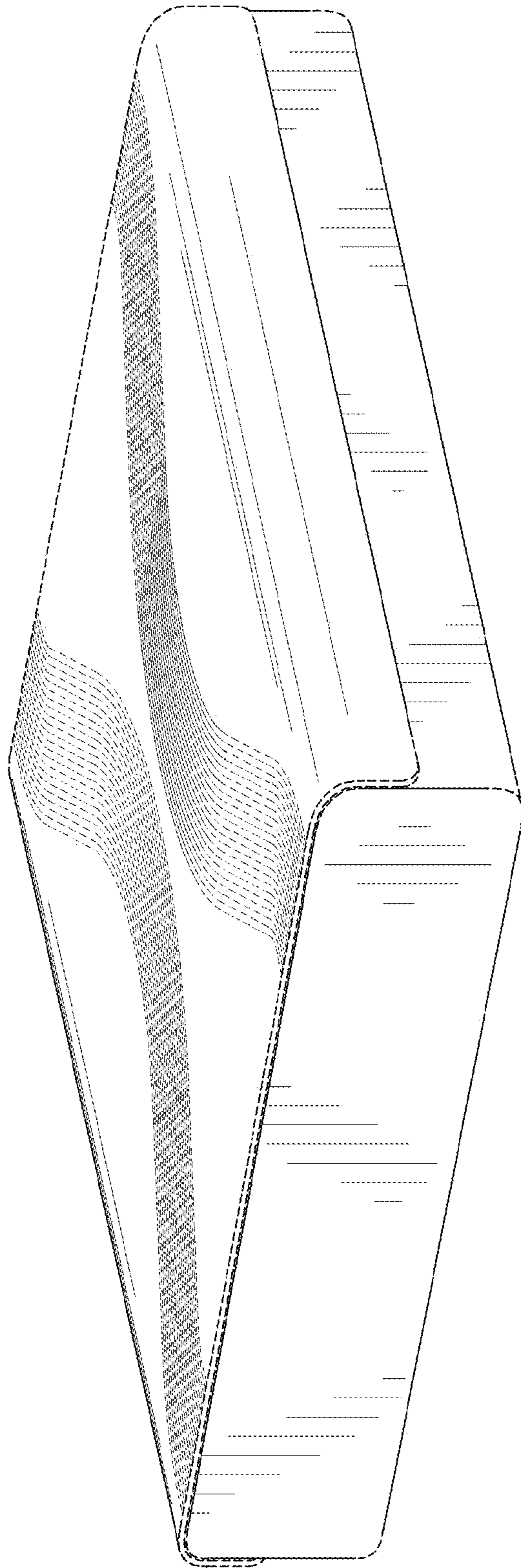


FIG. 7